



US00D838889S

(12) **United States Design Patent**
Liu

(10) **Patent No.:** **US D838,889 S**

(45) **Date of Patent:** **** Jan. 22, 2019**

(54) **WALL LAMP**

(71) Applicant: **Kexian Liu**, Hubei (CN)

(72) Inventor: **Kexian Liu**, Hubei (CN)

(**) Term: **15 Years**

(21) Appl. No.: **29/611,803**

(22) Filed: **Jul. 25, 2017**

(30) **Foreign Application Priority Data**

Jun. 15, 2017 (CN) 2017 3 0245914

(51) **LOC (11) Cl.** **26-03**

(52) **U.S. Cl.**
USPC **D26/63**

(58) **Field of Classification Search**
USPC D26/24, 60-71, 85, 92, 113, 118, 119
CPC F21V 21/14; F21V 15/01; F21V 14/02;
F21V 21/30; F21V 14/00; F21Y
2105/001; F21S 8/00

See application file for complete search history.

(56) **References Cited**

U.S. PATENT DOCUMENTS

4,870,548 A * 9/1989 Beachy F21S 8/081
362/145
D316,303 S * 4/1991 Layne D26/63

D333,529 S * 2/1993 Denison D26/63
D641,904 S * 7/2011 Winstanley D26/63
D713,080 S * 9/2014 Giaffreda D26/65
D798,484 S * 9/2017 Lentine D26/63
D799,730 S * 10/2017 Jadhav D26/63
D814,090 S * 3/2018 Deng D26/63

* cited by examiner

Primary Examiner — Brian N. Vinson

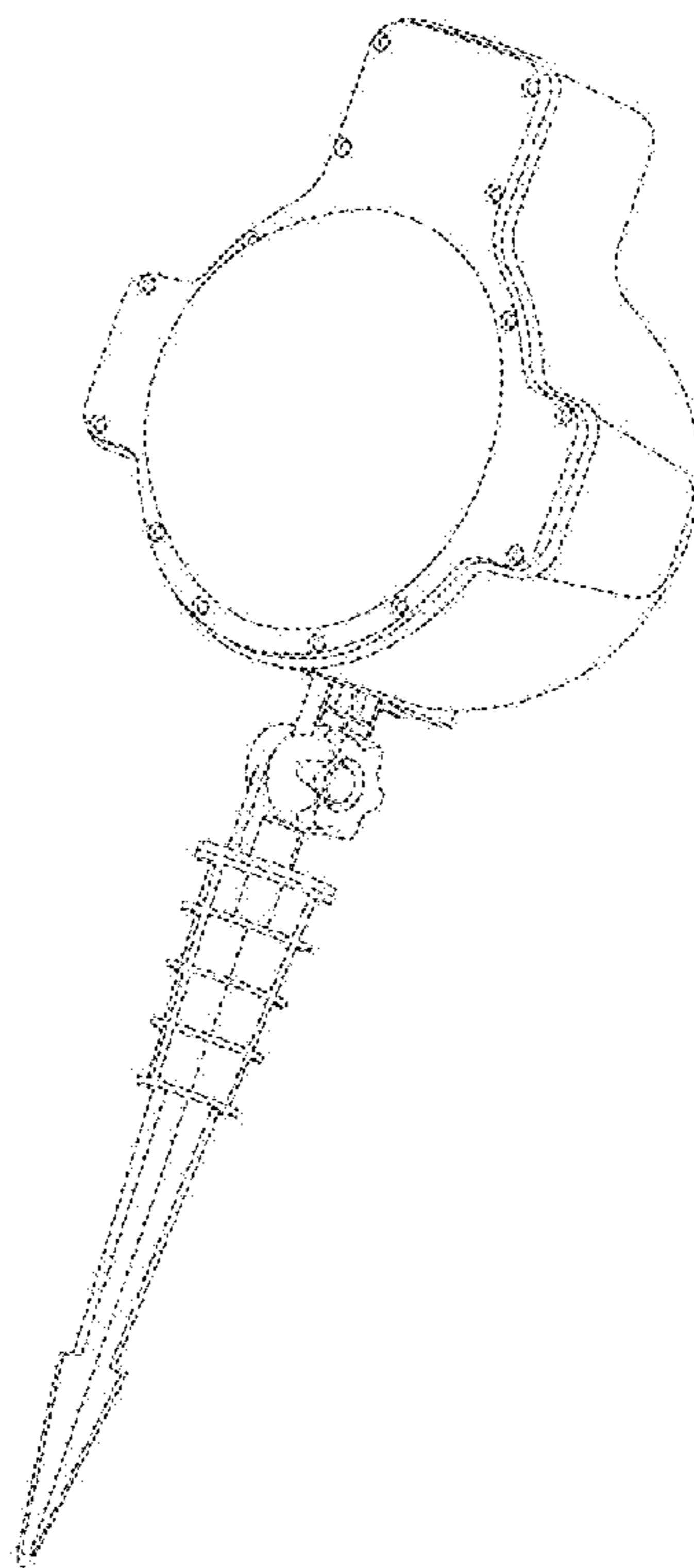
(57) **CLAIM**

The ornamental design for wall lamp, as shown and described.

DESCRIPTION

FIG. 1 is a perspective view of wall lamp showing my new design;
FIG. 2 is a front elevational view thereof;
FIG. 3 is a rear elevational view thereof;
FIG. 4 is a left side elevational view thereof;
FIG. 5 is a right side elevational view thereof;
FIG. 6 is a top plan view thereof; and,
FIG. 7 is a bottom plan view thereof.

1 Claim, 7 Drawing Sheets



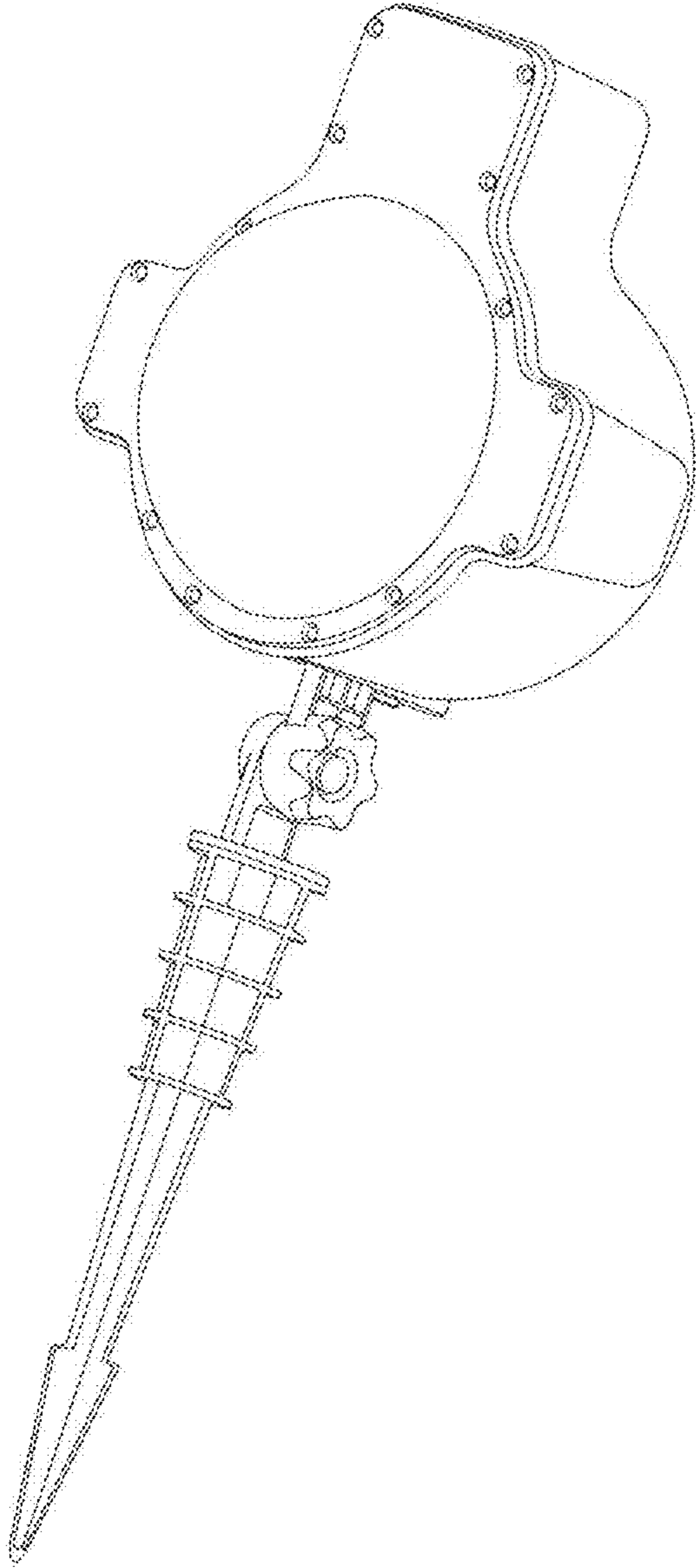


FIG.1

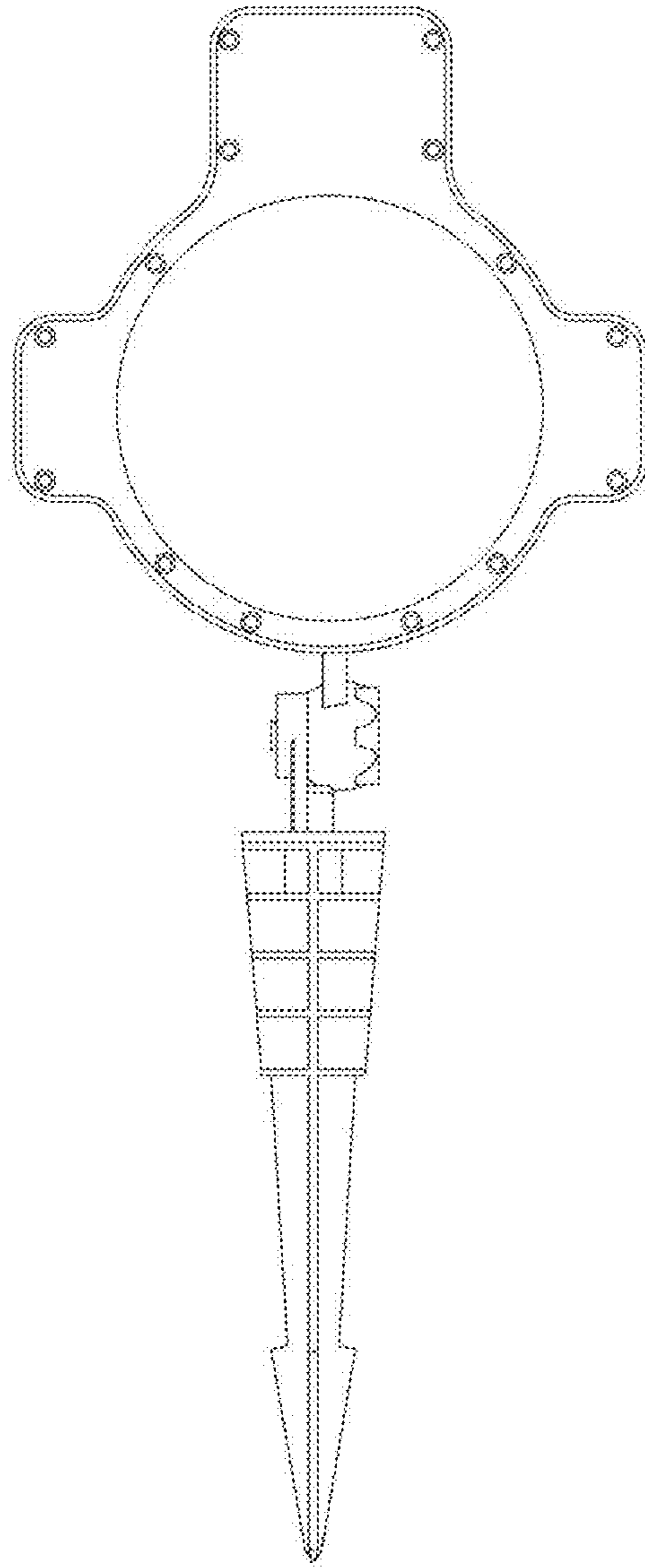


FIG.2

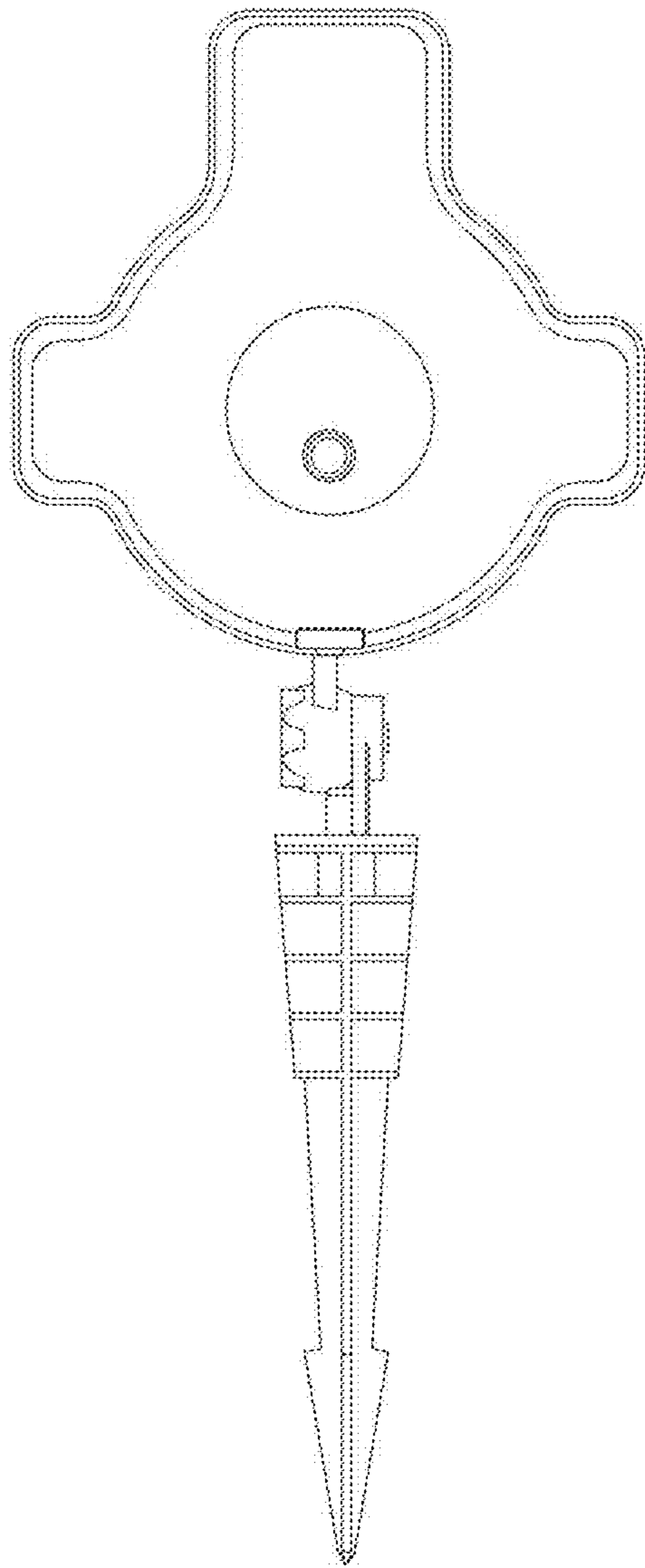


FIG.3

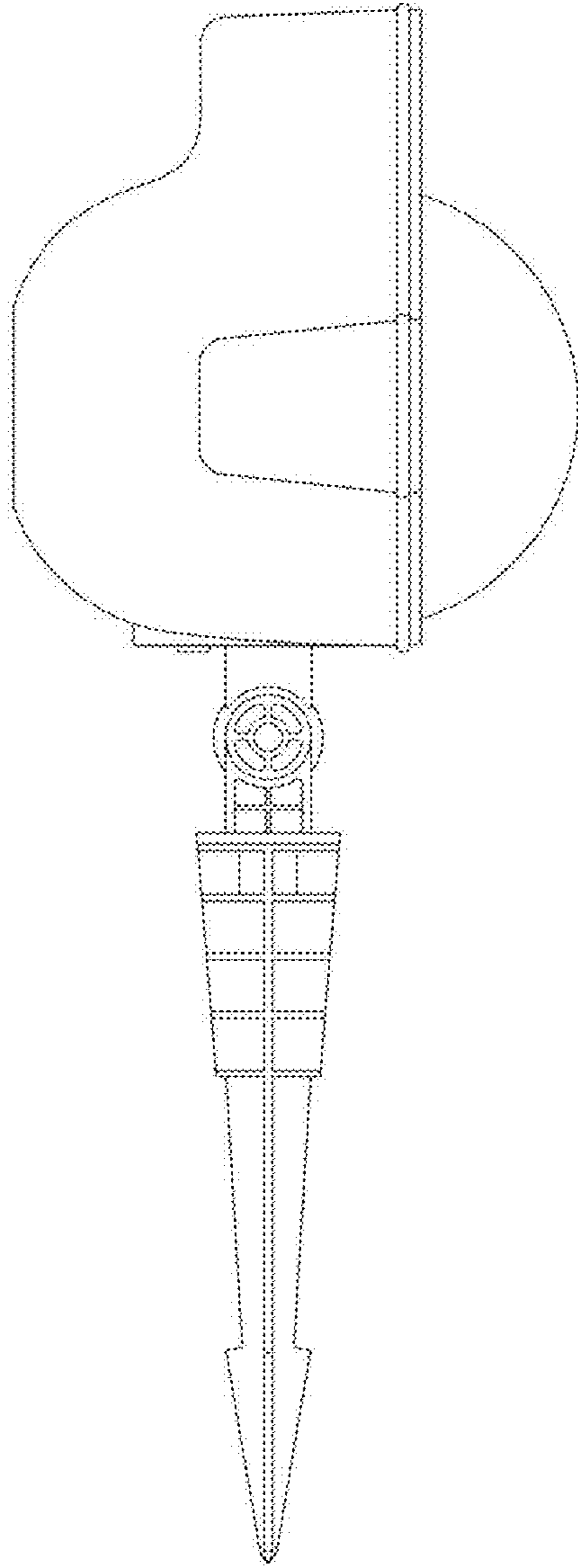


FIG.4

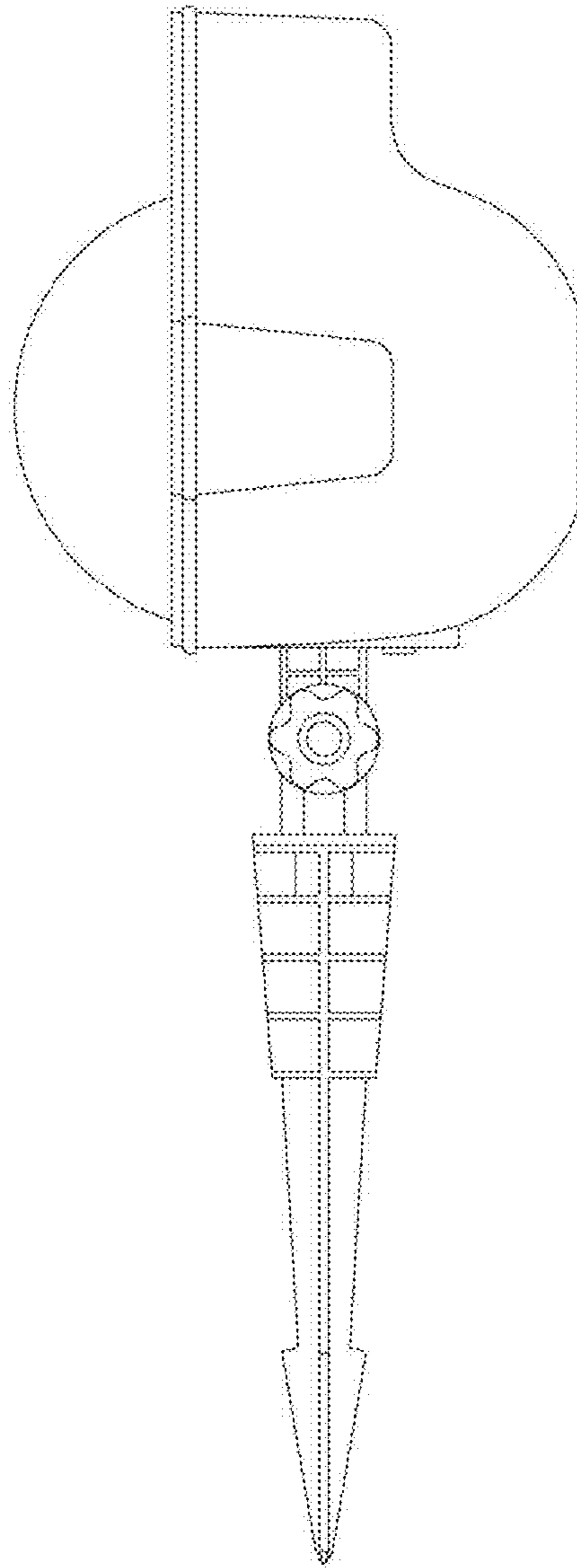


FIG.5

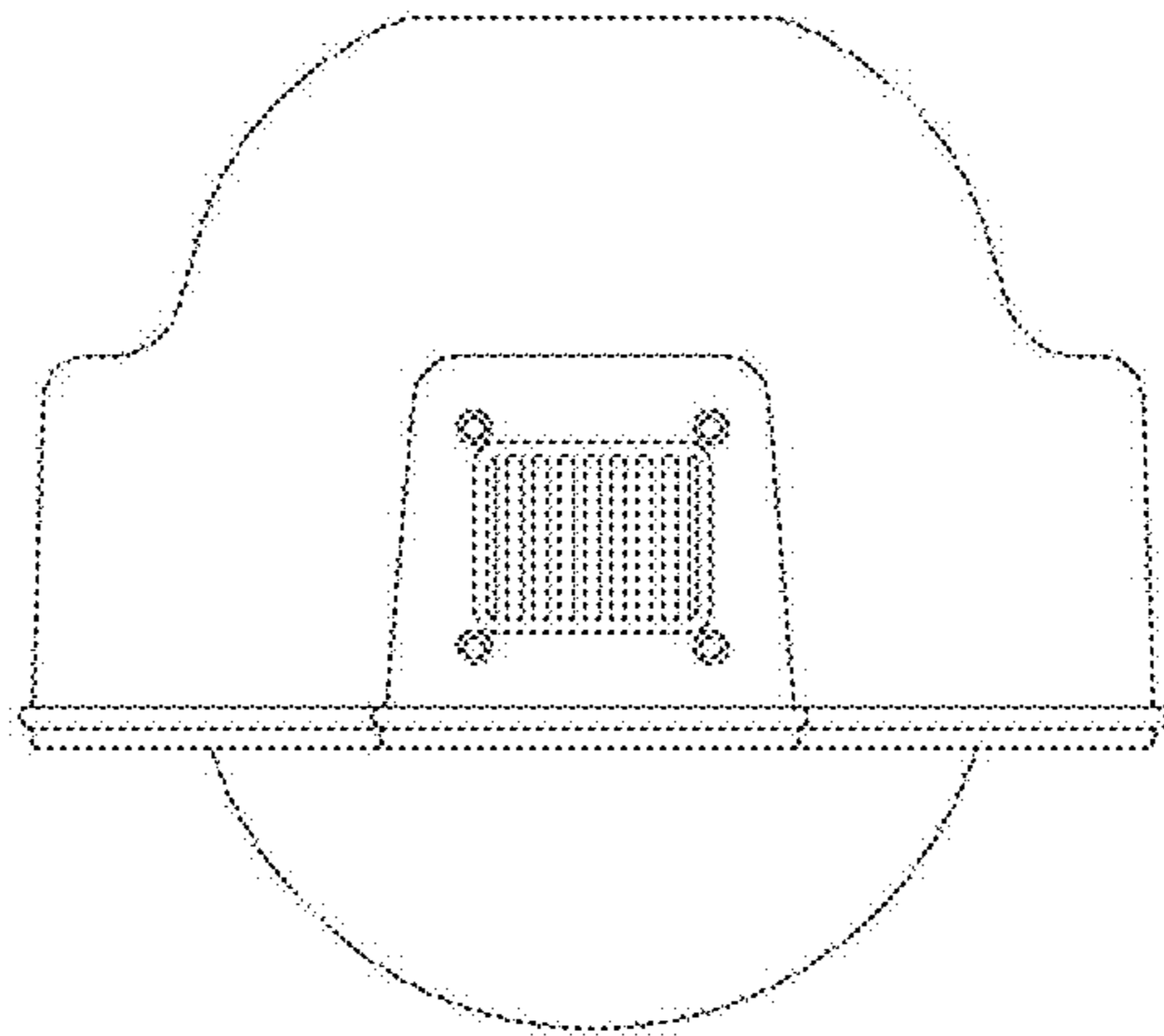


FIG.6

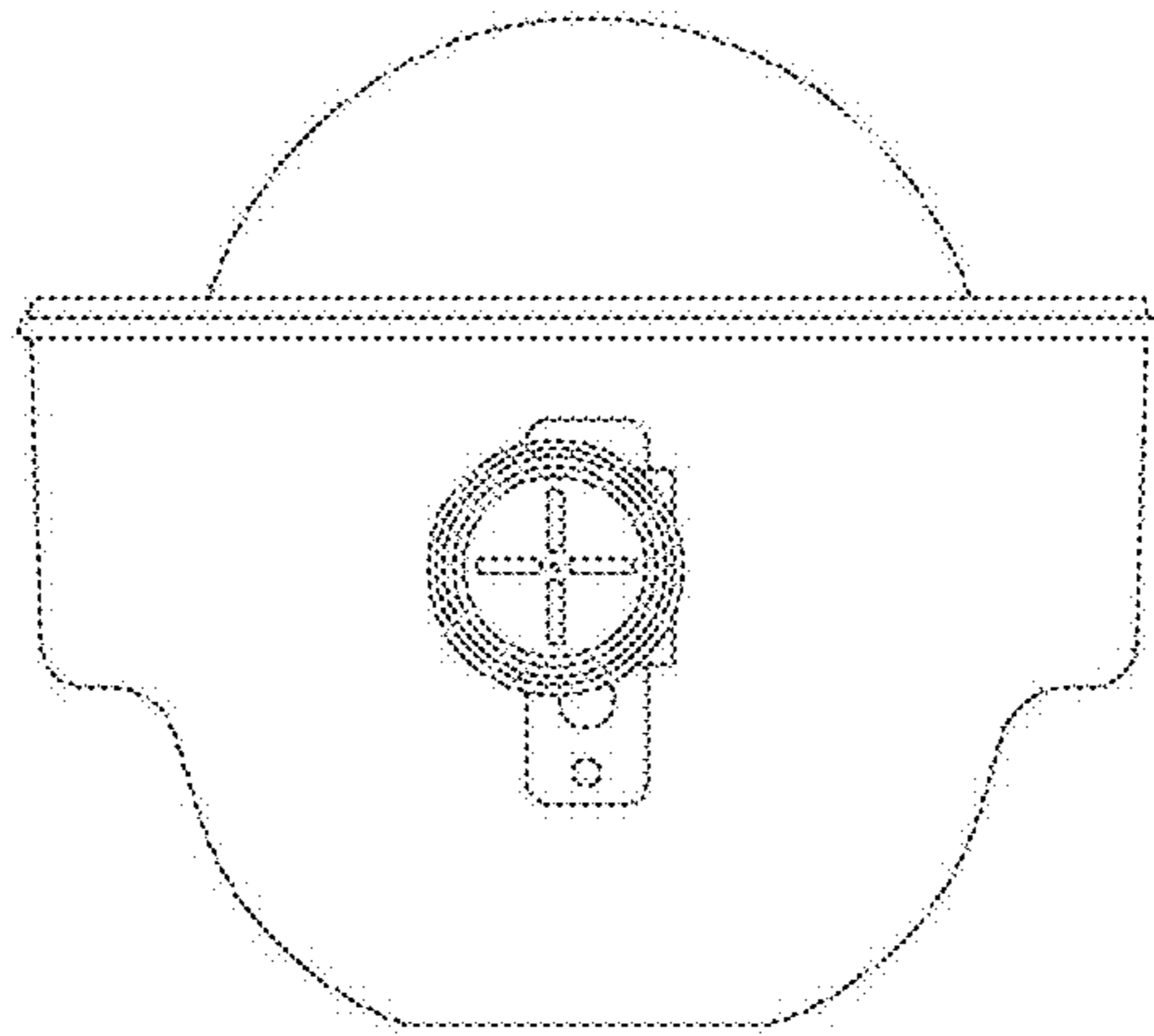


FIG. 7