



US00D838886S

(12) **United States Design Patent**
Chen

(10) **Patent No.:** **US D838,886 S**

(45) **Date of Patent:** **** Jan. 22, 2019**

(54) **BLUETOOTH SPEAKER LAMP**

(71) Applicant: **Guohua Chen**, Zhanjiang (CN)

(72) Inventor: **Guohua Chen**, Zhanjiang (CN)

(**) Term: **15 Years**

(21) Appl. No.: **29/588,926**

(22) Filed: **Dec. 24, 2016**

(30) **Foreign Application Priority Data**

Jun. 28, 2016 (CN) 2016 3 0285273

(51) **LOC (11) Cl.** **26-02**

(52) **U.S. Cl.**
USPC **D26/52**; D26/62; D26/38; D14/204

(58) **Field of Classification Search**
USPC D26/37-52, 61, 62; D14/204, 221
CPC ... H04R 1/2807; H04R 1/281; F21L 2003/00;
F21L 4/00; F21L 4/005; F21L 4/02; F21L
4/025; F21L 4/027; F21L 4/04; F21L
4/08; F21L 2005/00; F21L 7/00; F21L
11/00; F21L 13/00; F21L 13/04; F21L
13/08; F21L 14/02; F21L 17/00; F21L
19/00; F21L 25/00

See application file for complete search history.

(56) **References Cited**

U.S. PATENT DOCUMENTS

D313,666 S * 1/1991 D'Alleva D11/162
6,637,910 B1 * 10/2003 Mehler F21L 4/00
181/141
D524,969 S * 7/2006 Shiu D26/43
D536,116 S * 1/2007 Sharrah D26/43
D544,124 S * 6/2007 Chan D26/43
D590,974 S * 4/2009 Chan D26/52

D596,775 S * 7/2009 Chan D26/52
D600,842 S * 9/2009 Shiu D26/44
D605,321 S * 12/2009 Schupp D26/40
D612,077 S * 3/2010 Bennett, Jr. D26/24
D621,537 S * 8/2010 Borovicka D26/43
D634,870 S * 3/2011 Shen D14/204
D699,875 S * 2/2014 Christianson D26/39
D708,377 S * 7/2014 Osiecki D26/37
D768,597 S * 10/2016 Andre D14/204
D772,457 S * 11/2016 Lee D26/52
D791,379 S * 7/2017 Koshiba D26/37
D792,373 S * 7/2017 Flowers D14/204
D808,051 S * 1/2018 Reiner D26/41
D813,191 S * 3/2018 Pignotti D14/204

* cited by examiner

Primary Examiner — Lakiya G Rogers

Assistant Examiner — Carissa C Fitts

(74) *Attorney, Agent, or Firm* — Hemisphere Law, PLLC;
Zhigang Ma

(57) **CLAIM**

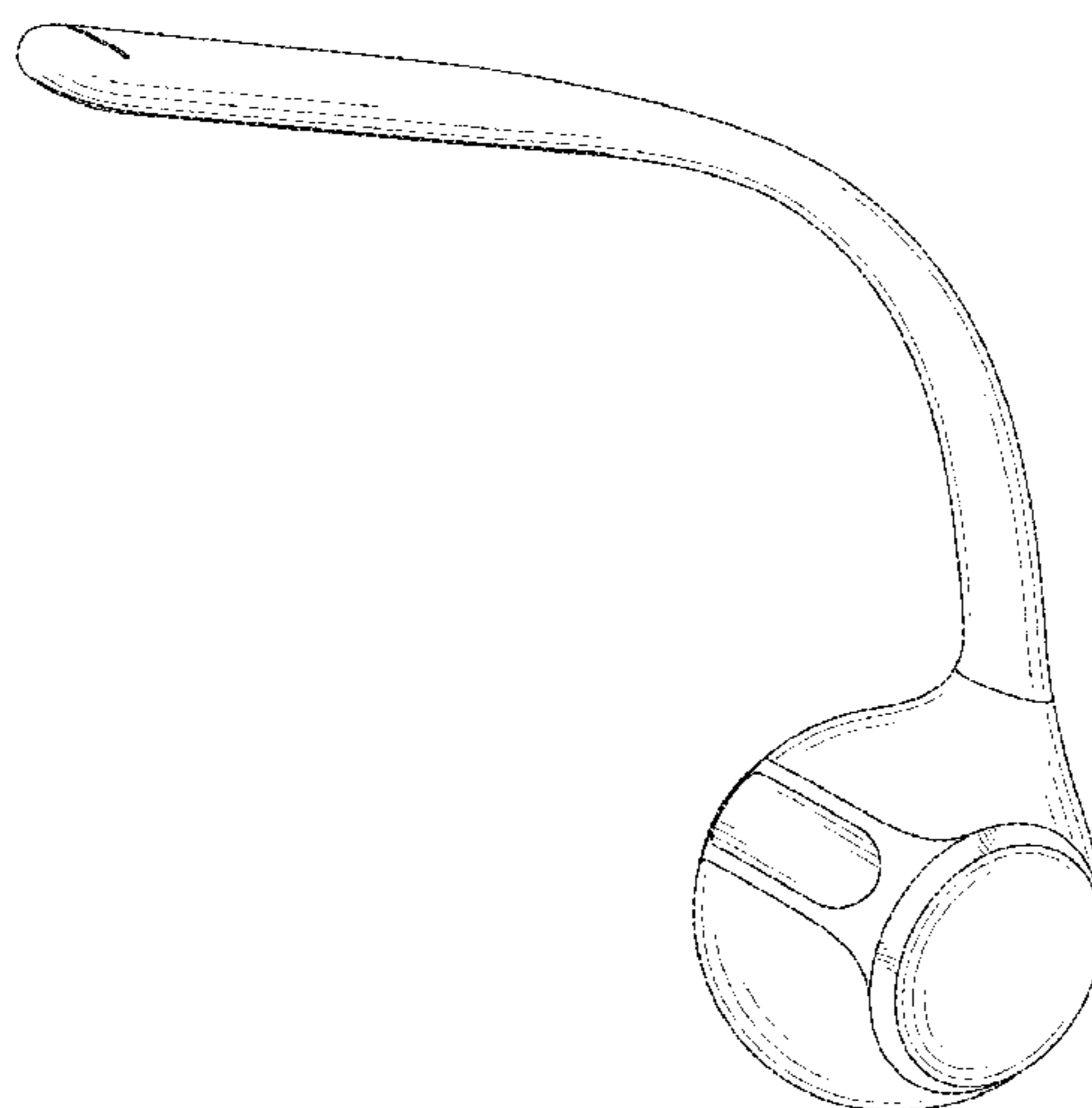
The ornamental design for a bluetooth speaker lamp, as shown and described.

DESCRIPTION

FIG. 1 is a perspective view of a bluetooth speaker lamp showing my new design;
FIG. 2 is a front elevational view thereof;
FIG. 3 is a rear elevational view thereof;
FIG. 4 is a left side elevational view thereof;
FIG. 5 is a right side elevational view thereof;
FIG. 6 is a top plan view thereof; and,
FIG. 7 is a bottom plan view thereof.

The broken lines are for illustrating unclaimed portions of the bluetooth speaker lamp or environmental structures, the broken lines form no part of the claimed design.

1 Claim, 7 Drawing Sheets



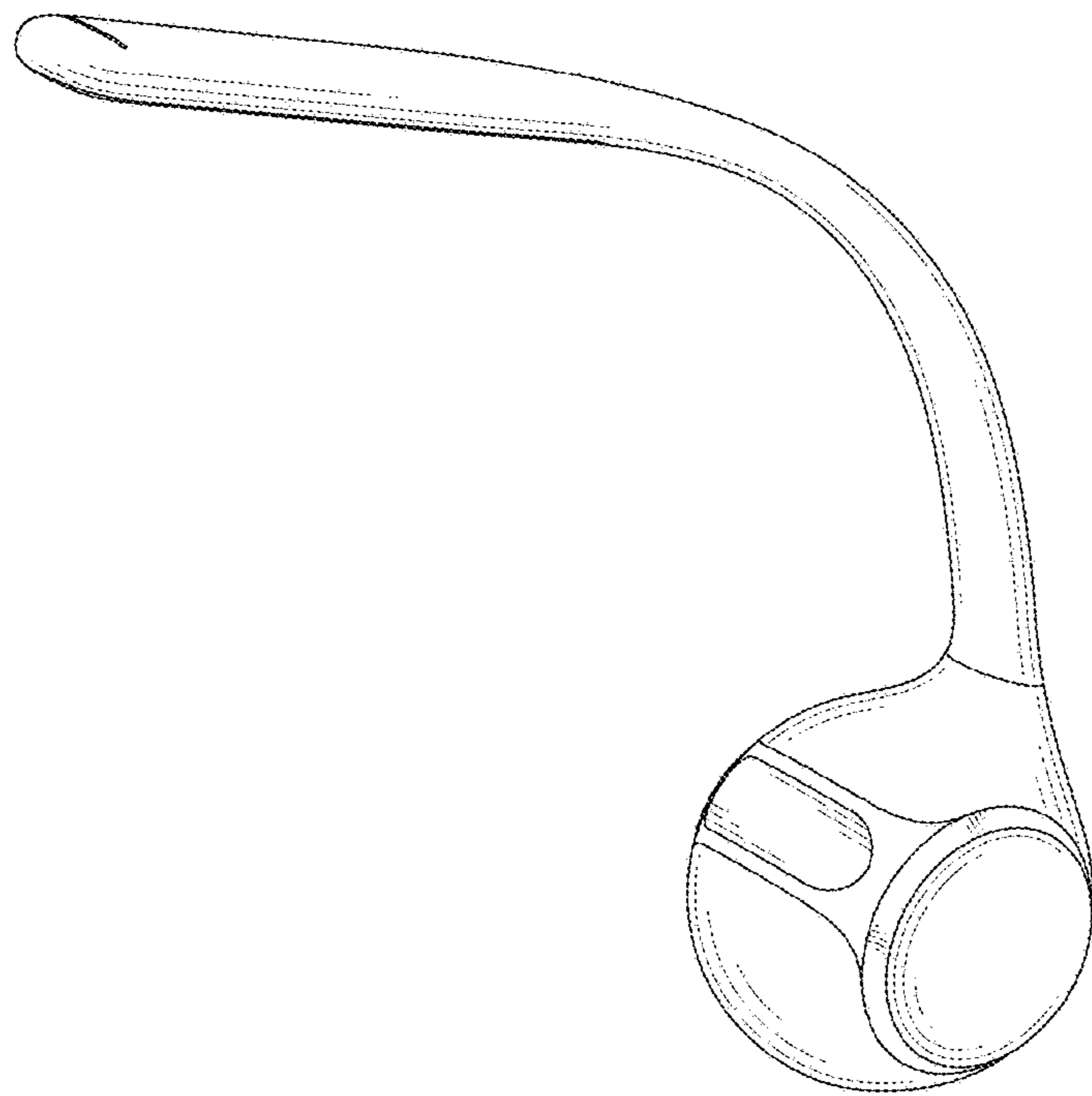


FIG. 1

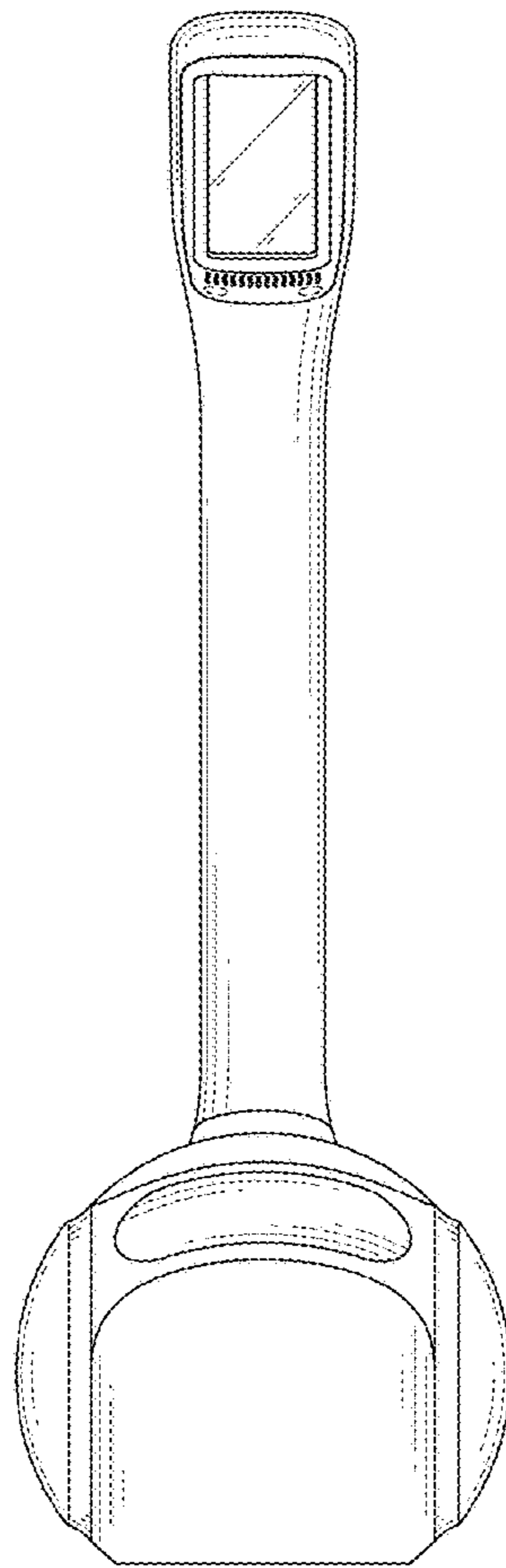


FIG. 2

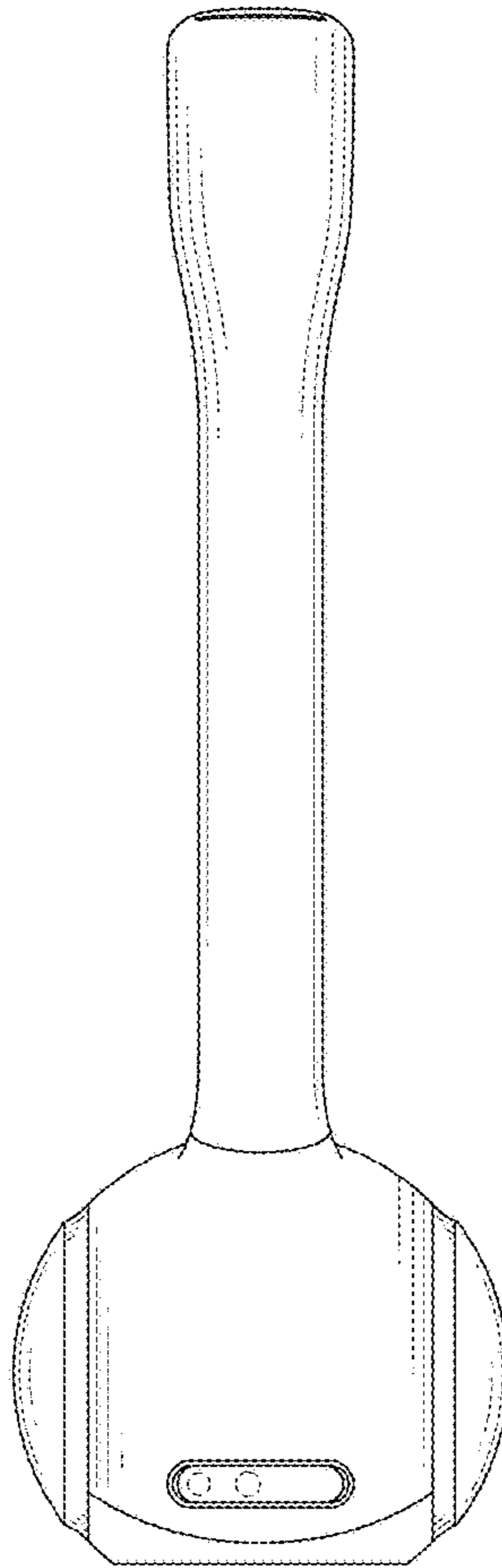


FIG. 3

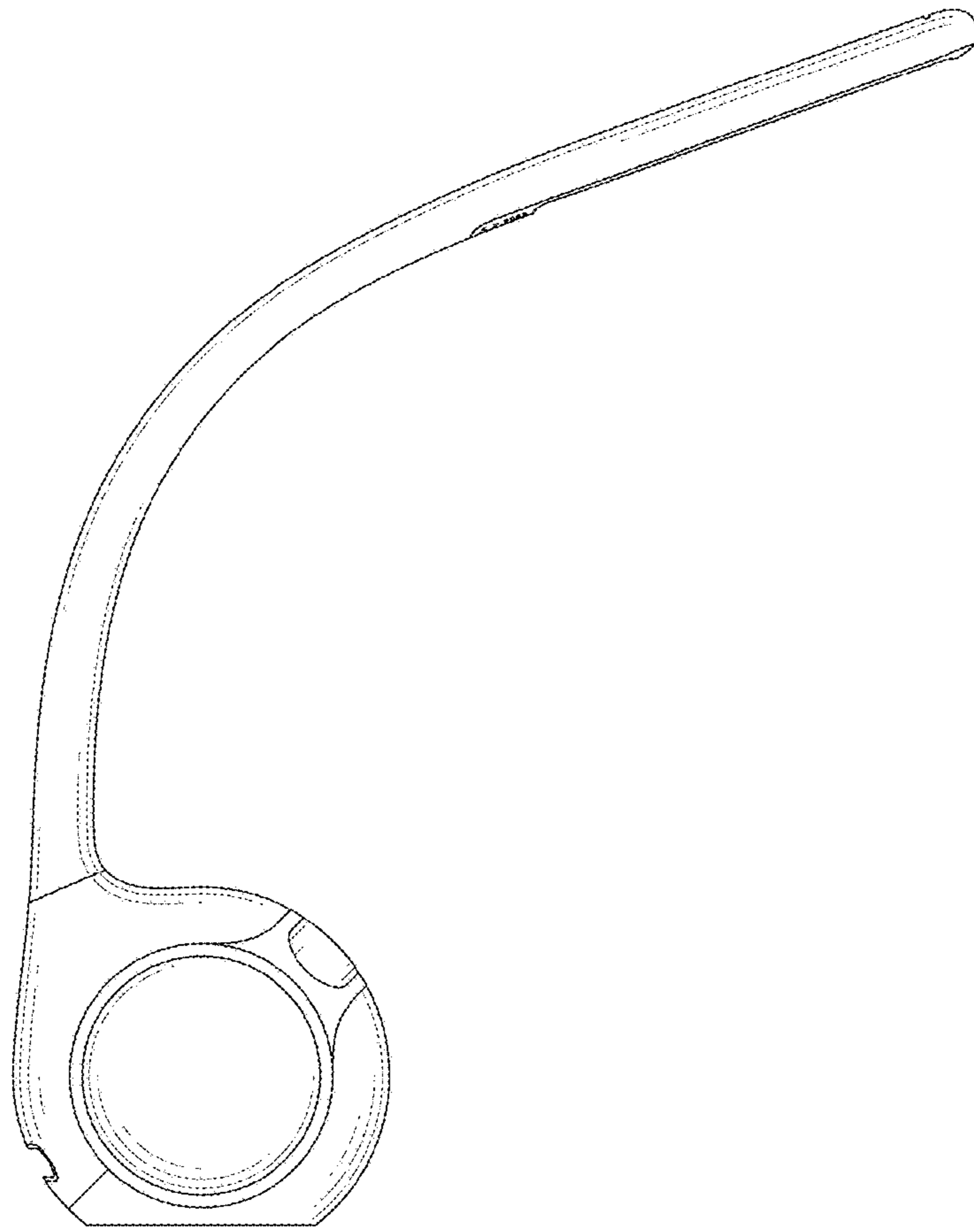


FIG. 4

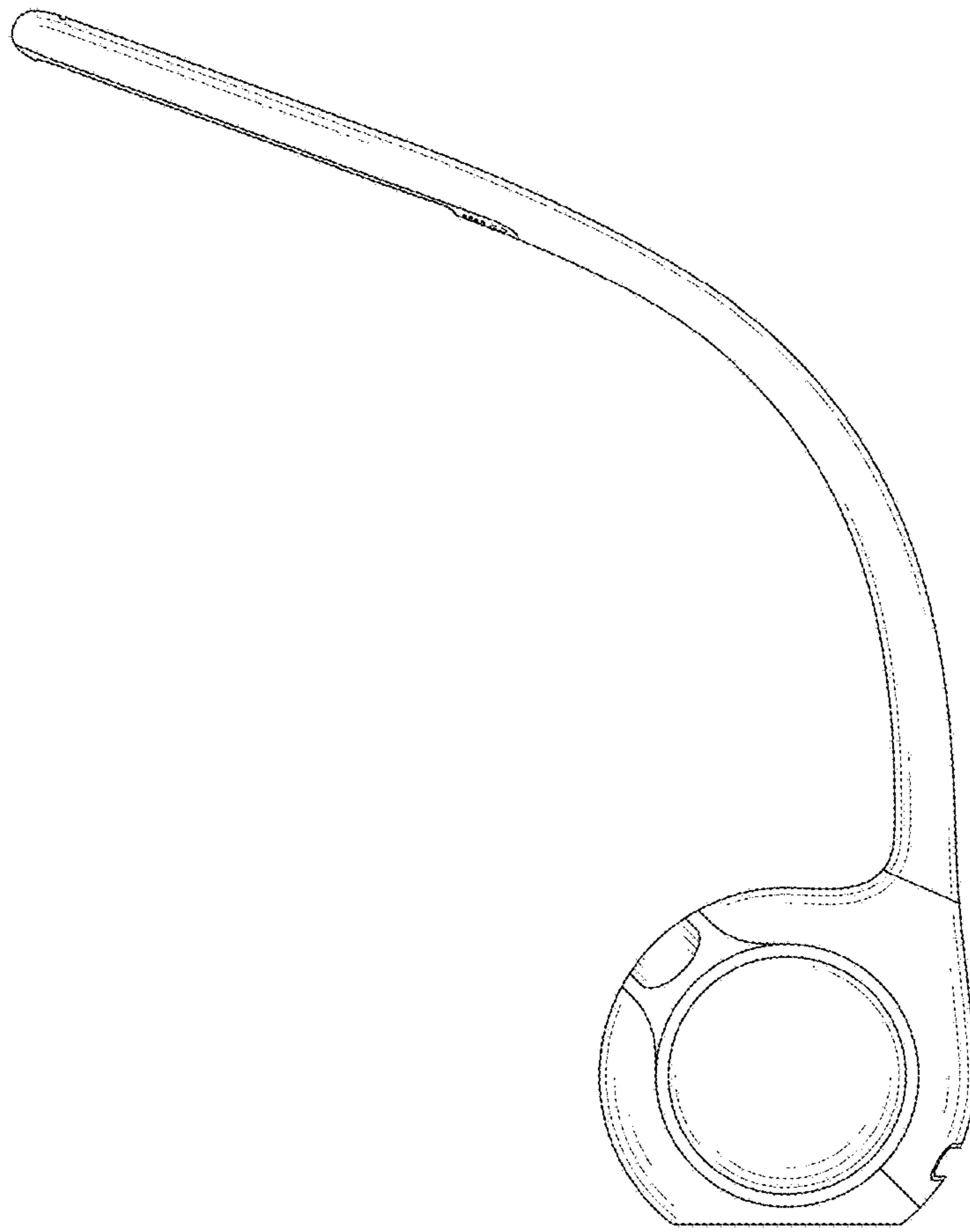


FIG. 5

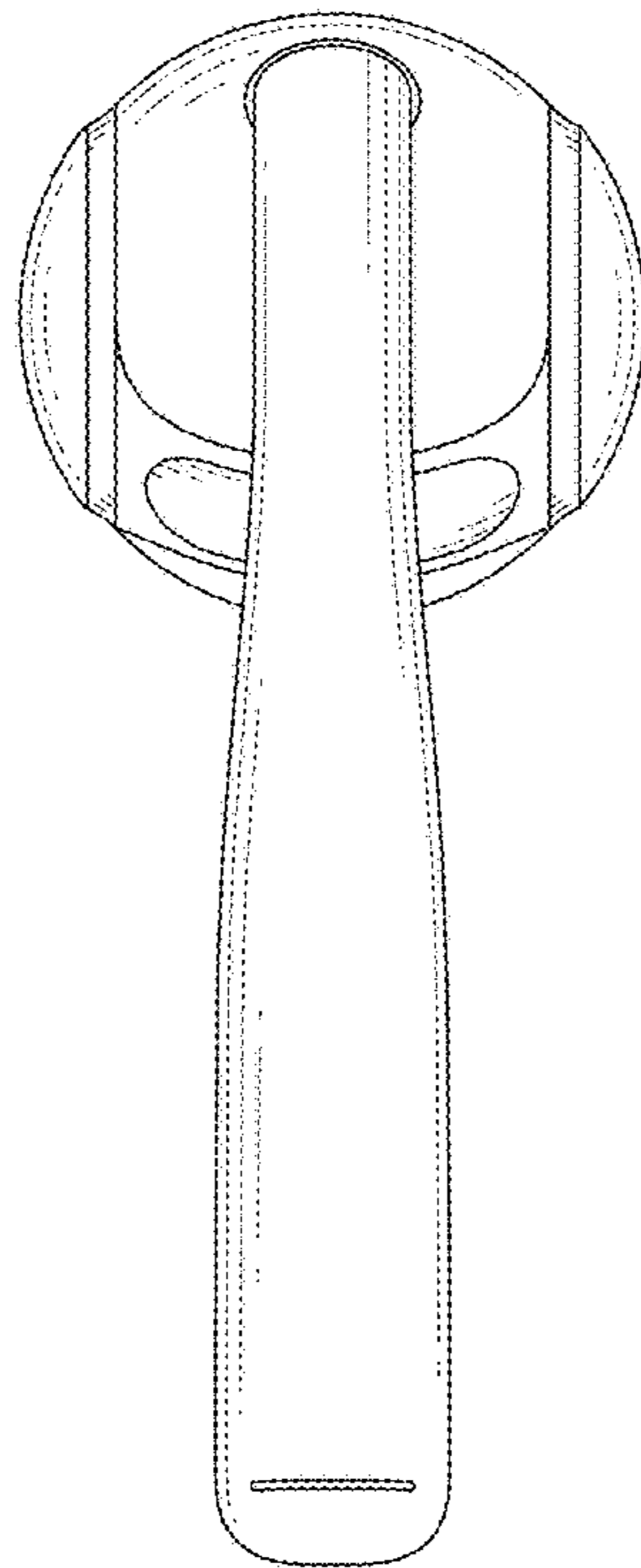


FIG. 6

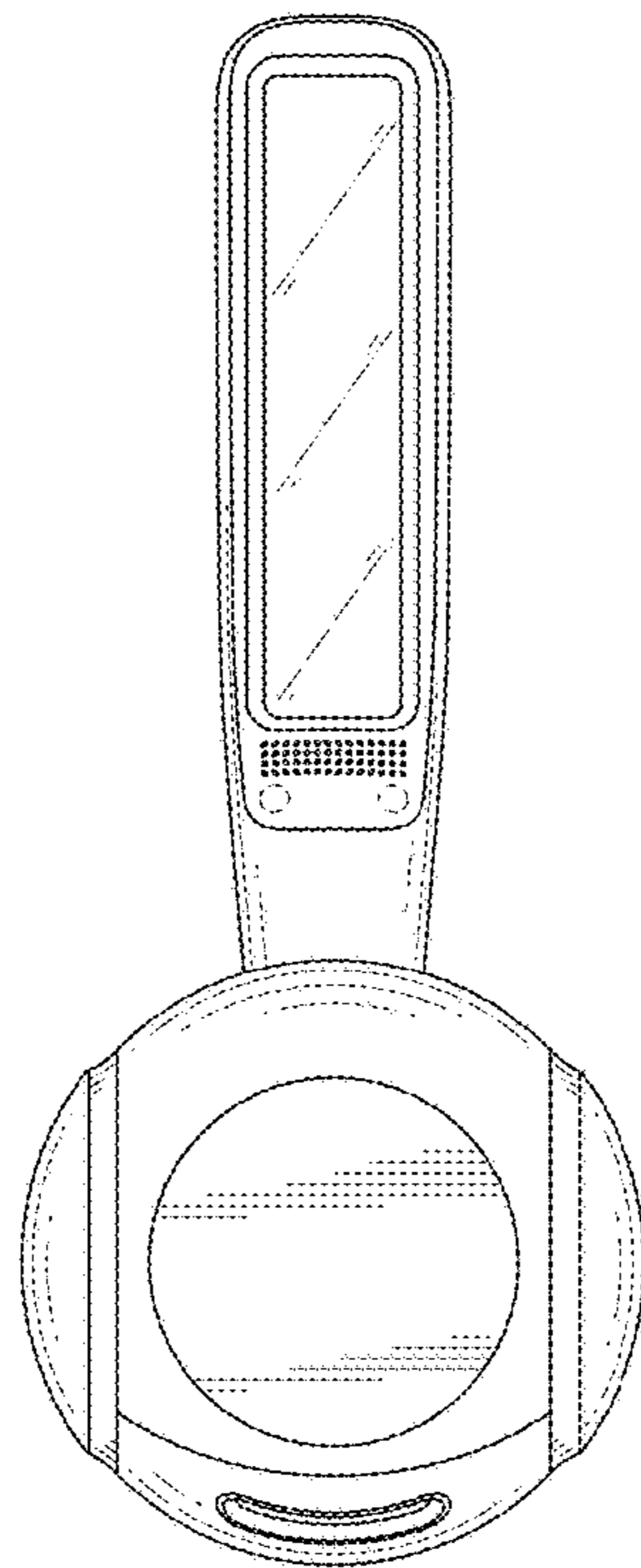


FIG. 7