



US00D83885S

(12) **United States Design Patent** (10) **Patent No.:** **US D838,885 S**  
**Liu** (45) **Date of Patent:** **\*\* Jan. 22, 2019**

(54) **CAMPING LANTERN**  
(71) Applicant: **Huicheng Liu**, Guangdong (CN)  
(72) Inventor: **Huicheng Liu**, Guangdong (CN)  
(\*\*) Term: **15 Years**  
(21) Appl. No.: **29/613,116**  
(22) Filed: **Aug. 8, 2017**  
(51) **LOC (11) Cl.** ..... **26-02**  
(52) **U.S. Cl.**  
USPC ..... **D26/40**  
(58) **Field of Classification Search**  
USPC ..... D26/37-51  
CPC ..... F21L 2003/00; F21L 4/00; F21L 4/005;  
F21L 4/02; F21L 4/025; F21L 4/027;  
F21L 4/04; F21L 4/08; F21L 2005/00;  
F21L 7/00; F21L 11/00; F21L 13/00;  
F21L 13/04; F21L 13/08; F21L 14/02;  
F21L 17/00; F21L 19/00; F21L 25/00  
See application file for complete search history.

(56) **References Cited**  
U.S. PATENT DOCUMENTS  
D529,647 S \* 10/2006 Shiu ..... D26/40  
D535,419 S \* 1/2007 Shiu ..... D26/40  
D537,967 S \* 3/2007 Lo ..... D26/40  
D538,455 S \* 3/2007 Lo ..... D26/40  
D570,510 S \* 6/2008 DeBrunner ..... D26/40  
D608,036 S \* 1/2010 Lee ..... D26/40  
D638,152 S \* 5/2011 Leung ..... D26/40

D650,104 S \* 12/2011 Brands ..... D26/41  
D774,228 S \* 12/2016 Workman ..... D26/41  
D783,872 S \* 4/2017 Aksnes ..... D26/41  
D809,687 S \* 2/2018 Krantz ..... D26/40  
D810,979 S \* 2/2018 Krantz ..... D26/41  
D818,620 S \* 5/2018 Brown ..... D26/41

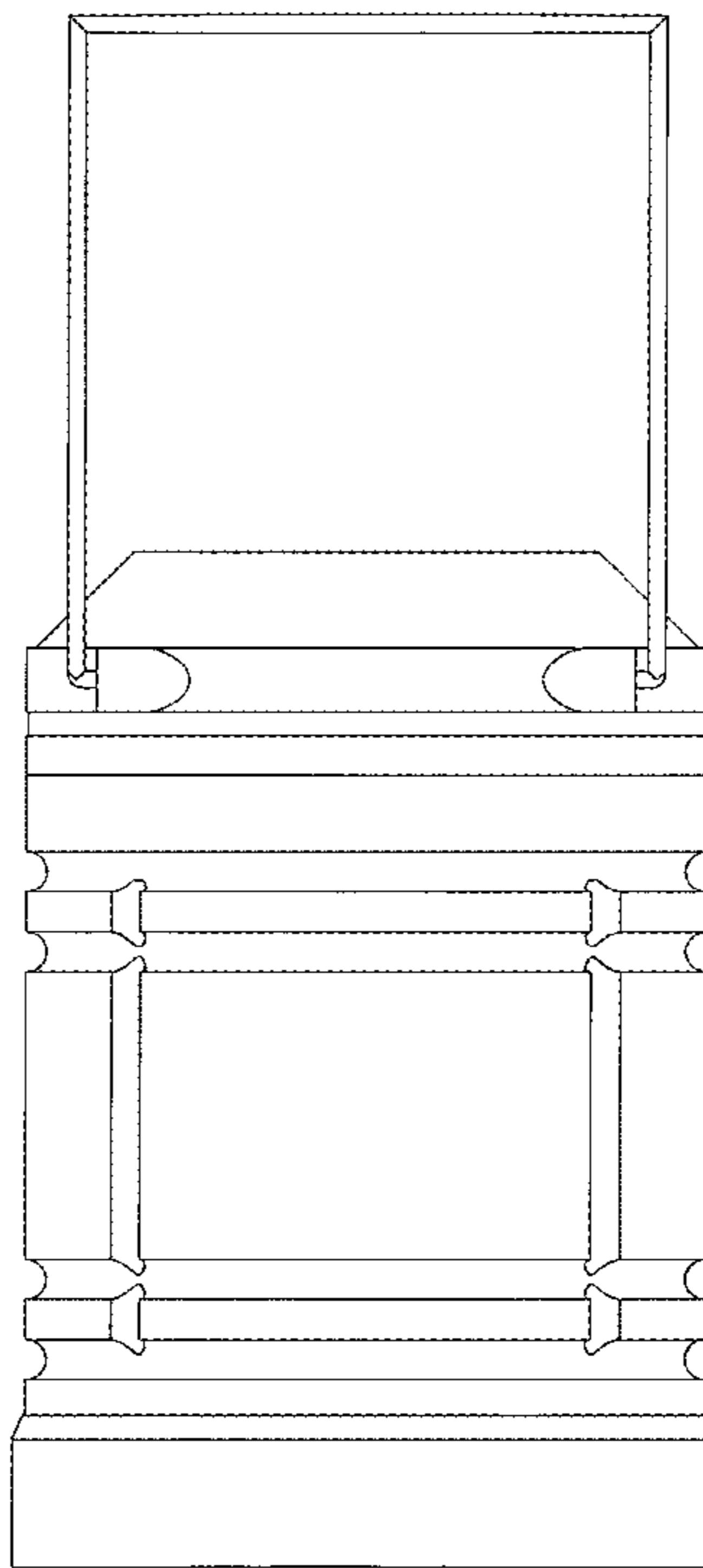
\* cited by examiner

*Primary Examiner* — Brandon M Rosati  
*Assistant Examiner* — Carissa C Fitts

(57) **CLAIM**  
The ornamental design for a camping lantern, as shown.

**DESCRIPTION**  
FIG. 1 is a front elevational view of a camping lantern showing my new design;  
FIG. 2 is a left side view thereof;  
FIG. 3 is a top plan view thereof;  
FIG. 4 is a perspective view thereof;  
FIG. 5 is a second perspective view thereof;  
FIG. 6 is a third perspective view thereof;  
FIG. 7 is a perspective view thereof with the handles in an alternative position;  
FIG. 8 is a front elevational view with the upper portion pulled up showing the lamp;  
FIG. 9 is a left side view of FIG. 8;  
FIG. 10 is a right side view of FIG. 8;  
FIG. 11 is a top plan view of FIG. 8;  
FIG. 12 is a perspective view of FIG. 8;  
FIG. 13 is a second perspective view of FIG. 8; and,  
FIG. 14 is a third perspective view of FIG. 8.

**1 Claim, 14 Drawing Sheets**



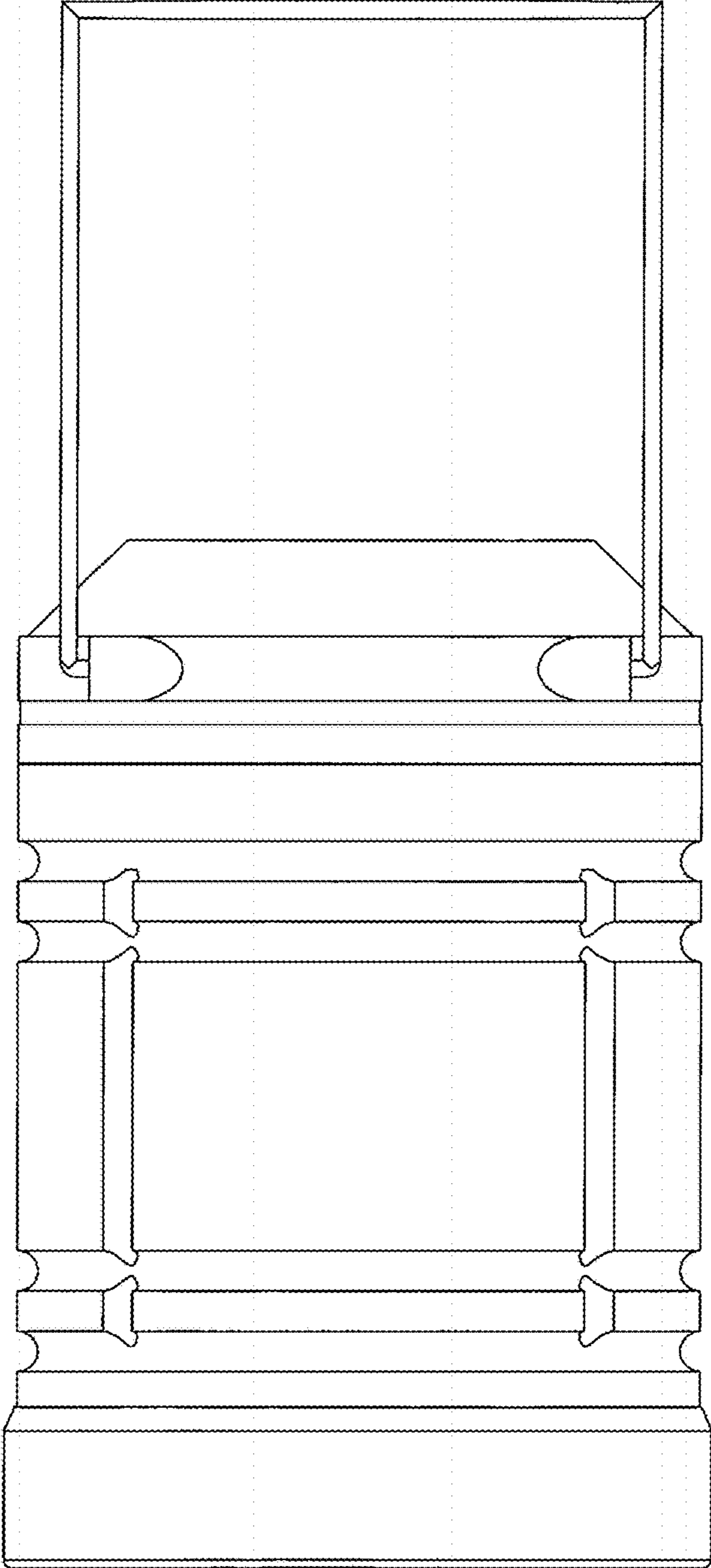


FIG. 1

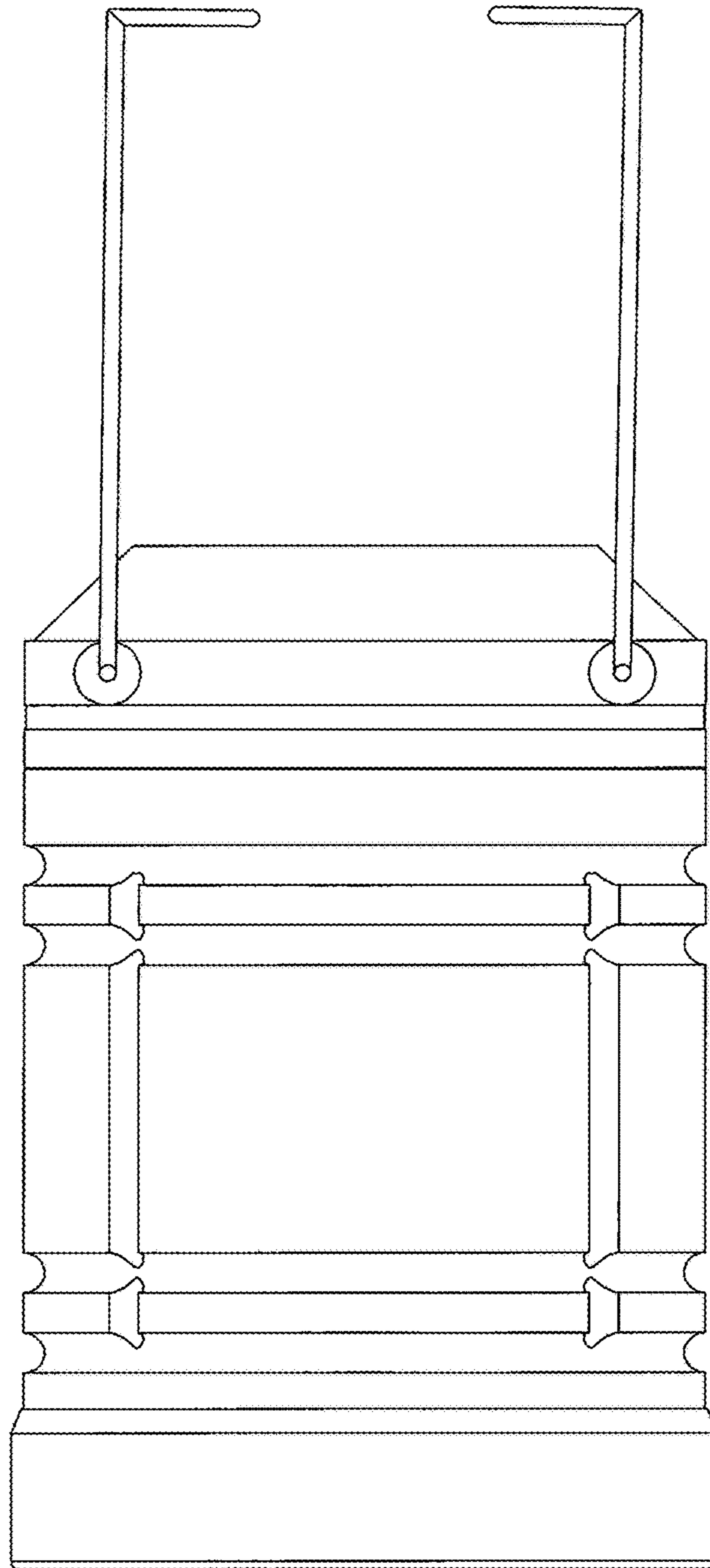


FIG. 2

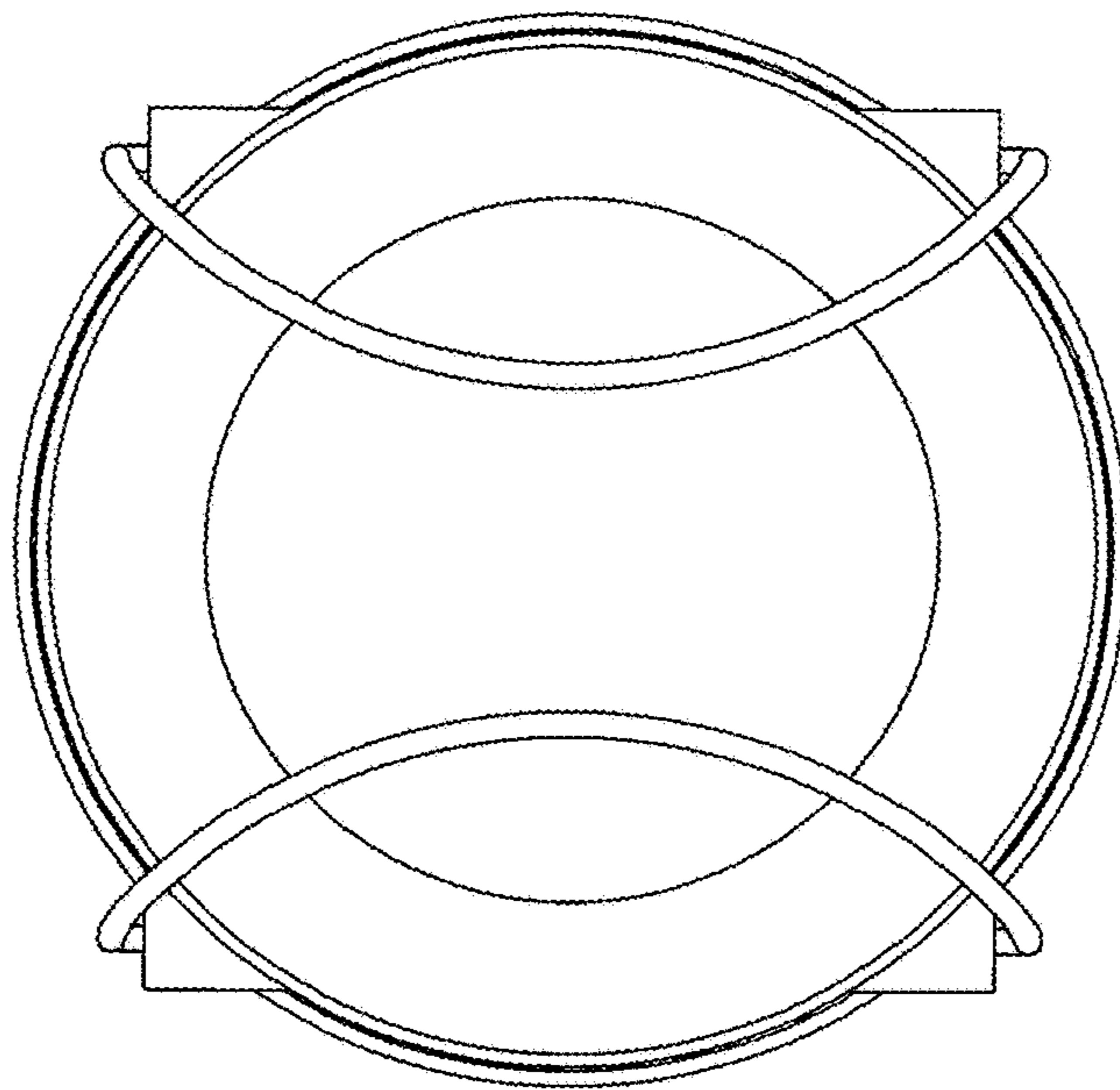


FIG. 3

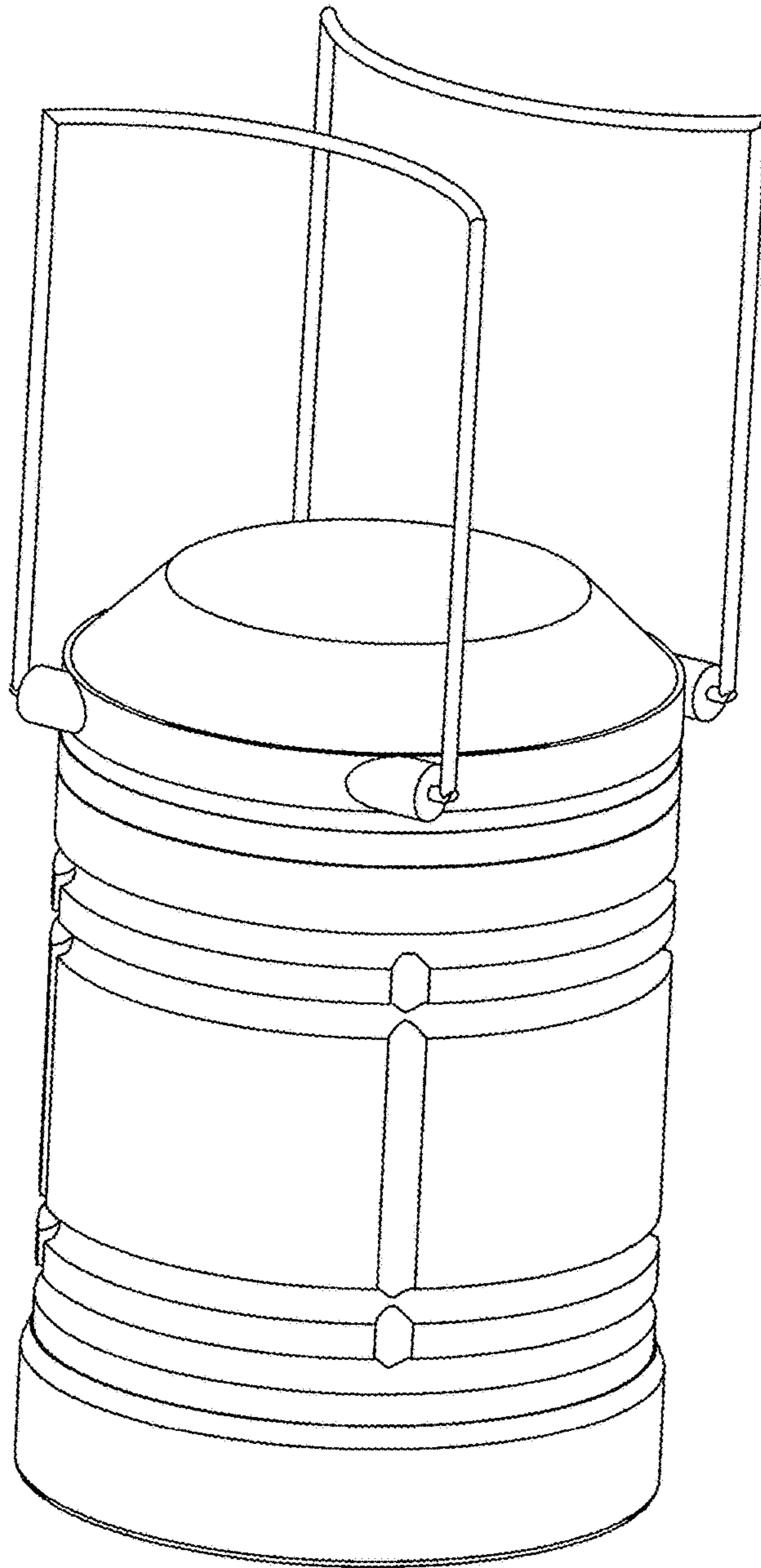


FIG. 4



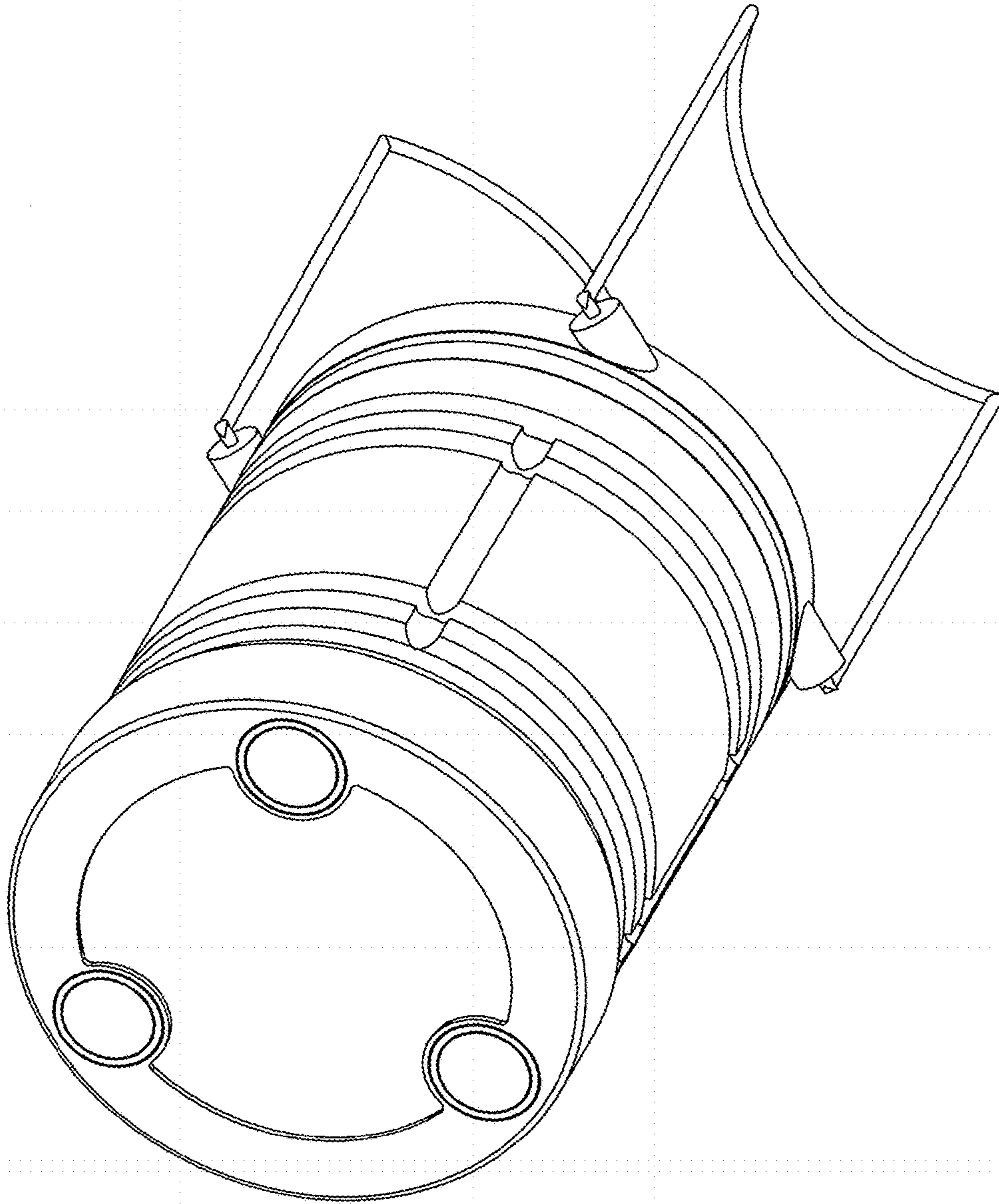


FIG. 5

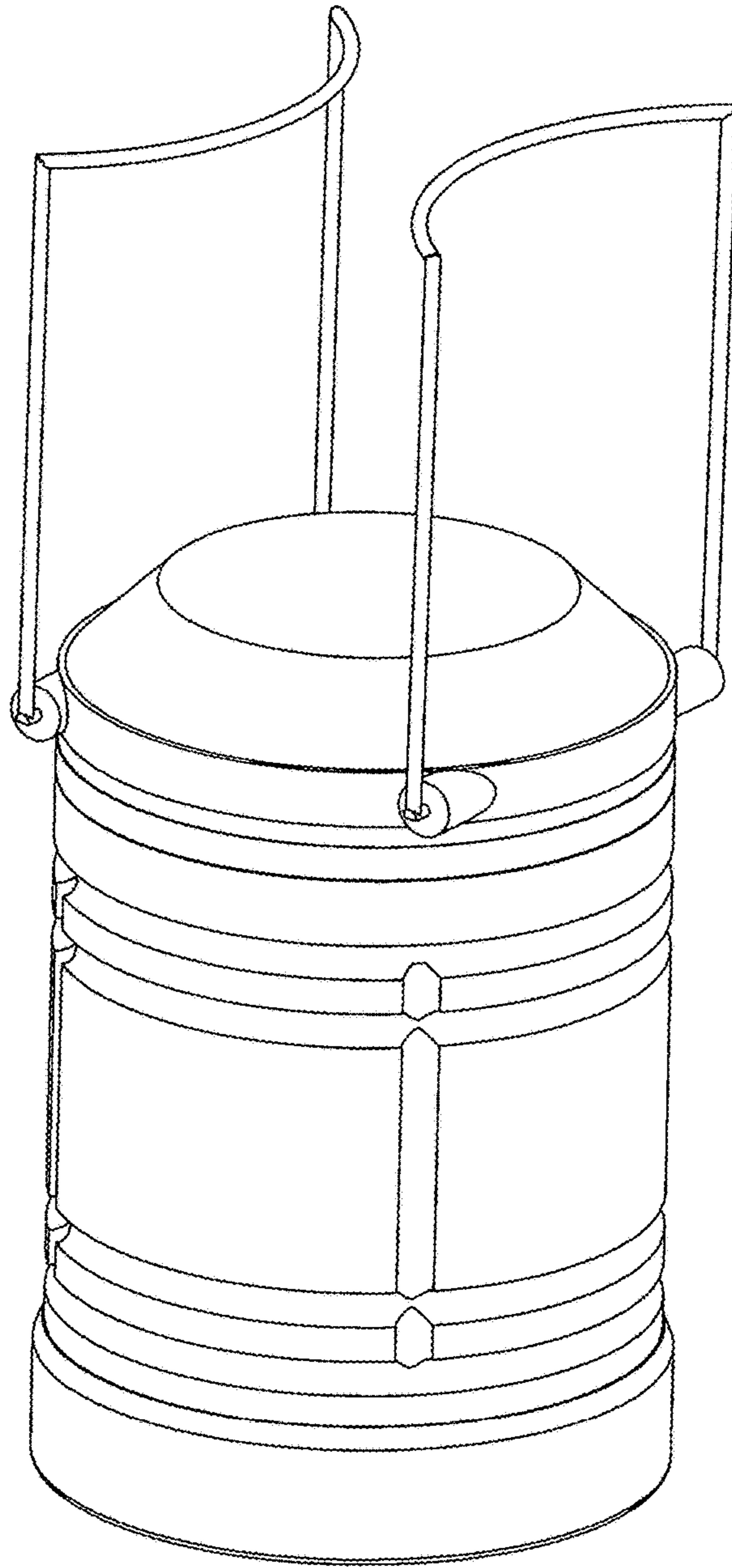


FIG. 6

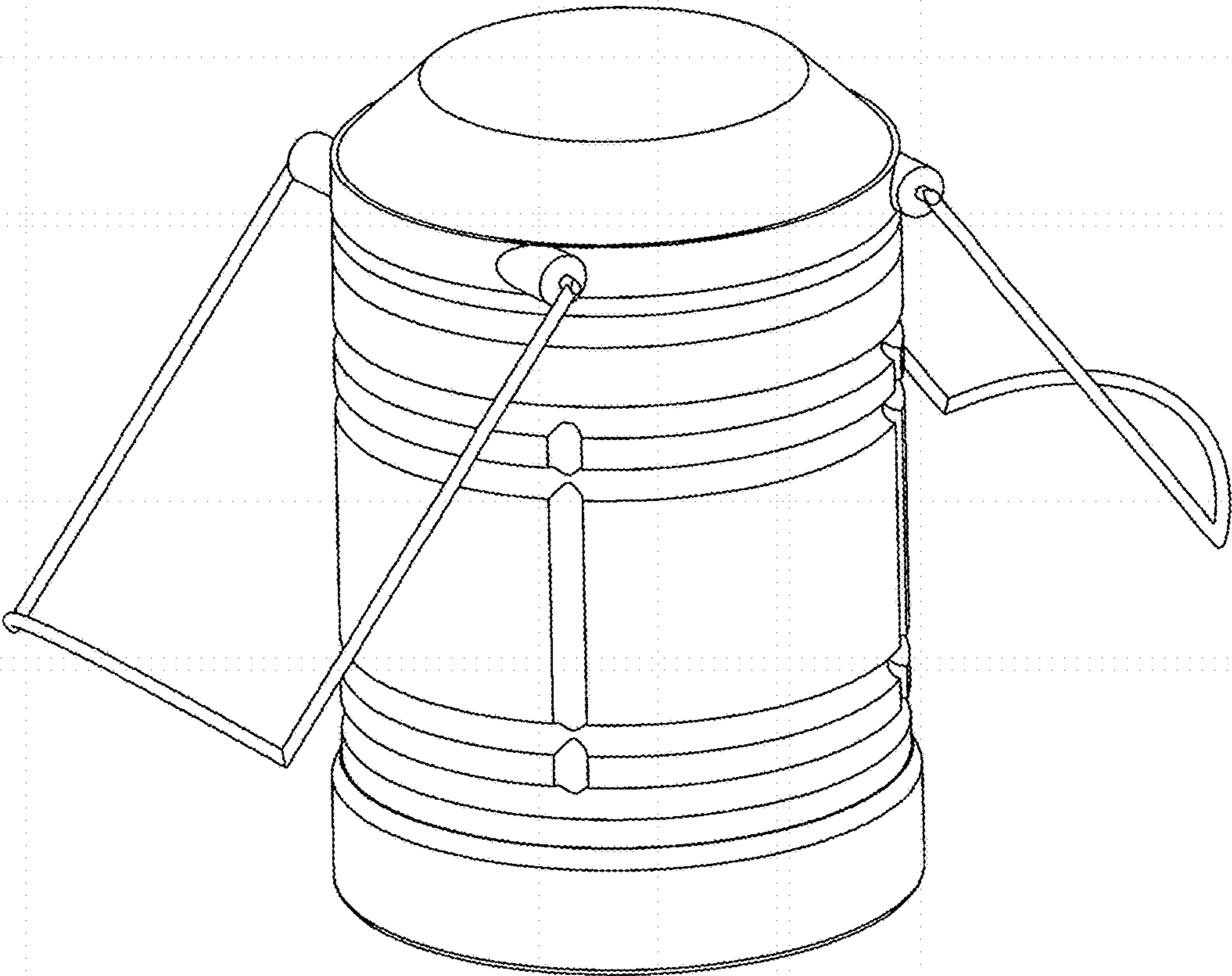


FIG. 7



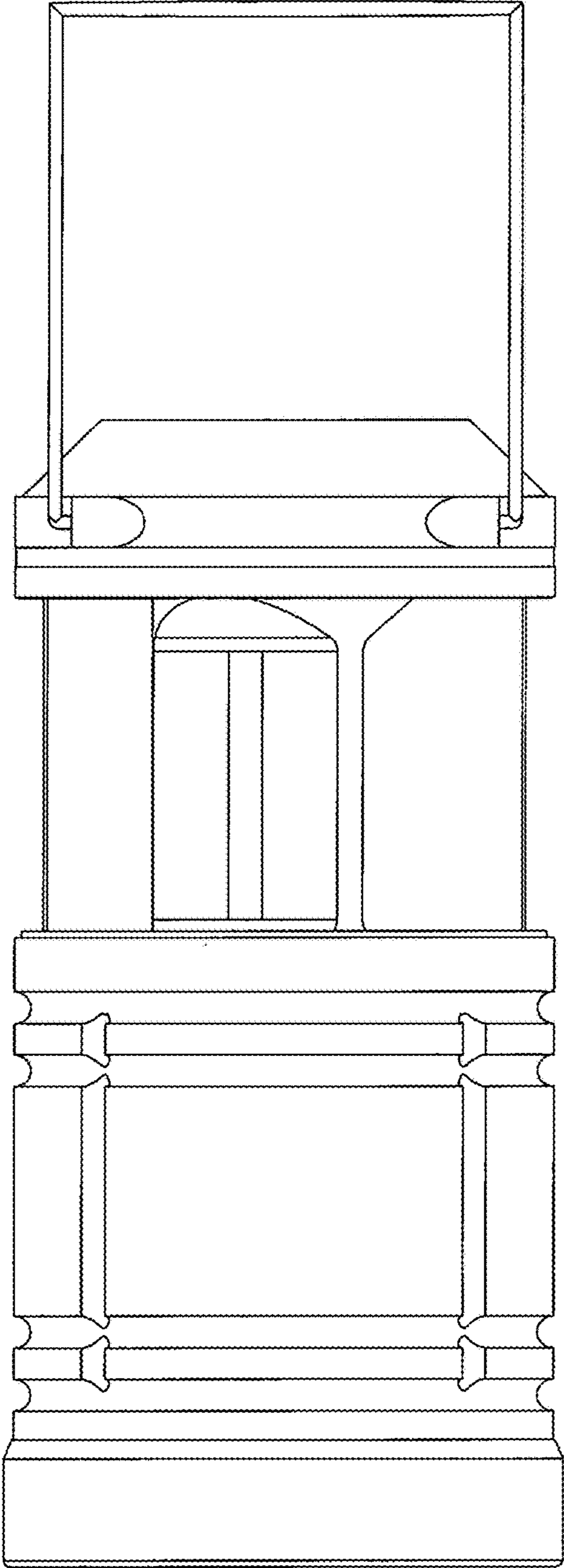


FIG. 8

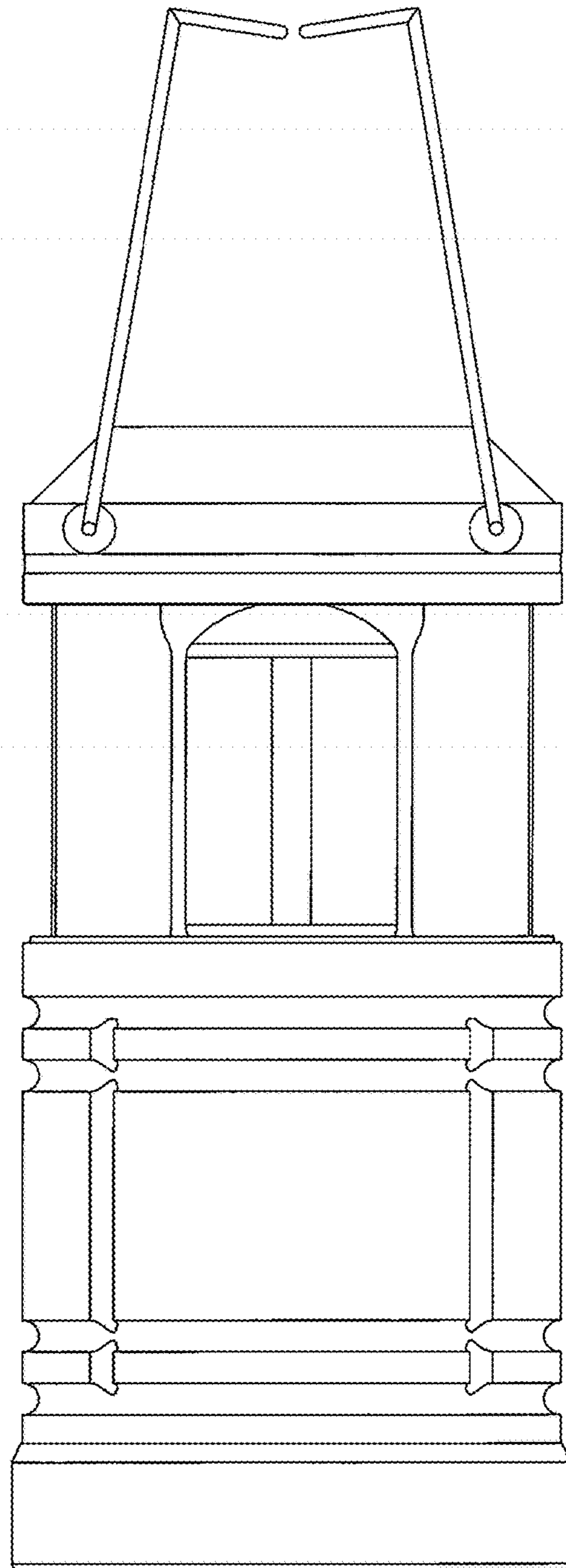


FIG. 9

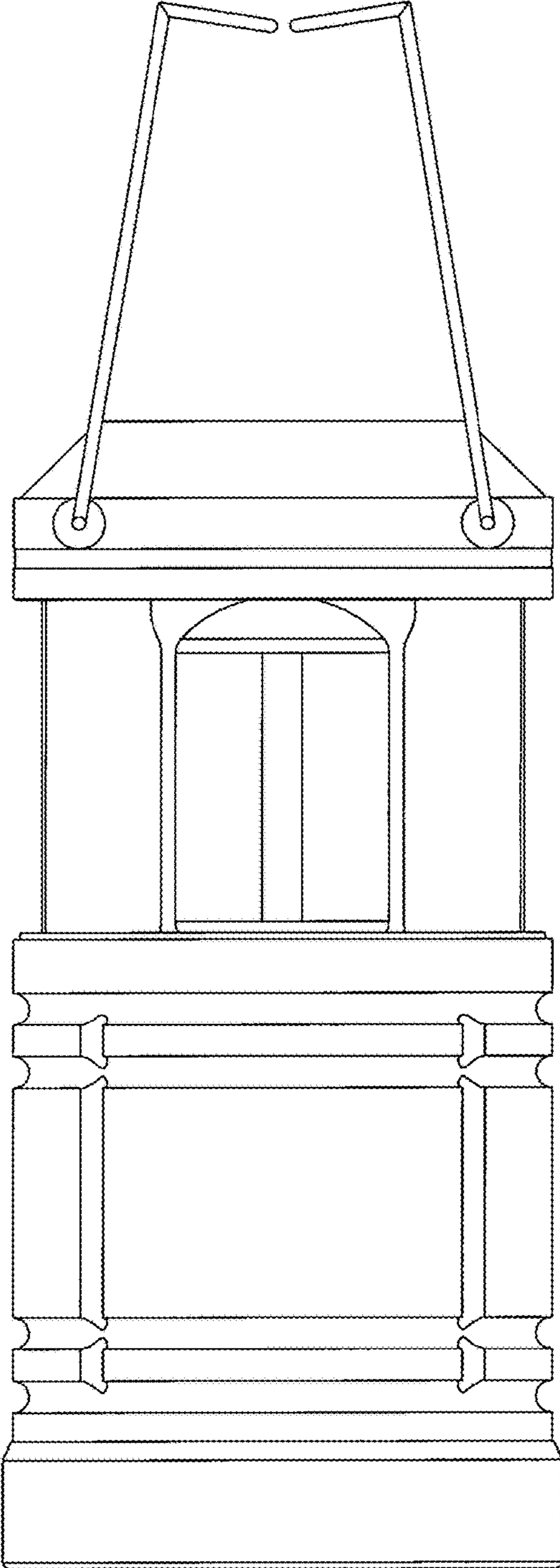


FIG. 10

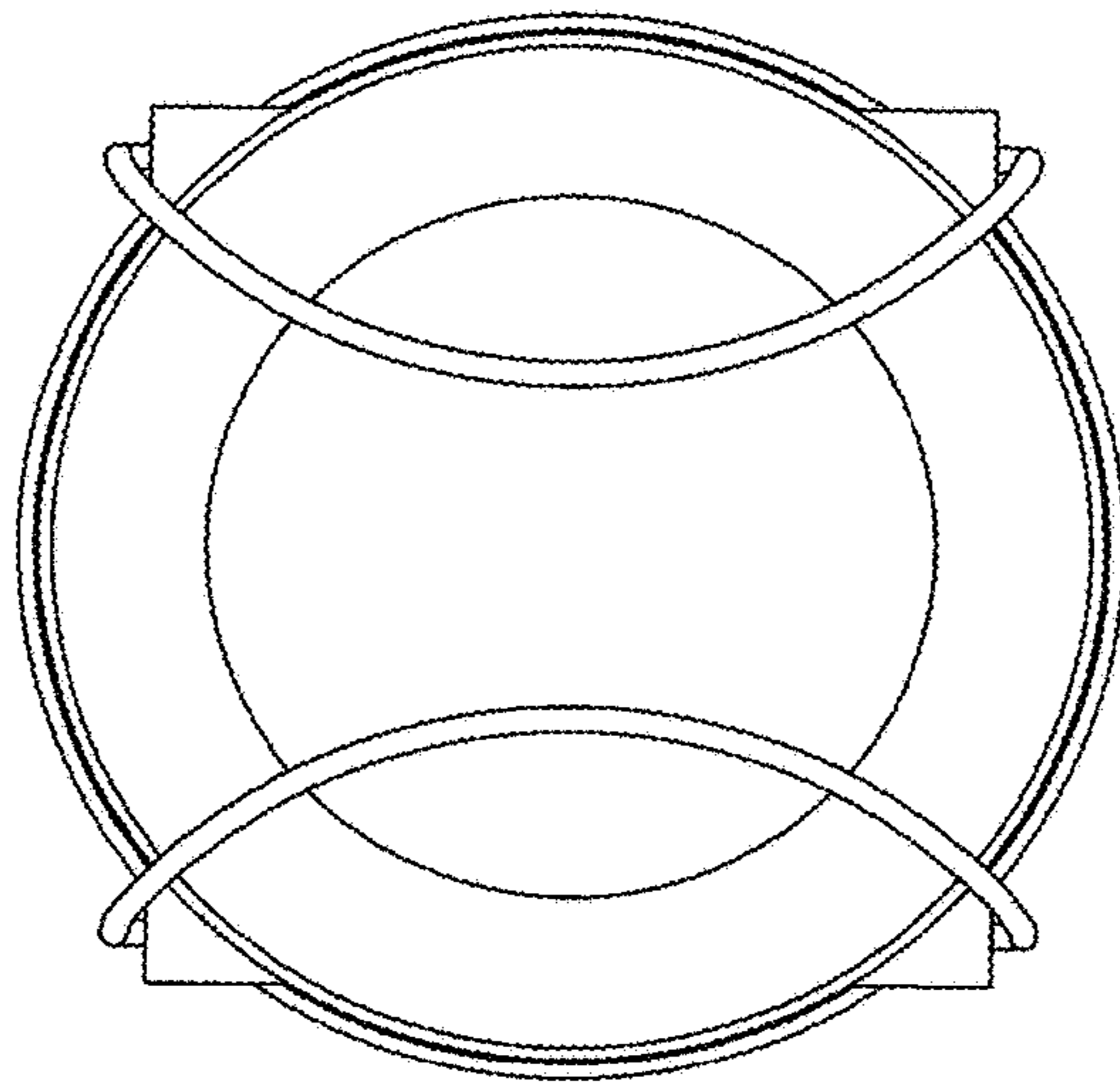


FIG. 11

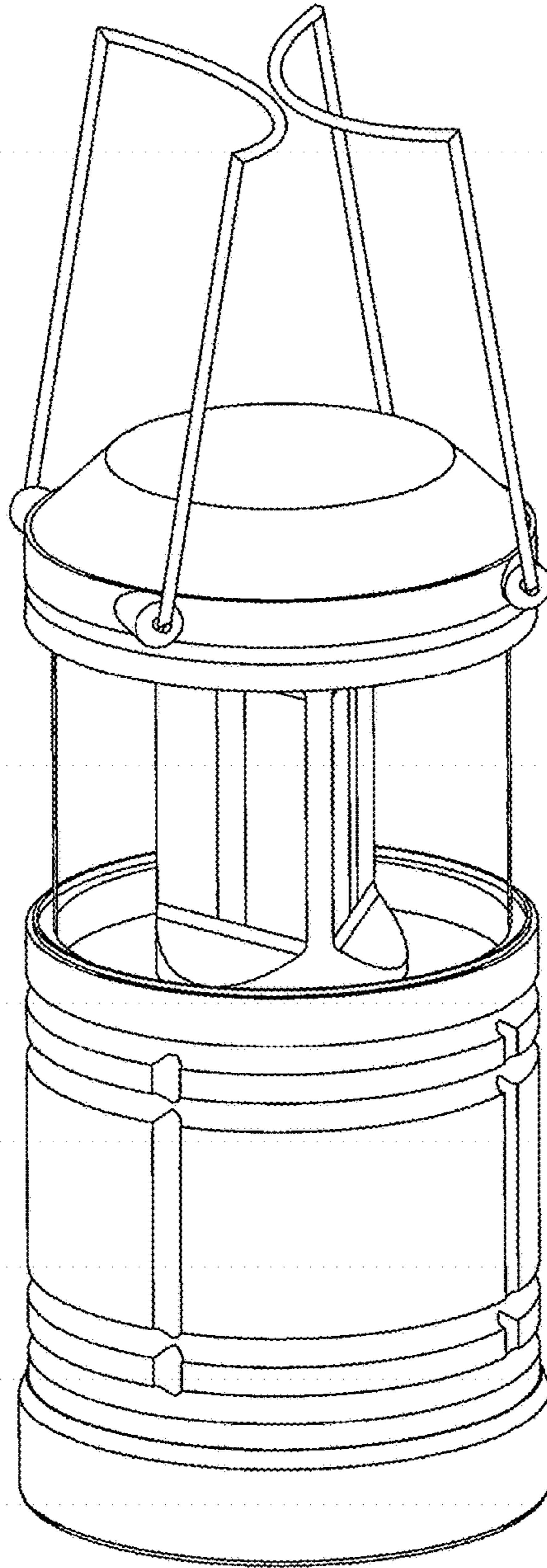


FIG. 12



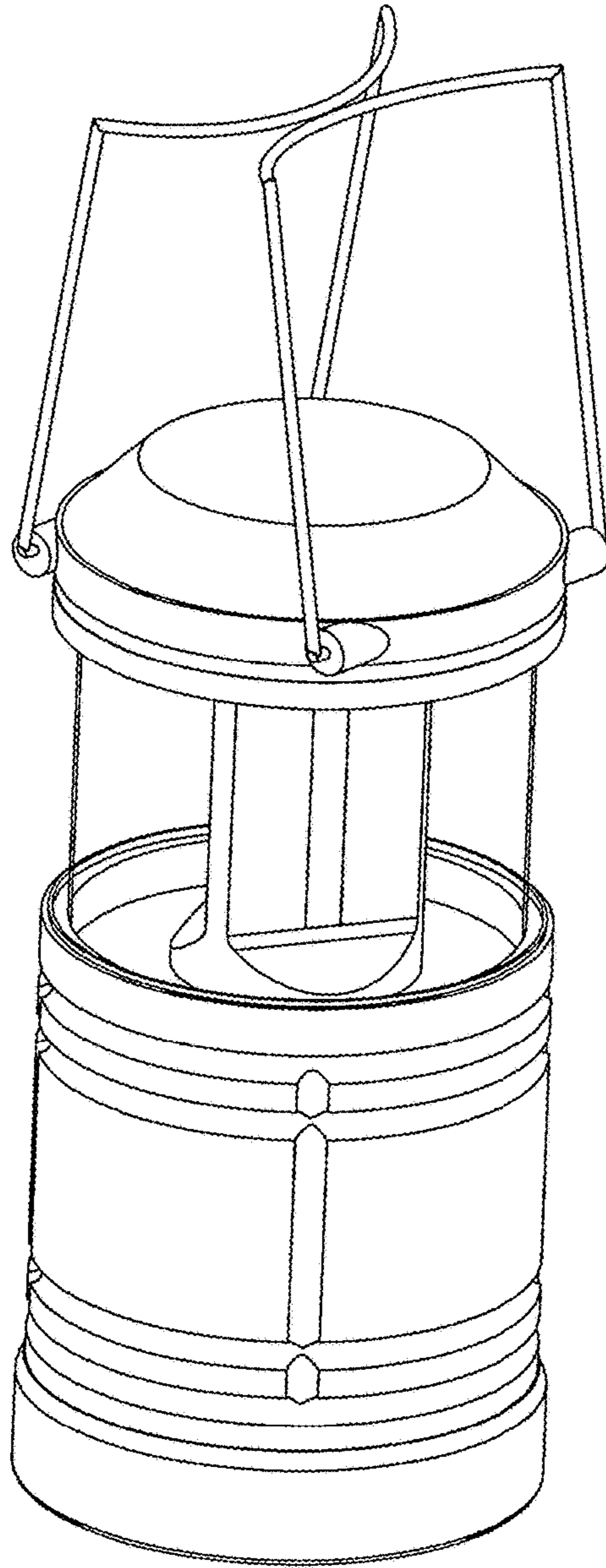


FIG. 13

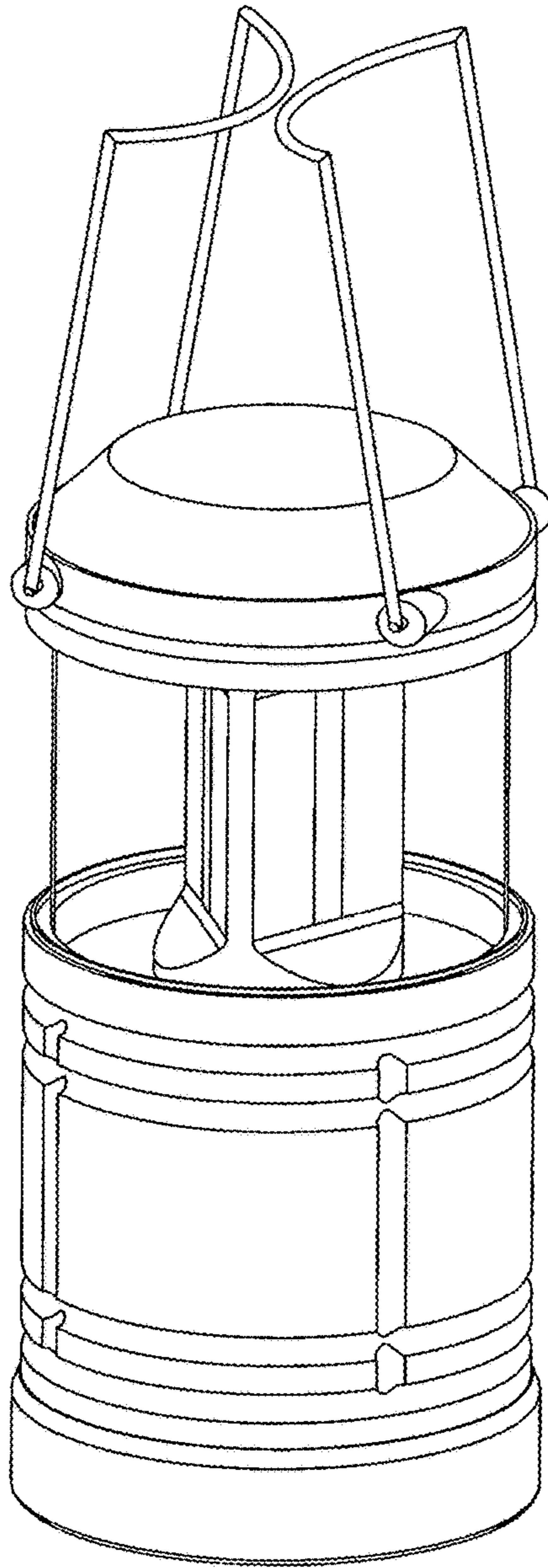


FIG. 14