



US00D83884S

(12) **United States Design Patent**  
**Yang**

(10) **Patent No.:** **US D838,884 S**

(45) **Date of Patent:** **\*\* Jan. 22, 2019**

(54) **VEHICLE HEADLIGHT**

(71) Applicant: **SONAR AUTO PARTS CO., LTD.**,  
New Taipei (TW)

(72) Inventor: **Hsiu-Pen Yang**, New Taipei (TW)

(73) Assignee: **SONAR AUTO PARTS CO., LTD.**,  
New Taipei (TW)

(\*\*) Term: **15 Years**

(21) Appl. No.: **29/633,198**

(22) Filed: **Jan. 12, 2018**

(51) **LOC (11) Cl.** ..... **26-06**

(52) **U.S. Cl.**  
USPC ..... **D26/28**

(58) **Field of Classification Search**  
USPC ..... D26/28-36  
CPC ..... B60Q 9/13; B60Q 9/135; B60Q 9/1375;  
F21S 48/00; F21S 48/10; F21S 48/115;  
F21S 48/225; F21S 48/1233; F21S  
48/1266; F21S 48/1388; F21S 48/2268;  
F21V 21/04  
See application file for complete search history.

(56) **References Cited**

**U.S. PATENT DOCUMENTS**

D538,956 S \* 3/2007 Ishii ..... D26/28  
D544,614 S \* 6/2007 Markefka ..... D26/28

D556,349 S \* 11/2007 Golden ..... D26/28  
D561,358 S \* 2/2008 Tachibana ..... D26/28  
D582,587 S \* 12/2008 Yang ..... D26/28  
D593,232 S \* 5/2009 Koman ..... D26/28

\* cited by examiner

*Primary Examiner* — Marcus A Jackson

(74) *Attorney, Agent, or Firm* — Li & Cai Intellectual  
Property (USA) Office

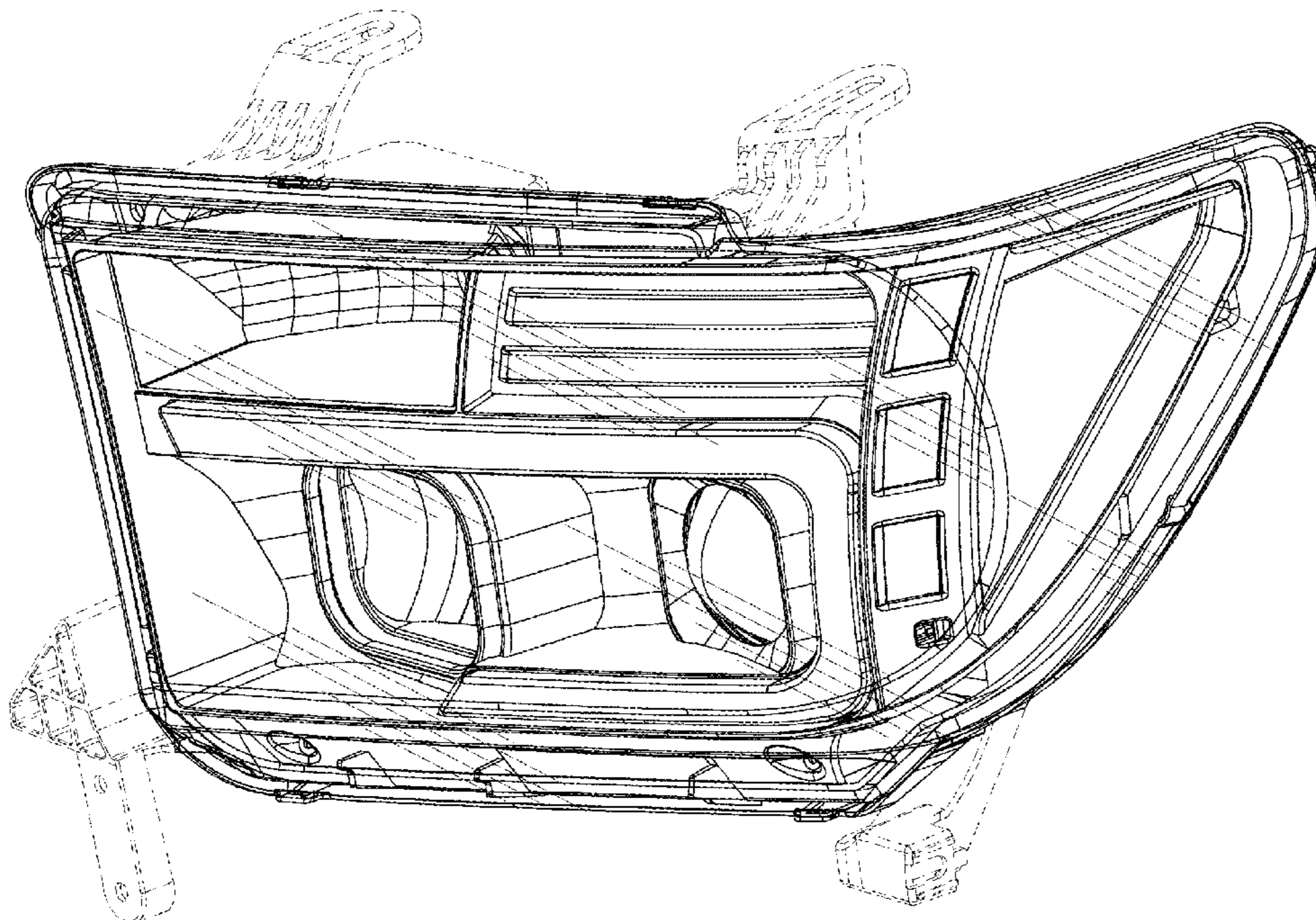
(57) **CLAIM**

The ornamental design for a “vehicle headlight,” as shown  
and described.

**DESCRIPTION**

FIG. 1 is a front, top and right perspective view of a vehicle  
headlight showing my new design;  
FIG. 2 is a front elevational view thereof;  
FIG. 3 is a rear elevational view thereof;  
FIG. 4 is a left side elevational view thereof;  
FIG. 5 is a right side elevational view thereof;  
FIG. 6 is a top plan view thereof;  
FIG. 7 is a bottom plan view thereof; and,  
FIG. 8 is a rear, and bottom perspective view thereof.  
The portions in broken lines are shown for illustrative  
purposes only and form no part of the claimed design.

**1 Claim, 8 Drawing Sheets**



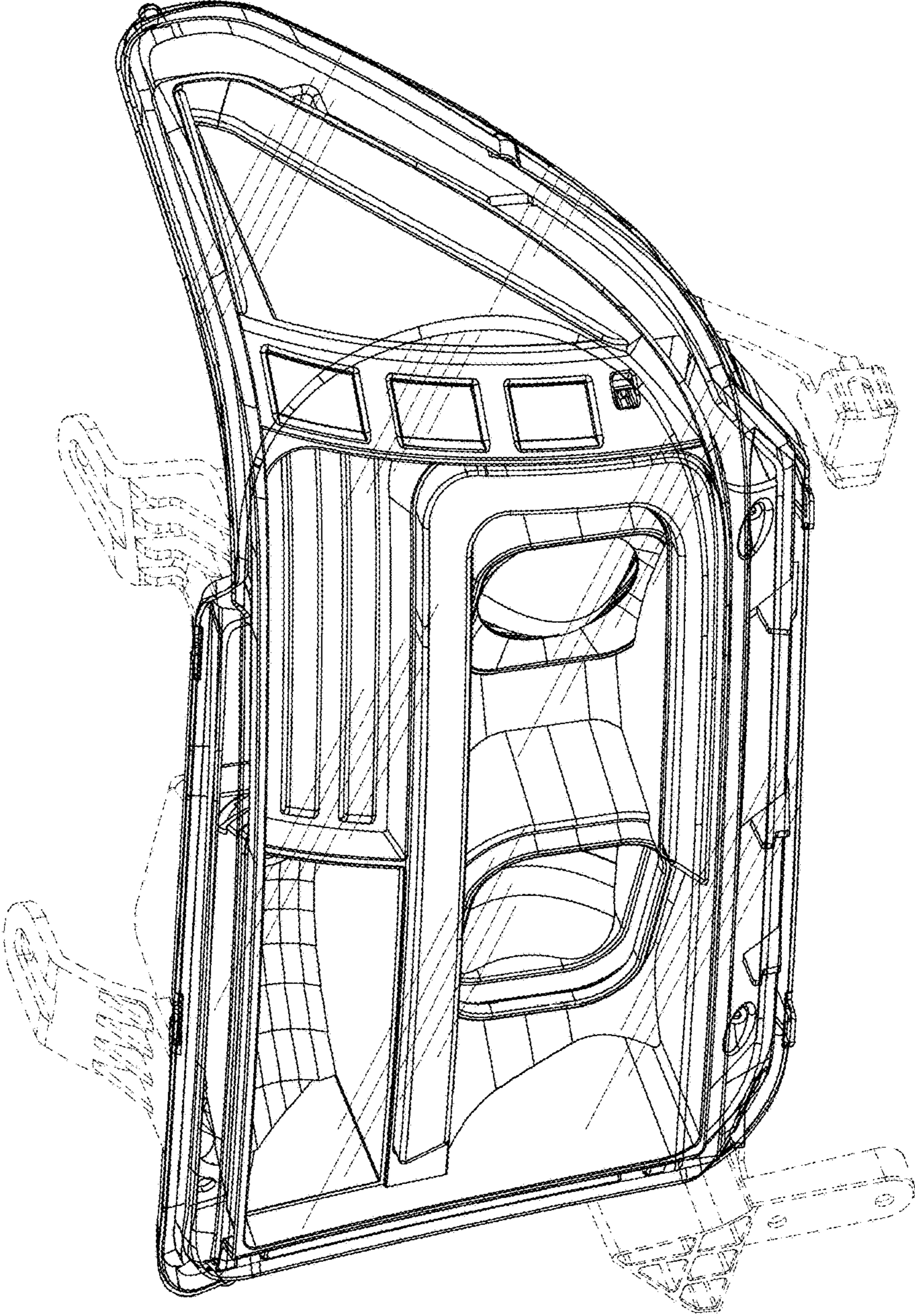


FIG. 1

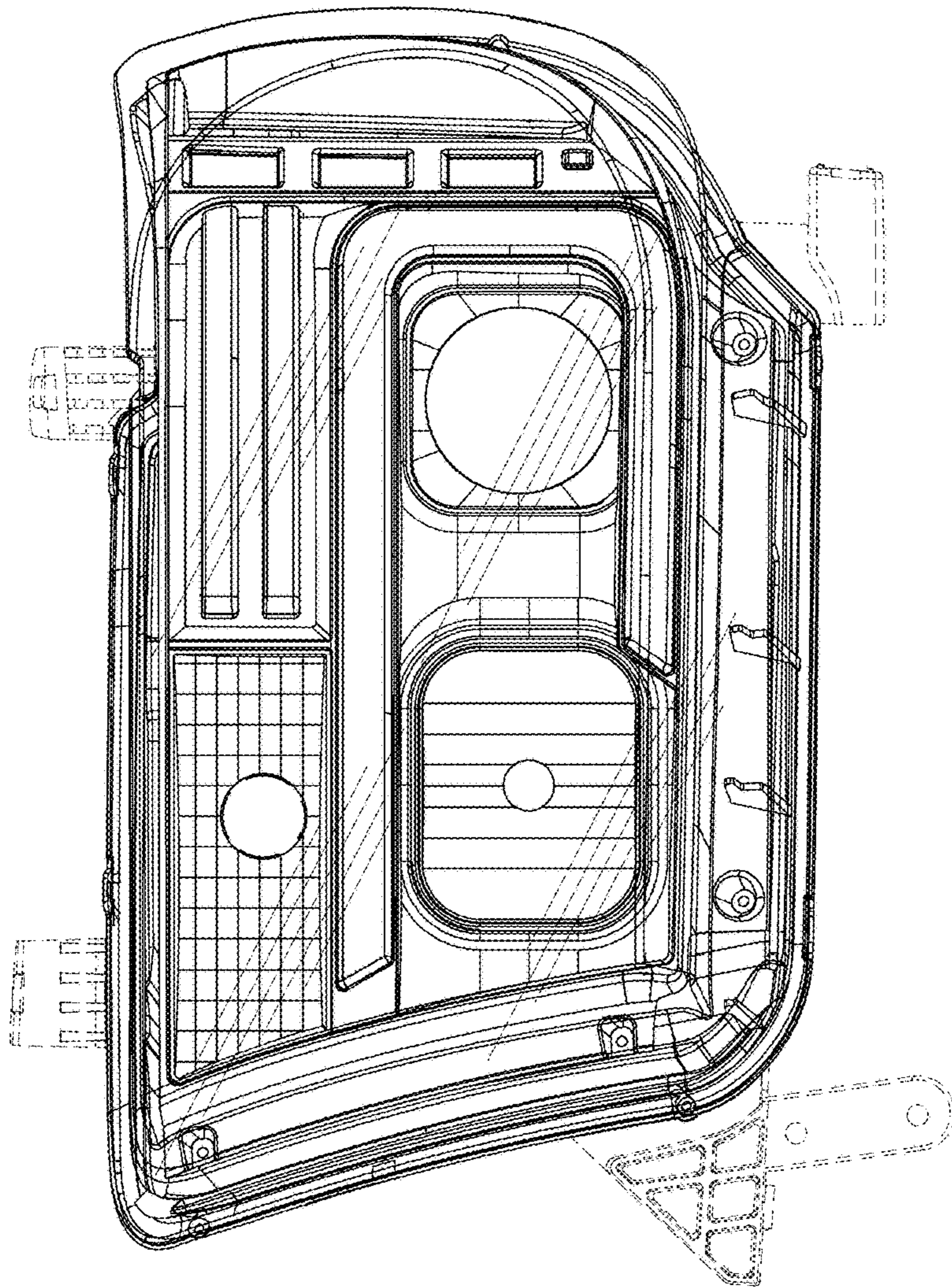


FIG. 2

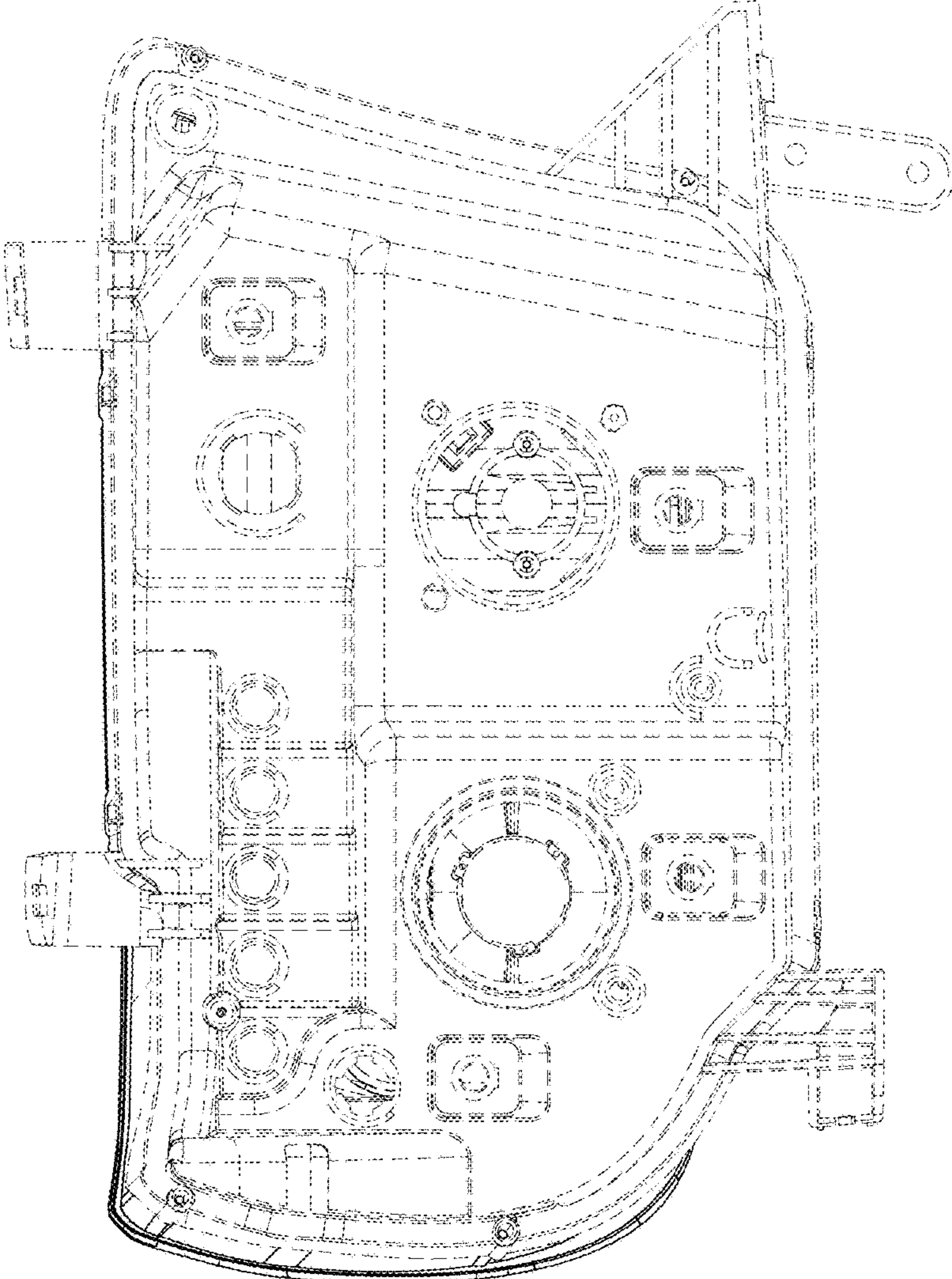


FIG. 3

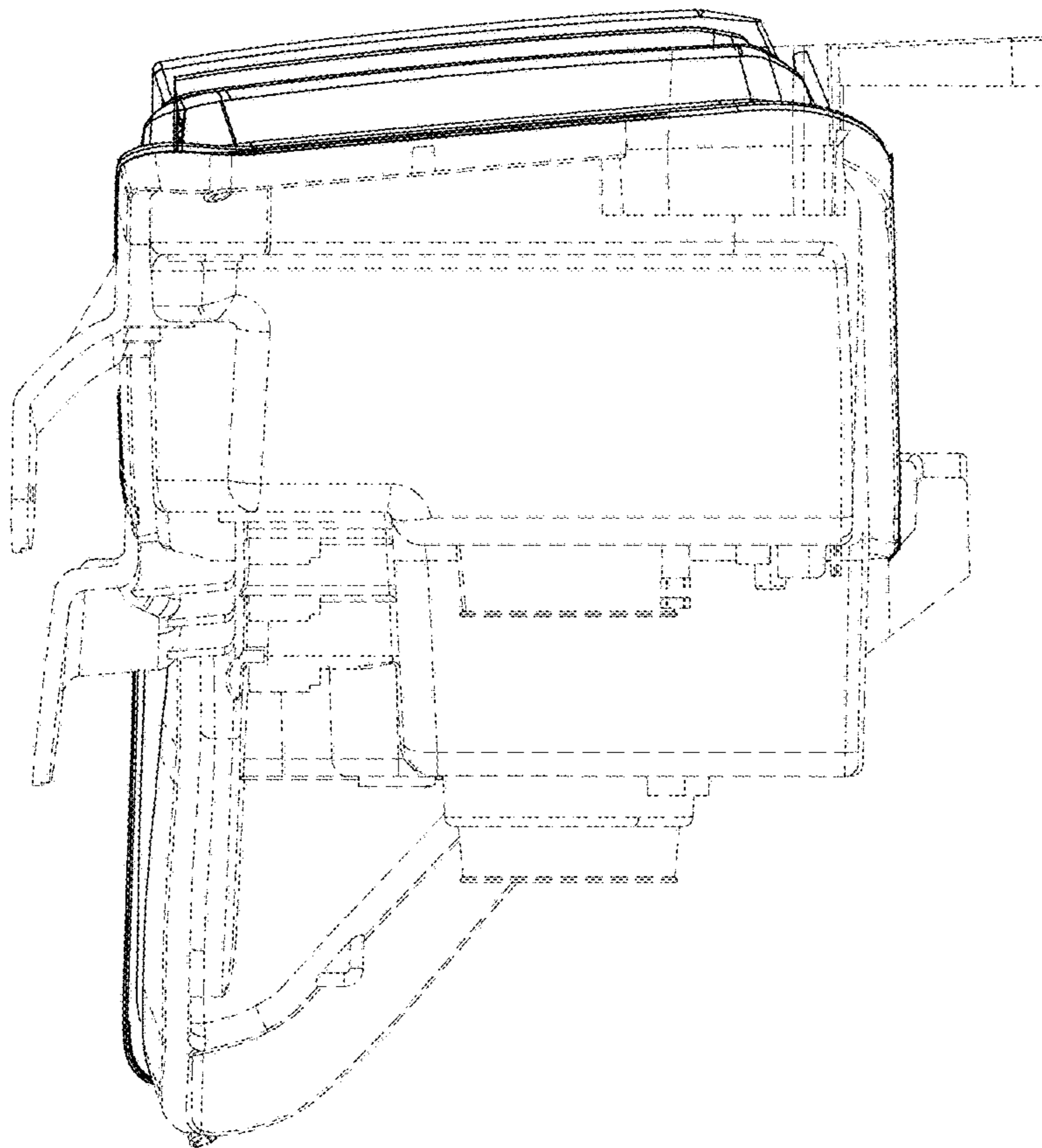


FIG. 4

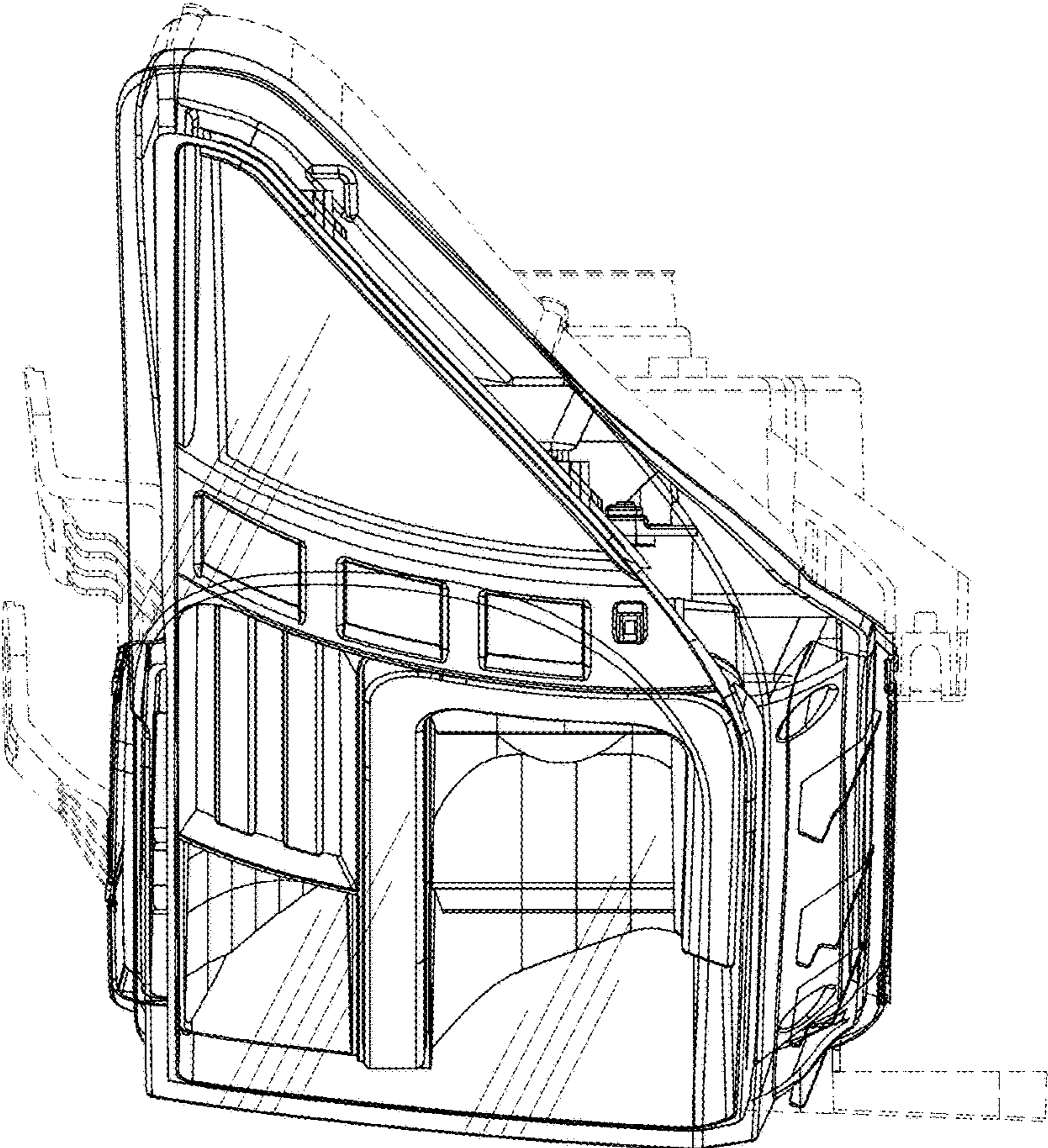


FIG. 5

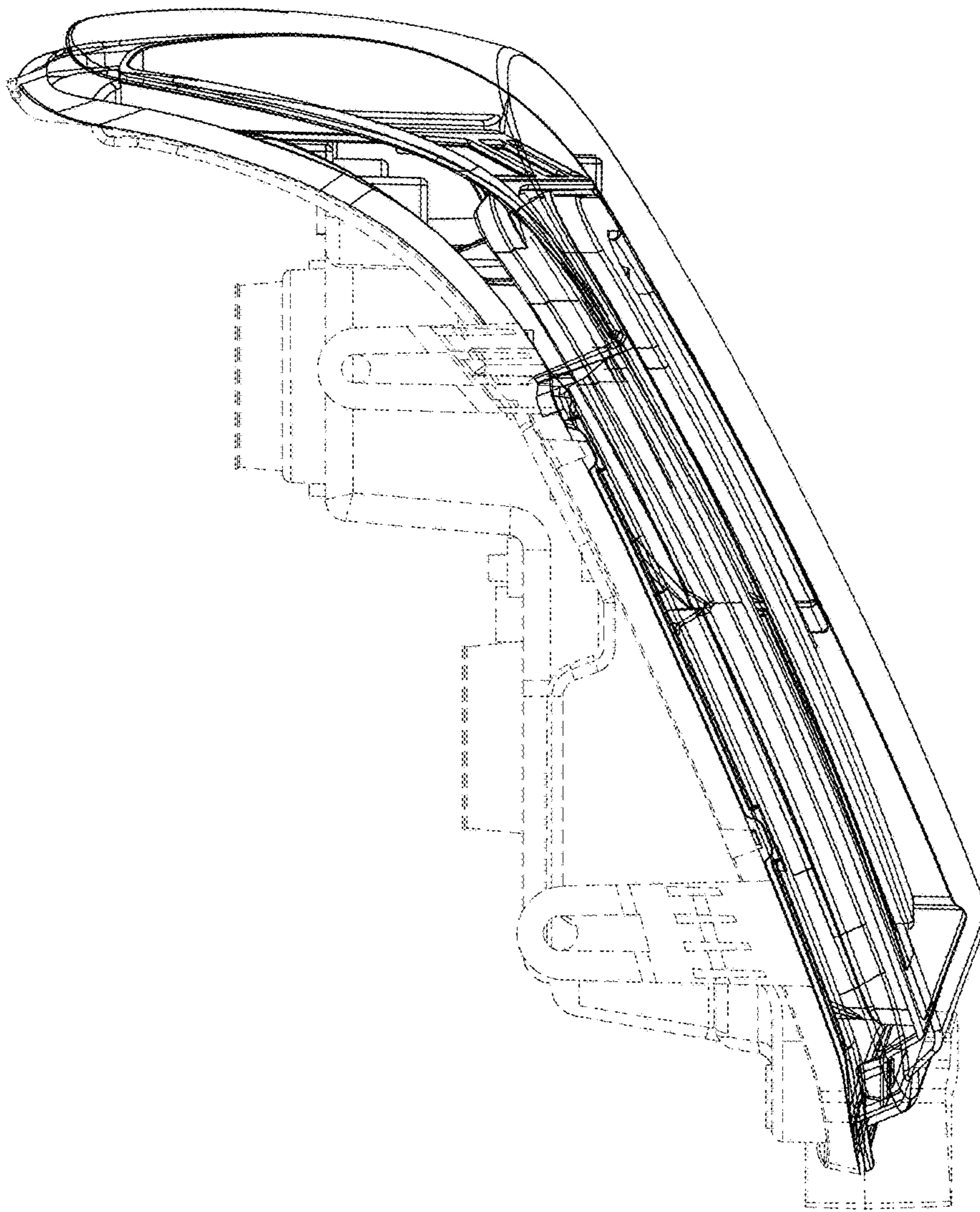


FIG. 6

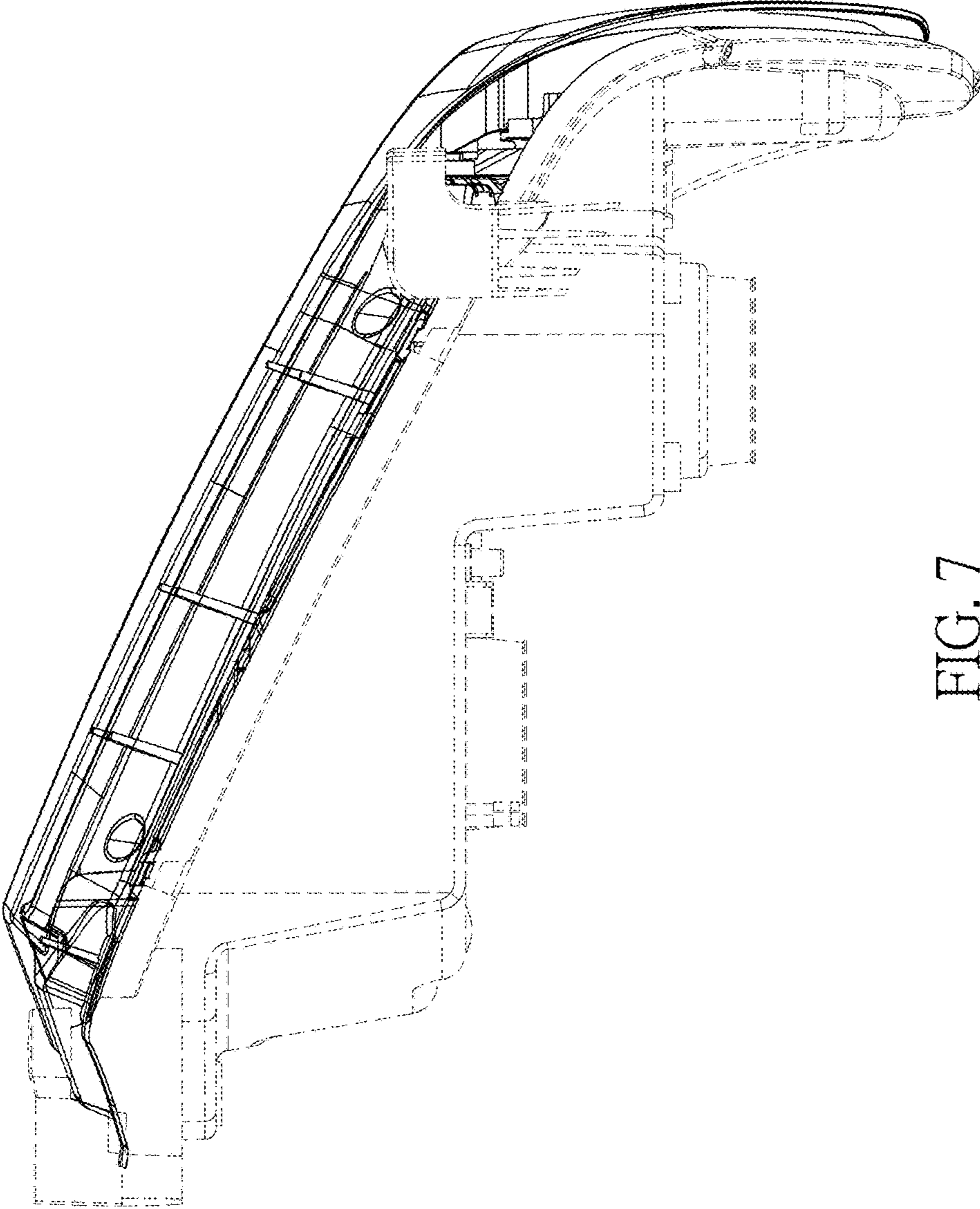


FIG. 7



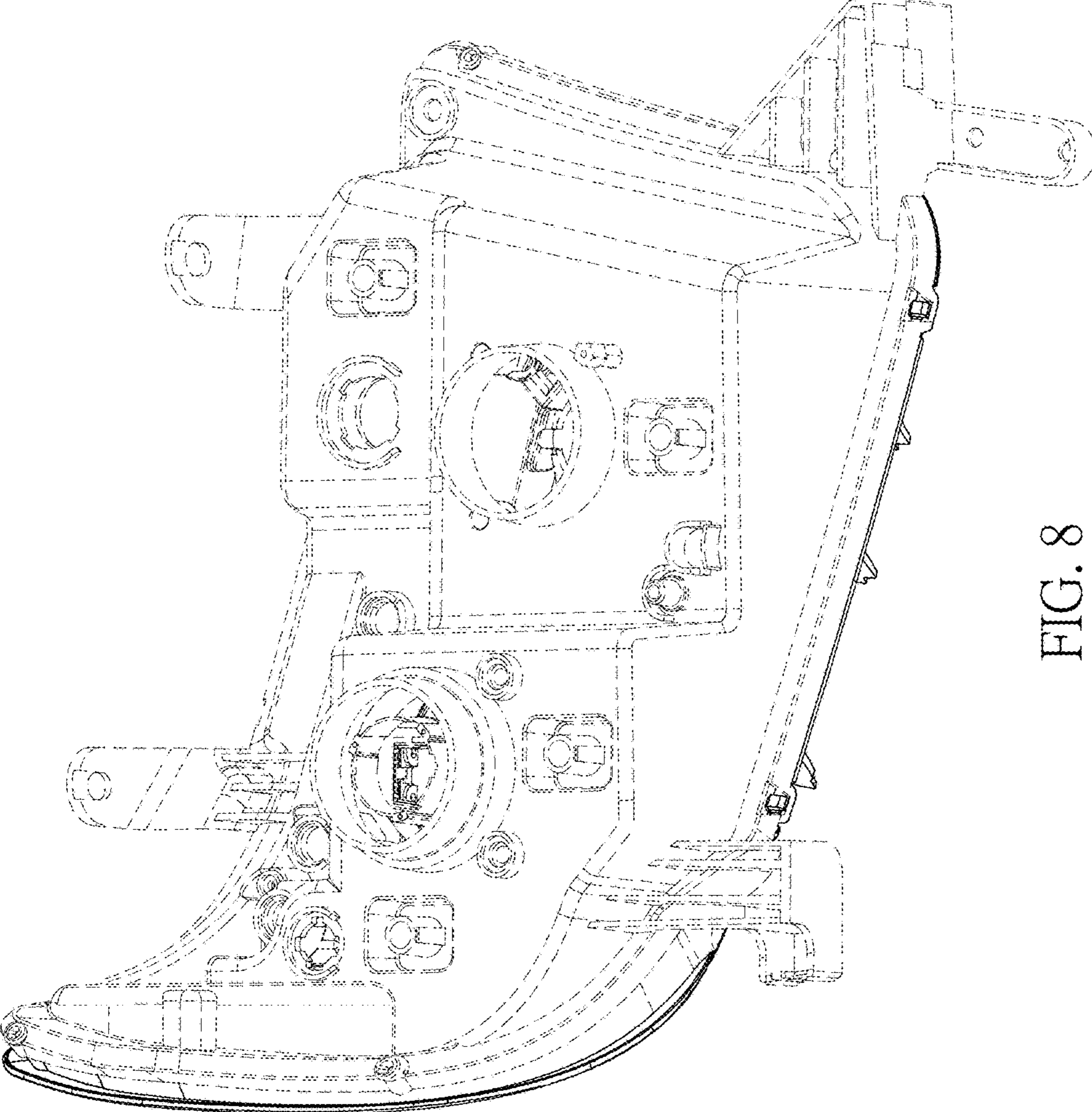


FIG. 8