

US00D838883S

(12) **United States Design Patent** (10) **Patent No.:** **US D838,883 S**
Ko (45) **Date of Patent:** **** Jan. 22, 2019**

(54) **HEADLAMP FOR A VEHICLE**

(56) **References Cited**

(71) Applicants: **In Hong Ko**, Seoul (KR); **VISION X ASIA CO., LTD.**, Hwaseong-si (KR); **Custom Dynamics LLC**, Youngsville, NC (US)

U.S. PATENT DOCUMENTS

D593,691 S *	6/2009	Habib	D26/28
D674,941 S *	1/2013	Lai	D26/28
D706,472 S *	6/2014	Lai	D26/28
D707,861 S *	6/2014	Lai	D26/28
D721,196 S *	1/2015	Lai	D26/28

(72) Inventor: **In Hong Ko**, Seoul (KR)

* cited by examiner

(73) Assignees: **In Hong Ko**, Seoul (KR); **VISION X ASIA CO., LTD.**, Hwaseong-si (KR); **CUSTOM DYNAMICS LLC**, Youngsville, NC (US)

Primary Examiner — Marcus A Jackson

(74) *Attorney, Agent, or Firm* — Cantor Colburn LLP

(**) Term: **15 Years**

(57) **CLAIM**

(21) Appl. No.: **29/633,178**

The ornamental design for a headlamp for a vehicle, as shown and described.

(22) Filed: **Jan. 12, 2018**

(30) **Foreign Application Priority Data**

DESCRIPTION

Jul. 31, 2017 (KR) 30-2017-0035350

(51) **LOC (11) Cl.** **26-06**

(52) **U.S. Cl.**
USPC **D26/28**

(58) **Field of Classification Search**
USPC D26/28-36
CPC B60Q 9/13; B60Q 9/135; B60Q 9/1375;
F21S 48/00; F21S 48/10; F21S 48/115;
F21S 48/225; F21S 48/1233; F21S
48/1266; F21S 48/1388; F21S 48/2268;
F21V 21/04

FIG. 1 is a front left side perspective view of a headlamp for a vehicle showing my new design;
FIG. 2 is a front right side perspective view thereof;
FIG. 3 is a rear side perspective view thereof;
FIG. 4 is a front elevational view thereof;
FIG. 5 is a rear elevational view thereof;
FIG. 6 is a left side elevational view thereof;
FIG. 7 is a right side elevational view thereof;
FIG. 8 is a top plan view thereof; and,
FIG. 9 is a bottom plan view thereof.

See application file for complete search history.

1 Claim, 6 Drawing Sheets

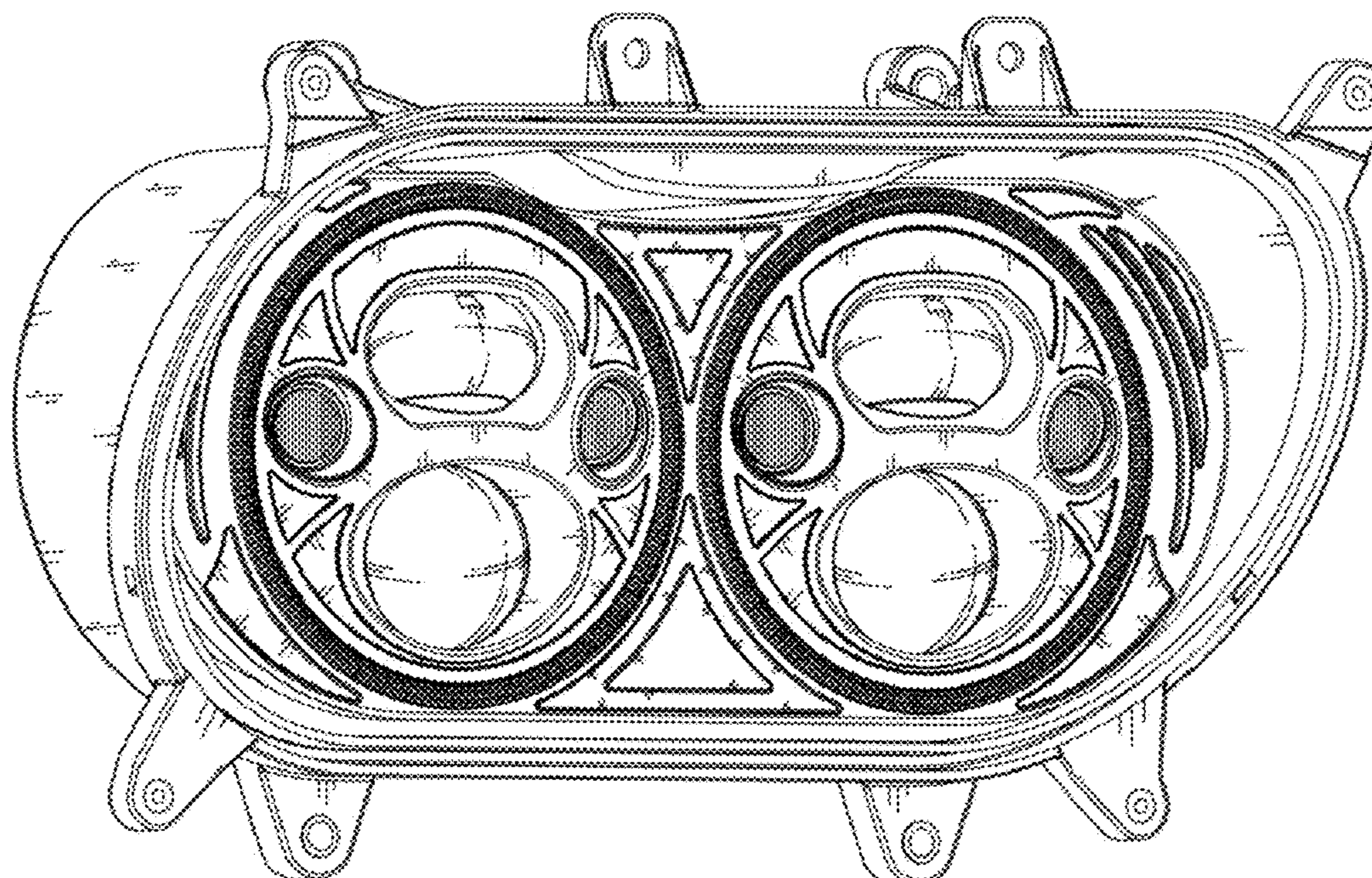


FIG. 1

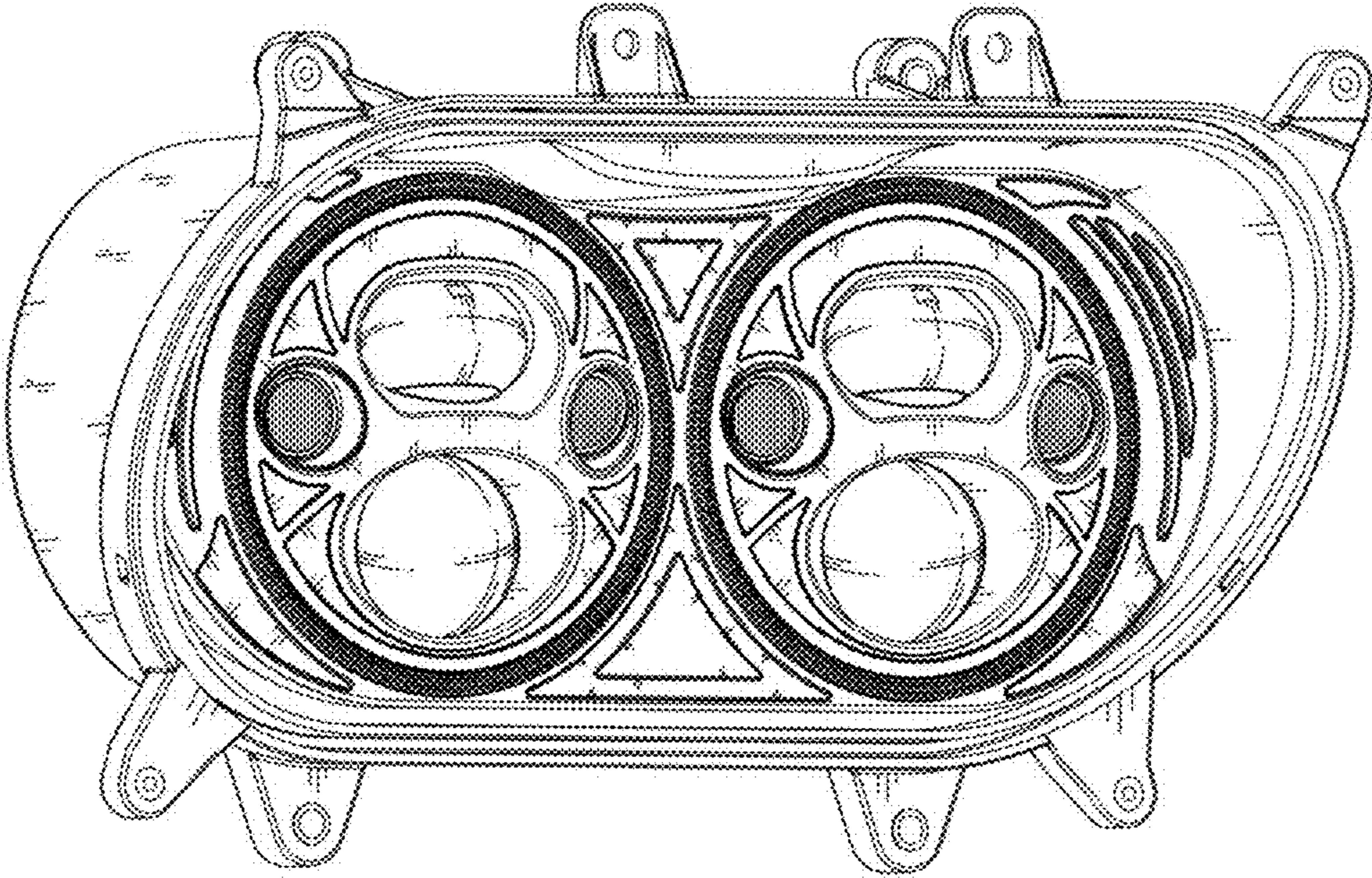


FIG. 2

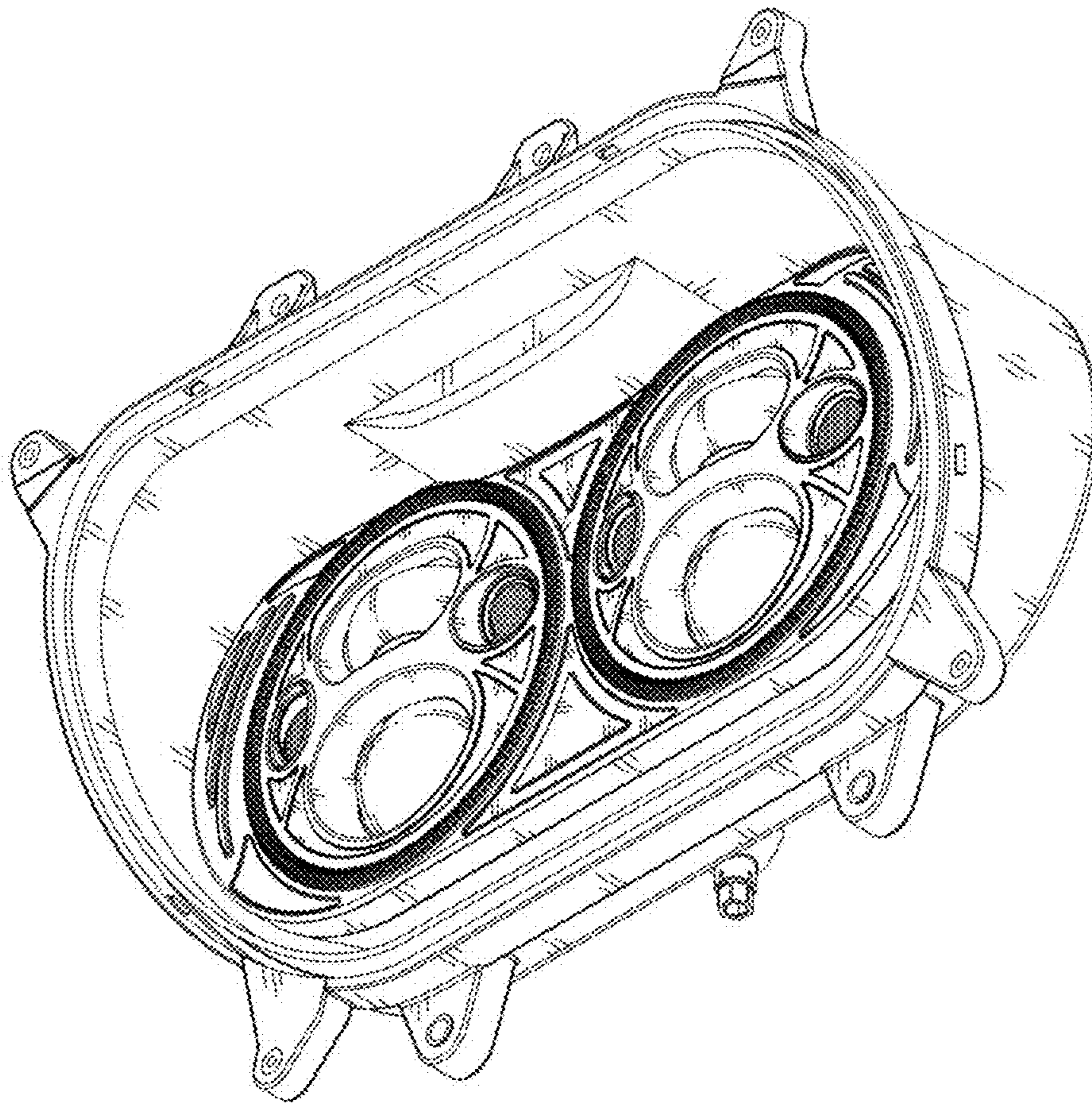


FIG. 3

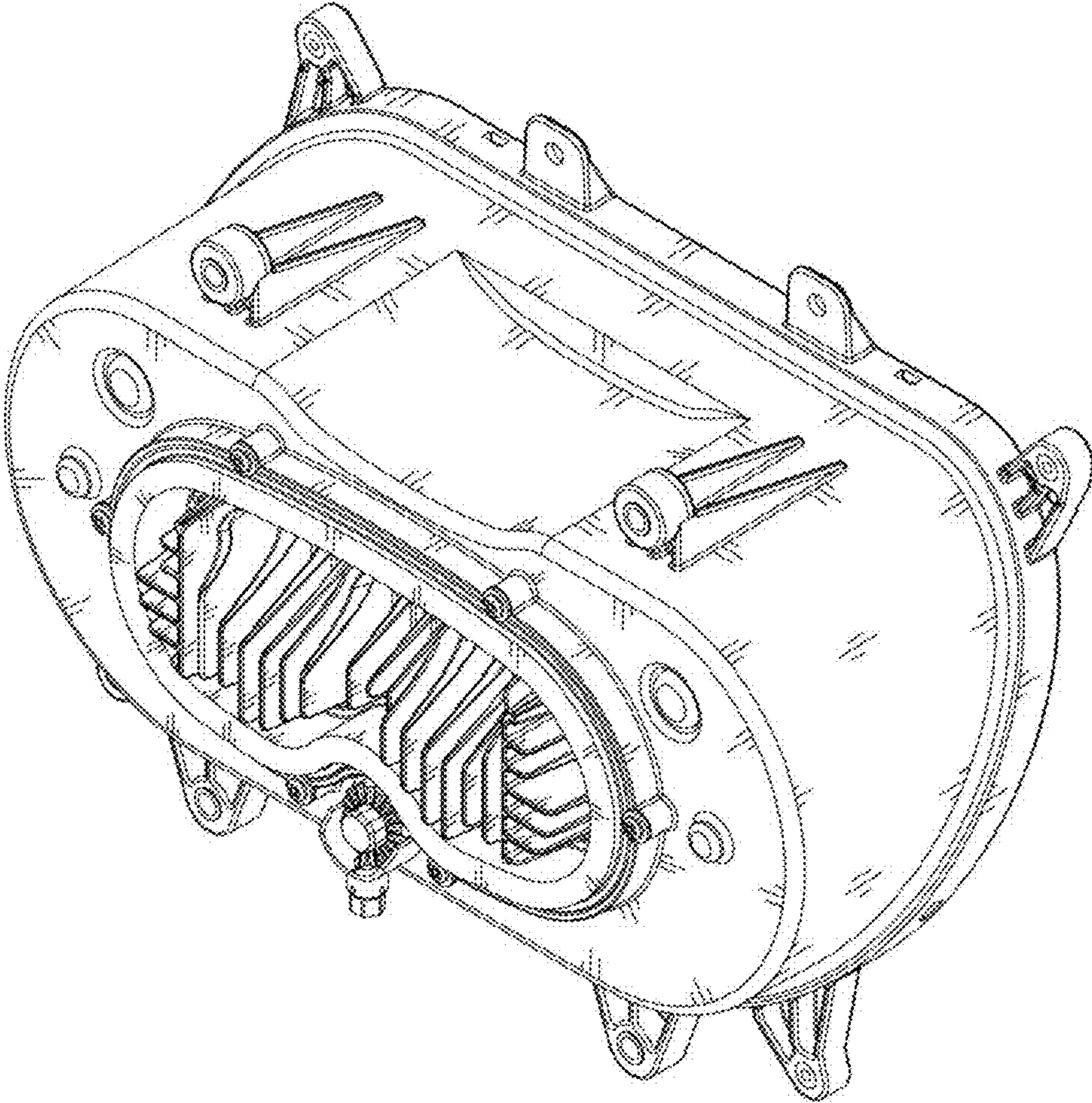


FIG. 4

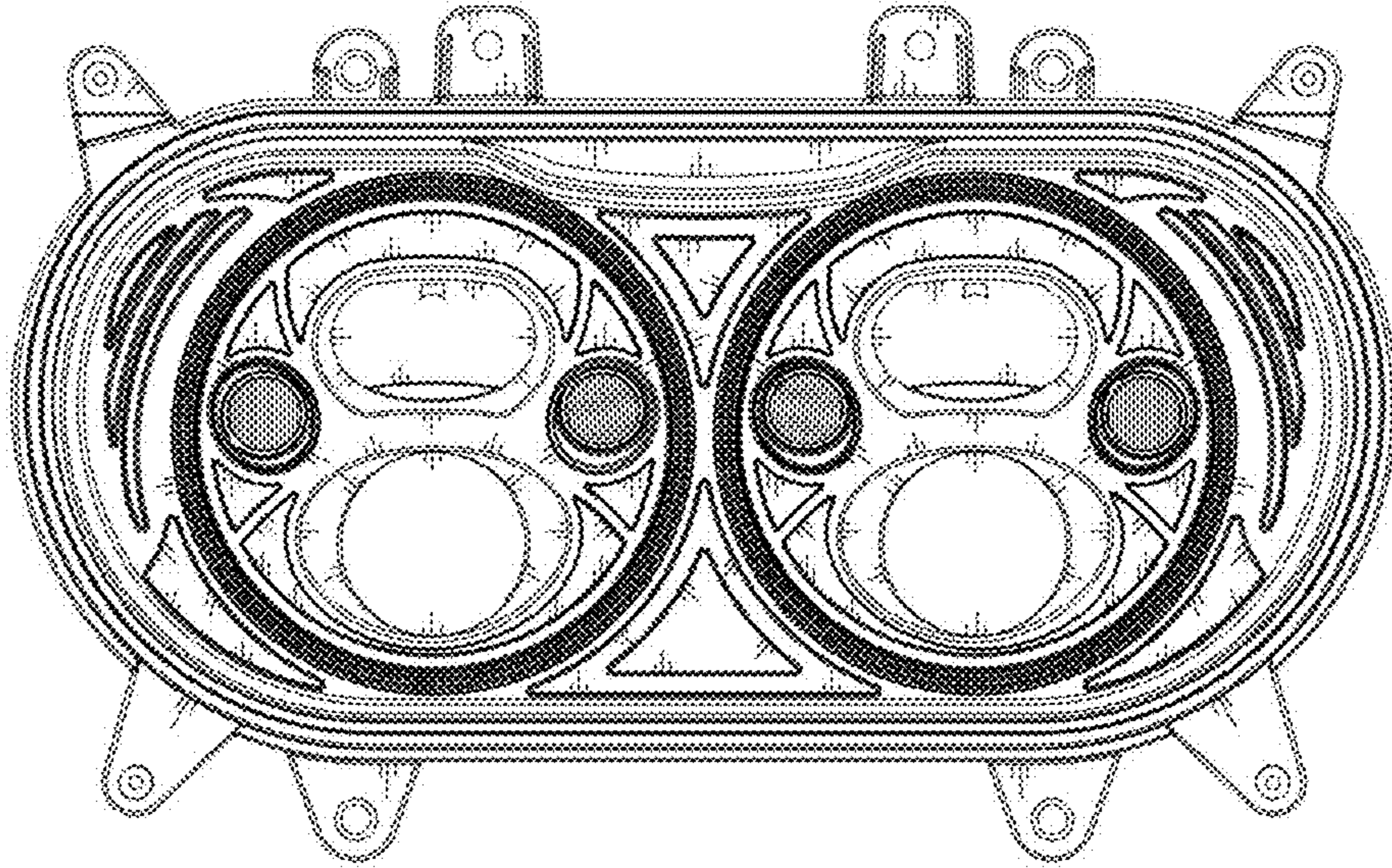


FIG. 5

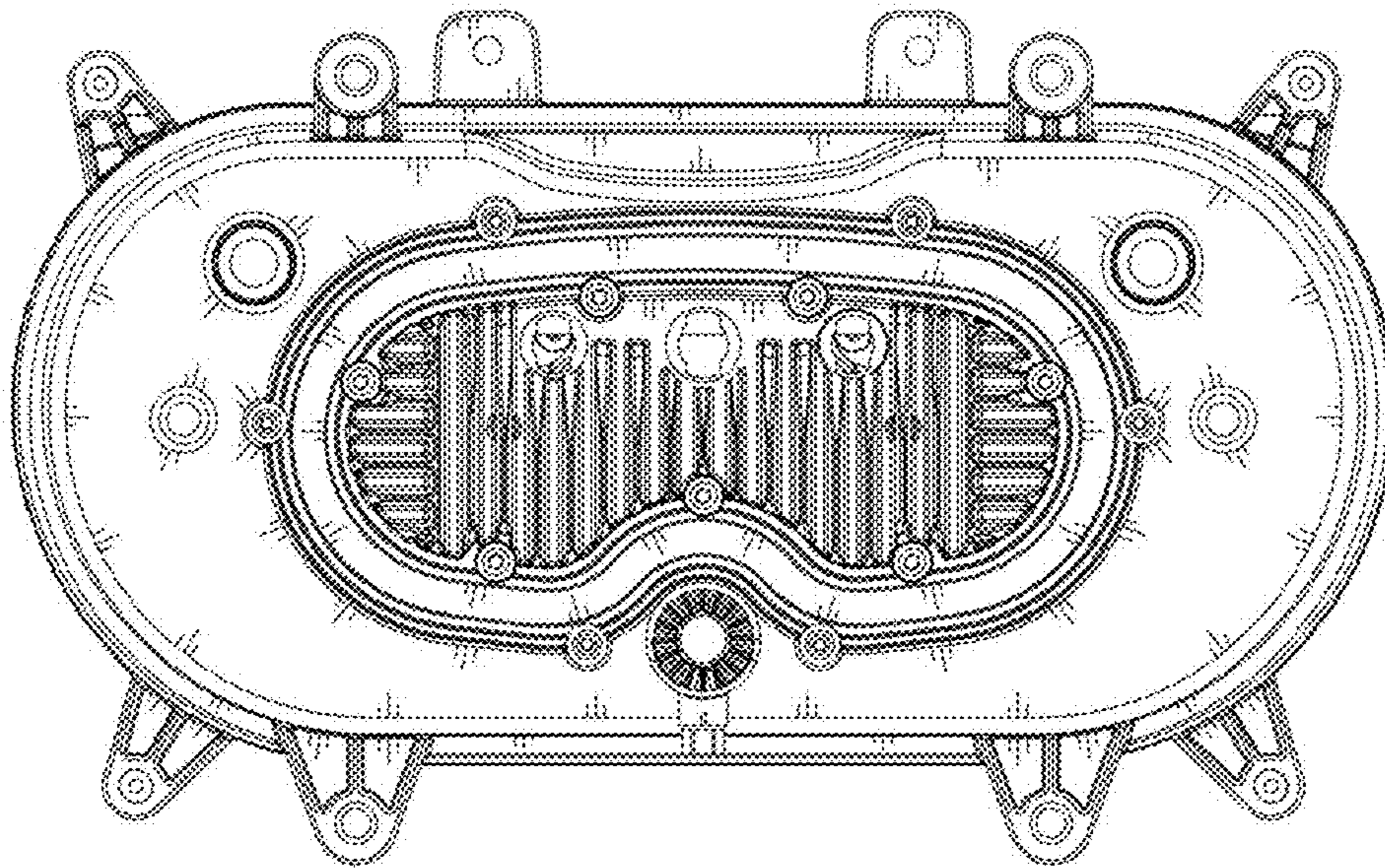


FIG. 6

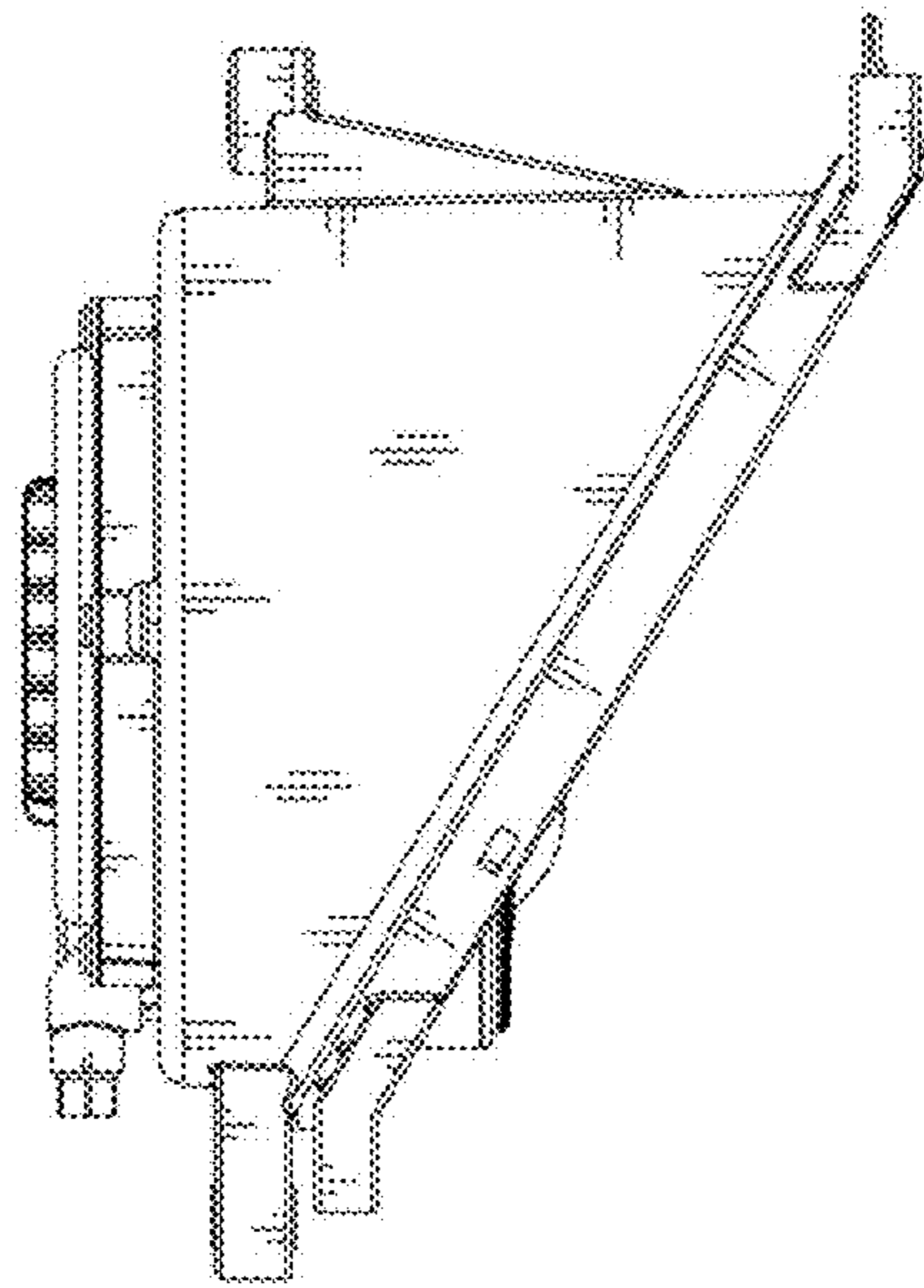


FIG. 7

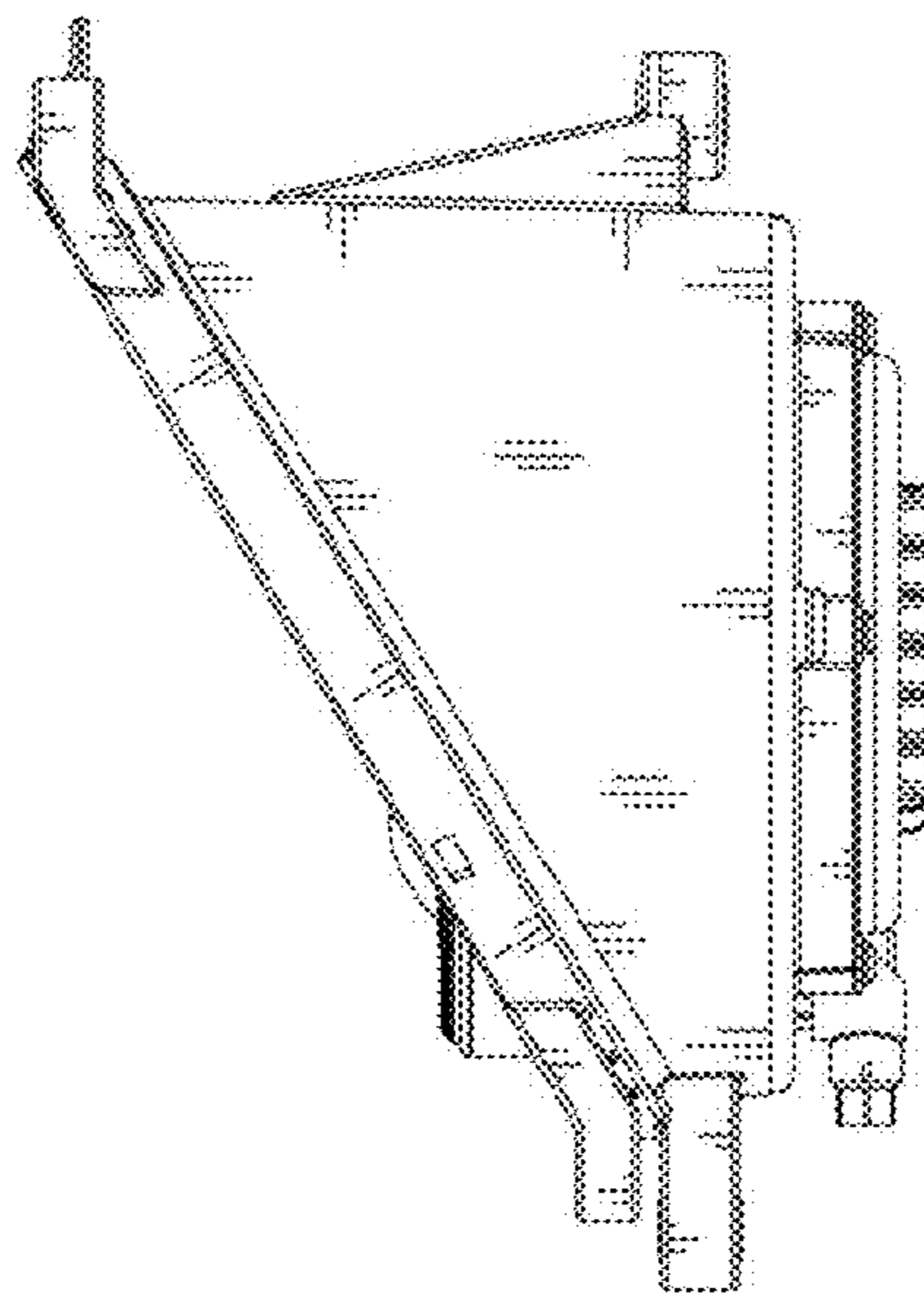


FIG. 8

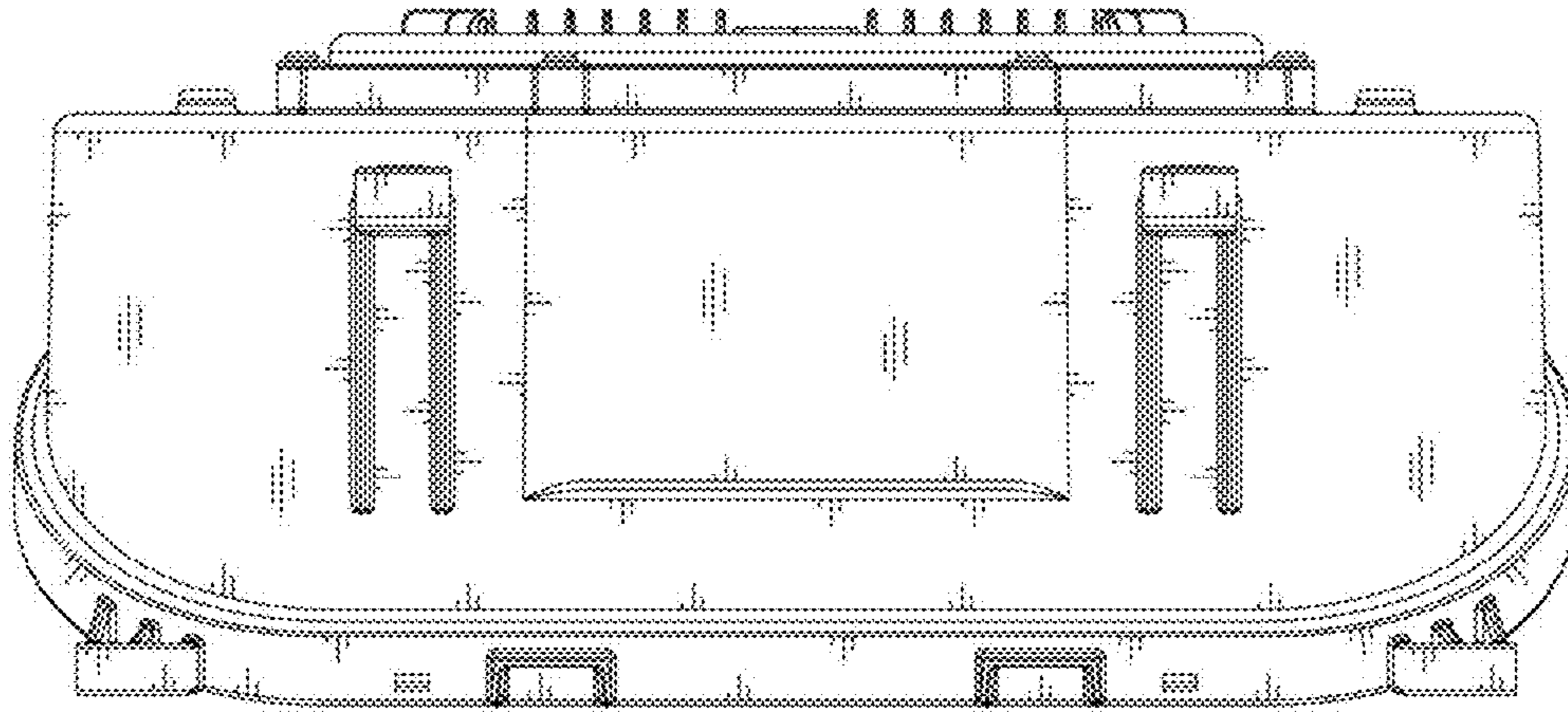


FIG. 9

