



US00D838881S

(12) **United States Design Patent**
Kuriki et al.

(10) **Patent No.:** **US D838,881 S**

(45) **Date of Patent:** **** Jan. 22, 2019**

(54) **REAR COMBINATION LAMP FOR MOTORCYCLE**

(71) Applicant: **HONDA MOTOR CO., LTD.**, Tokyo (JP)

(72) Inventors: **Daisuke Kuriki**, Wako (JP); **Yasuhiro Sato**, Wako (JP)

(73) Assignee: **HONDA MOTOR CO., LTD.**, Tokyo (JP)

(**) Term: **15 Years**

(21) Appl. No.: **29/618,118**

(22) Filed: **Sep. 19, 2017**

(30) **Foreign Application Priority Data**

Mar. 24, 2017 (JP) 2017-006082

(51) **LOC (11) Cl.** **26-06**

(52) **U.S. Cl.**
USPC **D26/28**

(58) **Field of Classification Search**
USPC D26/24, 29-36, 93, 106, 107, 108, 110, D26/112
CPC F21S 48/00; F21S 48/10; F21S 48/115; F21S 48/1233
See application file for complete search history.

(56) **References Cited**

U.S. PATENT DOCUMENTS

D550,383 S * 9/2007 Asai D26/28
D561,358 S * 2/2008 Tachibana D26/28

D592,333 S * 5/2009 Hsu D26/28
D631,585 S * 1/2011 Koizumi D26/28
D650,500 S * 12/2011 Futschik D26/28
D654,197 S * 2/2012 Szews D26/28
D657,894 S * 4/2012 Frenzel D26/28
D741,521 S * 10/2015 Sagawa D26/28
D746,493 S * 12/2015 Watanuki D26/28
D757,967 S * 5/2016 Kim D26/28
D825,800 S * 8/2018 Peterson D26/28

* cited by examiner

Primary Examiner — Mark A Goodwin

Assistant Examiner — Benjamin M Weeks

(74) *Attorney, Agent, or Firm* — Birch, Stewart, Kolasch & Birch, LLP

(57) **CLAIM**

The ornamental design for a rear combination lamp for motorcycle, as shown and described.

DESCRIPTION

FIG. 1 is a front right perspective view of a rear combination lamp for motorcycle.
FIG. 2 is a front left perspective view thereof.
FIG. 3 is a front elevation view thereof.
FIG. 4 is a right side elevation view thereof; and,
FIG. 5 is a top plan view thereof.
The broken lines shown in the drawings illustrate portions of the rear combination lamp for motorcycle that form no part of the claimed design.

1 Claim, 5 Drawing Sheets

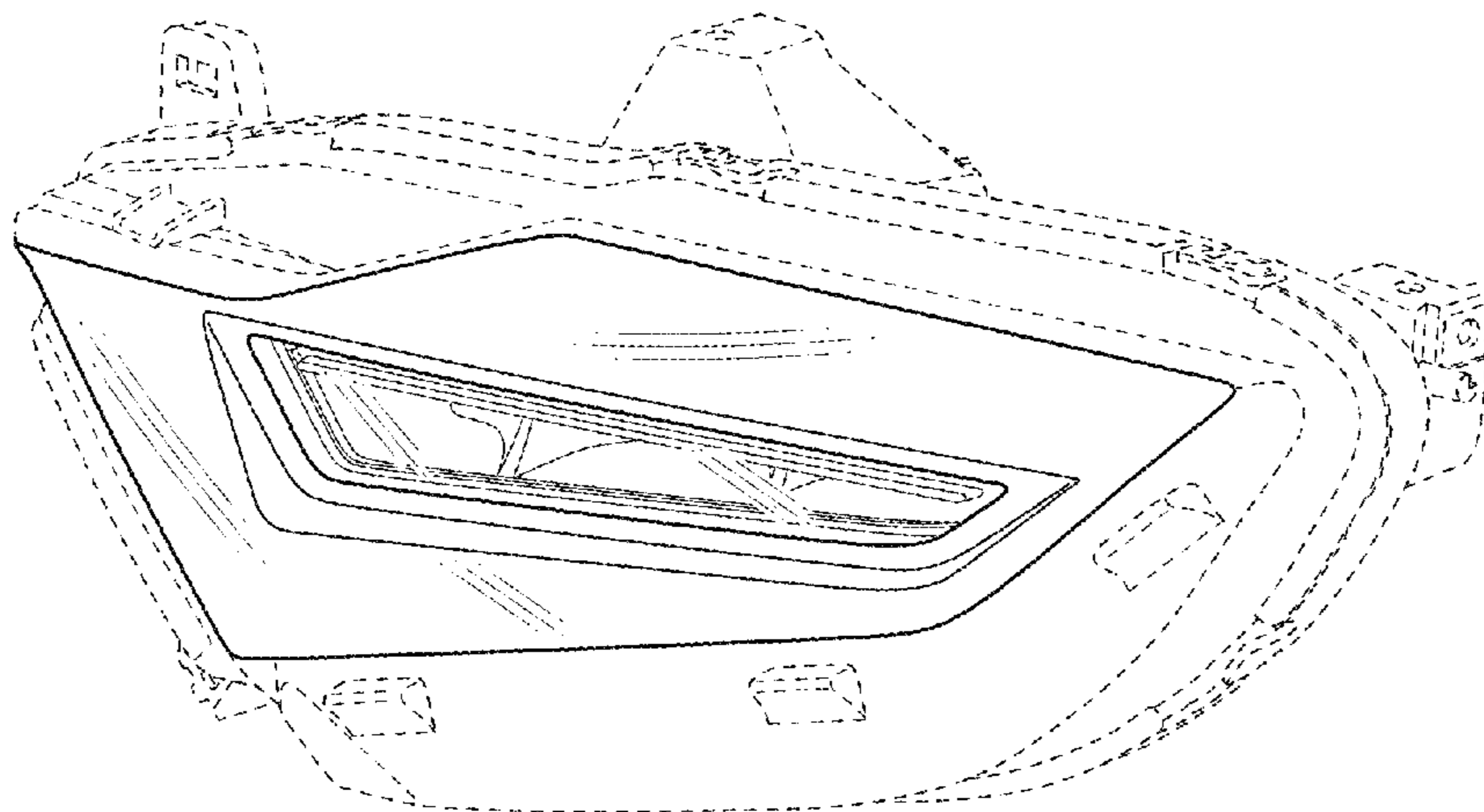


FIG. 1

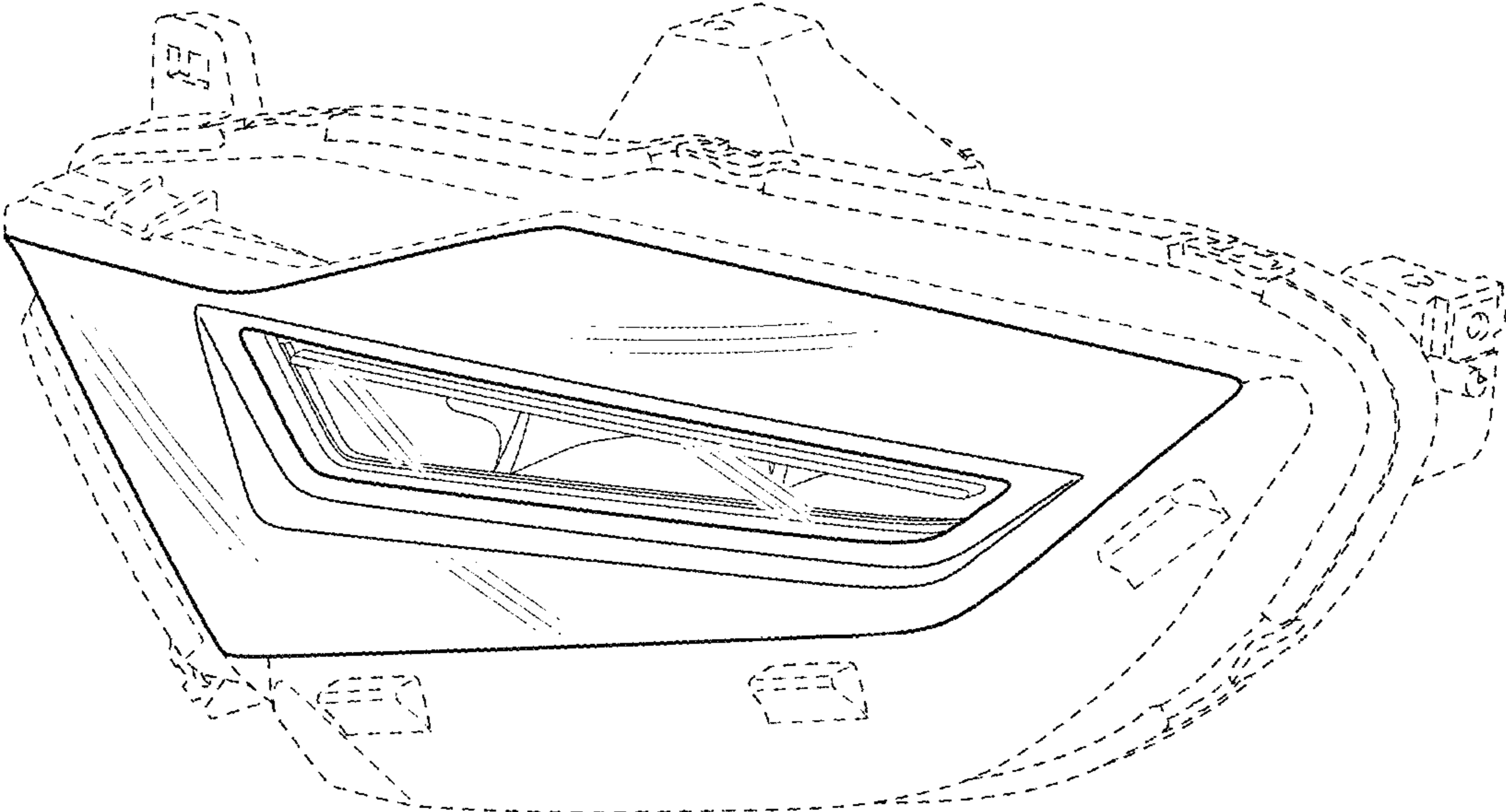


FIG. 2

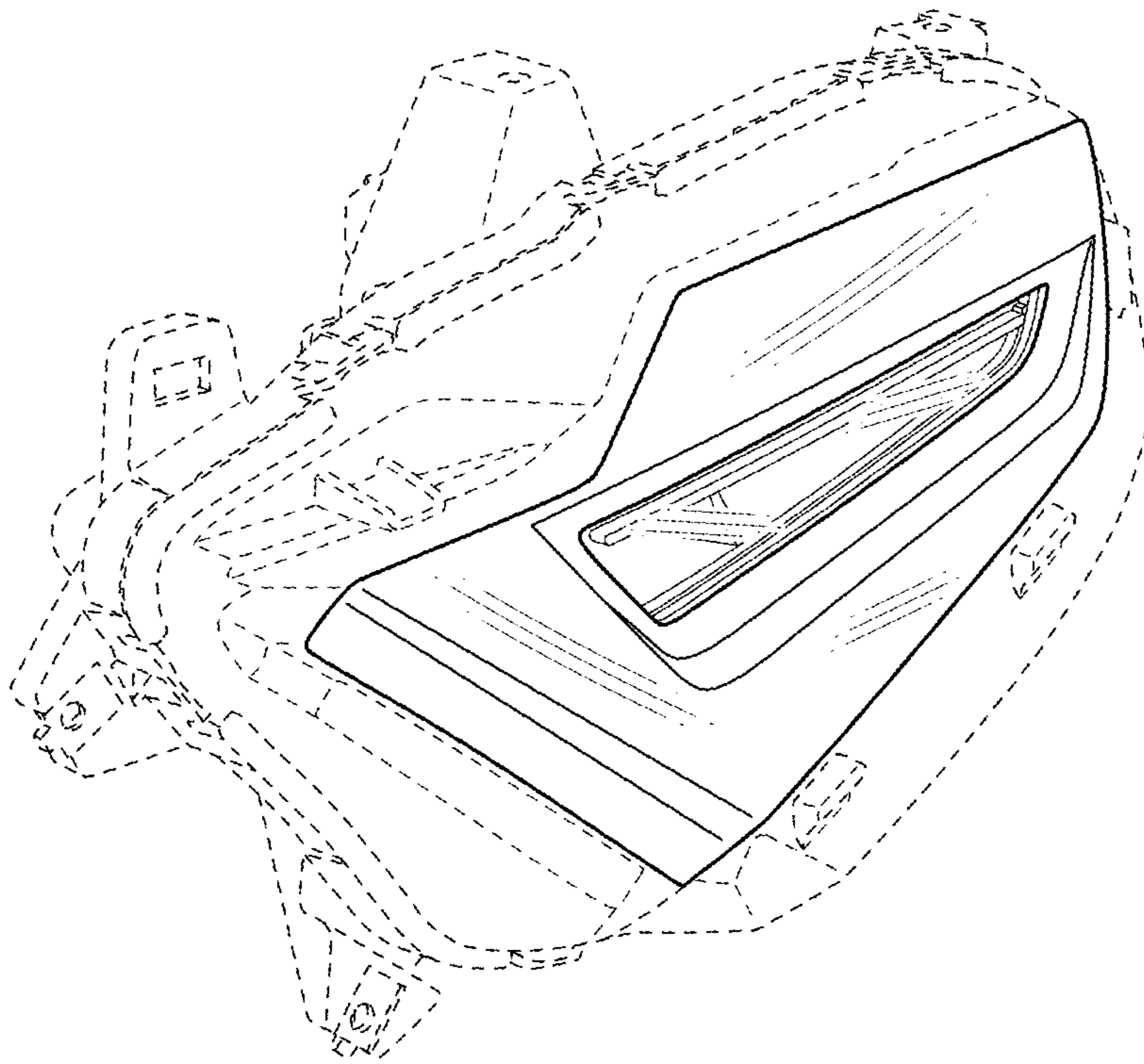


FIG. 3

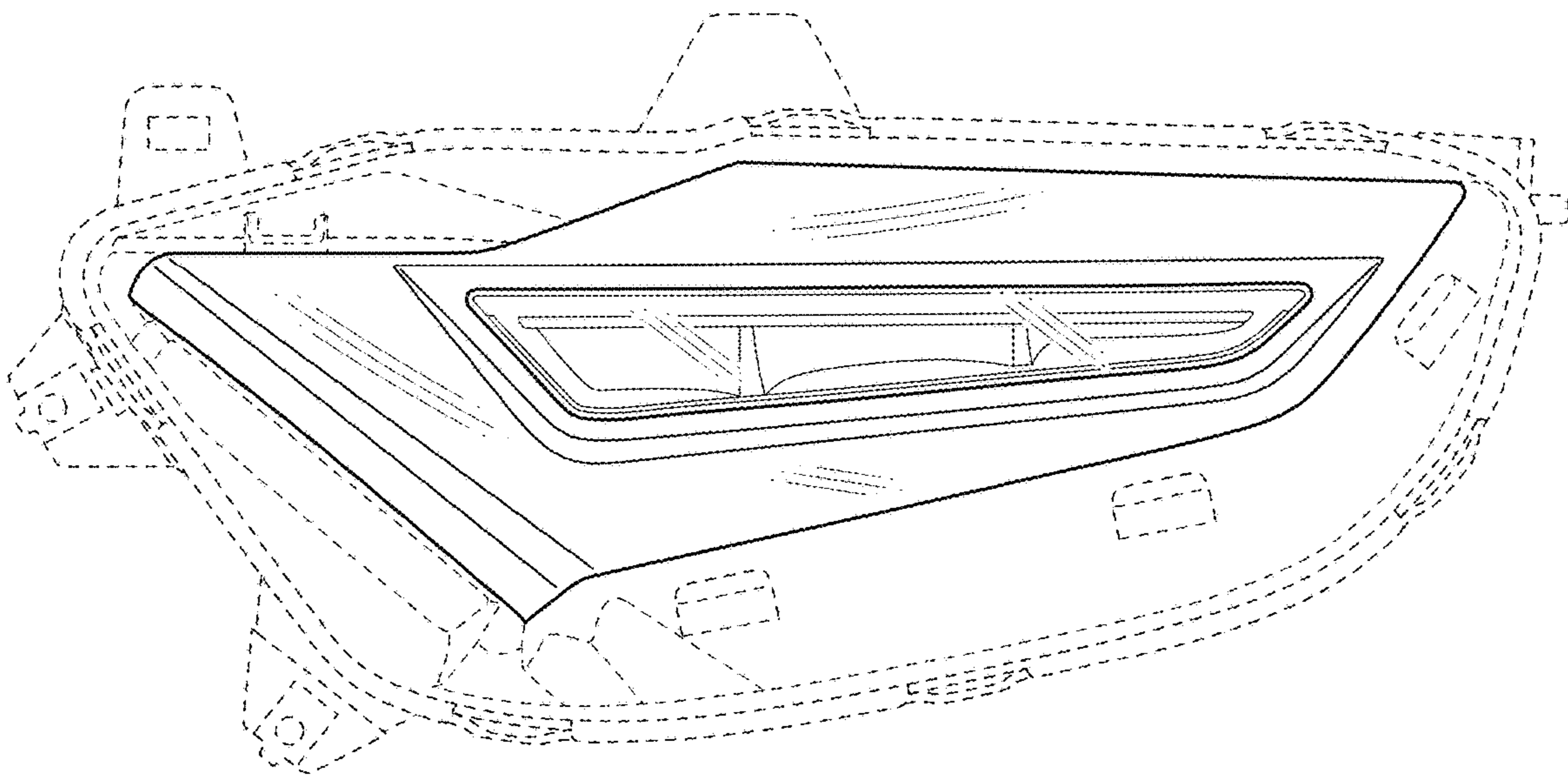


FIG. 4

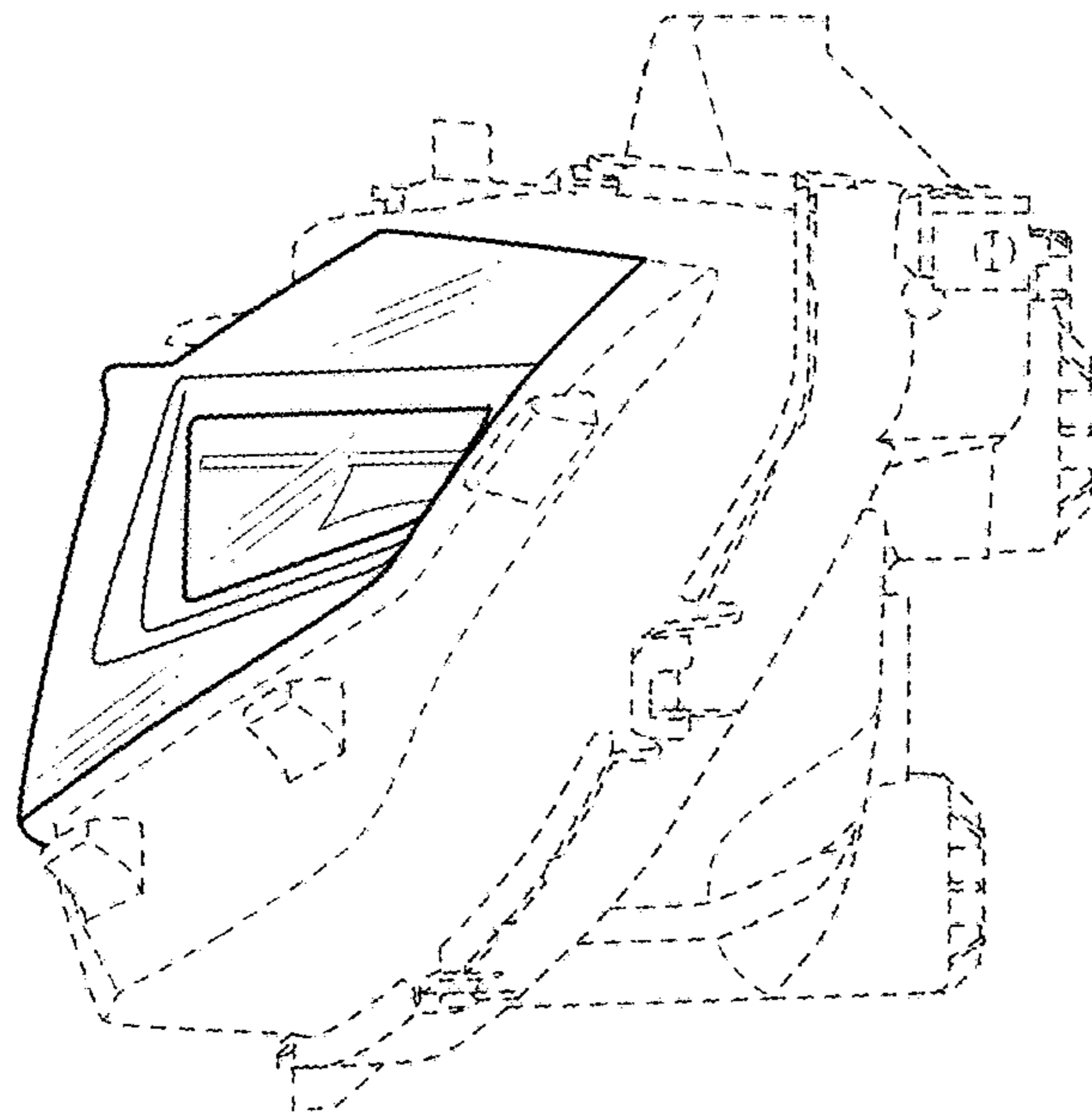


FIG. 5

