



US00D838870S

(12) **United States Design Patent**  
**Chen**

(10) **Patent No.:** **US D838,870 S**

(45) **Date of Patent:** **\*\* Jan. 22, 2019**

(54) **LED LAMP**

(56) **References Cited**

(71) Applicant: **PHILIPS LIGHTING HOLDING B.V.**, Eindhoven (NL)

(72) Inventor: **Xian Yun Chen**, Shanghai (CN)

(73) Assignee: **PHILIPS LIGHTING HOLDING B.V.**, Eindhoven (NL)

(\*\*) Term: **15 Years**

(21) Appl. No.: **29/627,820**

(22) Filed: **Nov. 29, 2017**

(30) **Foreign Application Priority Data**

May 30, 2017 (EM) ..... 004023711-0001

(51) **LOC (11) Cl.** ..... **26-04**

(52) **U.S. Cl.**  
USPC ..... **D26/2**

(58) **Field of Classification Search**  
USPC ..... D26/1-4  
CPC ..... H01R 5/00; H01R 13/46; H01R 13/514;  
H01R 31/048; H01R 31/02; H01J 5/00;  
H01J 5/16; H01J 15/00; H01J 5/48; H01J  
5/50; H01J 19/54; F21V 5/00; F21V  
13/00; F21V 29/004

See application file for complete search history.

U.S. PATENT DOCUMENTS

D739,967 S *	9/2015	Qin	.....	D26/2
D743,586 S *	11/2015	Bosua	.....	D26/2
D750,287 S *	2/2016	Cai	.....	D26/2
D759,858 S *	6/2016	Li	.....	D26/2
D780,956 S *	3/2017	Kwong	.....	D26/2
D794,838 S *	8/2017	Chang	.....	D26/2

\* cited by examiner

*Primary Examiner* — Marcus A Jackson

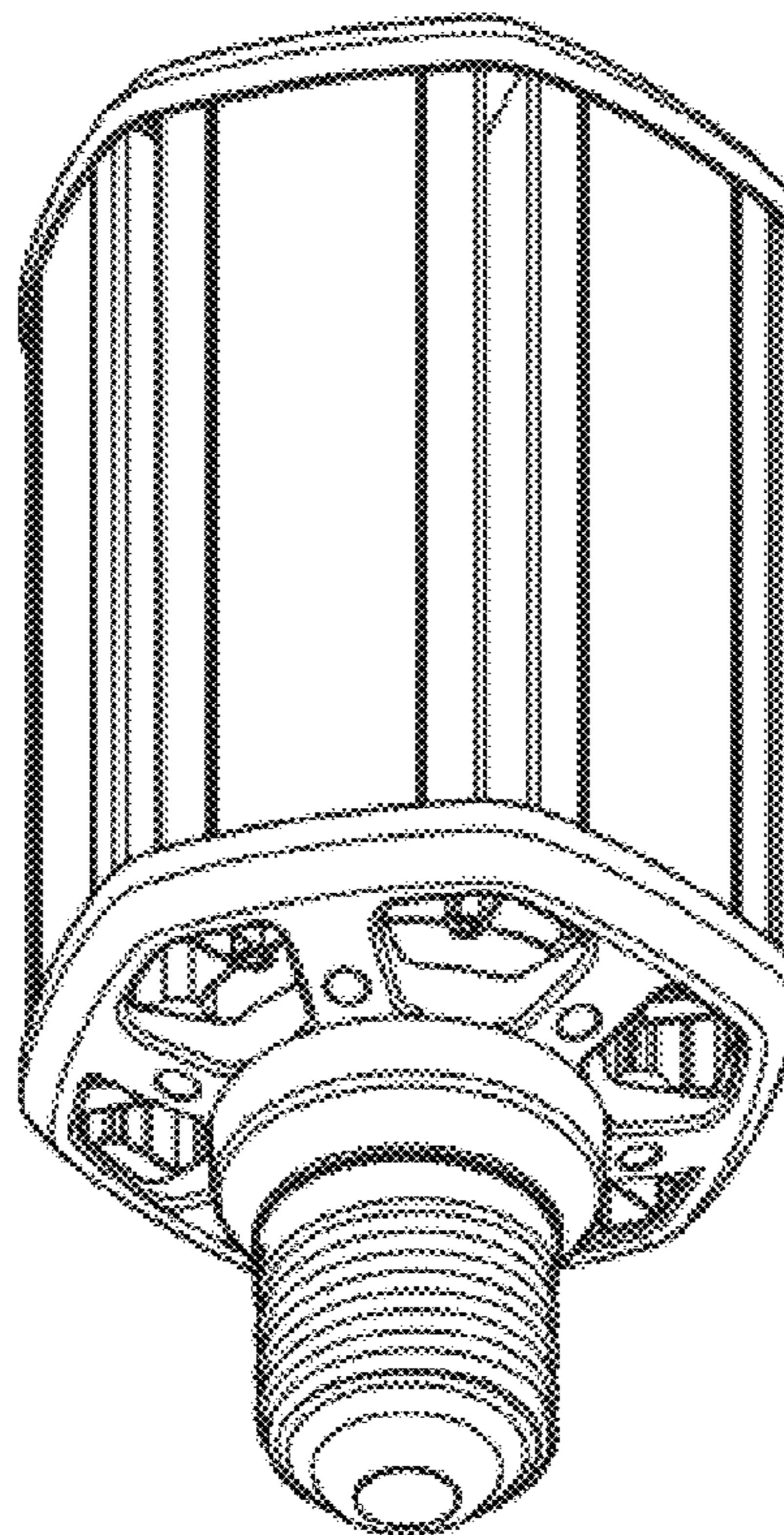
(57) **CLAIM**

The ornamental design for a “LED lamp,” as shown and described.

**DESCRIPTION**

FIG. 1 is a perspective view showing my design; FIG. 2 is a front elevational view thereof; FIG. 3 is a rear elevational view thereof; FIG. 4 is a right side elevational view thereof; FIG. 5 is a left side elevational view thereof; FIG. 6 is a top plan view thereof; and, FIG. 7 is a bottom plan view thereof. The dash-dot-dash broken lines shown represent the bounds of the claim and forms no part thereof and the dashed broken lines shown therein illustrate portions of the LED lamp that form no part of the claimed design.

**1 Claim, 4 Drawing Sheets**



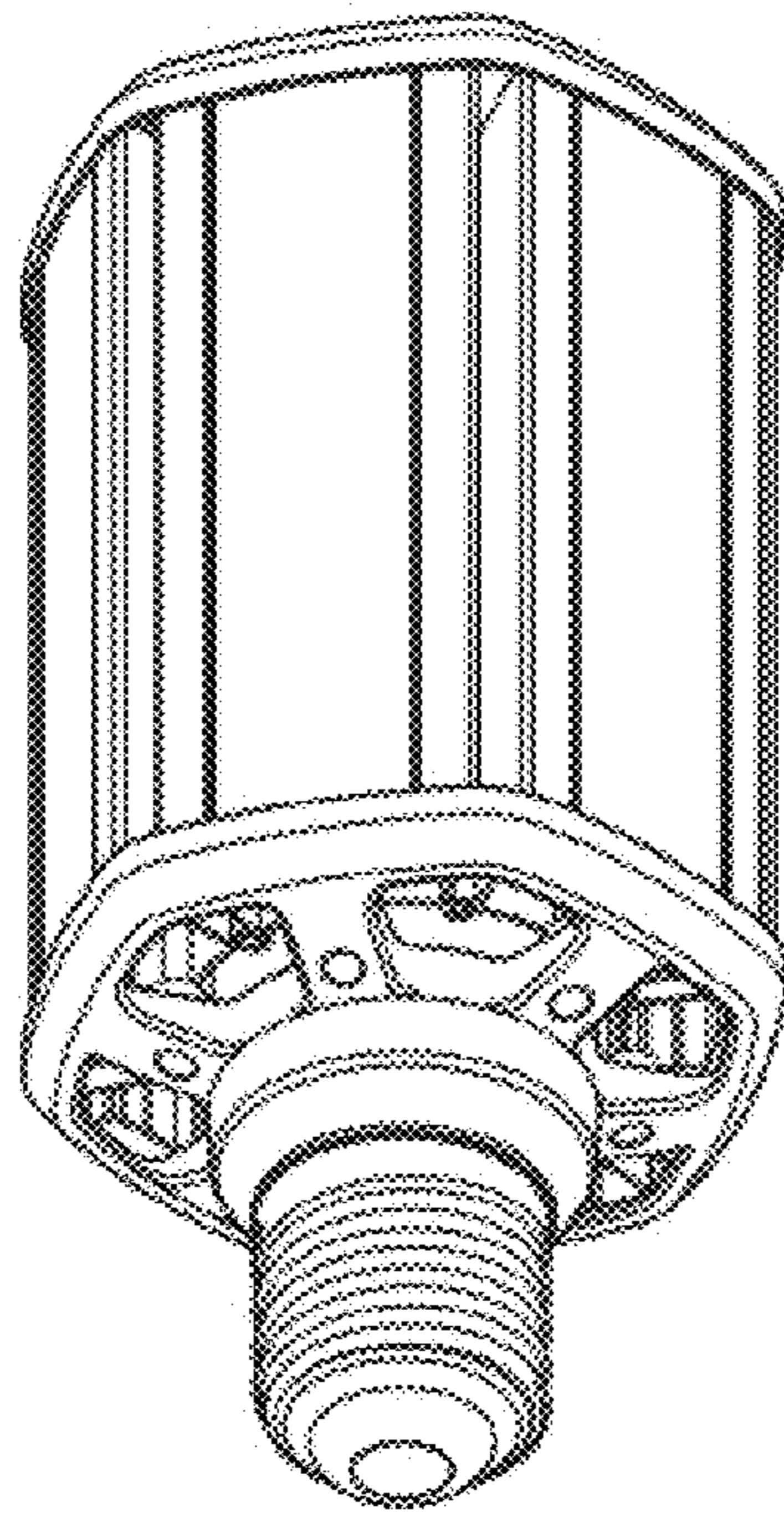


FIG. 1

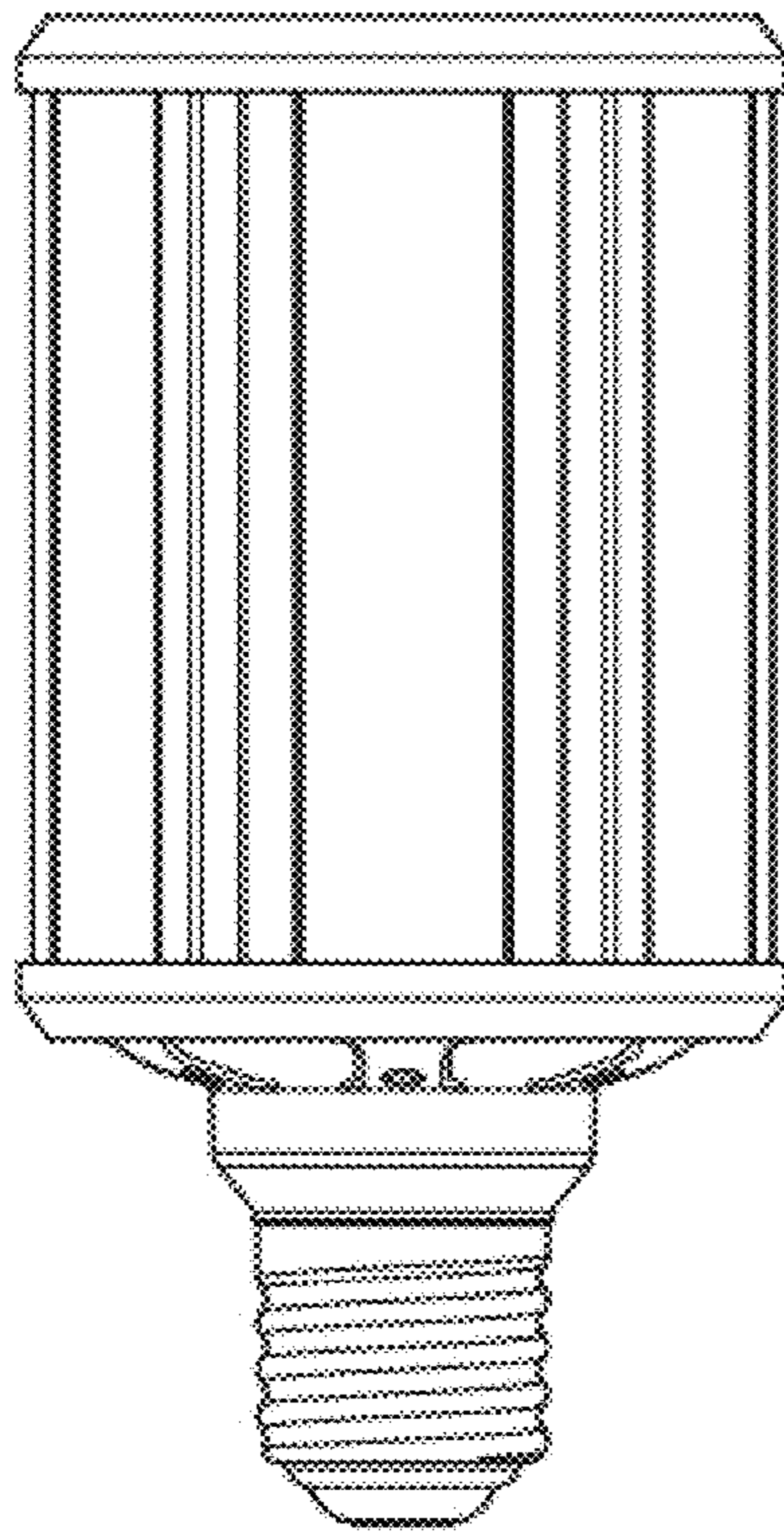


FIG. 2

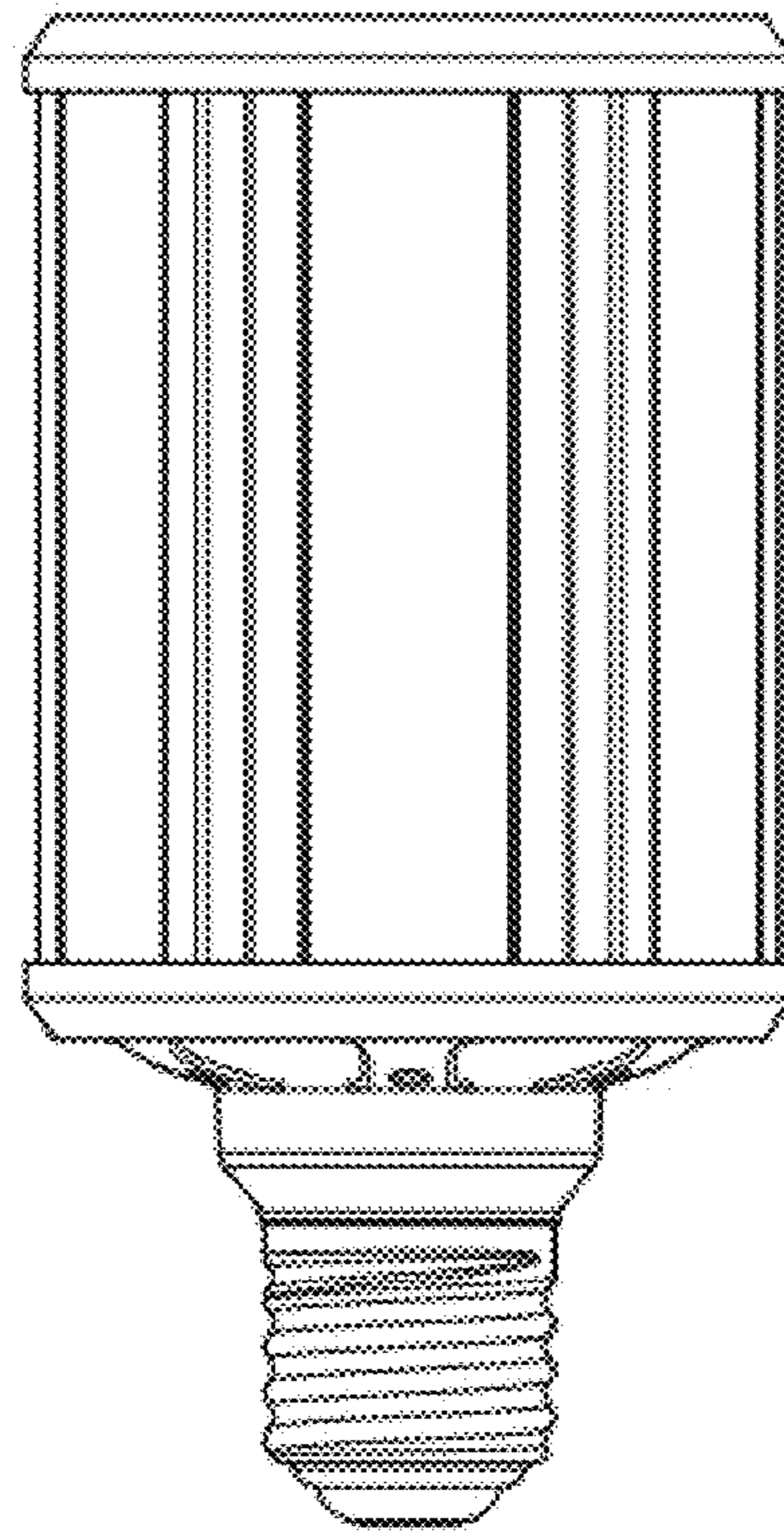


FIG. 3



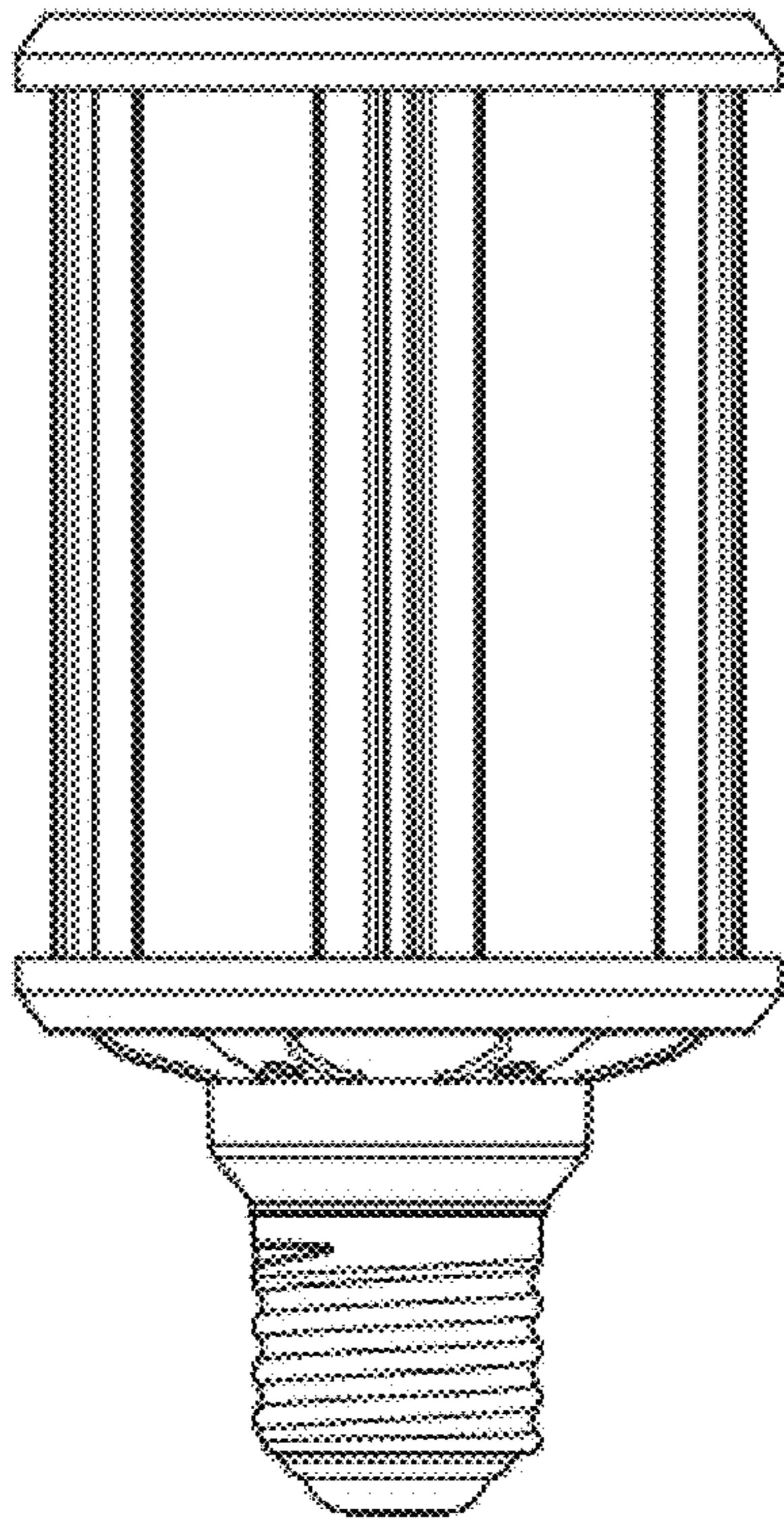


FIG. 4

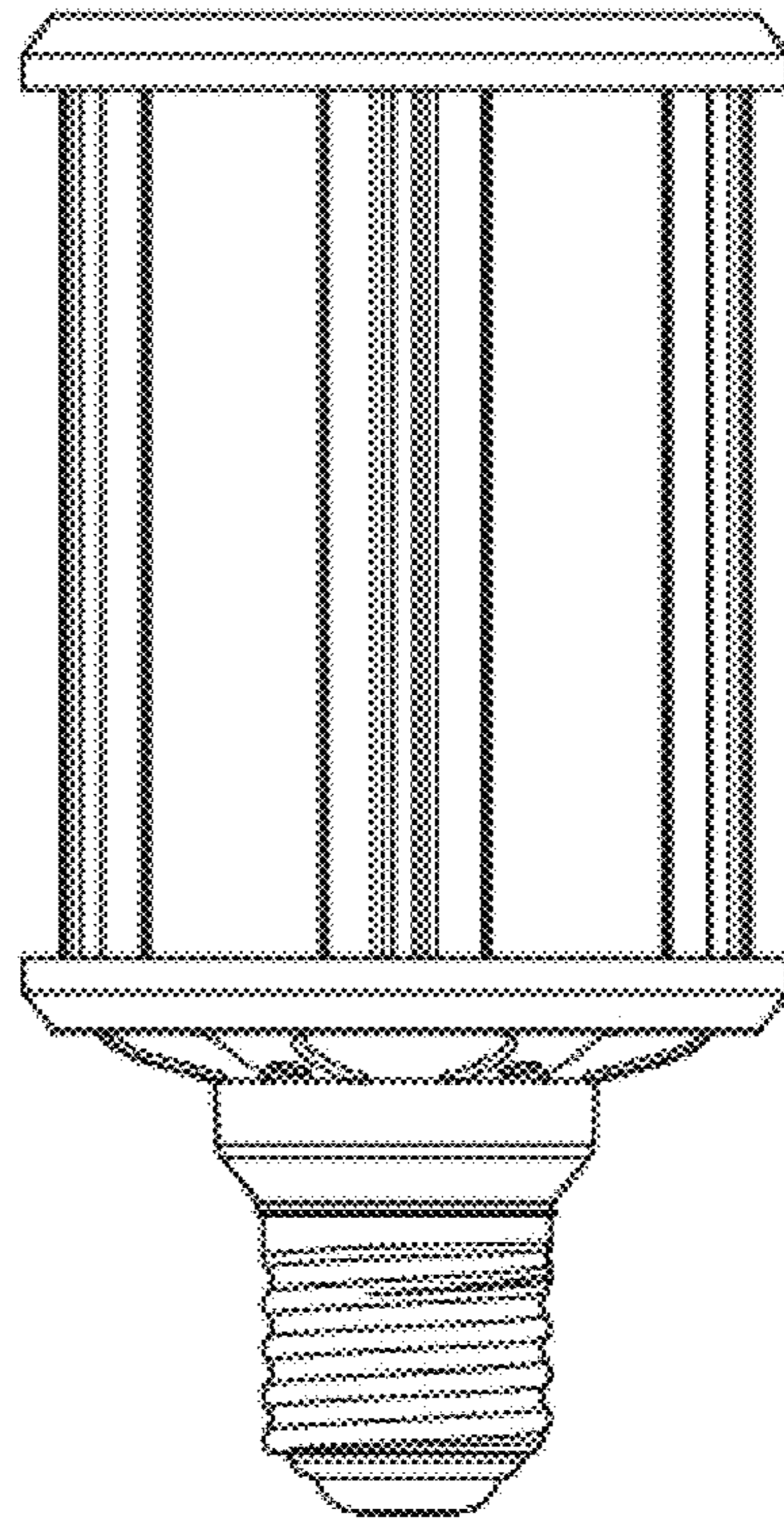


FIG. 5

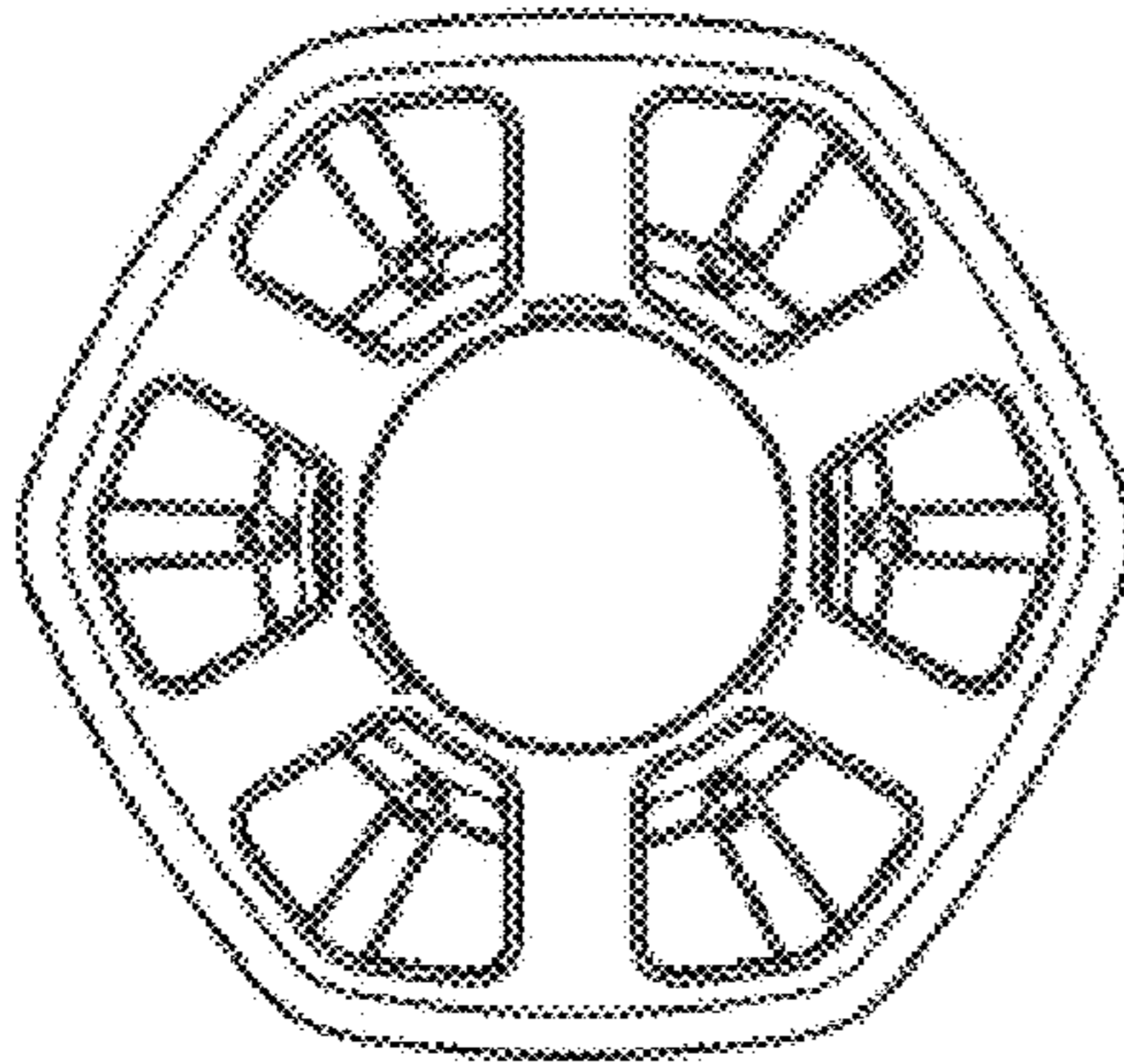


FIG. 6

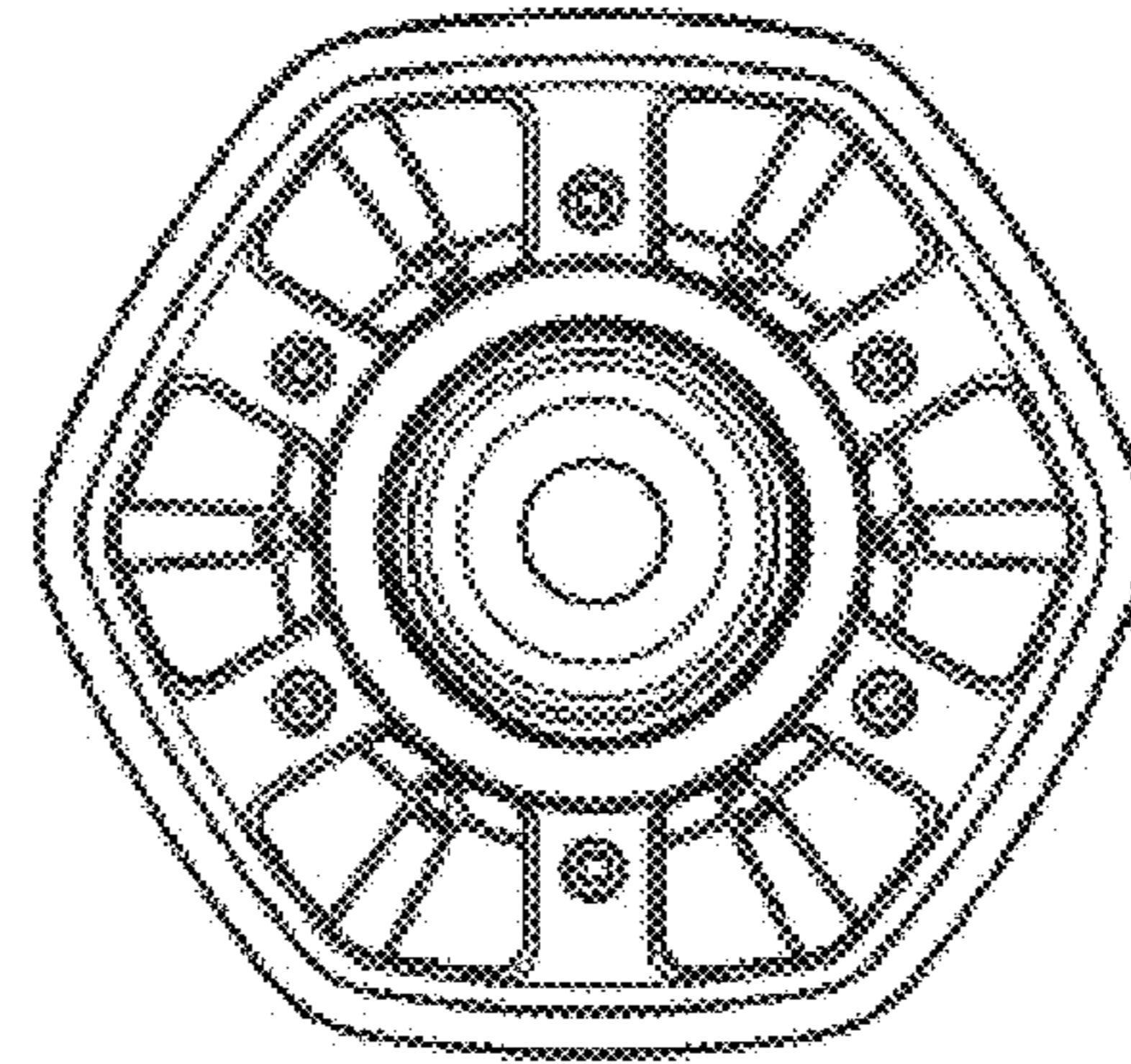


FIG. 7