



US00D838868S

(12) **United States Design Patent** (10) **Patent No.:** **US D838,868 S**  
**Yang** (45) **Date of Patent:** **\*\* Jan. 22, 2019**

(54) **LED LIGHT BULB**

(56) **References Cited**

(71) Applicant: **SHENZHEN BORUI PHOTOELECTRIC TECHNOLOGY CO., LTD**, Shenzhen (CN)

U.S. PATENT DOCUMENTS

D528,227 S *	9/2006	Chou .....	D26/2
D531,741 S *	11/2006	Takahashi .....	D26/2
D549,360 S *	8/2007	An .....	D26/2
D560,286 S *	1/2008	Maxik .....	D26/2
D662,625 S *	6/2012	Yamamoto .....	D26/2
D673,699 S *	1/2013	Yao .....	D26/2

(72) Inventor: **Jianhui Yang**, Jiedong (CN)

\* cited by examiner

(73) Assignee: **SHENZHEN BORUI PHOTOELECTRIC TECHNOLOGY CO., LTD**, Shenzhen (CN)

*Primary Examiner* — Marcus A Jackson

(\*\*) Term: **15 Years**

(74) *Attorney, Agent, or Firm* — JiangIP LLC; Yanling Jiang

(21) Appl. No.: **29/605,104**

(57) **CLAIM**

The ornamental design for a LED light bulb, as shown and described.

(22) Filed: **May 23, 2017**

**DESCRIPTION**

(51) **LOC (11) Cl.** ..... **26-04**

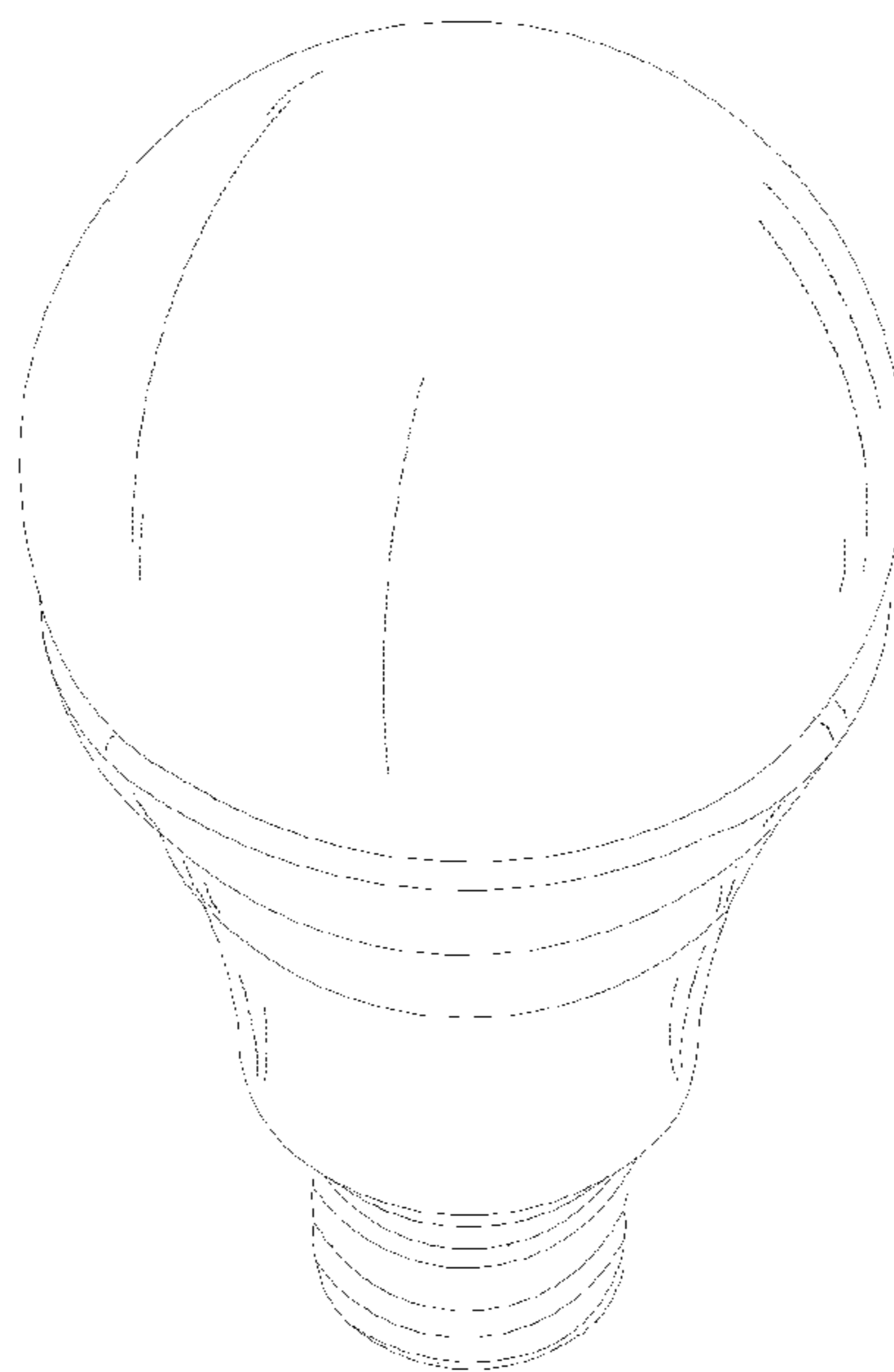
(52) **U.S. Cl.**  
USPC ..... **D26/2**

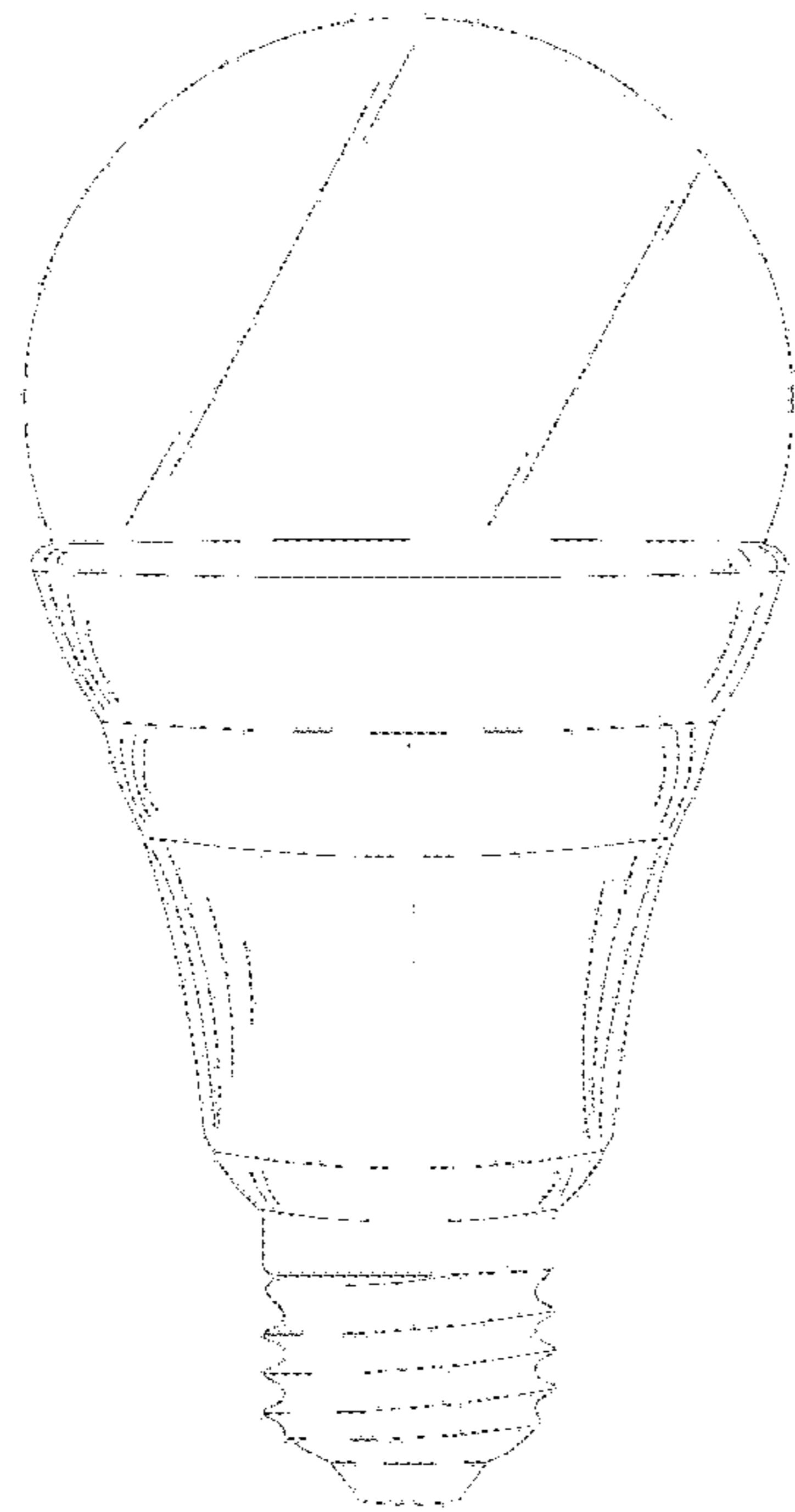
(58) **Field of Classification Search**  
USPC ..... D26/1-4; 313/313, 315, 316, 317, 318, 313/493; 315/52, 53, 56, 57, 58  
CPC ..... H01R 5/00; H01R 13/46; H01R 13/514; H01R 31/048; H01R 31/02; H01J 5/00; H01J 5/16; H01J 15/00; H01J 5/48; H01J 5/50; H01J 19/54; F21V 5/00

FIG. 1 is a front view of a LED light bulb.  
FIG. 2 is a rear view of a LED light bulb.  
FIG. 3 is a top view of a LED light bulb.  
FIG. 4 is a bottom view of a LED light bulb.  
FIG. 5 is a detailed illustration of one embodiment of a LED light bulb.  
FIG. 6 is a perspective view showing a LED light bulb; and,  
FIG. 7 is another perspective view showing a LED light bulb.

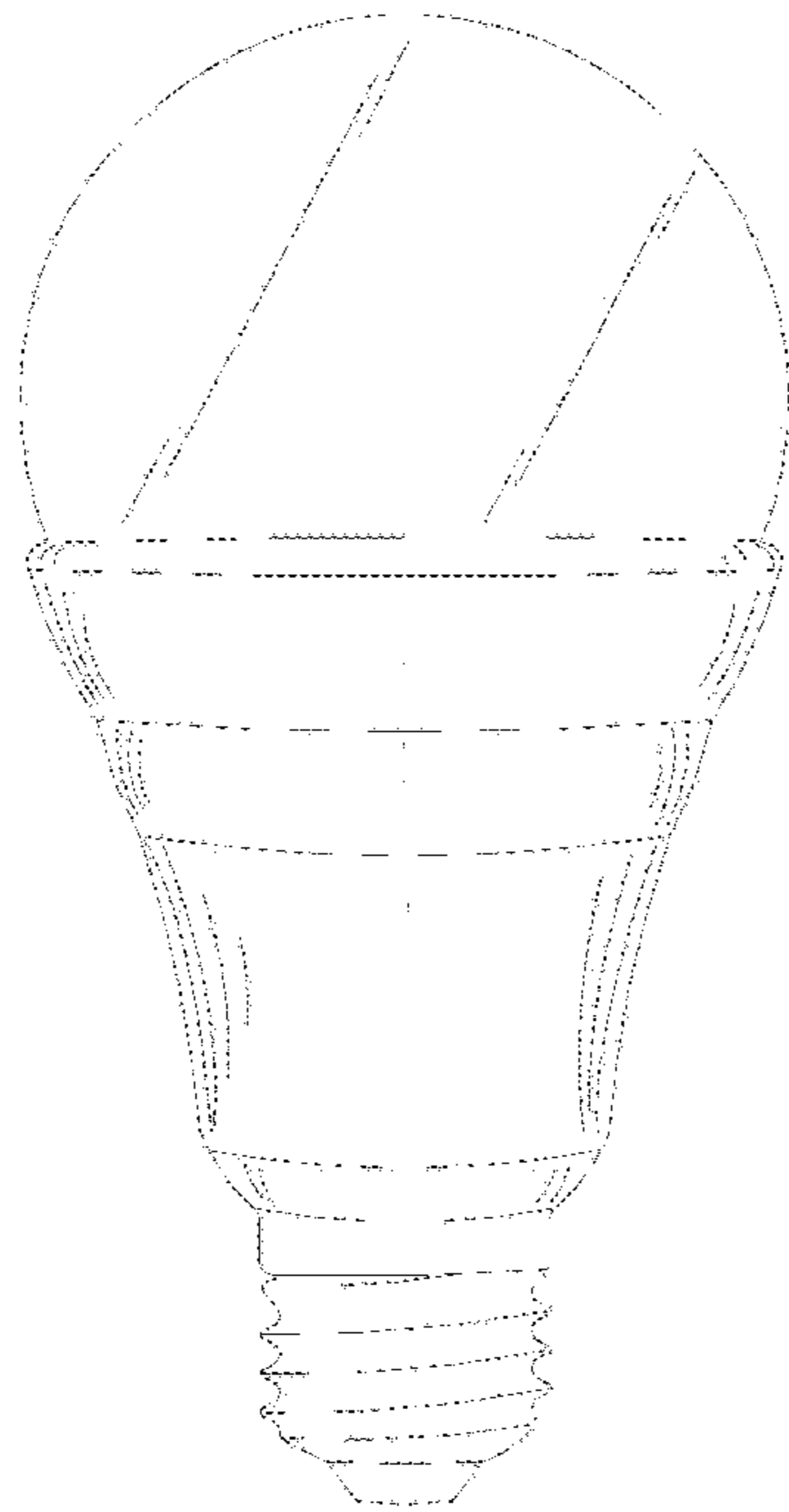
See application file for complete search history.

**1 Claim, 7 Drawing Sheets**

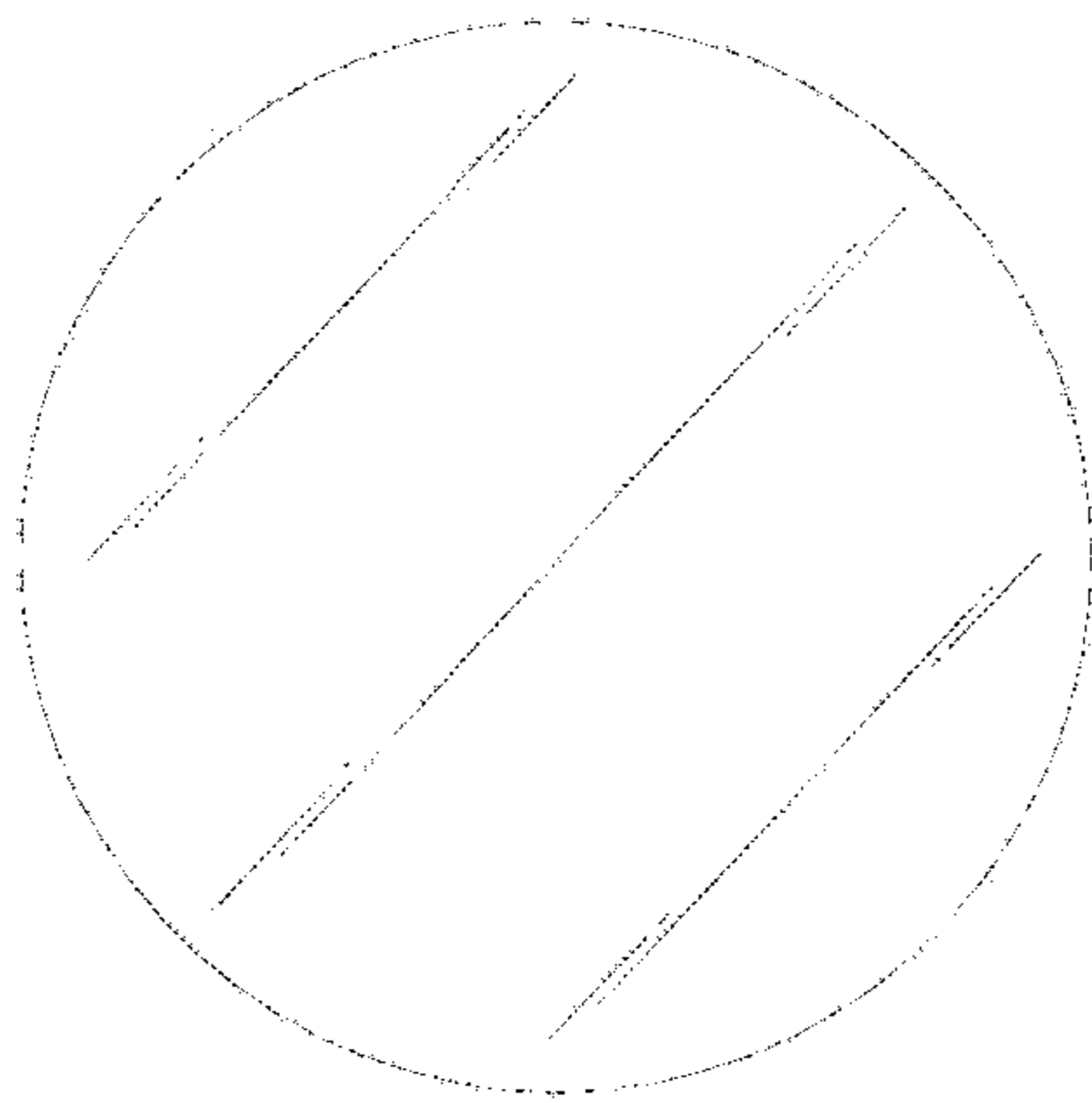




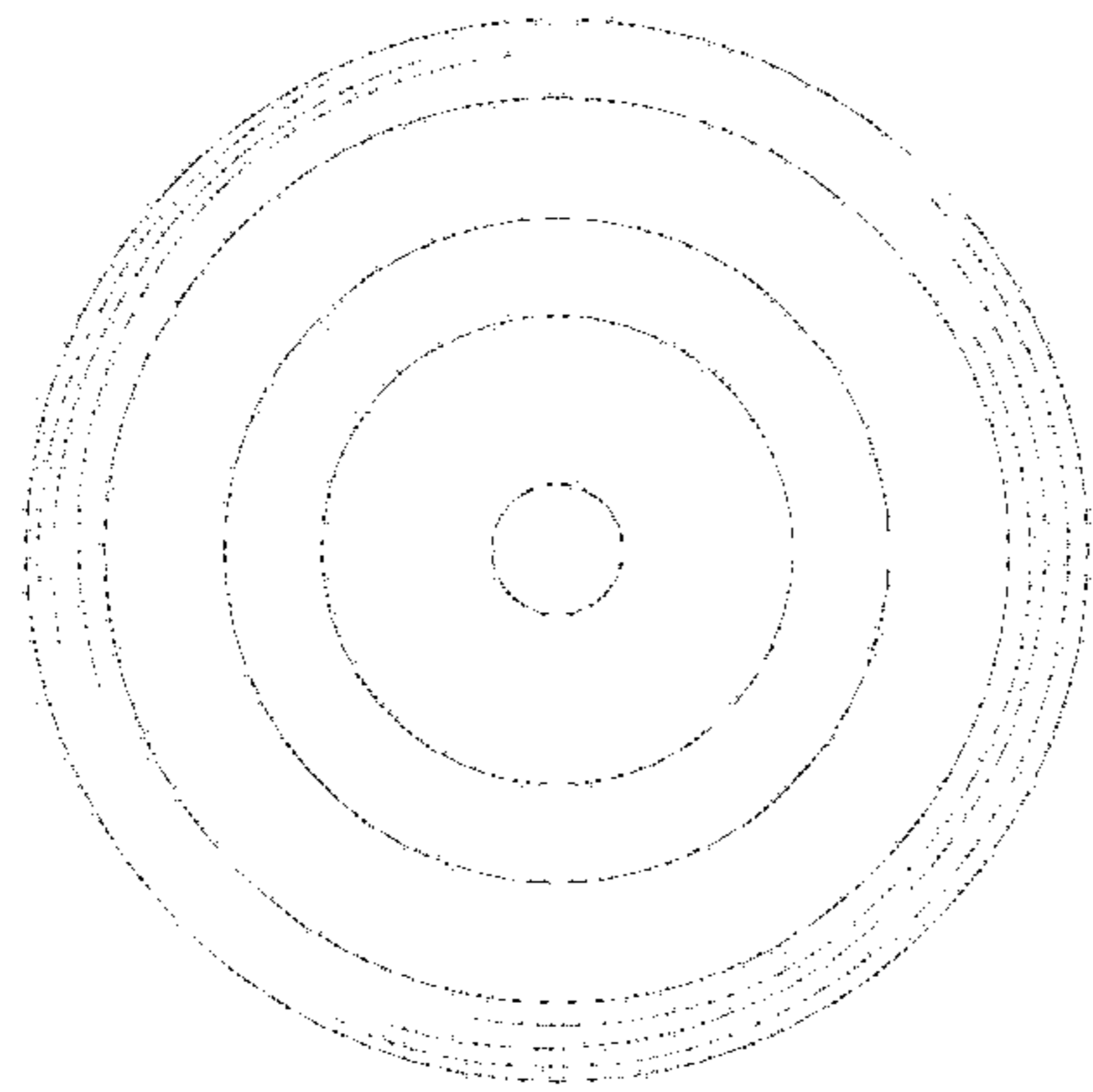
**Fig. 1**



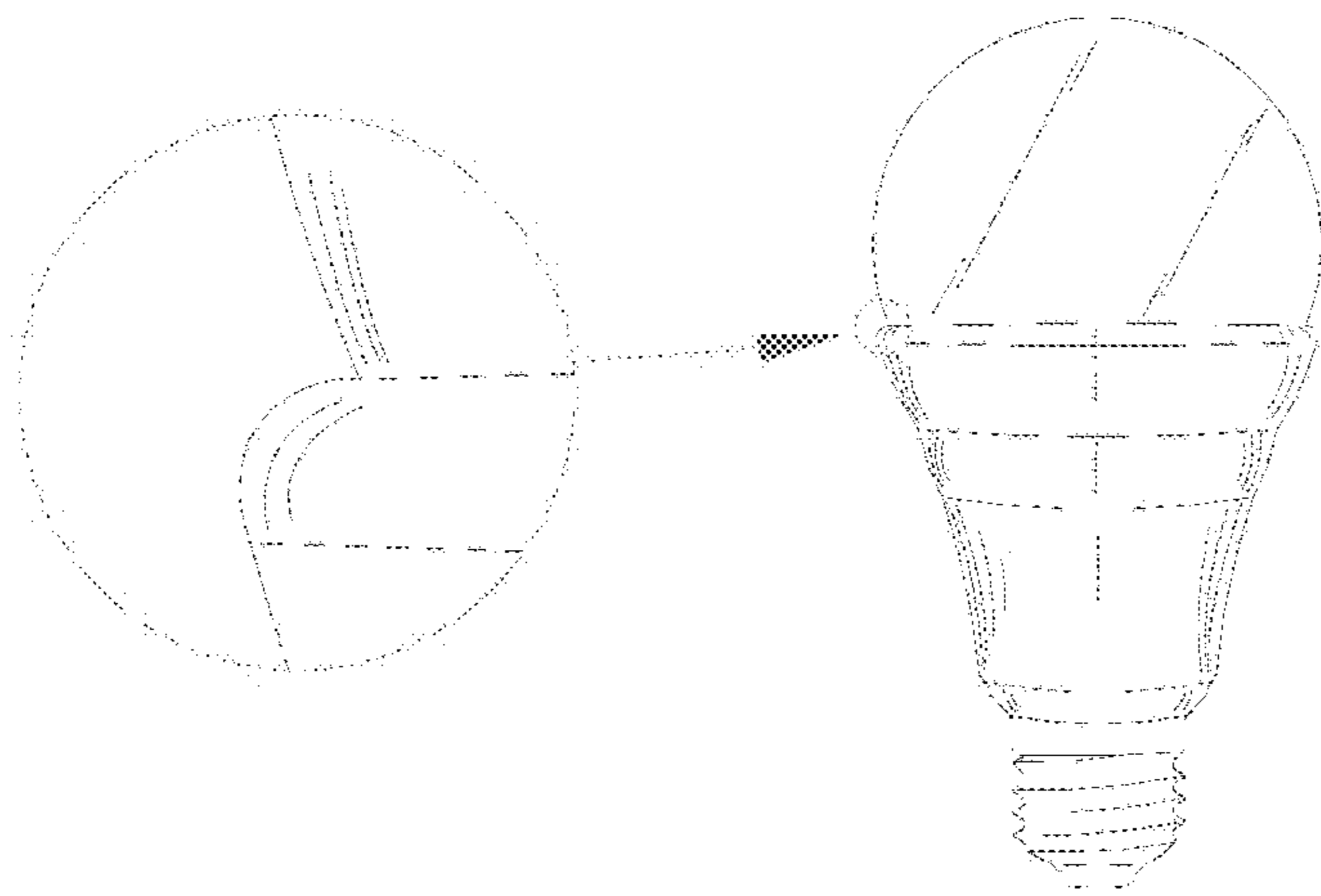
**Fig. 2**



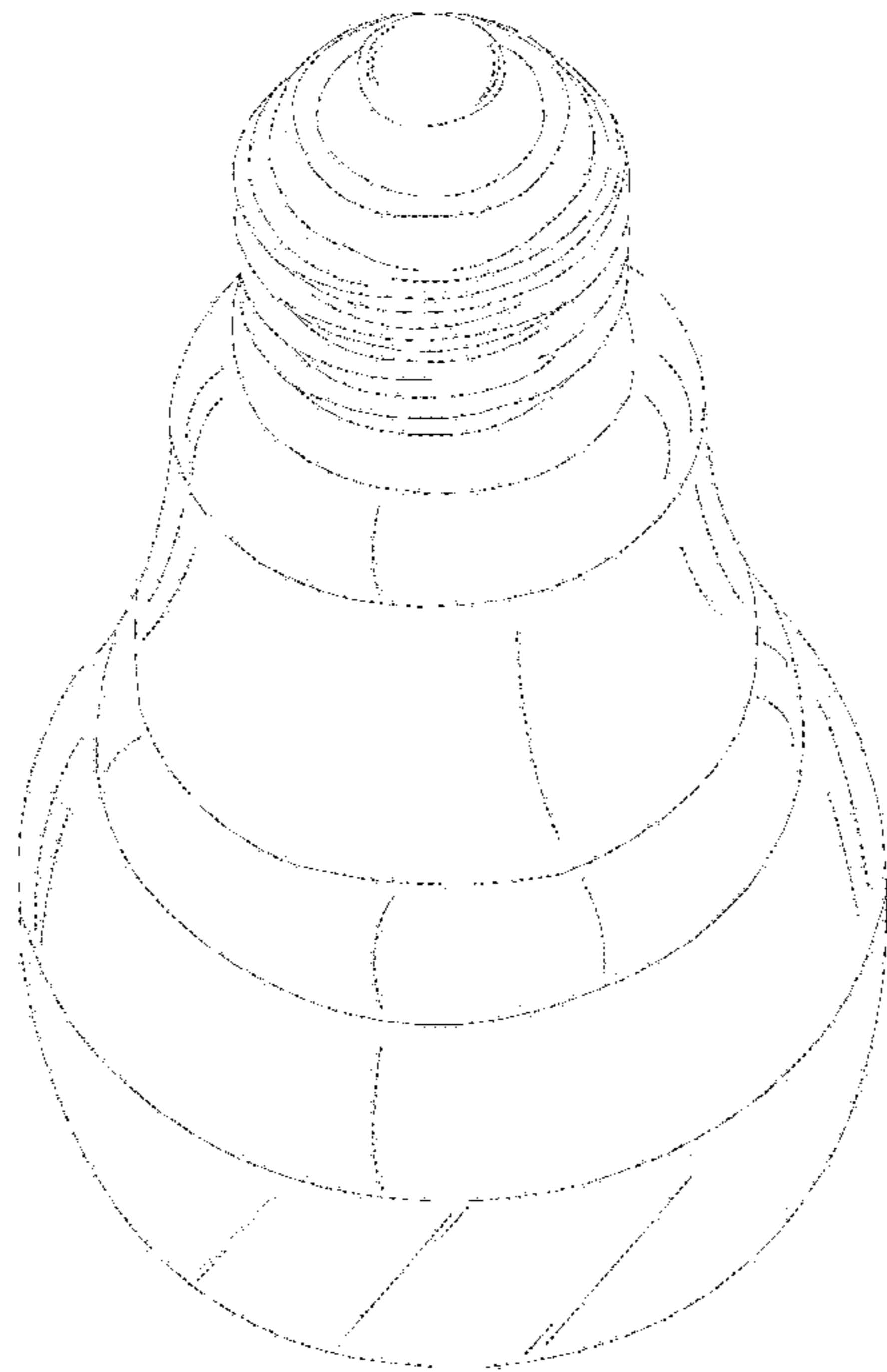
**Fig. 3**



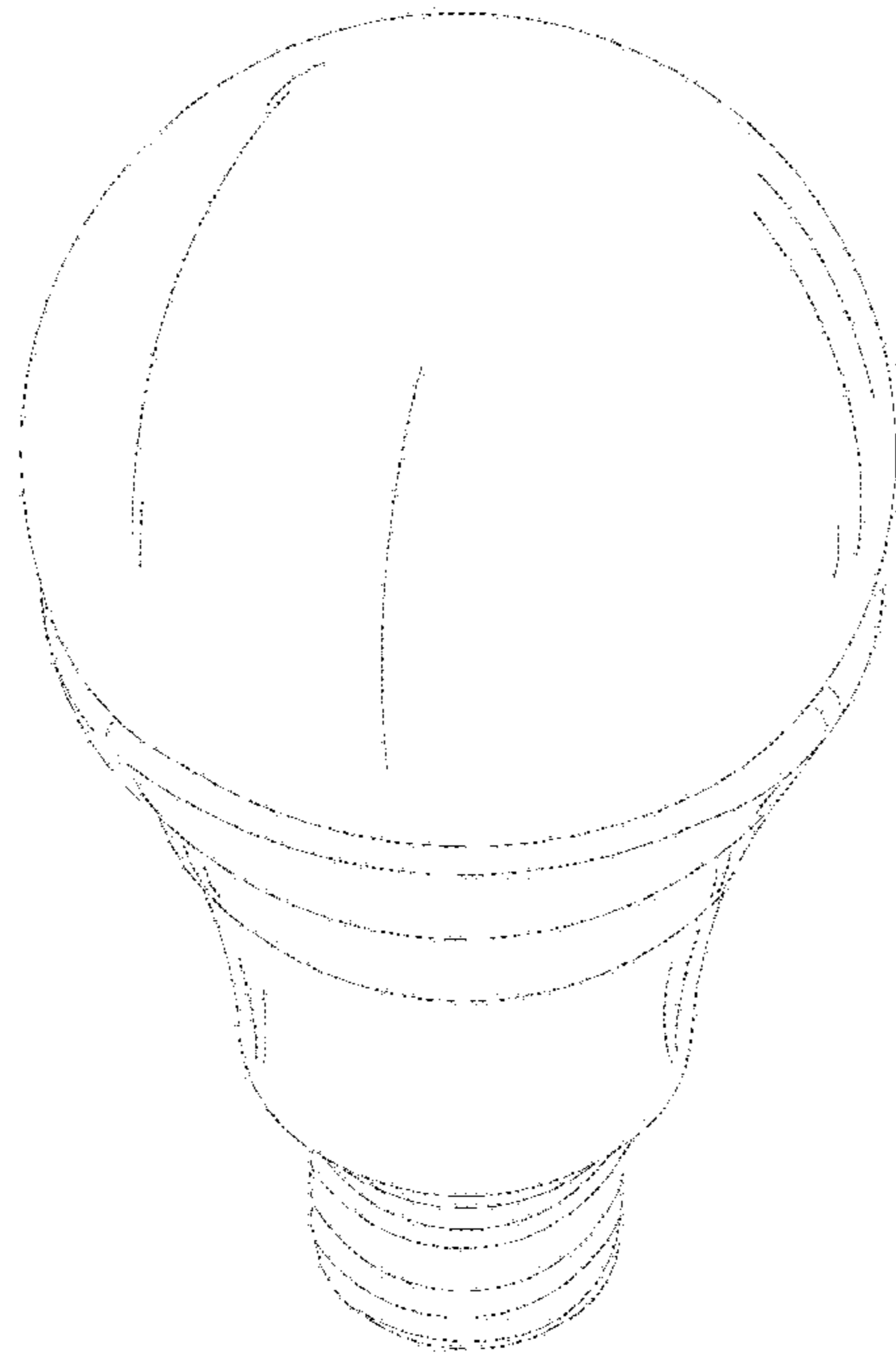
**Fig. 4**



**Fig. 5**



**Fig. 6**



**Fig. 7**