



US00D838867S

(12) **United States Design Patent** (10) **Patent No.:** **US D838,867 S**
Zhu (45) **Date of Patent:** **** Jan. 22, 2019**

(54) **LIGHT EMITTING DIODE**

(71) Applicant: **SHEEN RISE CO., LTD.**, Jinhua, Zhejiang Province (CN)

(72) Inventor: **Ping Zhu**, Hangzhou (CN)

(73) Assignee: **SHEEN RISE CO., LTD.**, Zhejiang Province, Jinhua (CN)

(**) Term: **15 Years**

(21) Appl. No.: **29/601,685**

(22) Filed: **Apr. 25, 2017**

(30) **Foreign Application Priority Data**

Oct. 26, 2016 (CN) 2016 3 0527059

(51) **LOC (11) Cl.** **26-04**

(52) **U.S. Cl.**
USPC **D26/1**

(58) **Field of Classification Search**
USPC D26/1-4
CPC ... F21V 5/00; F21V 17/06; F21V 9/13; F21V 19/001; F21V 19/0025; F21V 19/0015; F21V 19/004; F21V 19/0045; H01J 5/00; H01J 5/48; H01J 5/50

See application file for complete search history.

(56) **References Cited**

U.S. PATENT DOCUMENTS

D708,360 S * 7/2014 Shibata D26/1
D796,701 S * 9/2017 Moon D26/1

* cited by examiner

Primary Examiner — Marcus A Jackson

(74) *Attorney, Agent, or Firm* — Muncy, Geissler, Olds & Lowe, P.C.

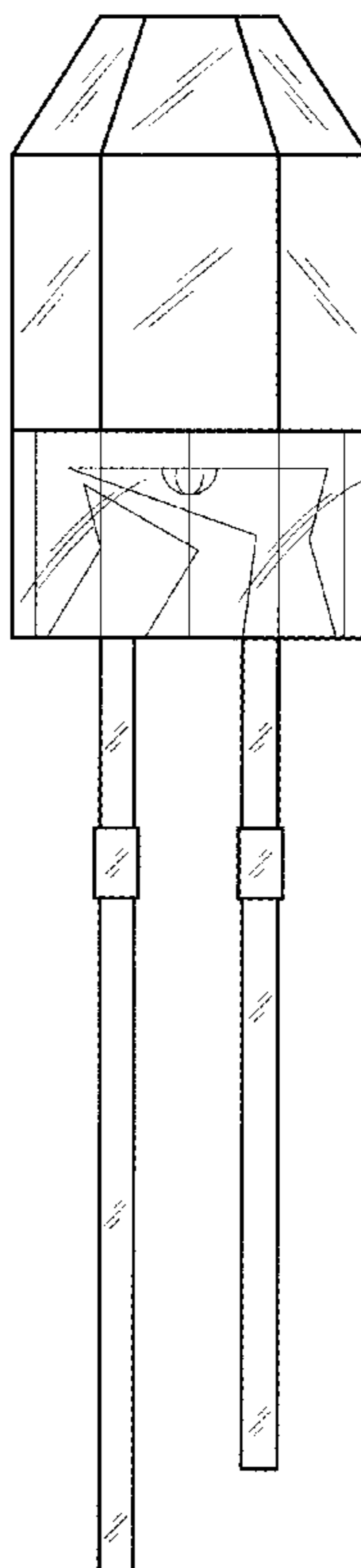
(57) **CLAIM**

The ornamental design for a light emitting diode, as shown and described.

DESCRIPTION

FIG. 1 is a front elevational view of a light emitting diode showing my new design;
FIG. 2 is a top plan view thereof;
FIG. 3 is a bottom plan view thereof;
FIG. 4 is a right side elevational view thereof;
FIG. 5 is a rear elevational view thereof;
FIG. 6 is a left side elevational view thereof;
FIG. 7 is a front, left, top perspective view thereof; and,
FIG. 8 is a rear, right, top perspective view thereof.

1 Claim, 8 Drawing Sheets



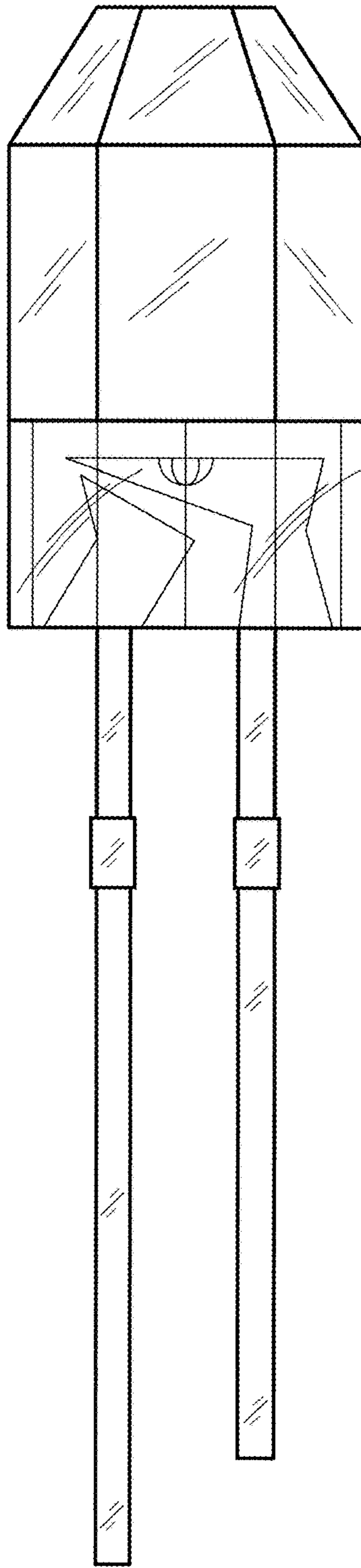


FIG. 1

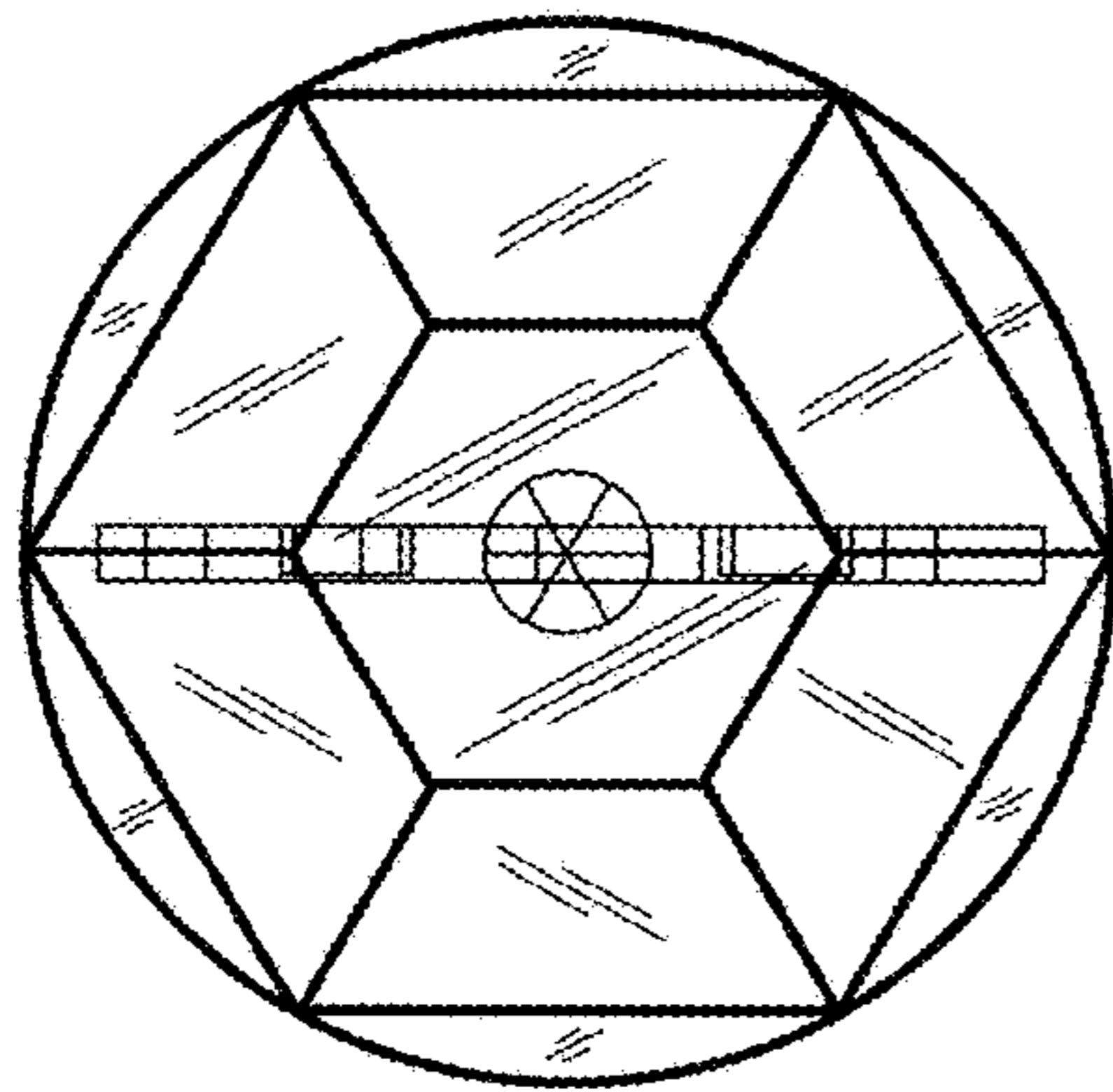


FIG. 2

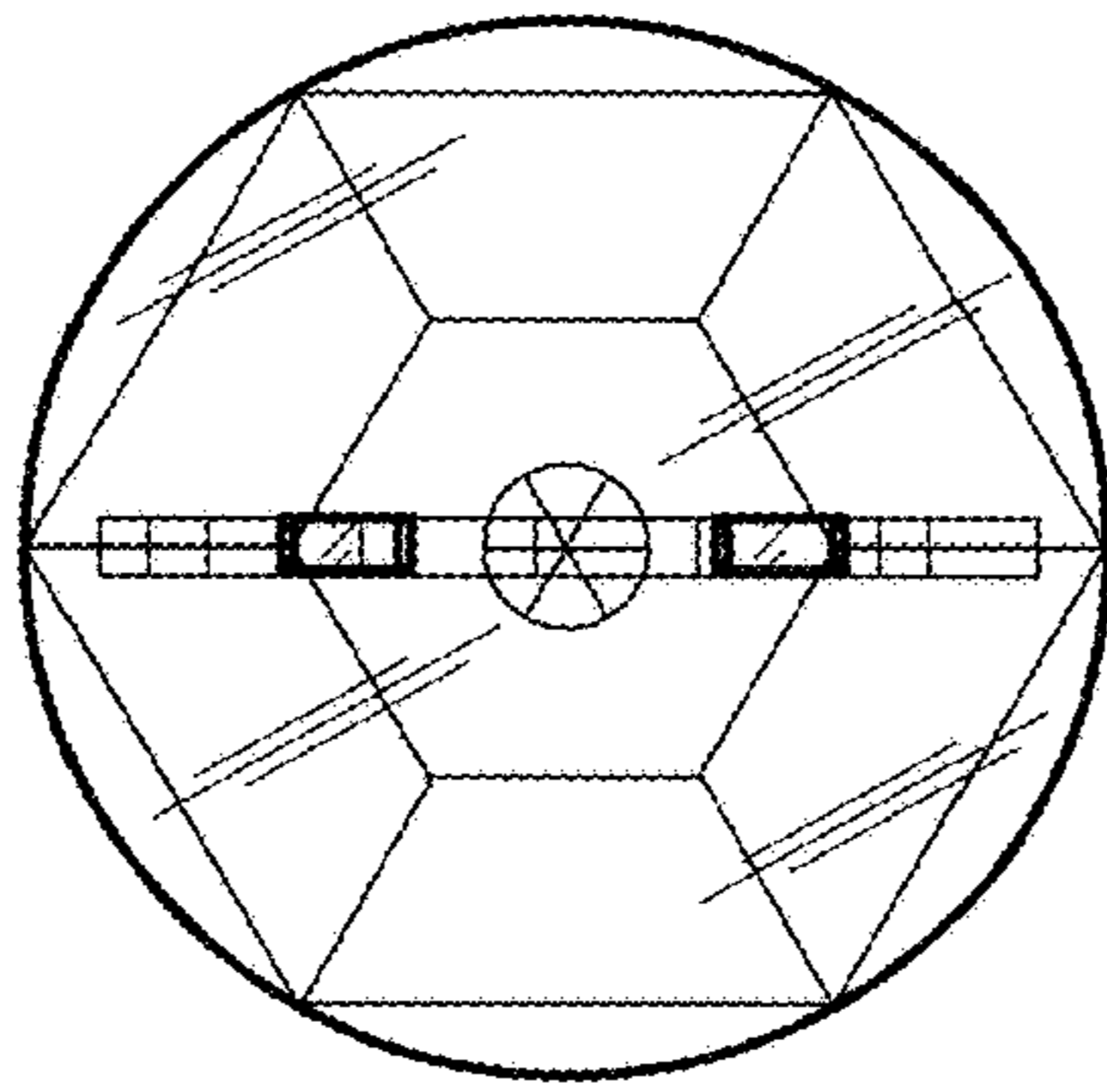


FIG. 3

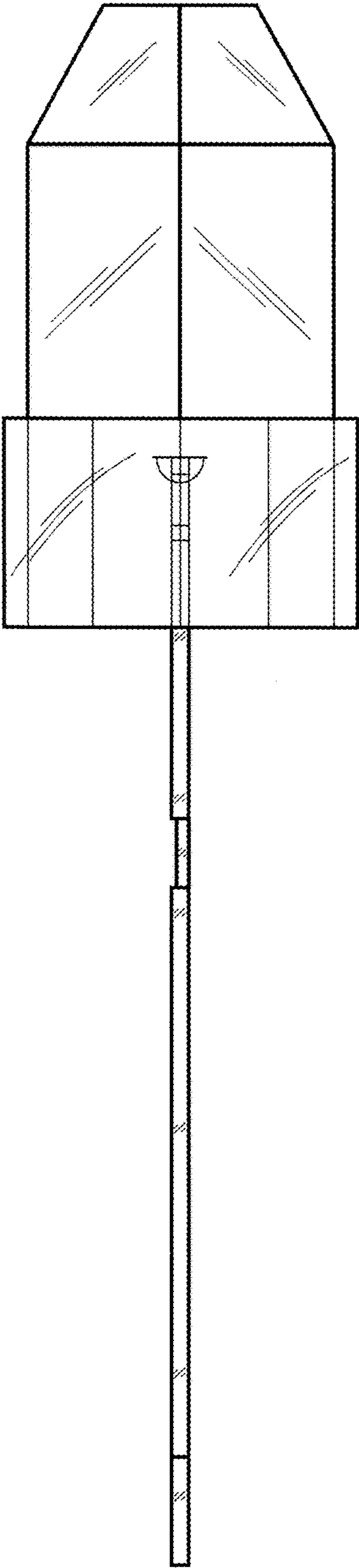


FIG. 4

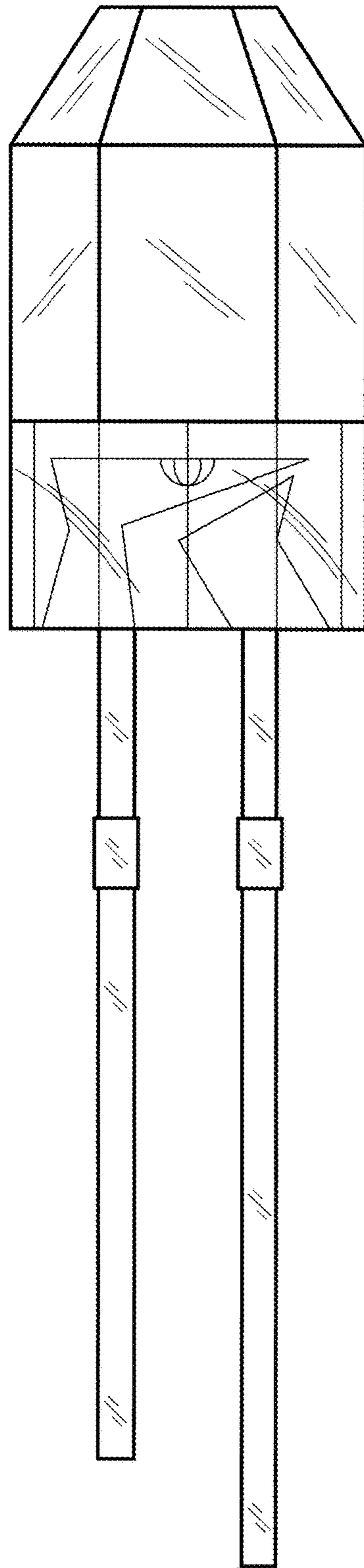


FIG. 5

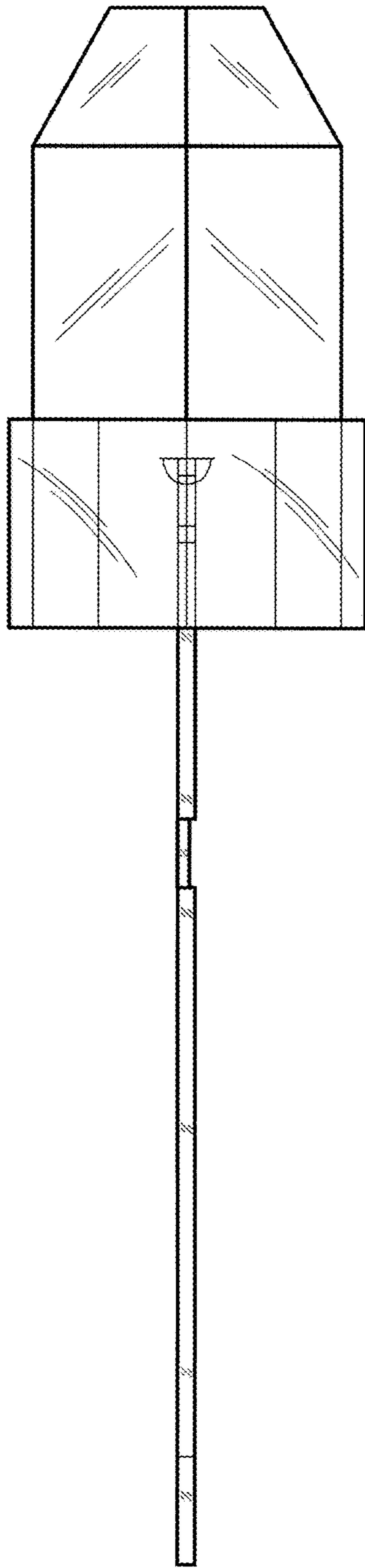


FIG. 6

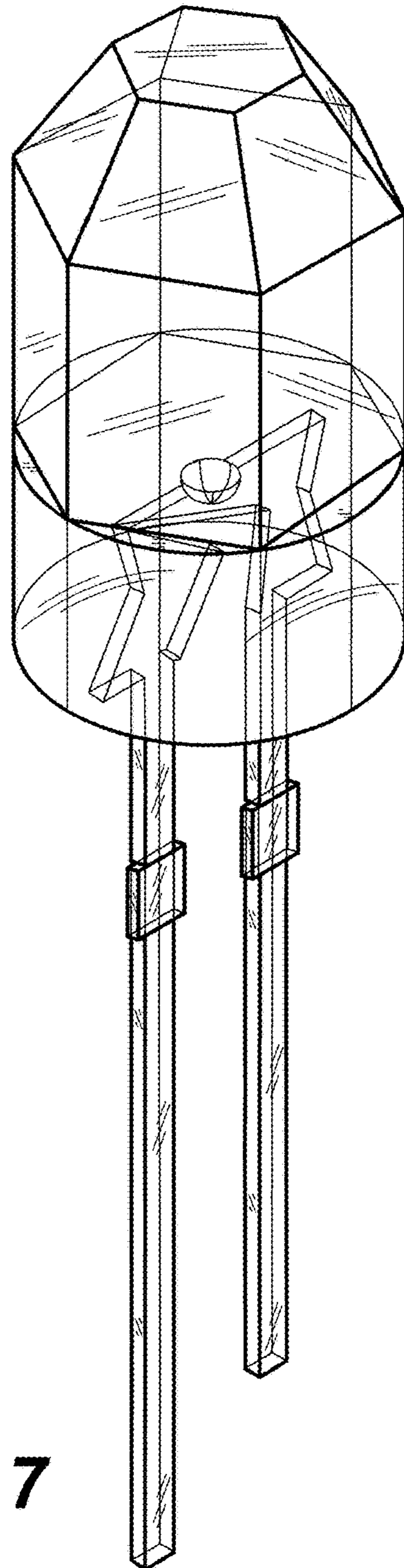


FIG. 7

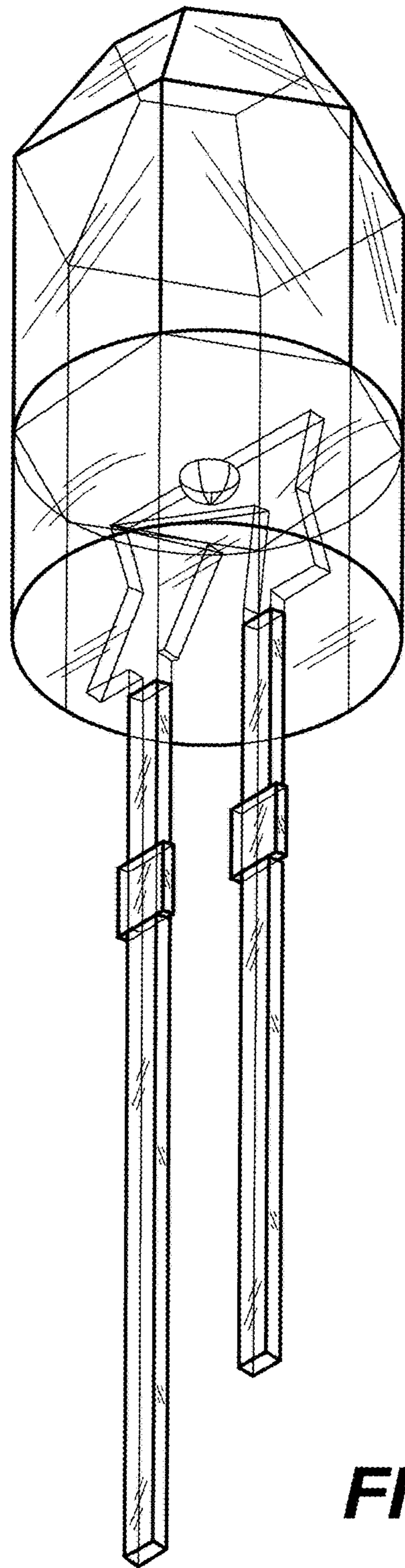


FIG. 8