



US00D838866S

(12) **United States Design Patent**
Keller

(10) **Patent No.:** **US D838,866 S**
(45) **Date of Patent:** **** Jan. 22, 2019**

- (54) **DOCK CONNECTOR**
- (71) Applicant: **Rokel Enterprises, LLC**, Cottleville, MO (US)
- (72) Inventor: **Roger J. Keller**, Cottleville, MO (US)
- (73) Assignee: **Rokel Enterprises, LLC**, Cottleville, MO (US)

4,566,819	A *	1/1986	Johnston	E04G 7/14 403/385
5,088,672	A *	2/1992	Neuendorf	F16B 2/06 248/218.4
6,340,059	B1 *	1/2002	Bethea	A62C 31/02 169/16
7,311,299	B2 *	12/2007	Sasajima	C02F 3/201 261/122.1
7,464,905	B2 *	12/2008	Wang	F16L 3/10 248/229.2

(**) Term: **15 Years**

(Continued)

(21) Appl. No.: **29/575,875**

OTHER PUBLICATIONS

(22) Filed: **Aug. 30, 2016**

Dock Essentials. "Slipgrip Clasp" <<https://dockessentials.com/products/mounting-brackets>>.*

Related U.S. Application Data

(63) Continuation-in-part of application No. 15/250,410, filed on Aug. 29, 2016, now Pat. No. 9,927,063.

Primary Examiner — Cathron C Brooks

Assistant Examiner — Samantha Q. Lawrence

(51) **LOC (11) Cl.** **25-01**

(74) *Attorney, Agent, or Firm* — Lewis Rice LLC

(52) **U.S. Cl.**

USPC **D25/133**

(58) **Field of Classification Search**

USPC D25/38.1, 122, 126, 127, 128, 129, 130, D25/131, 132, 133, 134, 135; 248/218.4, 248/230.7, 74.4, 312, 315, 674; 403/385, 403/386; 40/607.12; D14/434; D8/349, D8/380, 354, 363, 364, 366, 371

CPC F16M 13/02; A01K 97/10; F16B 2/06; F16B 2/00; A62C 31/02; E04G 7/14; F16L 3/10; F16L 3/1091; F16L 3/222; F16L 3/223; A47B 57/54; B29C 2035/1616; E04H 17/1421; E04H 2017/006; B63B 21/04; B63B 2021/203; F21V 21/112

(57) **CLAIM**

The ornamental design for a dock connector, as shown and described.

See application file for complete search history.

DESCRIPTION

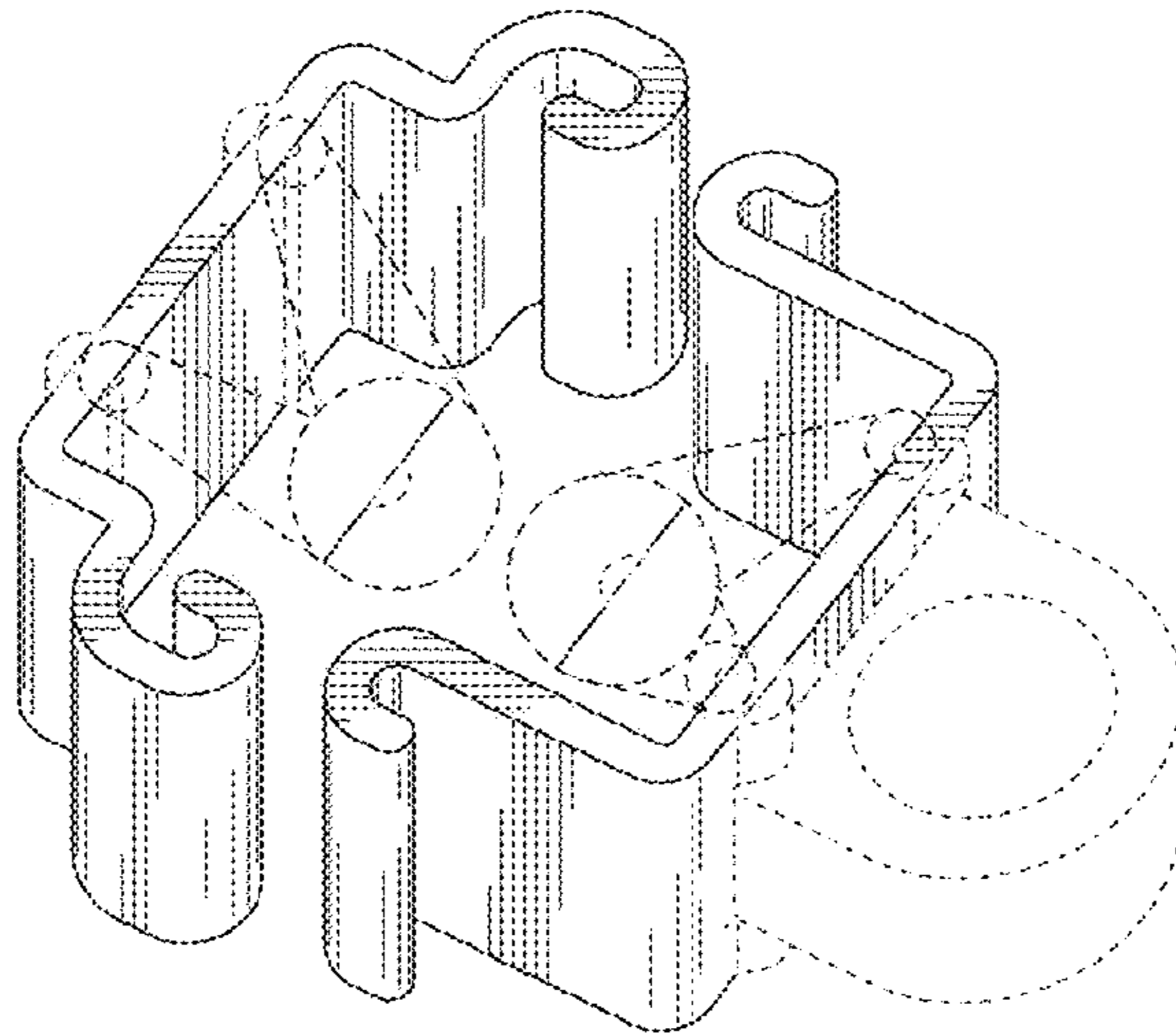
FIG. 1 is a front perspective view of a dock connector.
 FIG. 2 is a front view of a dock connector.
 FIG. 3 is a rear view of a dock connector.
 FIG. 4 is a left side view of a dock connector.
 FIG. 5 is a right side view of a dock connector.
 FIG. 6 is a top view of a dock connector; and,
 FIG. 7 is a bottom view of a dock connector.
 The evenly spaced broken lines shown in FIGS. 1-7 illustrate portions of the dock connector. The additional evenly spaced broken lines shown in FIGS. 1, 6, and 7 illustrate callouts of enlarged portions. The dash-dot lines shown in FIGS. 1, 6 and 7 illustrate boundary lines. None of the broken lines form part of the claimed design.

(56) **References Cited**

U.S. PATENT DOCUMENTS

2,625,354	A *	1/1953	Smith	B60T 17/046 248/56
3,069,189	A *	12/1962	Hollaender	E04G 7/14 285/188

1 Claim, 5 Drawing Sheets



(56)

References Cited

U.S. PATENT DOCUMENTS

8,371,544 B2 * 2/2013 Heitmeyer F16L 3/10
248/229.1
9,284,968 B2 * 3/2016 Clouser F16M 13/022
D767,167 S * 9/2016 Masuda D25/133
D788,329 S * 5/2017 Bizzarri D25/133
9,927,063 B2 * 3/2018 Keller F16M 13/02
2002/0140116 A1 * 10/2002 Tharp B01F 3/0412
261/122.1
2005/0127346 A1 * 6/2005 Steffes A47H 1/104
256/65.05
2005/0133777 A1 * 6/2005 Forbis E04F 11/1836
256/59
2015/0300041 A1 * 10/2015 Feeko E04H 17/1421
256/65.12
2016/0010586 A1 * 1/2016 Grande Fernandez ... F16B 5/08
248/674
2017/0059086 A1 * 3/2017 Keller F16M 13/02
2018/0002948 A1 * 1/2018 Dilio E04H 17/1421

* cited by examiner

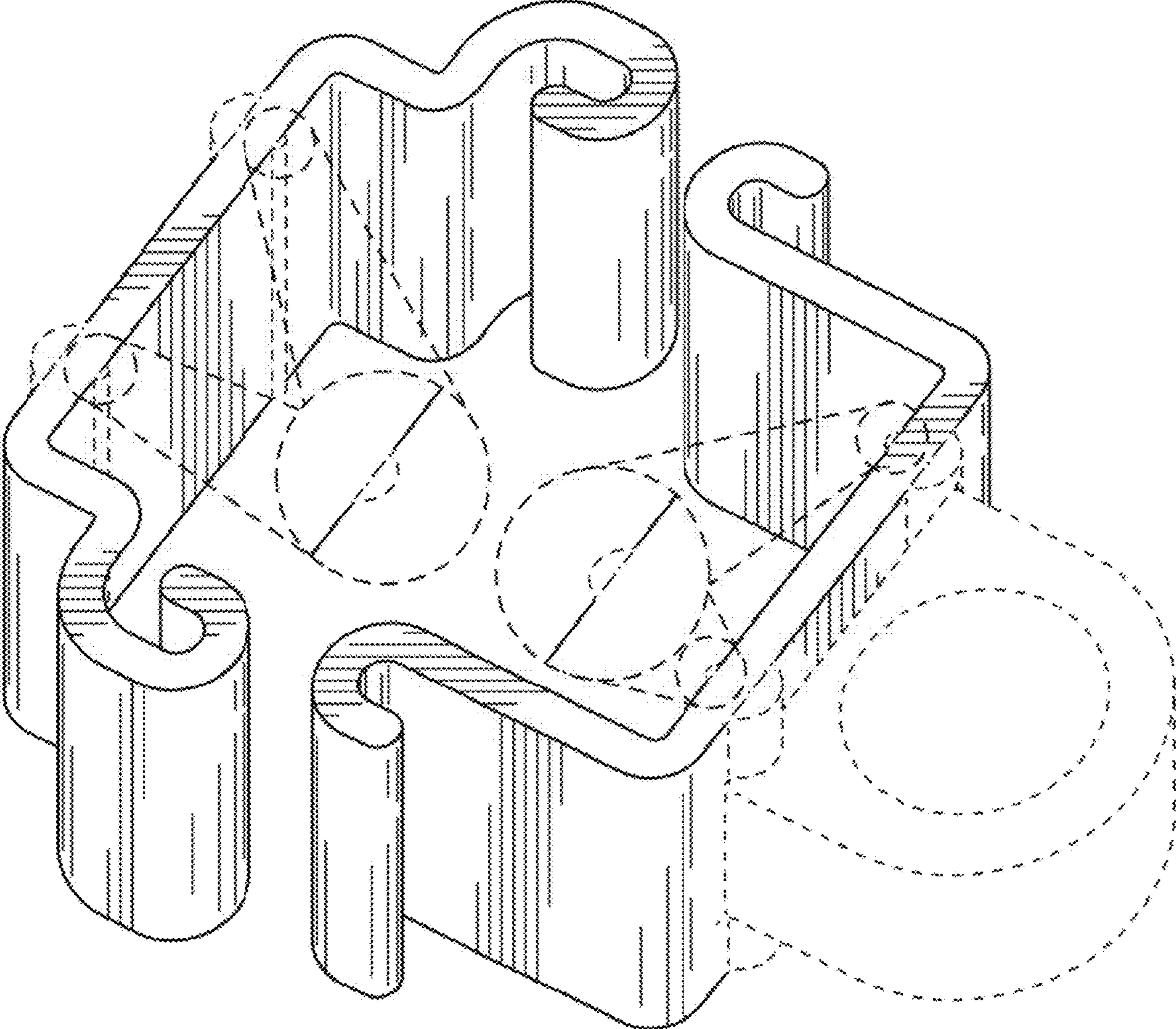


FIG. 1

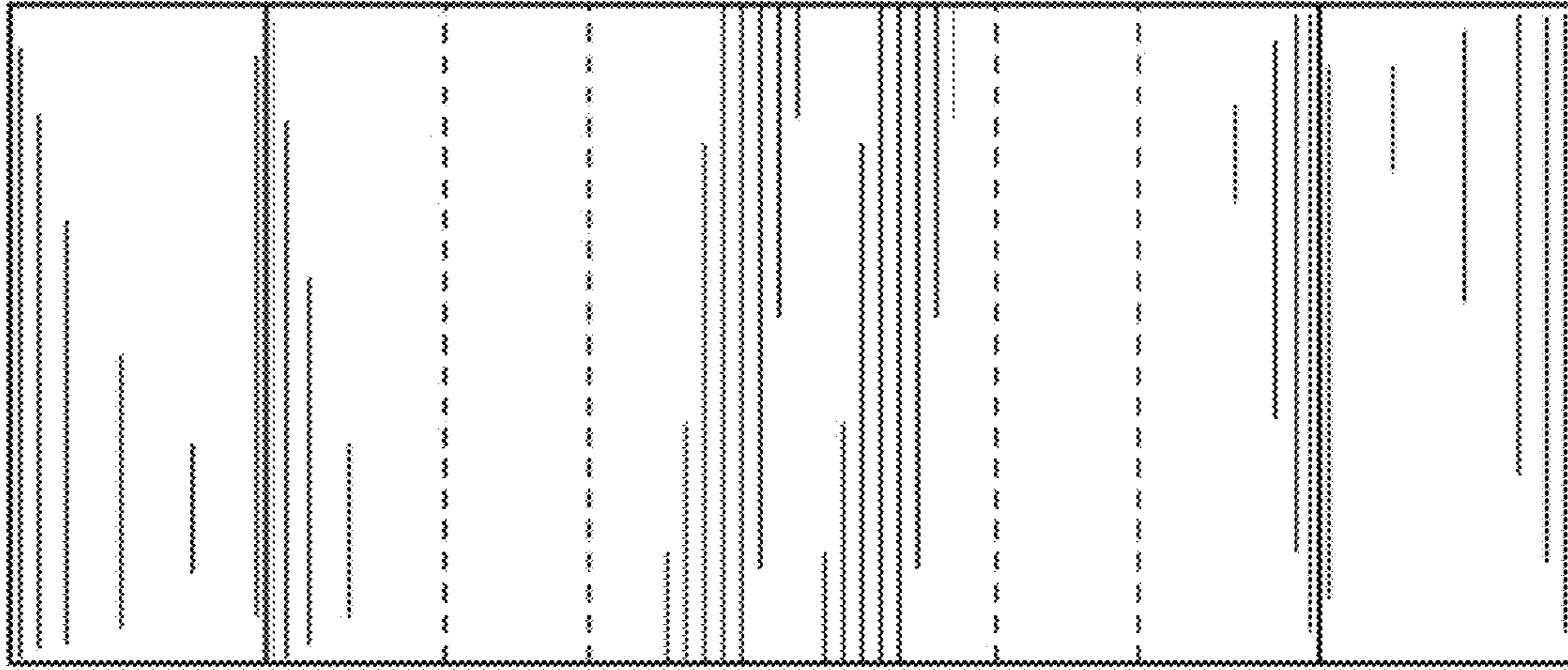


FIG. 2

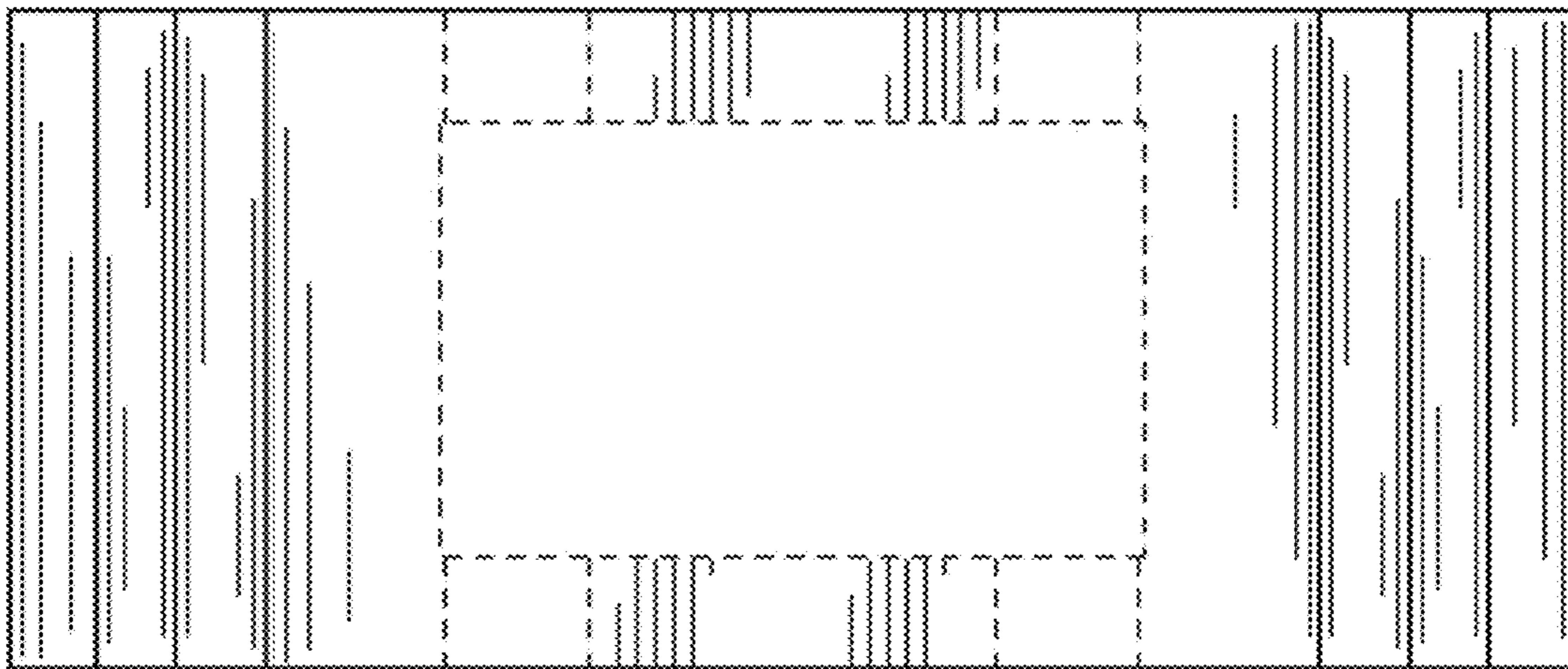
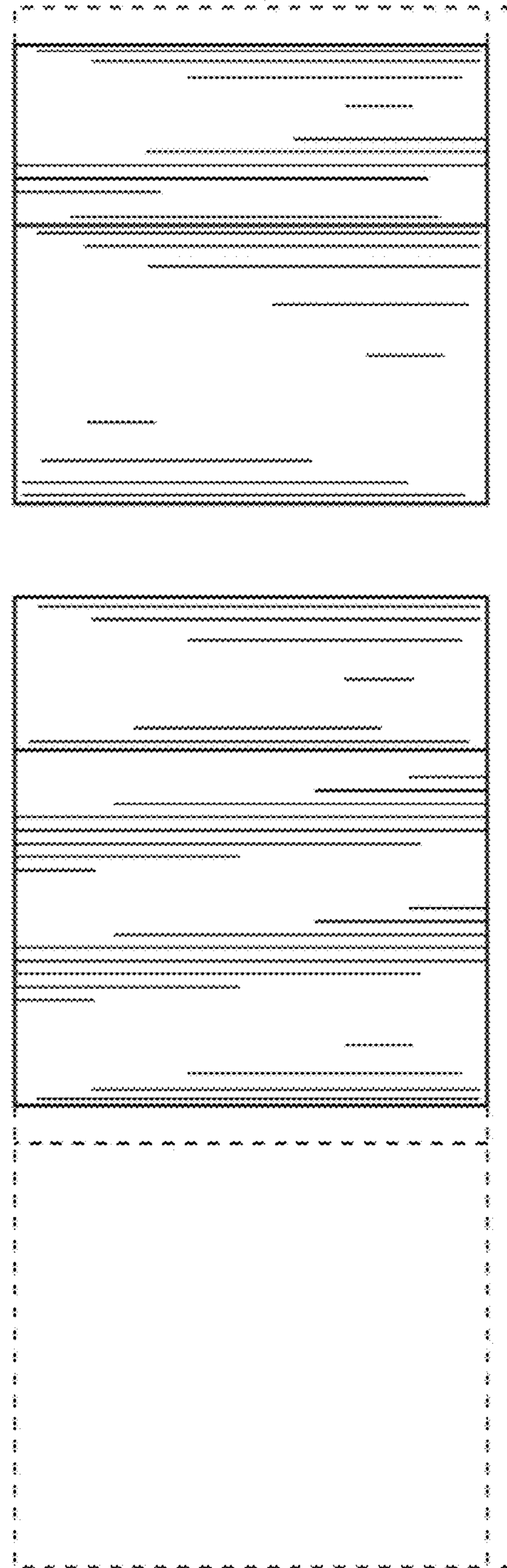
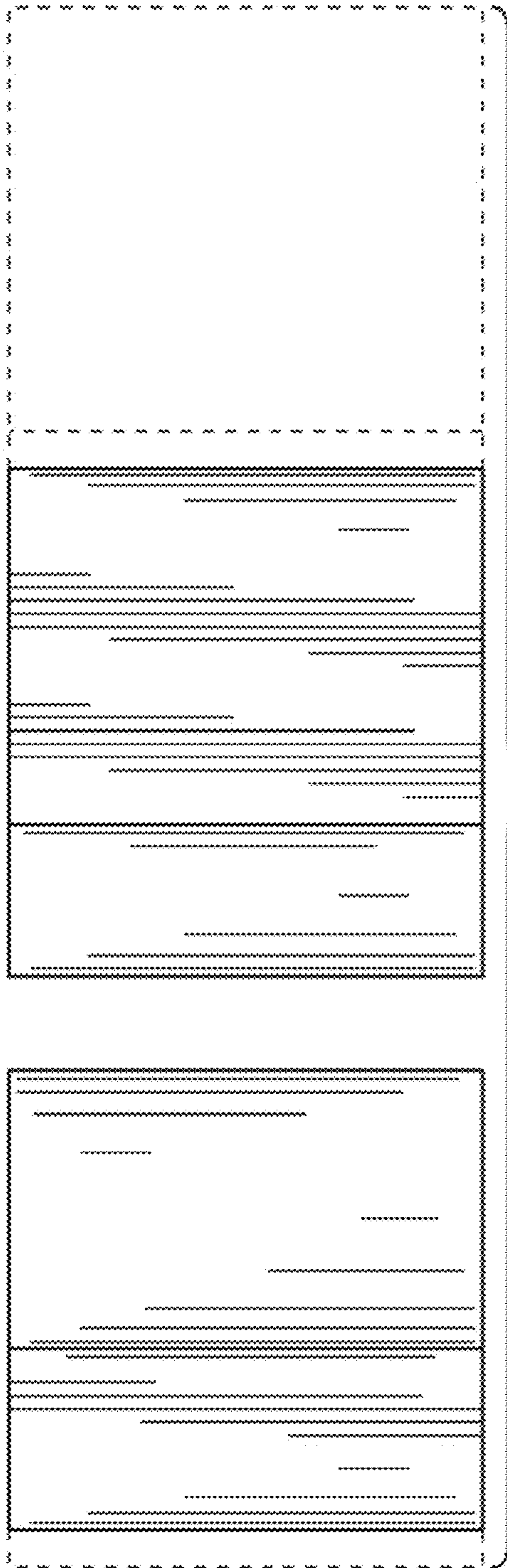


FIG. 3



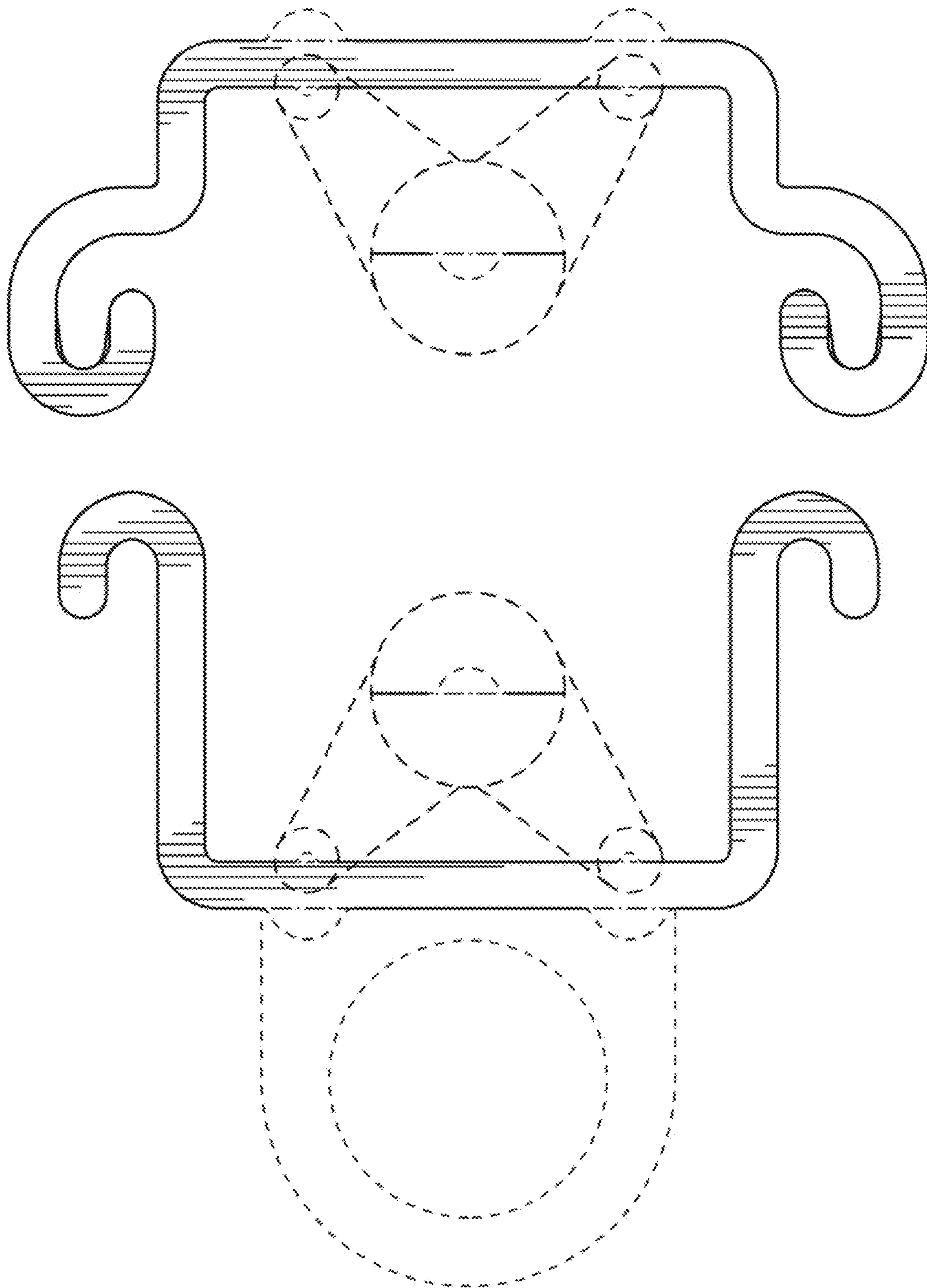


FIG. 6

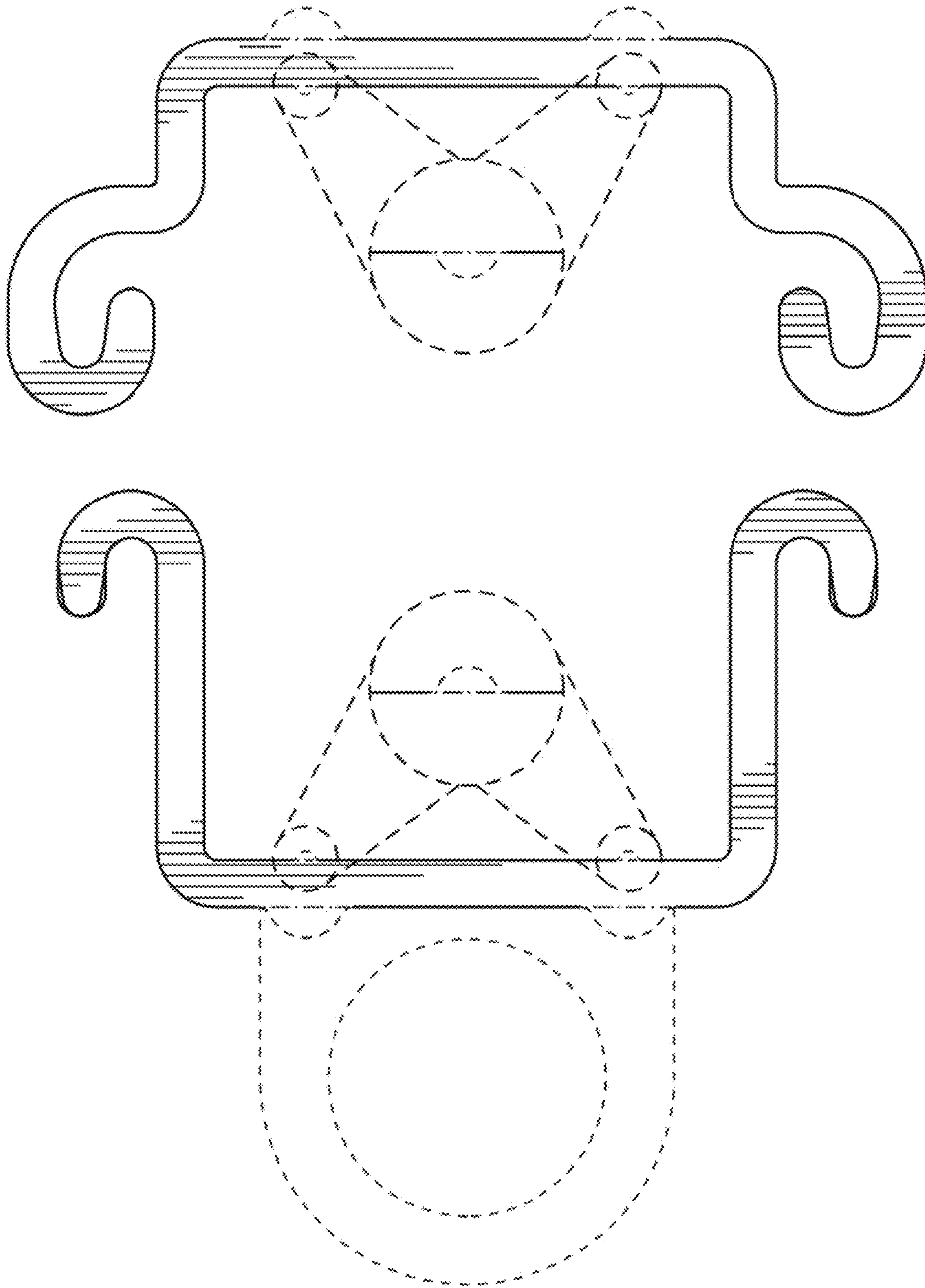


FIG. 7