



US00D838865S

(12) **United States Design Patent**
Potty et al.

(10) **Patent No.:** **US D838,865 S**
(45) **Date of Patent:** **** Jan. 22, 2019**

(54) **LABORATORY ENCLOSURE**
(71) Applicant: **HALLIBURTON ENERGY SERVICES, INC.**, Houston, TX (US)
(72) Inventors: **Ajish Potty**, Missouri City, TX (US); **Antonio Recio, III**, Humble, TX (US); **Christopher R. Parton**, Humble, TX (US); **Aaron Russell**, Humble, TX (US); **Mike Phillips**, Houston, TX (US)

D250,584 S * 12/1978 Oye D24/185
4,360,360 A * 11/1982 Chiknas G01N 21/07
436/45
D270,181 S * 8/1983 Haas D15/199
4,473,074 A * 9/1984 Vassiliadis A61B 18/201
219/121.74
D287,623 S * 1/1987 Jones D24/185
D298,893 S * 12/1988 Schwartz D24/185
D309,720 S * 8/1990 Handlbauer D10/91
4,965,049 A * 10/1990 Lillig G01N 35/025
141/130

(Continued)

(73) Assignee: **HALLIBURTON ENERGY SERVICES, INC.**, Houston, TX (US)

Primary Examiner — Rhea Shields
(74) *Attorney, Agent, or Firm* — Polsinelli PC

(**) Term: **15 Years**

(21) Appl. No.: **29/554,878**

(22) Filed: **Feb. 16, 2016**

(51) **LOC (11) Cl.** **24-99**

(52) **U.S. Cl.**
USPC **D24/234**

(58) **Field of Classification Search**
USPC D24/234, 185, 117, 216, 164, 232, 163;
D15/199; D10/81; 219/121.74;
250/226; 141/130; 210/85; 312/209,
312/140.1
CPC A61L 2/04; A61B 5/0006; A61B 18/201;
A47B 37/00; B01L 9/02; G01N 21/07;
G01N 35/025; G01T 1/1666
See application file for complete search history.

(56) **References Cited**

U.S. PATENT DOCUMENTS

2,334,776 A * 11/1943 King B01L 9/02
312/140.1
3,041,957 A * 7/1962 Liptay A47B 37/00
312/209
3,678,277 A * 7/1972 Greenspan G01T 1/1666
250/226
3,910,257 A * 10/1975 Fletcher A61B 5/0006
128/908

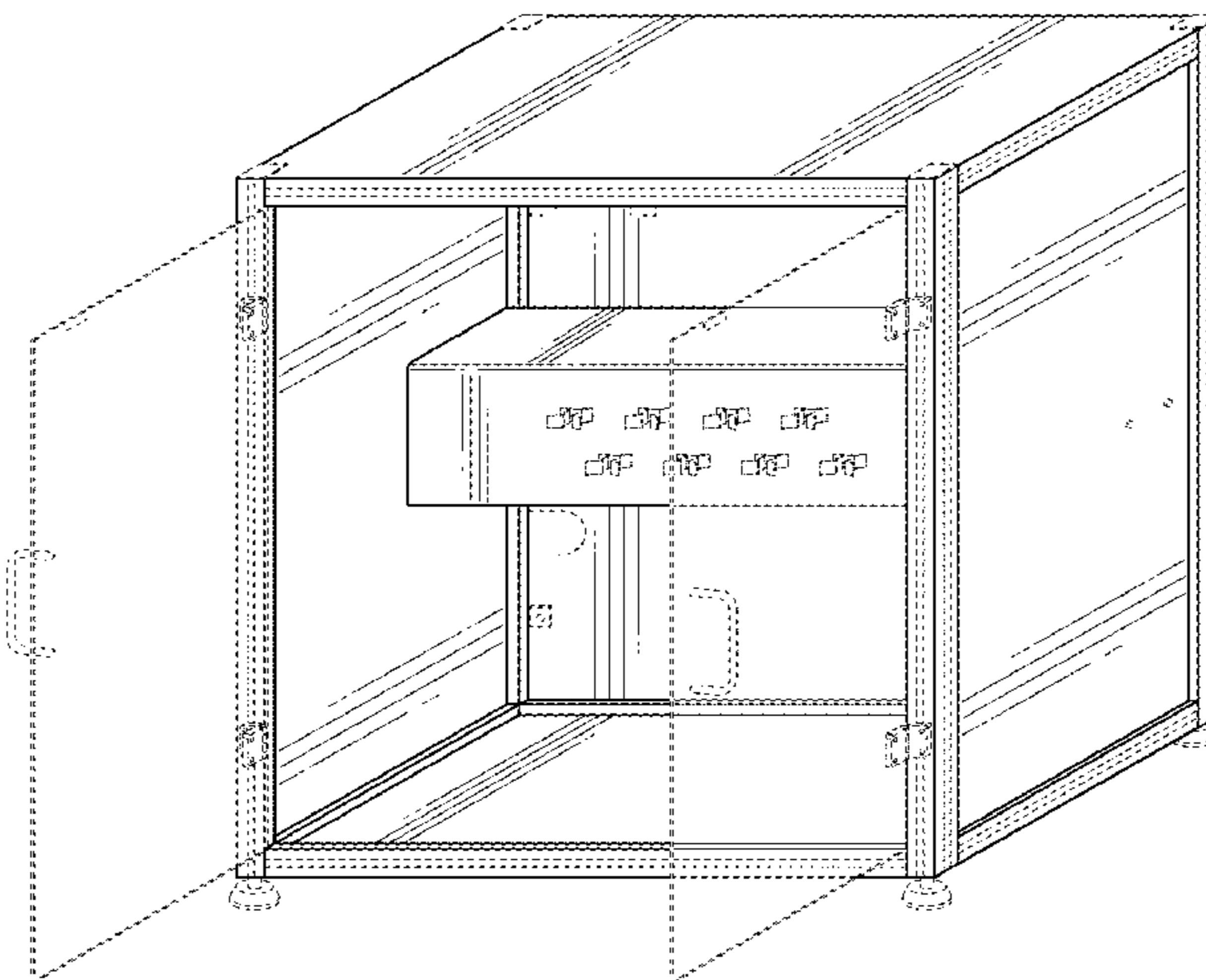
(57) **CLAIM**

We claim the ornamental design for a laboratory enclosure, as shown and described.

DESCRIPTION

FIG. 1 is a front perspective view of an embodiment of a laboratory enclosure in a closed configuration, showing our new design;
FIG. 2 is a front elevational view thereof;
FIG. 3 is a rear elevational view thereof;
FIG. 4 is a left side elevational view thereof;
FIG. 5 is a right side elevational view thereof;
FIG. 6 is a top plan view thereof;
FIG. 7 is a bottom plan view thereof;
FIG. 8 is a front perspective view thereof, but in an open configuration;
FIG. 8 is an exploded, rear-left perspective view thereof;
FIG. 10 is an exploded, rear-right perspective view thereof;
and,
FIG. 11 is a front elevational view of an embodiment of a laboratory enclosure including environmental components. In the drawings, the broken lines are for the purpose of illustrating environment only and form no part of the claimed design.

1 Claim, 11 Drawing Sheets



(56)

References Cited

U.S. PATENT DOCUMENTS

D316,604 S * 4/1991 Reynolds D24/117
D346,863 S * 5/1994 Choate D24/164
5,658,456 A * 8/1997 Kenley A61L 2/04
210/85
D387,164 S * 12/1997 Barnett D24/163
D394,508 S * 5/1998 Nuzzio D24/234
D419,241 S * 1/2000 Northcott D23/365
D452,831 S * 1/2002 Dwertmann D10/91
D474,279 S * 5/2003 Mayer D24/231
D514,966 S * 2/2006 Leisinger D10/91
D527,464 S * 8/2006 Ina D24/216
D567,389 S * 4/2008 Roepke D24/232
D598,215 S * 8/2009 Basten D24/185
D655,422 S * 3/2012 Oonuma D24/216
D658,776 S * 5/2012 Oonuma D24/216
D674,110 S * 1/2013 Becher D24/216
D685,493 S * 7/2013 Sato D24/216
D716,966 S * 11/2014 Lizari Illarramendi D24/232
D745,423 S * 12/2015 Khattak D10/81
D755,405 S * 5/2016 Zhu D10/81

* cited by examiner

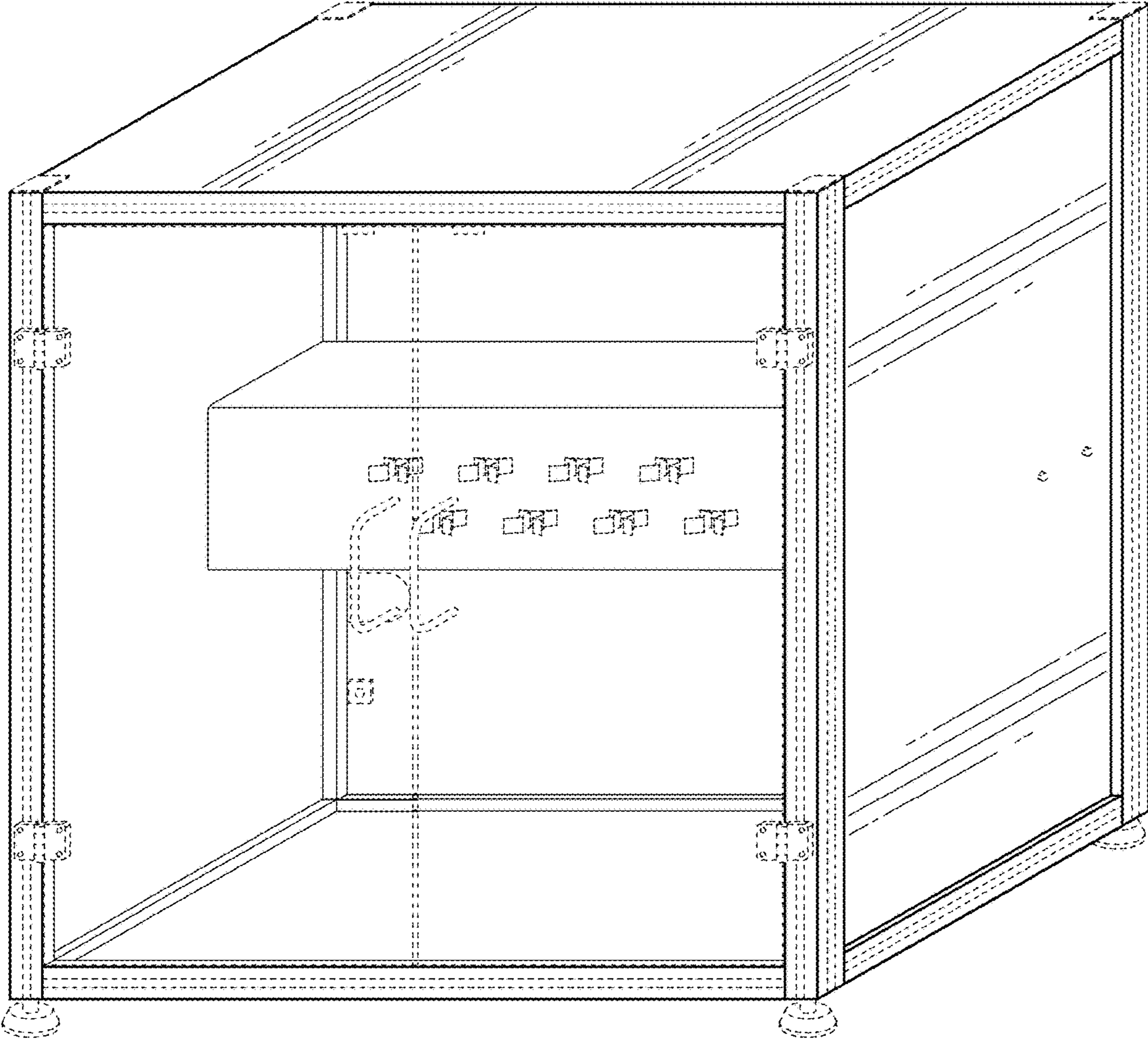


FIG. 1

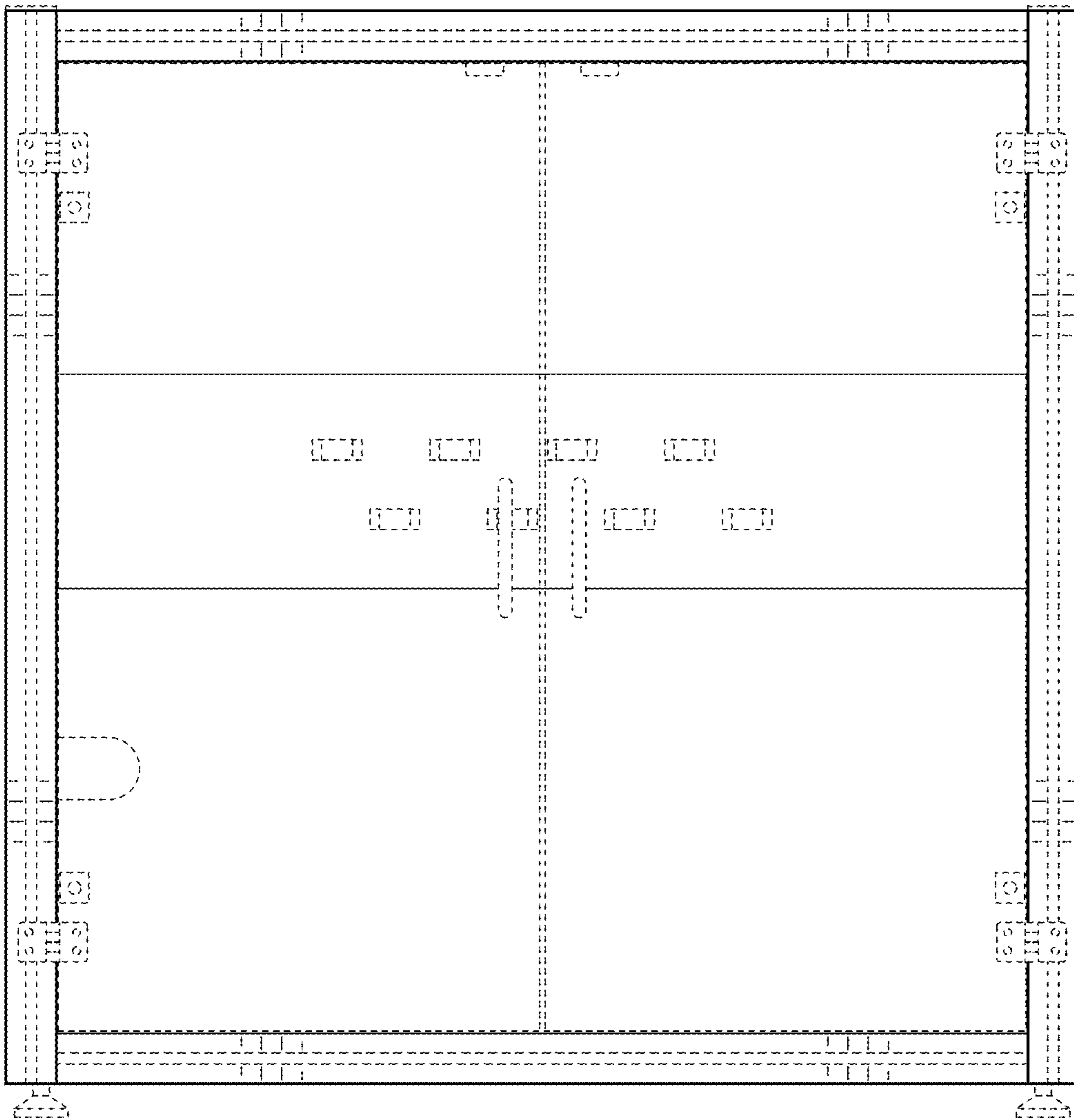


FIG. 2

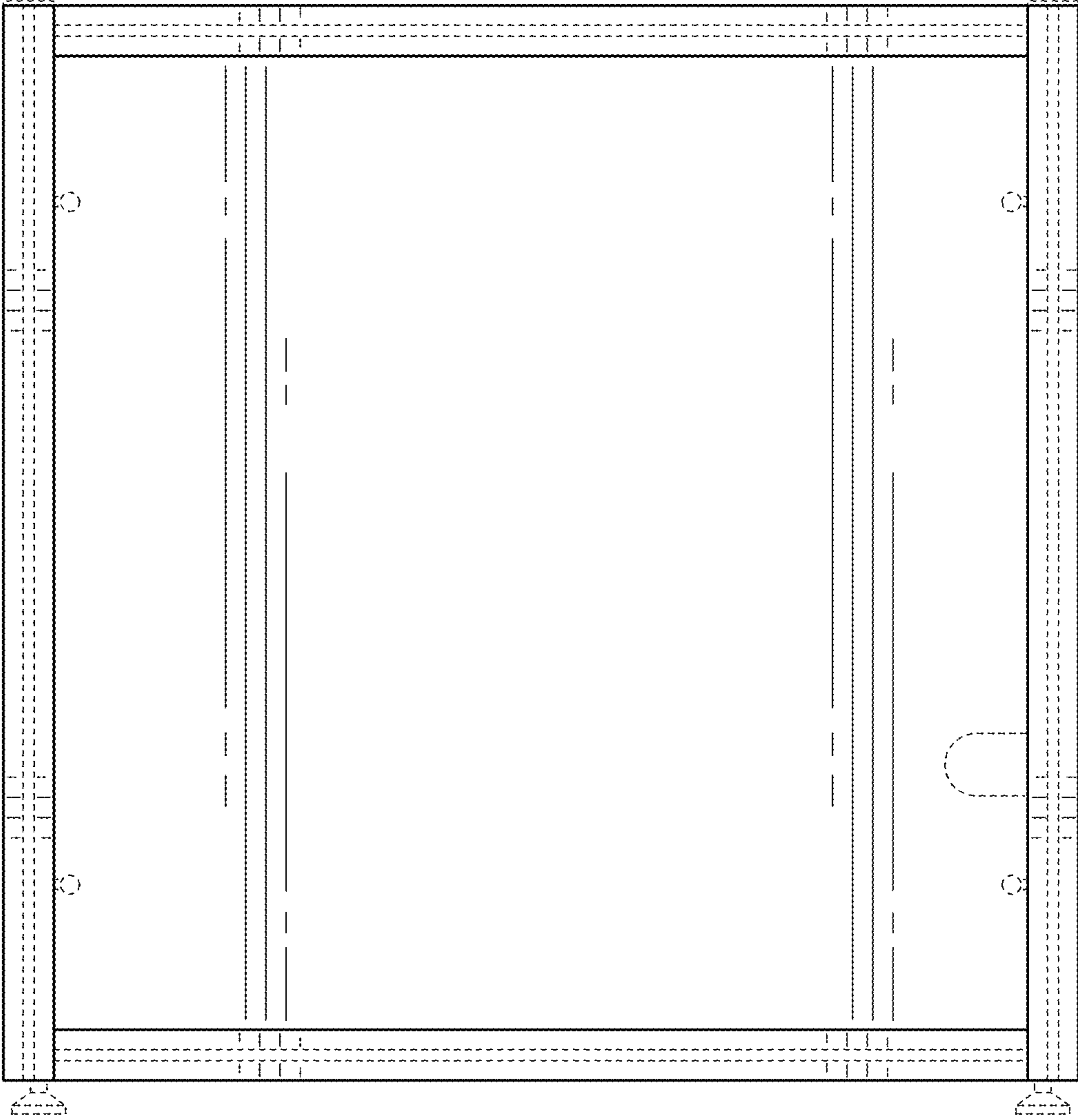


FIG. 3

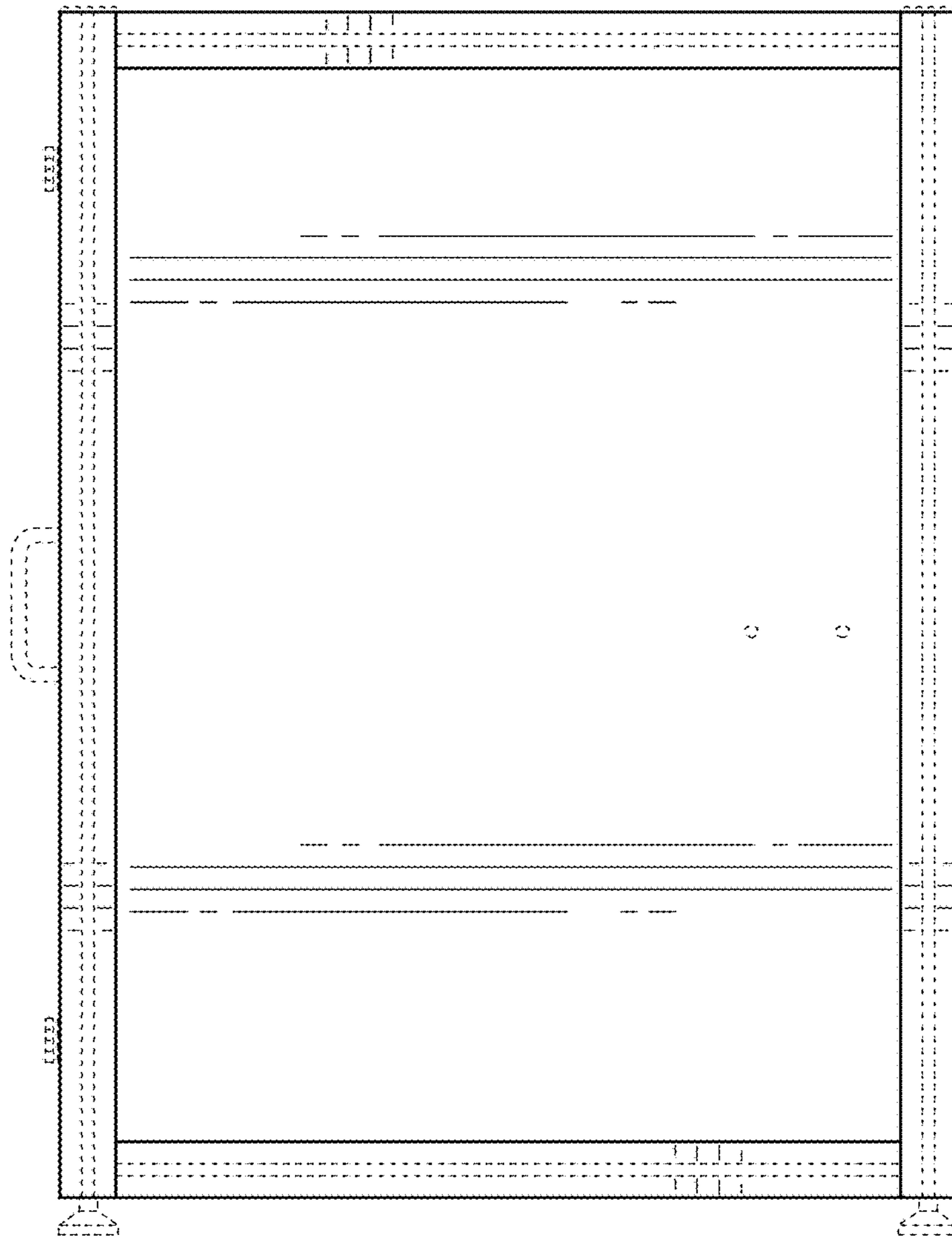


FIG. 4

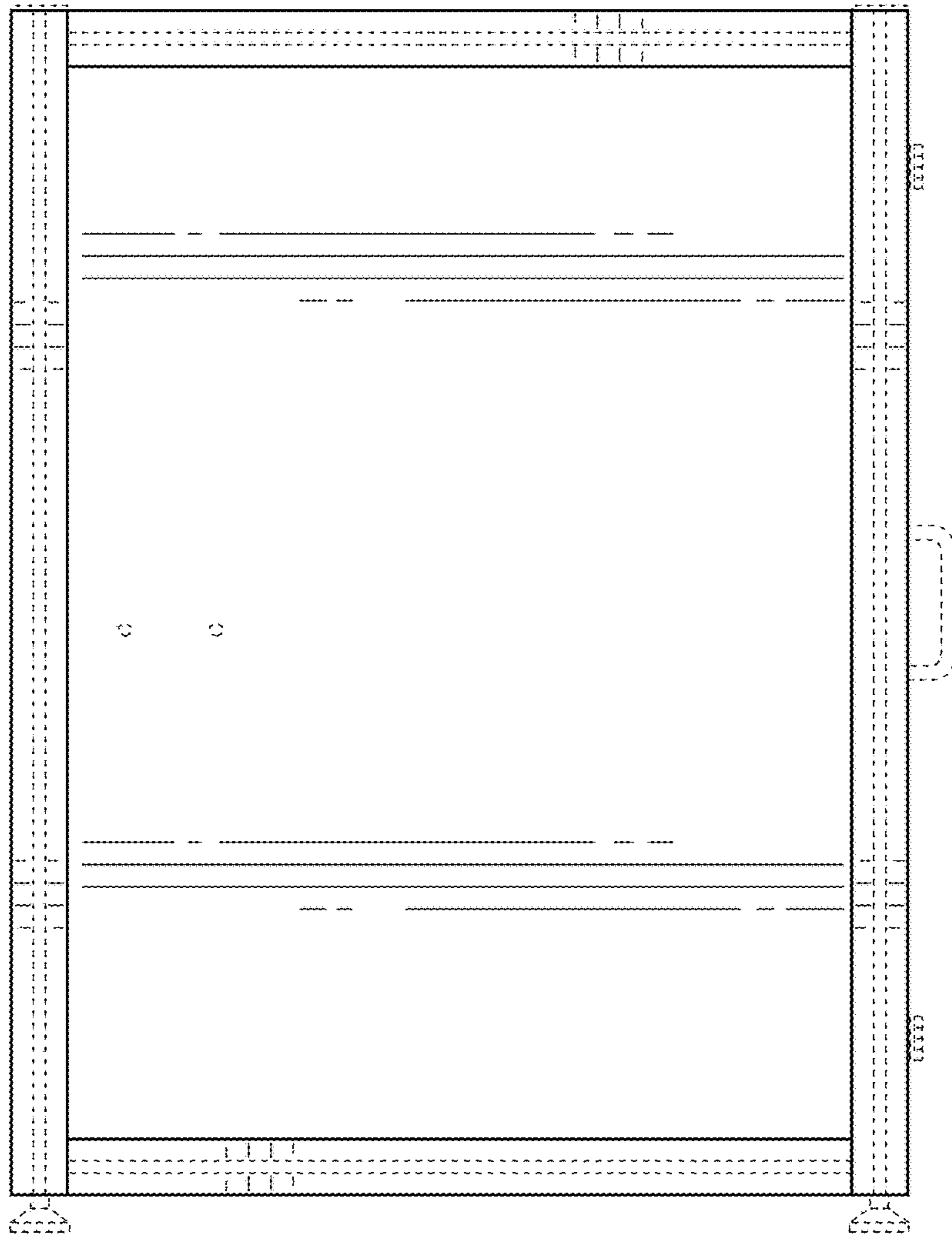


FIG. 5

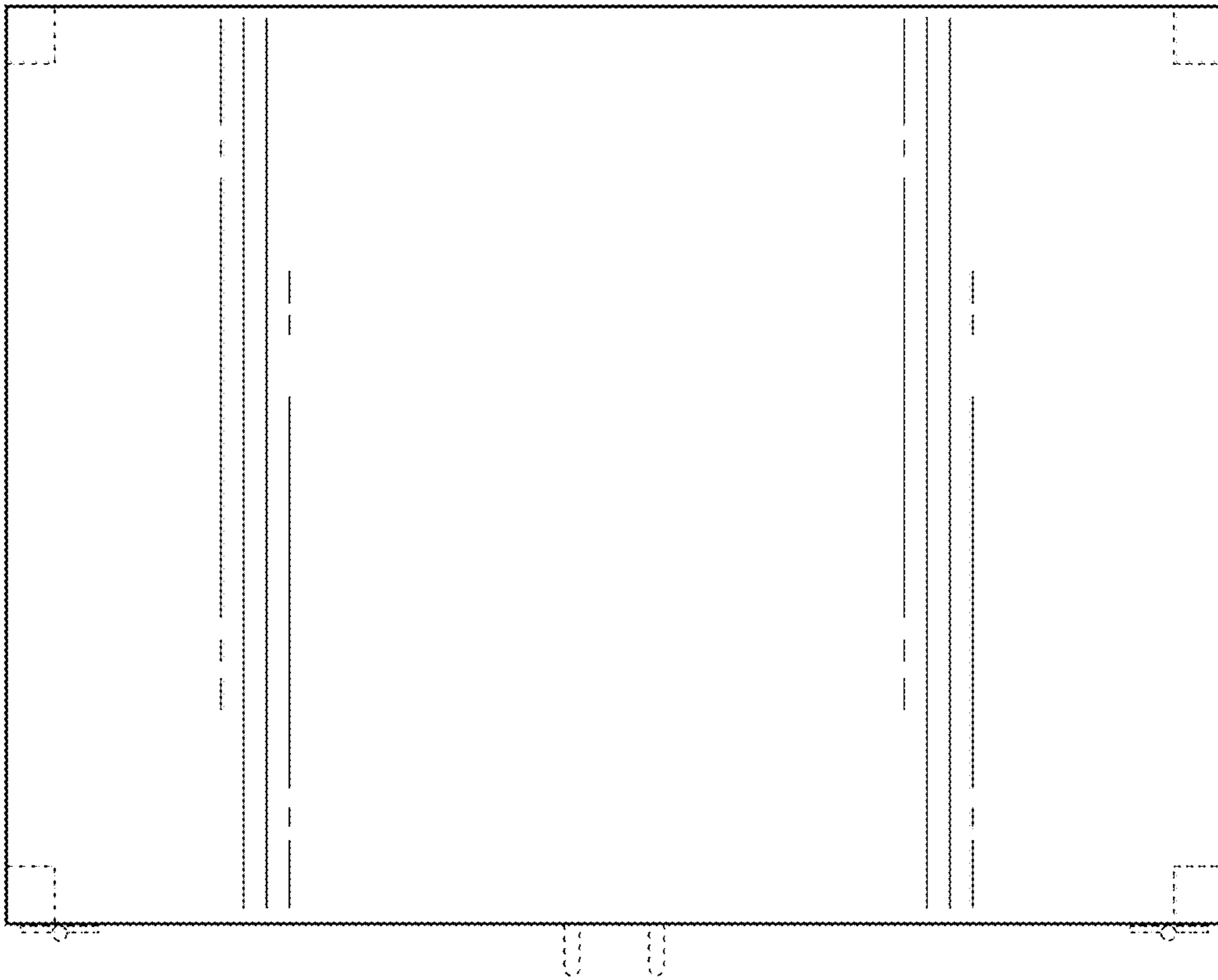


FIG. 6

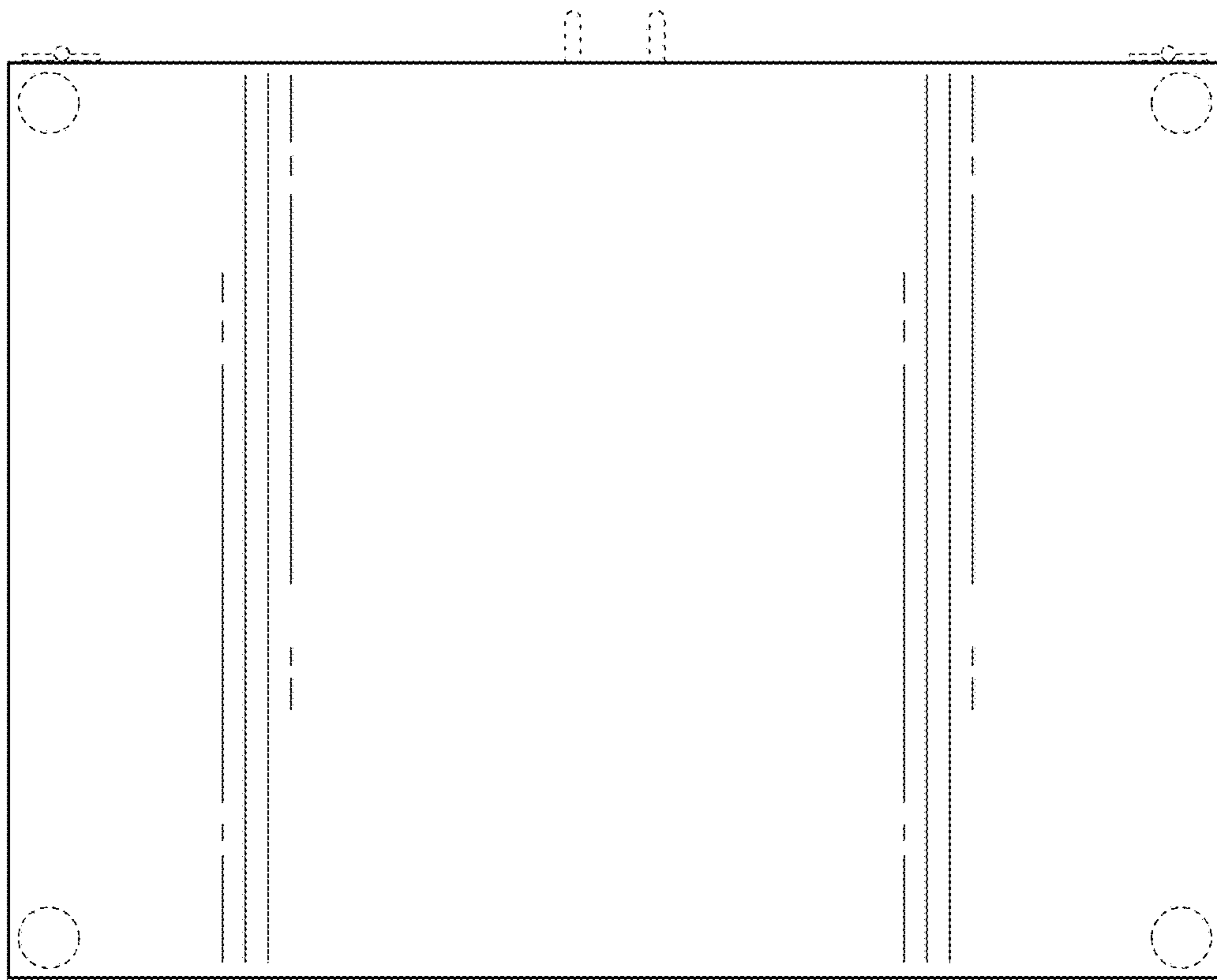


FIG. 7

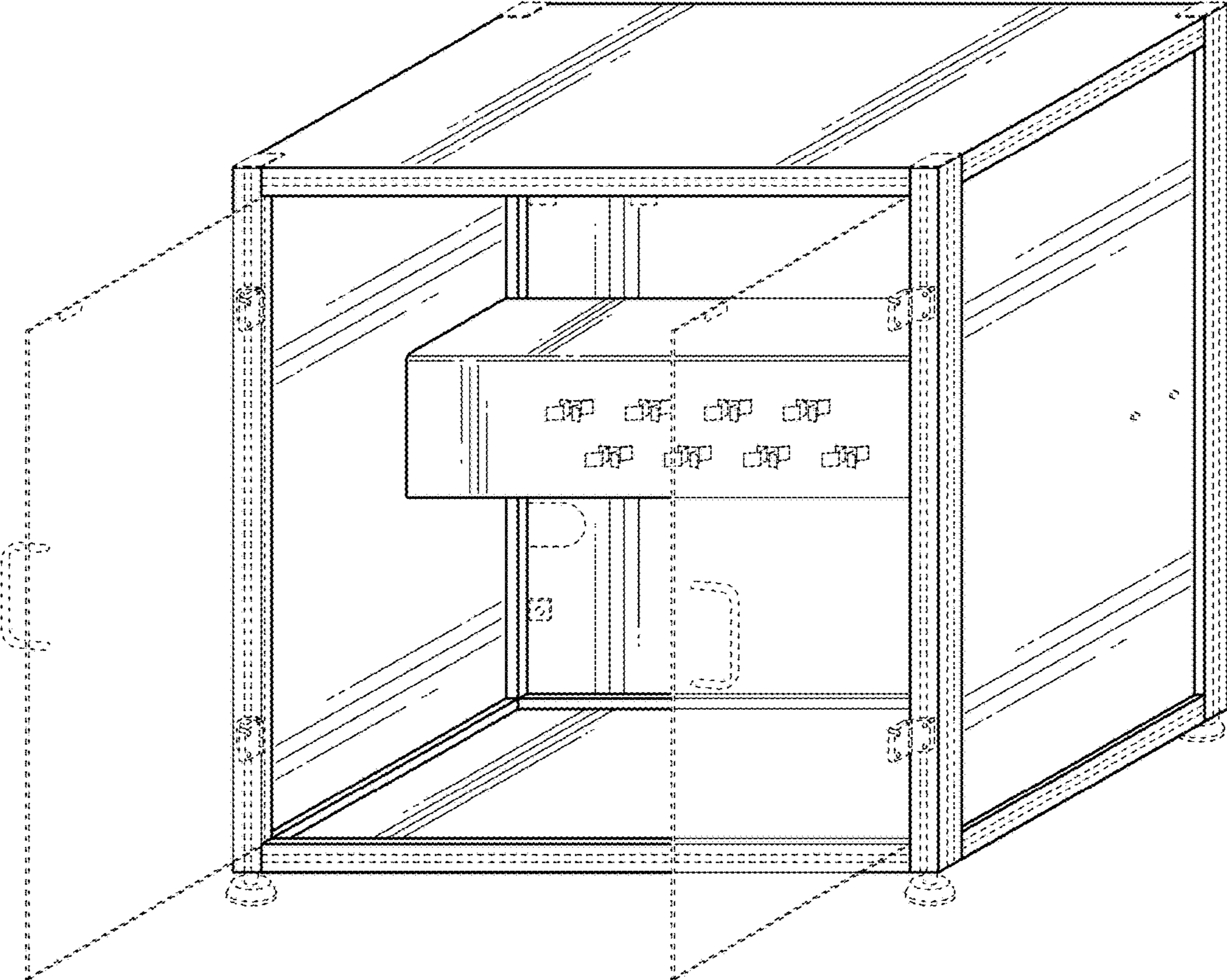


FIG. 8

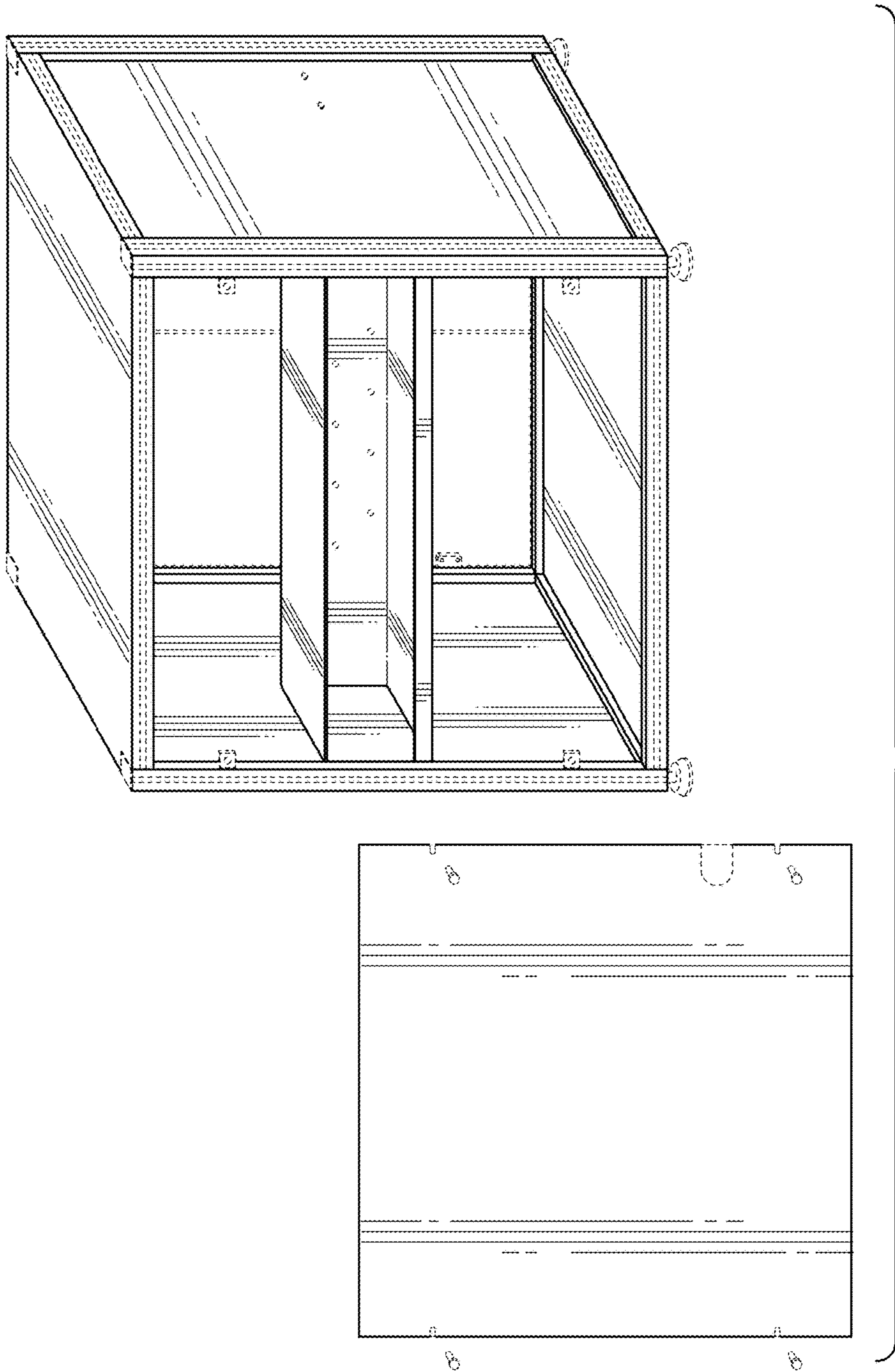


FIG. 9

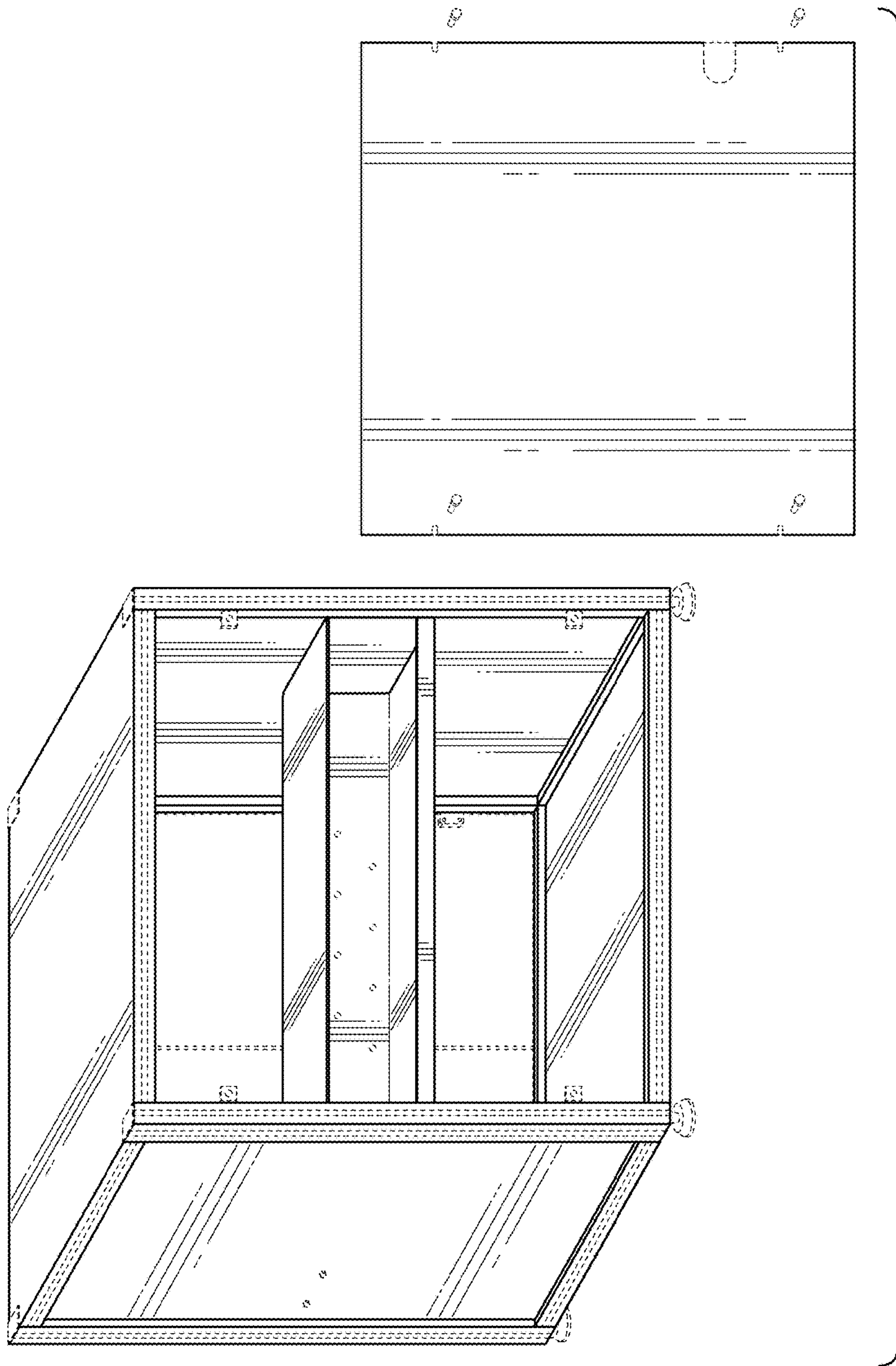


FIG. 10

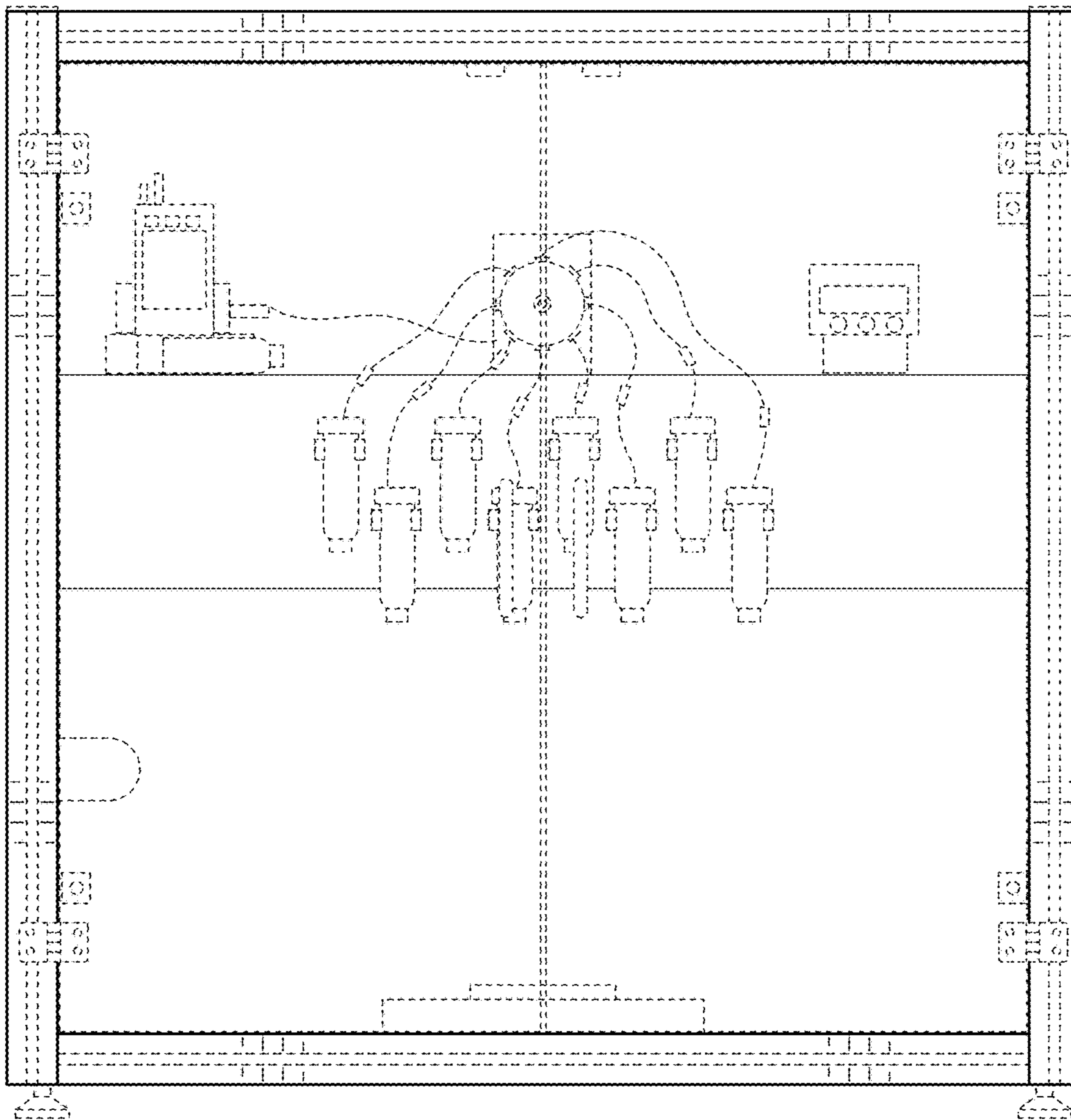


FIG. 11