



US00D838864S

(12) **United States Design Patent**
Levner et al.

(10) **Patent No.:** **US D838,864 S**
(45) **Date of Patent:** **** Jan. 22, 2019**

- (54) **OPAQUE MICROFLUIDIC CHIP WITHOUT PRESSURE FEATURES FOR USE WITH A FLUID PERFUSION MODULE**
- (71) Applicant: **EMULATE, Inc.**, Boston, MA (US)
- (72) Inventors: **Daniel Levner**, Brookline, MA (US); **Guy Robert Thompson, II**, Watertown, MA (US); **Norman Wen**, West Roxbury, MA (US); **Lewis Rowe**, La Verne, CA (US)
- (73) Assignee: **Emulate, Inc.**, Boston, MA (US)
- (**) Term: **15 Years**
- (21) Appl. No.: **29/576,817**
- (22) Filed: **Sep. 7, 2016**
- (51) **LOC (11) Cl.** **24-02**
- (52) **U.S. Cl.**
USPC **D24/224**
- (58) **Field of Classification Search**
USPC D13/180, 182, 184, 199; D24/216, 224, D24/225, 226, 227, 229, 230, 231, 232
CPC B01L 3/5027; B01L 3/502715; B01L 3/502723; B01L 3/50273; B01L 3/502738; B01L 3/502761; B01L 3/502784; C12M 23/16
See application file for complete search history.

D360,581 S *	7/1995	Dikowitz	D3/302
D390,103 S *	2/1998	Gerson	D24/189
6,176,962 B1 *	1/2001	Soane	B01D 57/02
				156/273.5
6,536,477 B1 *	3/2003	O'Connor	B01L 3/5027
				137/833
6,755,211 B1 *	6/2004	O'Connor	B01L 3/502738
				137/315.01
D524,872 S *	7/2006	DiCarlo	D21/343
7,391,020 B2 *	6/2008	Bousse	B05B 5/025
				250/281
7,608,160 B2 *	10/2009	Zhou	B01F 5/0683
				156/272.2
9,561,506 B2 *	2/2017	Taylor		
2002/0134907 A1 *	9/2002	Benett	B29C 39/10
				249/135
2002/0187074 A1 *	12/2002	O'Connor	B01F 5/0682
				422/82.05
2005/0026134 A1 *	2/2005	Miller	B01L 3/502746
				506/14
2006/0228749 A1 *	10/2006	Wang	G01N 33/5438
				435/6.11
2009/0098659 A1 *	4/2009	Abhyankar	B01L 3/5027
				436/180
2009/0234332 A1 *	9/2009	Borenstein	A61M 37/00
				604/891.1

(Continued)

Primary Examiner — Selina Sikder
(74) *Attorney, Agent, or Firm* — Medlen & Carroll, LLP

(57) **CLAIM**

The ornamental design for an opaque microfluidic chip without pressure features for use with a fluid perfusion module, as shown and described.

DESCRIPTION

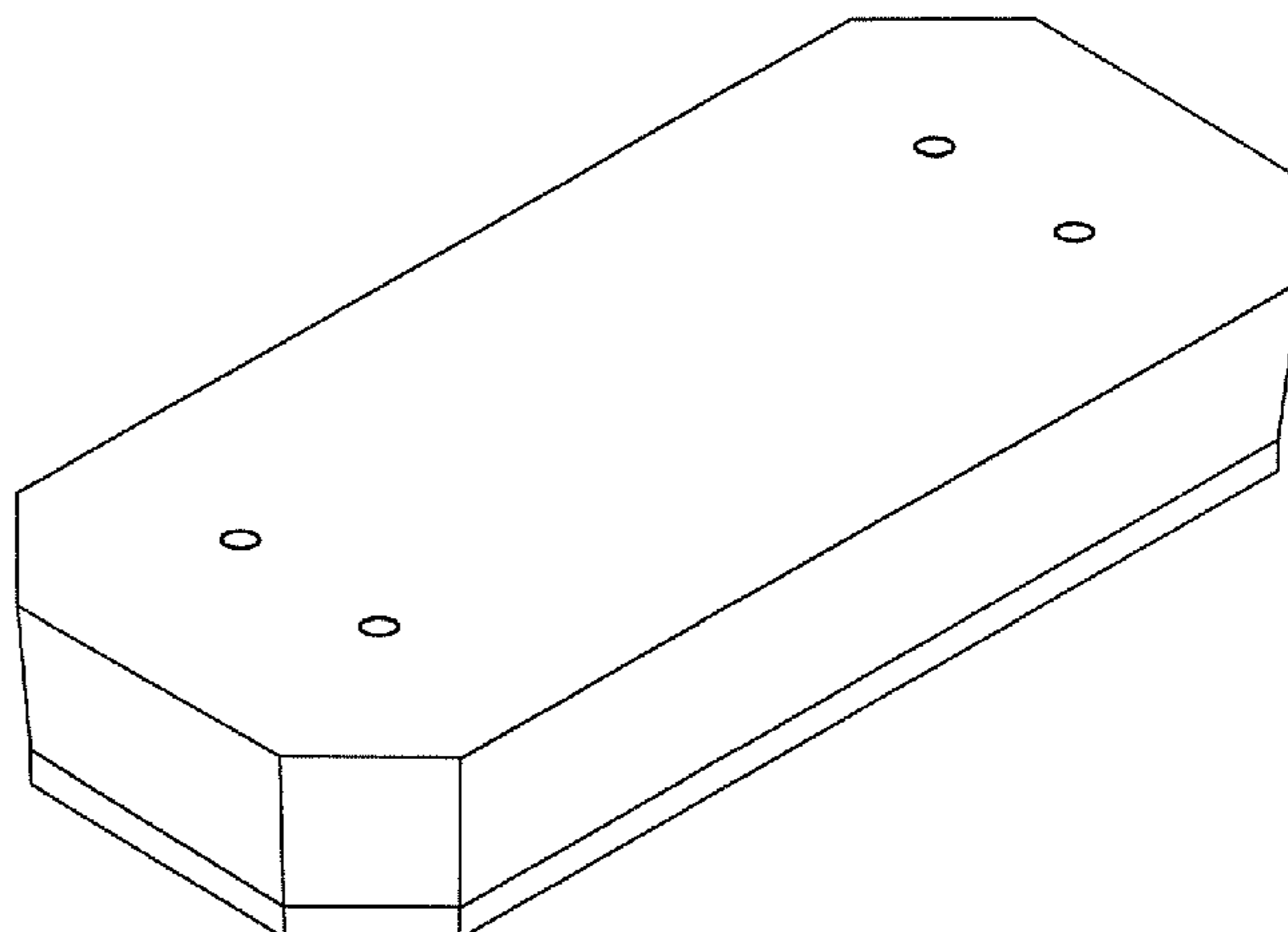
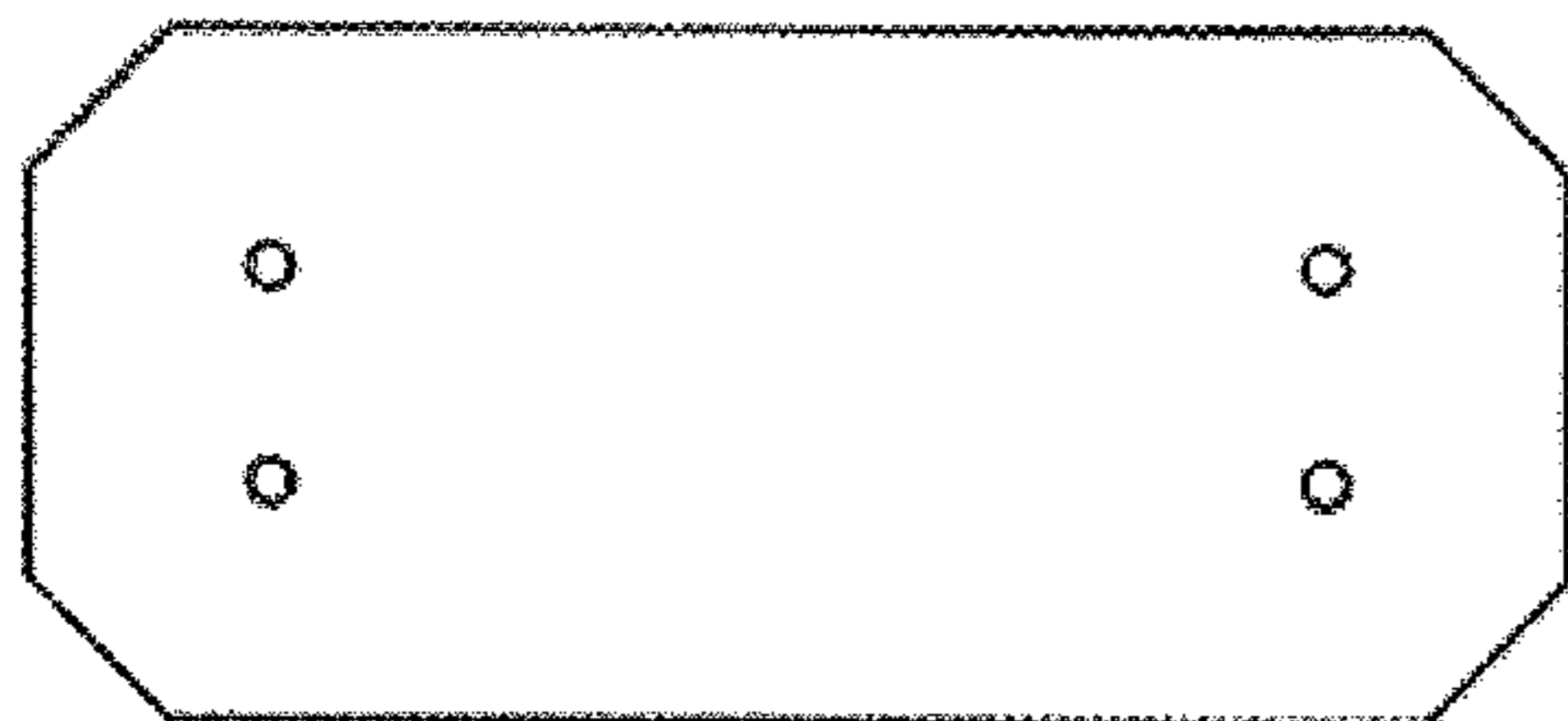
FIG. 1 is a top plan view of the opaque microfluidic chip without pressure features for use with a fluid perfusion module showing my new design; and, FIG. 2 is a top perspective view, thereof.

1 Claim, 2 Drawing Sheets

(56) **References Cited**

U.S. PATENT DOCUMENTS

1,168,374 A *	1/1916	Barker	A63F 1/18
				235/90
3,904,208 A *	9/1975	Grossman	A63F 9/04
				273/146
D296,193 S *	6/1988	Keeler	D9/435
D315,099 S *	3/1991	Alizard	D9/424
D338,186 S *	8/1993	Halwes	D12/345



(56)

References Cited

U.S. PATENT DOCUMENTS

2009/0305326 A1* 12/2009 Beebe B01J 19/0093
435/29
2010/0163609 A1* 7/2010 Bull B65D 71/36
229/109
2011/0079513 A1* 4/2011 Stelzle C12M 21/08
204/451
2011/0082563 A1* 4/2011 Charest A61F 2/022
623/23.65
2011/0250585 A1* 10/2011 Ingber C12N 5/0696
435/5
2011/0315227 A1* 12/2011 Shu B01L 3/50273
137/1
2012/0070878 A1* 3/2012 Fink B01L 3/502707
435/243
2012/0318726 A1* 12/2012 Charest A61M 1/14
210/321.6
2013/0019688 A1* 1/2013 Tung G01L 9/0058
73/719
2013/0288292 A1* 10/2013 Meyvantsson B01L 3/50273
435/30
2014/0273223 A1* 9/2014 Cho C12M 23/16
435/396
2015/0329354 A1* 11/2015 Kato B01J 19/0093
427/271
2016/0136646 A1* 5/2016 Ingber B01L 3/563
435/309.1
2016/0229683 A1* 8/2016 Phommarine B81B 1/004
2016/0313306 A1* 10/2016 Ingber C12M 21/08
2017/0058257 A1* 3/2017 Levner C12M 35/04
2017/0121659 A1* 5/2017 Hinojosa C12M 23/16
2017/0121663 A1* 5/2017 Hinojosa C12M 41/40

* cited by examiner

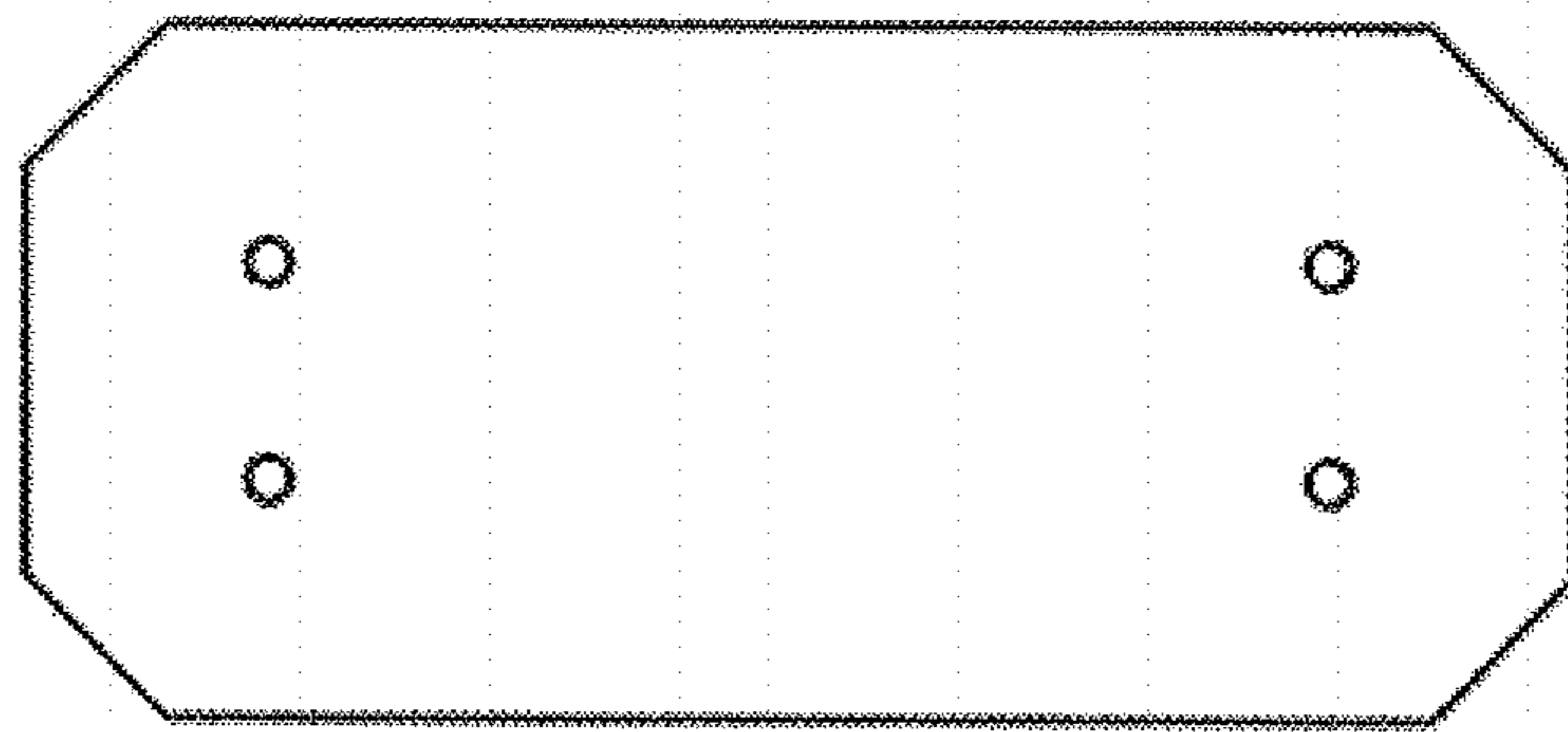


Figure 1

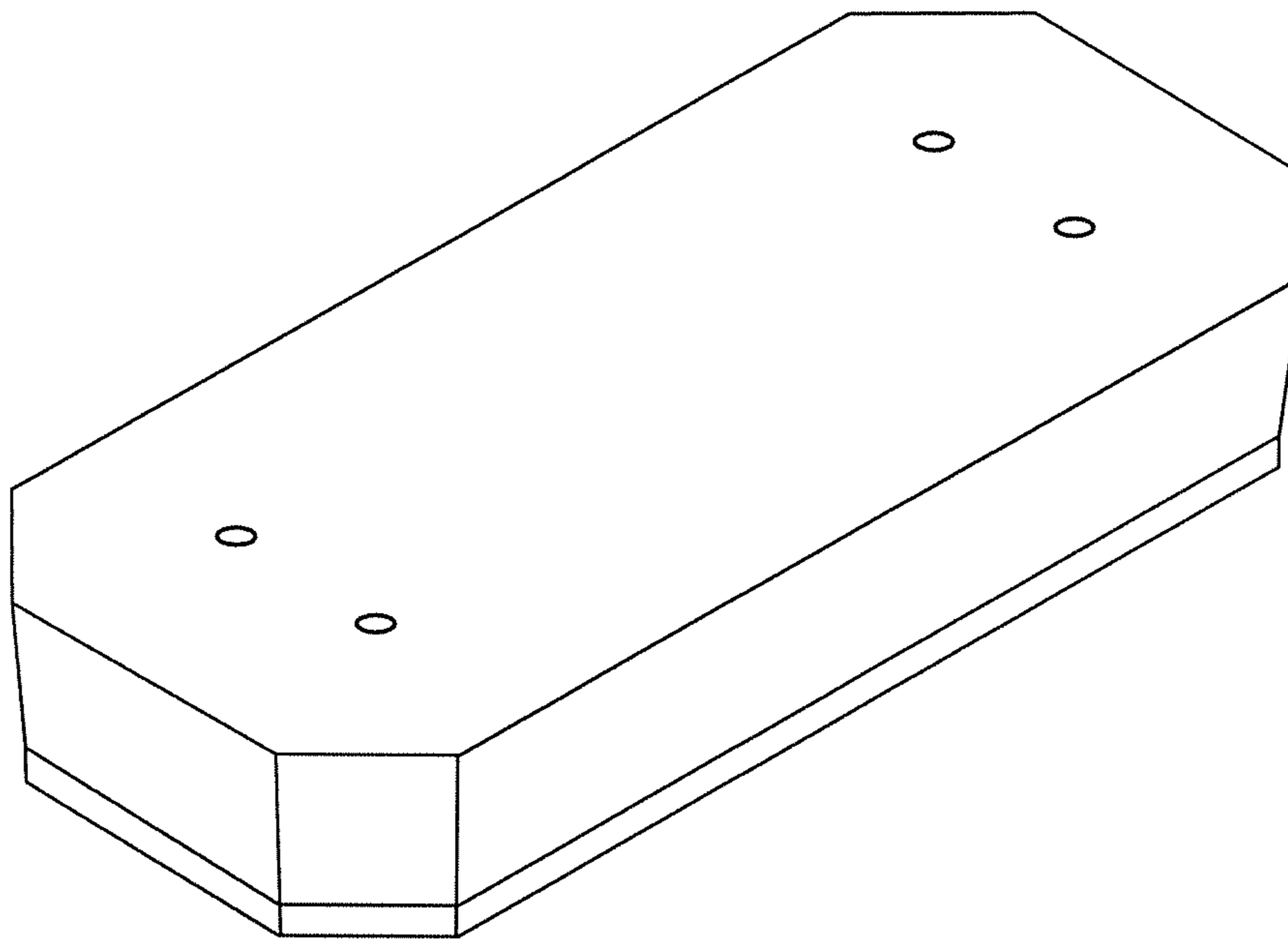


FIG. 2

UNITED STATES PATENT AND TRADEMARK OFFICE
CERTIFICATE OF CORRECTION

PATENT NO. : D838,864 S
APPLICATION NO. : 29/576817
DATED : January 22, 2019
INVENTOR(S) : Guy Robert Thompson, II, Norman Wen and Lewis Rowe

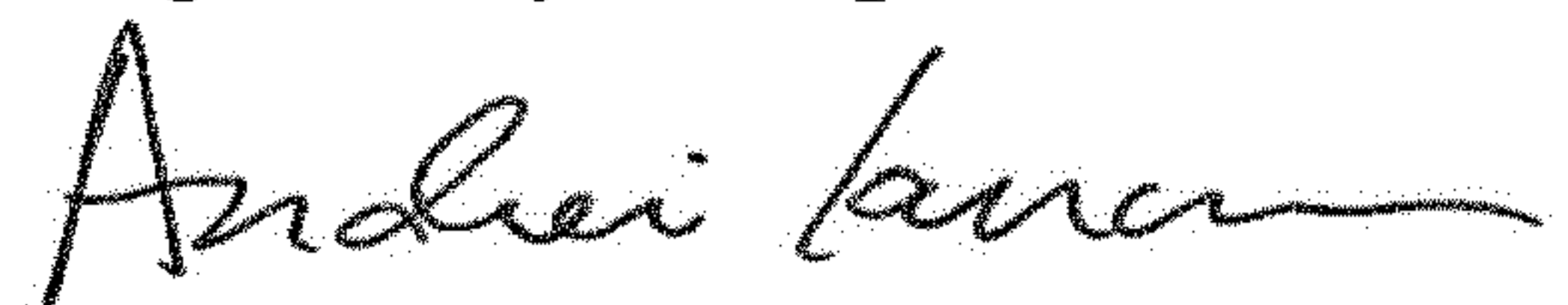
Page 1 of 1

It is certified that error appears in the above-identified patent and that said Letters Patent is hereby corrected as shown below:

On the Title Page

Column 1, Item (72): please delete from the "Inventors": "Daniel Levner, Brookline, MA (US)"

Signed and Sealed this
Eighth Day of September, 2020



Andrei Iancu
Director of the United States Patent and Trademark Office