



US00D838863S

(12) **United States Design Patent** (10) **Patent No.:** **US D838,863 S**
Hayashi et al. (45) **Date of Patent:** **** Jan. 22, 2019**

(54) **LIQUID MIXING CONTAINER**
 (71) Applicants: **NISSAN CHEMICAL INDUSTRIES, LTD.**, Tokyo (JP); **SUMITOMO BAKELITE CO., LTD.**, Tokyo (JP)
 (72) Inventors: **Hisato Hayashi**, Chiba (JP); **Haruo Okubo**, Tokyo (JP)
 (73) Assignee: **NISSAN CHEMICAL INDUSTRIES, LTD.**, Tokyo (JP)
 (**) Term: **15 Years**
 (21) Appl. No.: **29/541,477**
 (22) Filed: **Oct. 5, 2015**
 (30) **Foreign Application Priority Data**
 Apr. 7, 2015 (JP) 2015-007920
 (51) **LOC (11) Cl.** **24-02**
 (52) **U.S. Cl.**
 USPC **D24/224**
 (58) **Field of Classification Search**
 USPC D24/118, 121, 129, 130, 164, 224
 CPC A61B 10/0045; A61B 10/0051; A61B 10/007; A61B 10/0096; A61B 10/02; A61B 5/15003; A61B 5/150221; A61B 5/150259; A61C 17/046; A61J 1/00; A61J 1/05; A61J 1/06; A61J 1/1406; A61J 1/1425; A61J 1/1443; A61J 1/18; A61J 1/20; A61J 1/201; A61J 1/2055; A61J 1/2062; A61J 1/2082; A61J 1/2089; A61J 1/2096; A61M 1/0001; A61M 1/0005; A61M 1/0049; A61M 1/005; A61M 1/0056; A61M 1/062; A61M 1/0007; A61M 5/282; B01D 15/00; B01D 15/08; B01D 15/22; B01D 15/424; B01D 15/426; B01J 20/046; B01J 20/26; B01J
 (Continued)

(56) **References Cited**
 U.S. PATENT DOCUMENTS
 D282,283 S * 1/1986 Weigl D24/129
 D306,649 S * 3/1990 Lapicola D24/224
 (Continued)
 FOREIGN PATENT DOCUMENTS
 JP S55-125537 U 2/1979
 JP S63-20048 U 2/1988
 (Continued)
Primary Examiner — Ian Simmons
Assistant Examiner — Samantha Q. Lawrence
 (74) *Attorney, Agent, or Firm* — Leydig, Voit & Mayer, Ltd.

(57) **CLAIM**
 The ornamental design for a liquid mixing container, as shown and described.

DESCRIPTION
 FIG. 1 is a front view of a liquid mixing container of the present invention, wherein the rear view is a mirror image of the front view.
 FIG. 2 is a right side view thereof, wherein the left side view is an identical view.
 FIG. 3 is a top view thereof.
 FIG. 4 is a bottom view thereof.
 FIG. 5 is a cross-sectional view of the liquid mixing container taken along line 5-5 as shown in FIG. 3.
 FIG. 6 is an enlarged partial cross-sectional view of the liquid mixing container taken along line 6 as shown in FIG. 5; and,
 FIG. 7 is a cross-sectional view of the liquid mixing container shown with a syringe and liquid as environment.
 The features shown in dash/dash broken lines depict portions of the liquid mixing container and environmental that form no part of the claimed design. The unclaimed dash/dot broken lines are used to illustrate cross-sectional lines and areas of enlargement.

1 Claim, 7 Drawing Sheets



(58) **Field of Classification Search**

CPC 20/28014; B01J 20/286; B01J 20/3242;
 B01L 3/0275; B01L 3/502; B01L 3/5021;
 B01L 3/50255; B01L 3/502715; B01L
 3/5029; B01L 3/508; B01L 3/50825;
 B01L 3/50853; B01L 3/5457; B01L
 3/5082-3/569; B65D 47/00-47/44; B65D
 47/06; B65D 47/0885; B65D 47/141;
 B65D 47/147; B65D 47/148; B65D
 47/18; B65D 47/2031; G01N 1/34; G01N
 1/405; G01N 1/4077; G01N 30/00; G01N
 30/006; G01N 30/08; G01N 30/12; G01N
 30/16; G01N 30/24; G01N 30/6026;
 G01N 30/6052; G01N 30/6091

See application file for complete search history.

(56) **References Cited**

U.S. PATENT DOCUMENTS

4,944,736 A * 7/1990 Holtz A61J 1/2096
 215/200
 4,957,492 A * 9/1990 McVay A61M 1/0056
 600/573
 D323,116 S * 1/1992 Dart D9/435
 D374,481 S * 10/1996 McCallister D24/118
 5,573,525 A * 11/1996 Watson A61J 1/2096
 215/306
 5,624,418 A * 4/1997 Shepard A61M 1/0056
 210/232
 D392,046 S * 3/1998 Niedospial, Jr. D24/224
 5,776,124 A * 7/1998 Wald A61J 1/2096
 604/403
 5,797,742 A * 8/1998 Fraker A61C 17/046
 209/173
 5,893,397 A * 4/1999 Peterson A61J 1/2096
 141/27

6,426,049 B1 7/2002 Rosen et al.
 D526,413 S * 8/2006 Baker D24/164
 D573,017 S * 7/2008 Henderson D9/454
 D596,487 S * 7/2009 Batton D9/447
 7,694,828 B2 * 4/2010 Swift B01J 20/046
 210/173
 D630,094 S * 1/2011 Maxwell D9/447
 D640,135 S * 6/2011 Grace B65D 47/06
 D9/447
 8,465,439 B2 * 6/2013 Parks A61M 1/0001
 600/562
 D705,059 S * 5/2014 Hutchison D9/447
 D706,135 S * 6/2014 Hutchison D9/447
 D708,946 S * 7/2014 Hutchison D9/447
 D744,857 S * 12/2015 Gieske D9/435
 D748,776 S * 2/2016 Brannon D24/121
 D781,101 S * 3/2017 Barber D9/435
 D783,176 S * 4/2017 Gavlak D24/121
 D789,199 S * 6/2017 Kerill D9/447
 D790,341 S * 6/2017 Ross D9/447
 2004/0087918 A1 * 5/2004 Johnson, III A61M 1/0005
 604/319
 2007/0203451 A1 * 8/2007 Murakami A61M 5/282
 604/82
 2015/0359949 A1 * 12/2015 Yeager A61M 1/0056
 435/283.1
 2016/0097049 A1 * 4/2016 Qian B01L 3/502
 435/6.12
 2016/0159635 A1 * 6/2016 Davis B67D 3/0041
 141/366
 2016/0338911 A1 * 11/2016 Fangrow A61J 1/2096
 2017/0312175 A1 * 11/2017 Lev A61J 1/20

FOREIGN PATENT DOCUMENTS

JP D1034123 S 3/1999
 JP 2011-203258 10/2011

* cited by examiner

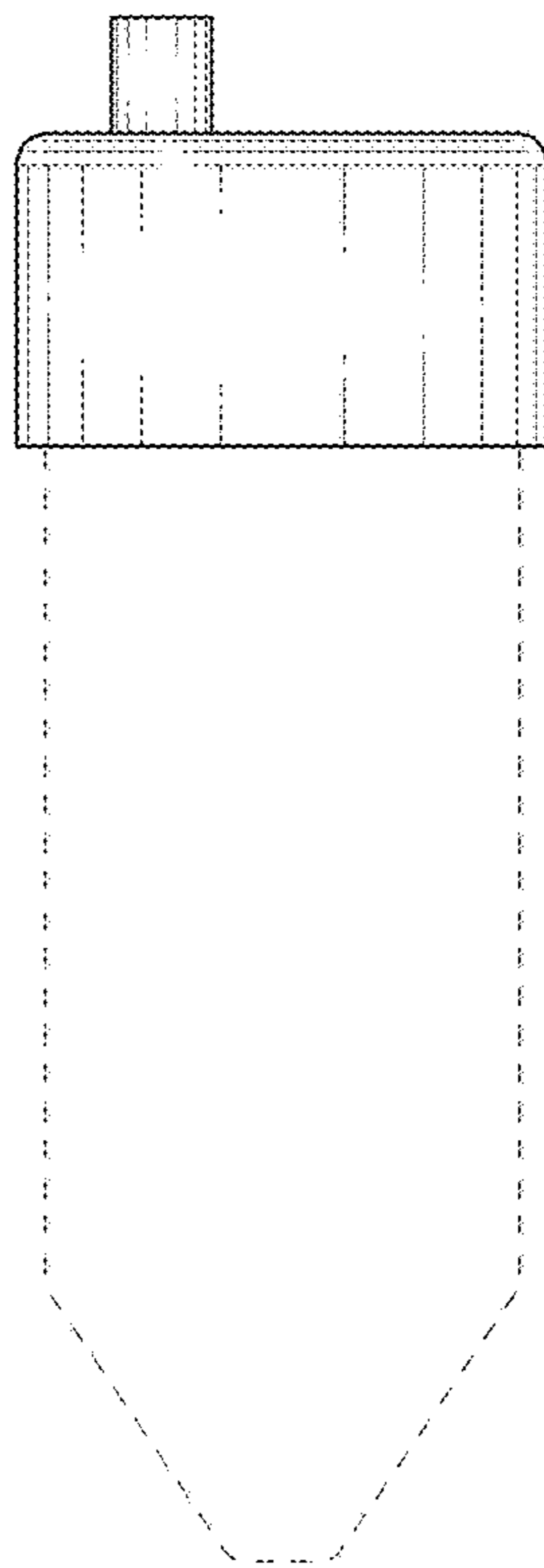


FIG. 1

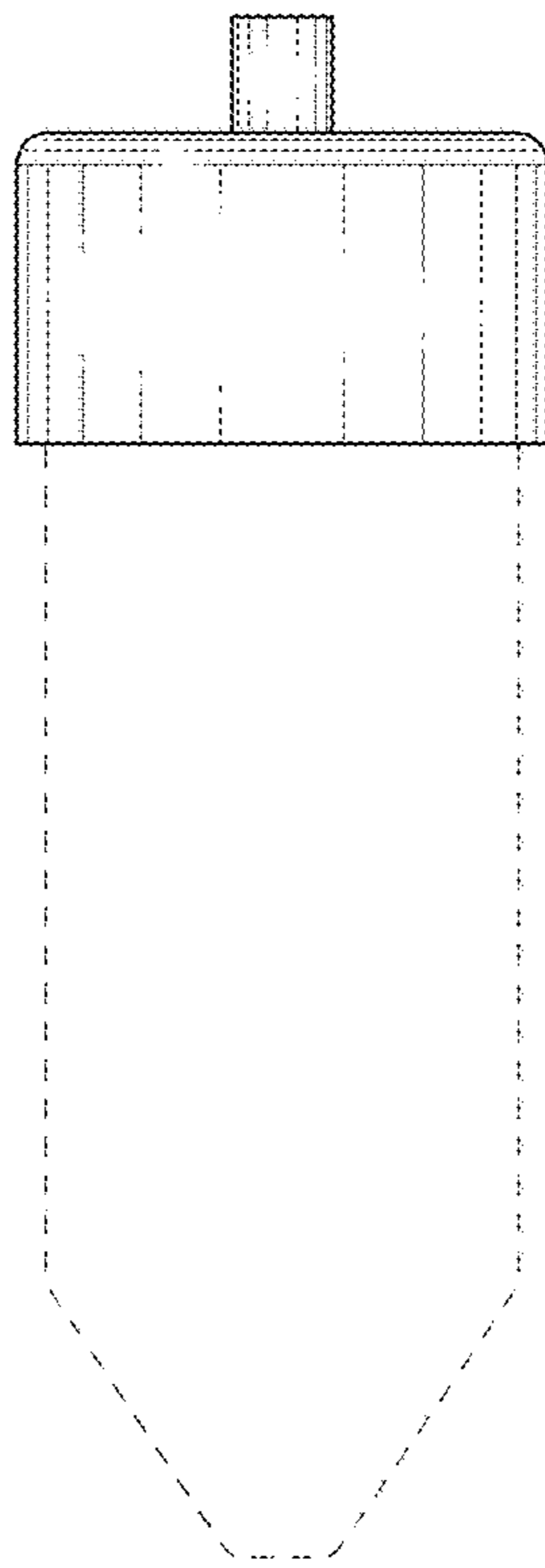


FIG. 2

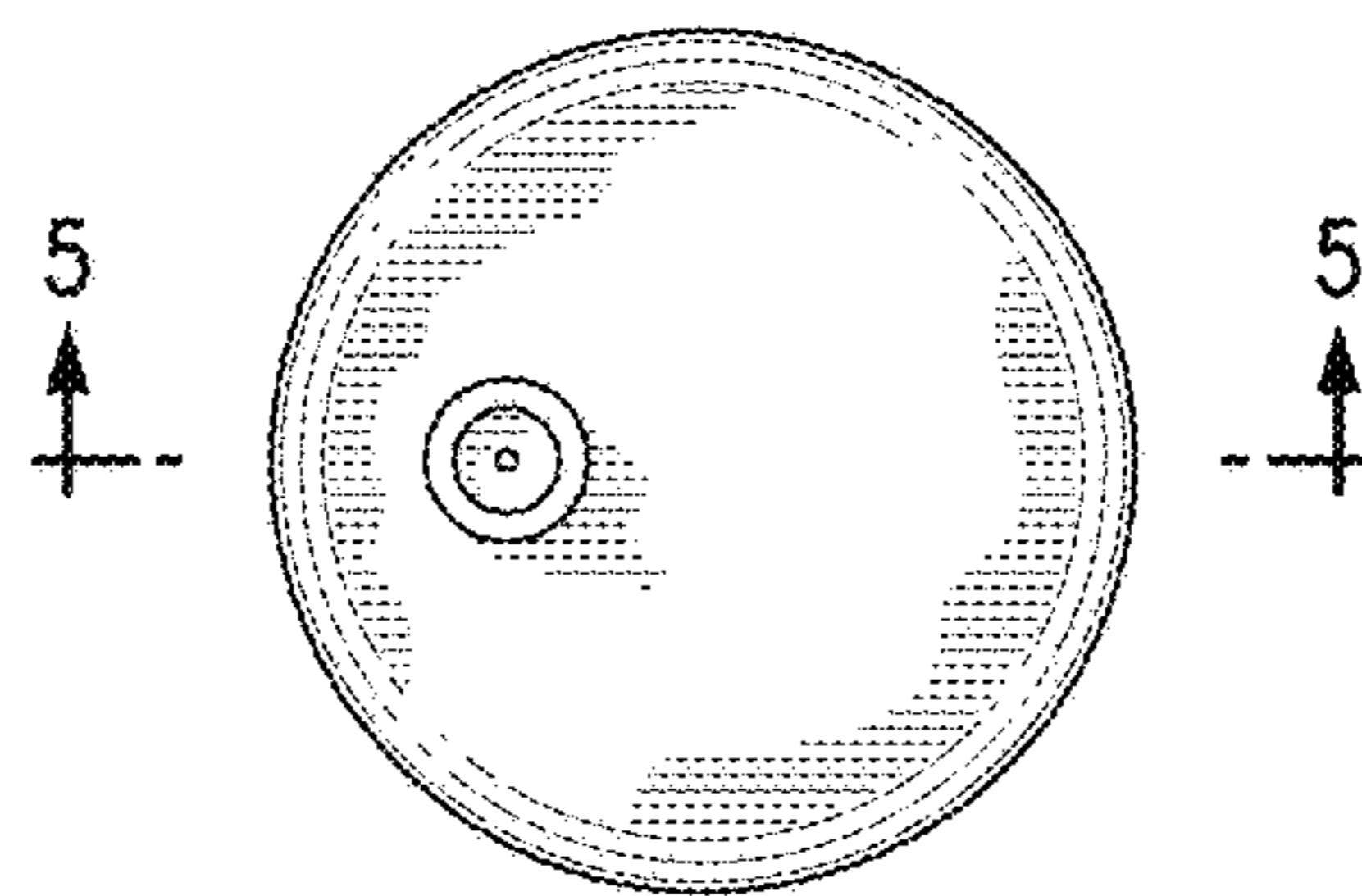


FIG. 3

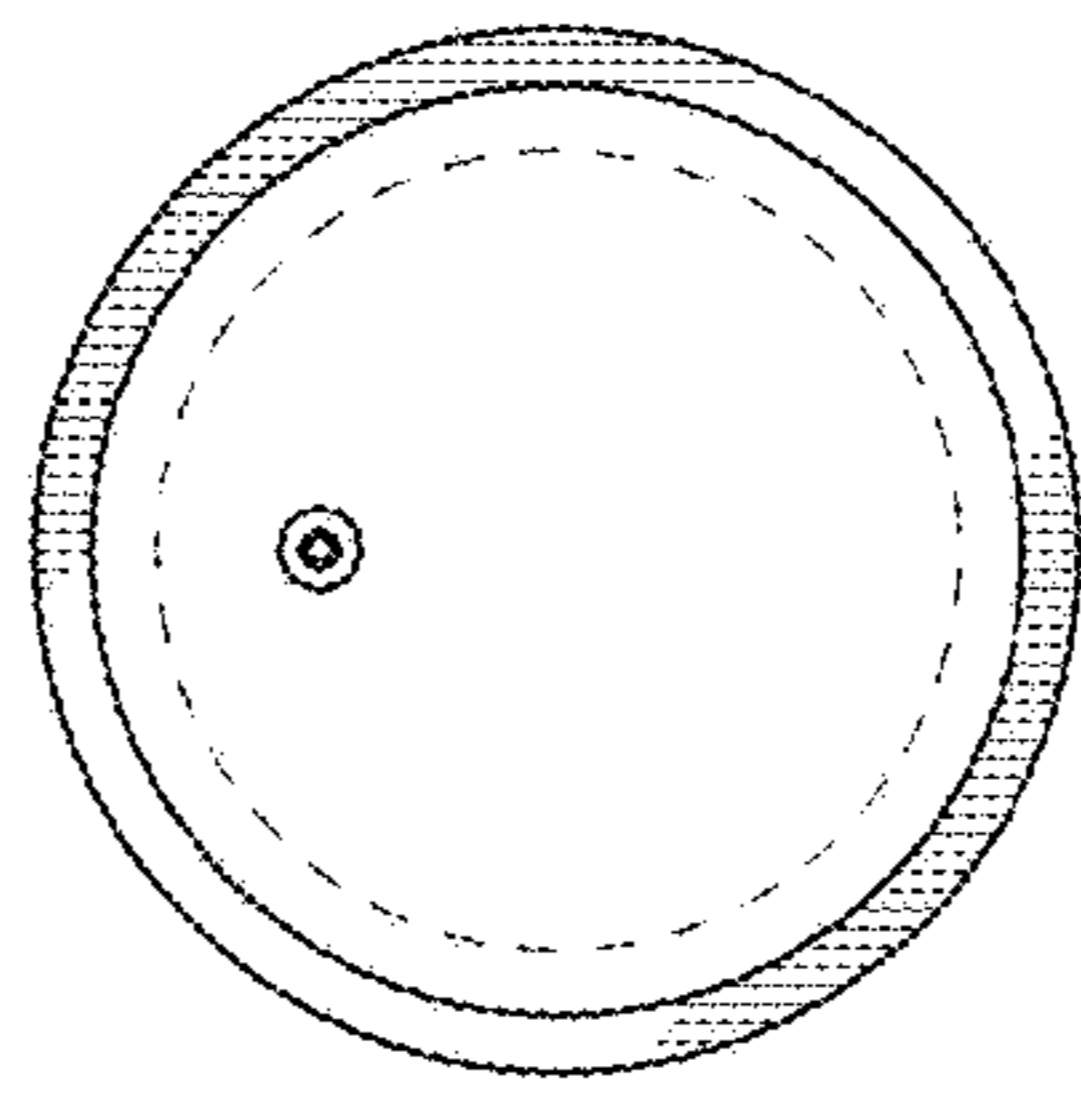


FIG. 4

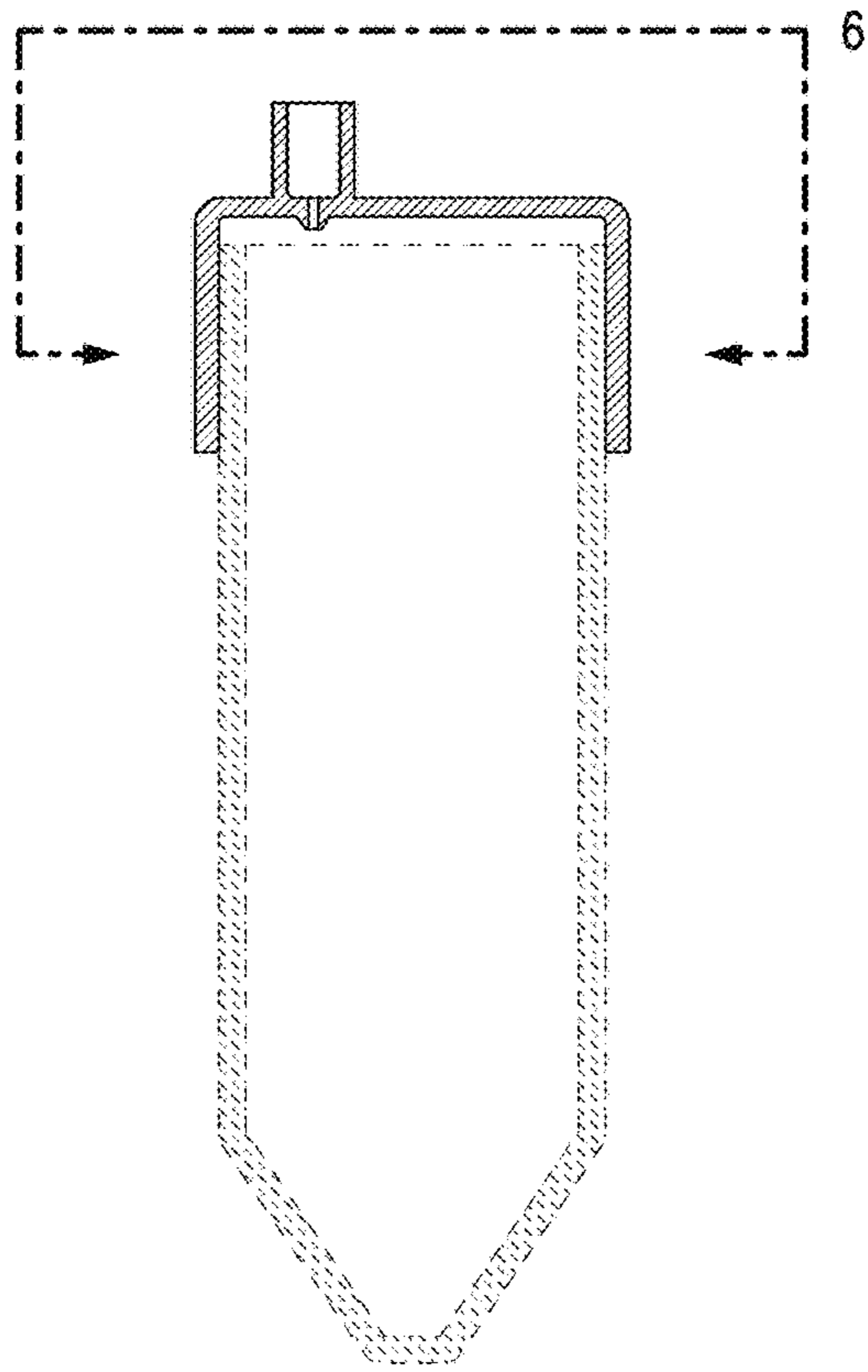


FIG. 5

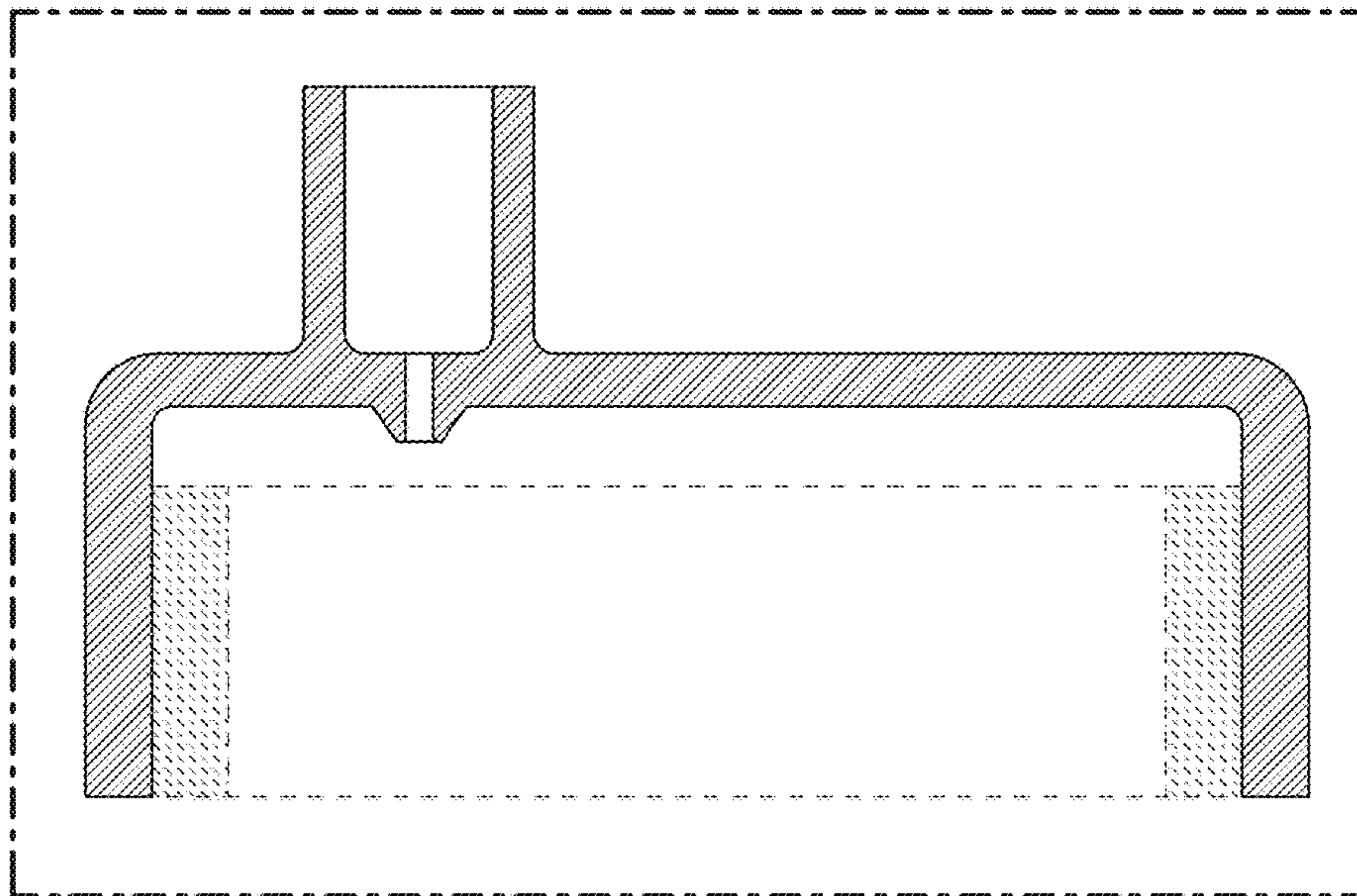


FIG. 6

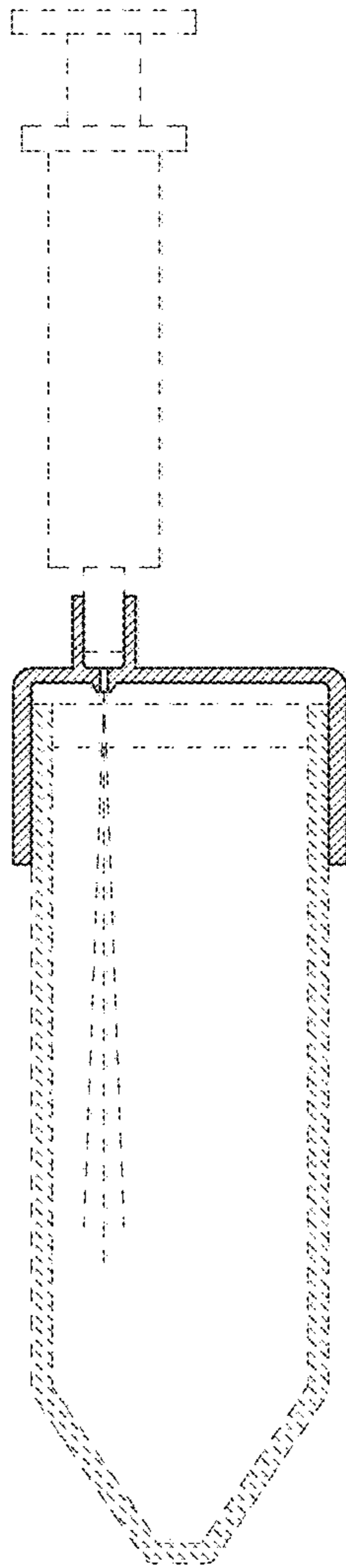


FIG. 7