



US00D838861S

(12) **United States Design Patent** (10) **Patent No.:** **US D838,861 S**
Smith (45) **Date of Patent:** **** Jan. 22, 2019**

(54) **MESSAGE DEVICE**
(71) Applicant: **Dakota Smith**, Chicago, IL (US)
(72) Inventor: **Dakota Smith**, Chicago, IL (US)
(73) Assignee: **Spara Inc.**, Hampshire, IL (US)
(**) Term: **15 Years**

(21) Appl. No.: **29/596,931**
(22) Filed: **Mar. 13, 2017**
(51) **LOC (11) Cl.** **28-03**
(52) **U.S. Cl.**
USPC **D24/215**
(58) **Field of Classification Search**
USPC .. 601/15, 18, 19, 27, 28-32, 46, 47, 48, 52,
601/99, 112, 113, 118, 135, 137, DIG. 12,
601/DIG. 14, DIG. 15, DIG. 16, DIG. 17;
D24/183, 200, 211, 212, 213, 214, 215;
D30/160; 600/38, 39; D19/75, 99
CPC A61H 2201/164; A61H 2201/5002; A61H
2201/0134; A61H 2201/0157; A61H
2205/12; A61H 2205/125
See application file for complete search history.

(56) **References Cited**

U.S. PATENT DOCUMENTS

D257,778 S * 1/1981 Macowski D19/99
D366,904 S * 2/1996 Stukenkemper D19/75
5,702,354 A 12/1997 Despain et al.
6,146,343 A 11/2000 Stewart
D459,758 S * 7/2002 Foster D19/75
6,494,849 B2 12/2002 Kuo
6,921,372 B2 7/2005 Shin
D511,213 S * 11/2005 Hasegawa D24/200
D551,355 S * 9/2007 Tao D24/200
D615,662 S * 5/2010 Turner D24/200
D628,298 S * 11/2010 Rubio D24/183
D645,569 S * 9/2011 Nitsch D24/215
D649,253 S * 11/2011 Held D24/183
D649,653 S * 11/2011 Halvorsen D24/215

D652,935 S * 1/2012 Held D24/183
D657,468 S * 4/2012 Held D24/184
D672,879 S * 12/2012 Hawkins D24/200
D680,654 S * 4/2013 Borreli D24/188
D686,742 S * 7/2013 Luzon D24/215
D688,379 S * 8/2013 Ehlers D21/685
D758,110 S 6/2016 Shannon
(Continued)

OTHER PUBLICATIONS

Spara, "Spara Podiatry Massage Therapy Tool", Mar. 22, 2018.
<https://sparainc.com/>. Shown on p. 1. (Year: 2018).*

Primary Examiner — Cynthia Ramirez
Assistant Examiner — Michael A Maharajh
(74) *Attorney, Agent, or Firm* — IpHorgan Ltd.

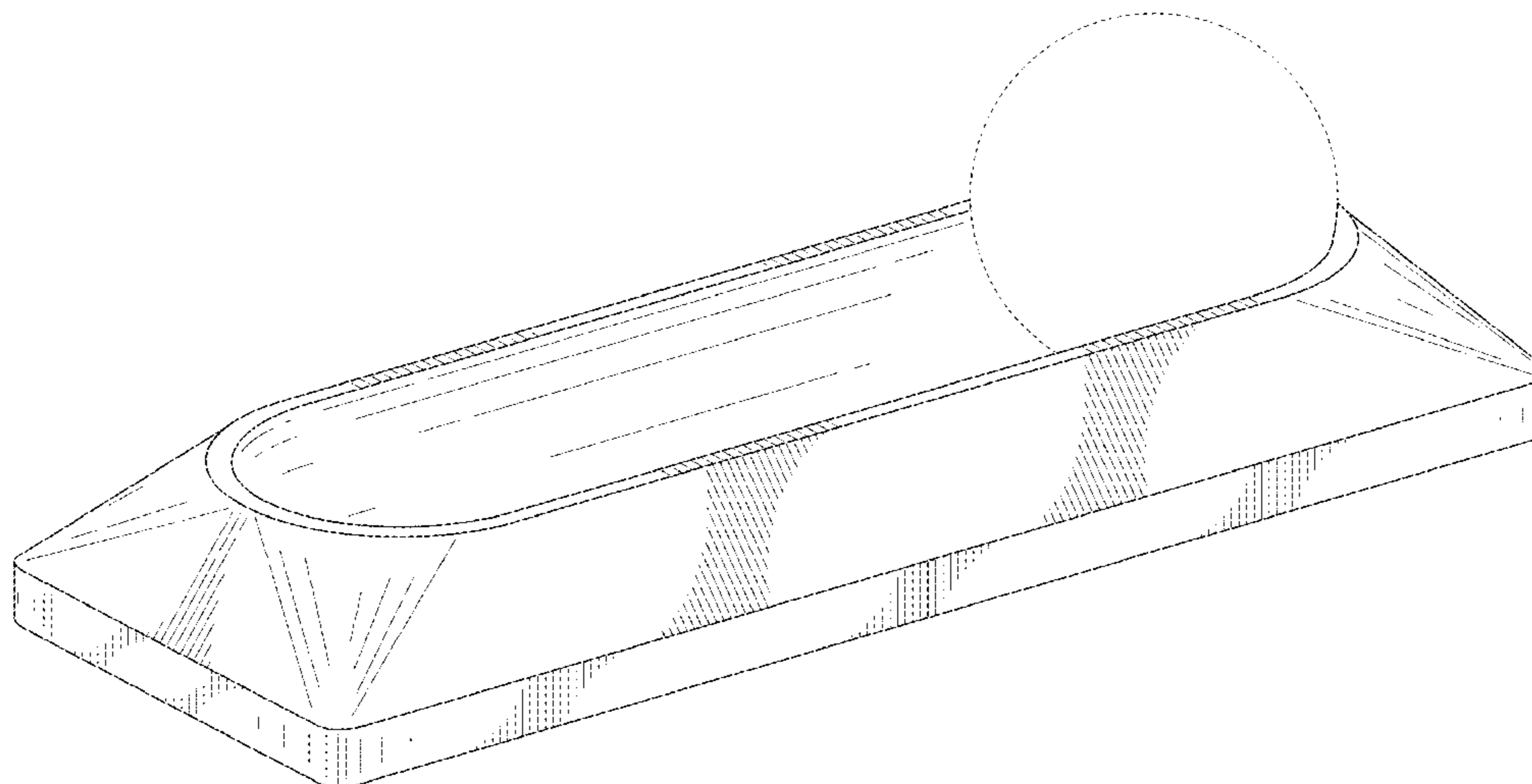
(57) **CLAIM**

The ornamental design for a massage device, as shown and described.

DESCRIPTION

FIG. 1 is a perspective view of a massage device, showing the new ornamental design of the massage device and relative positioning of a ball;
FIG. 2 is a perspective view of a massage device, showing the new ornamental design;
FIG. 3 is a top view of a massage device, showing the new ornamental design;
FIG. 4 is a bottom view of a massage device, showing the new ornamental design;
FIG. 5 is a right side view of a massage device, which is identical to the left side, showing the new ornamental design; and,
FIG. 6 is a front view of a massage device, which is identical to the back, showing the new ornamental design.
Portions of the drawing shown in broken lines are for illustrative purposes only and form no part of the claimed design.

1 Claim, 6 Drawing Sheets



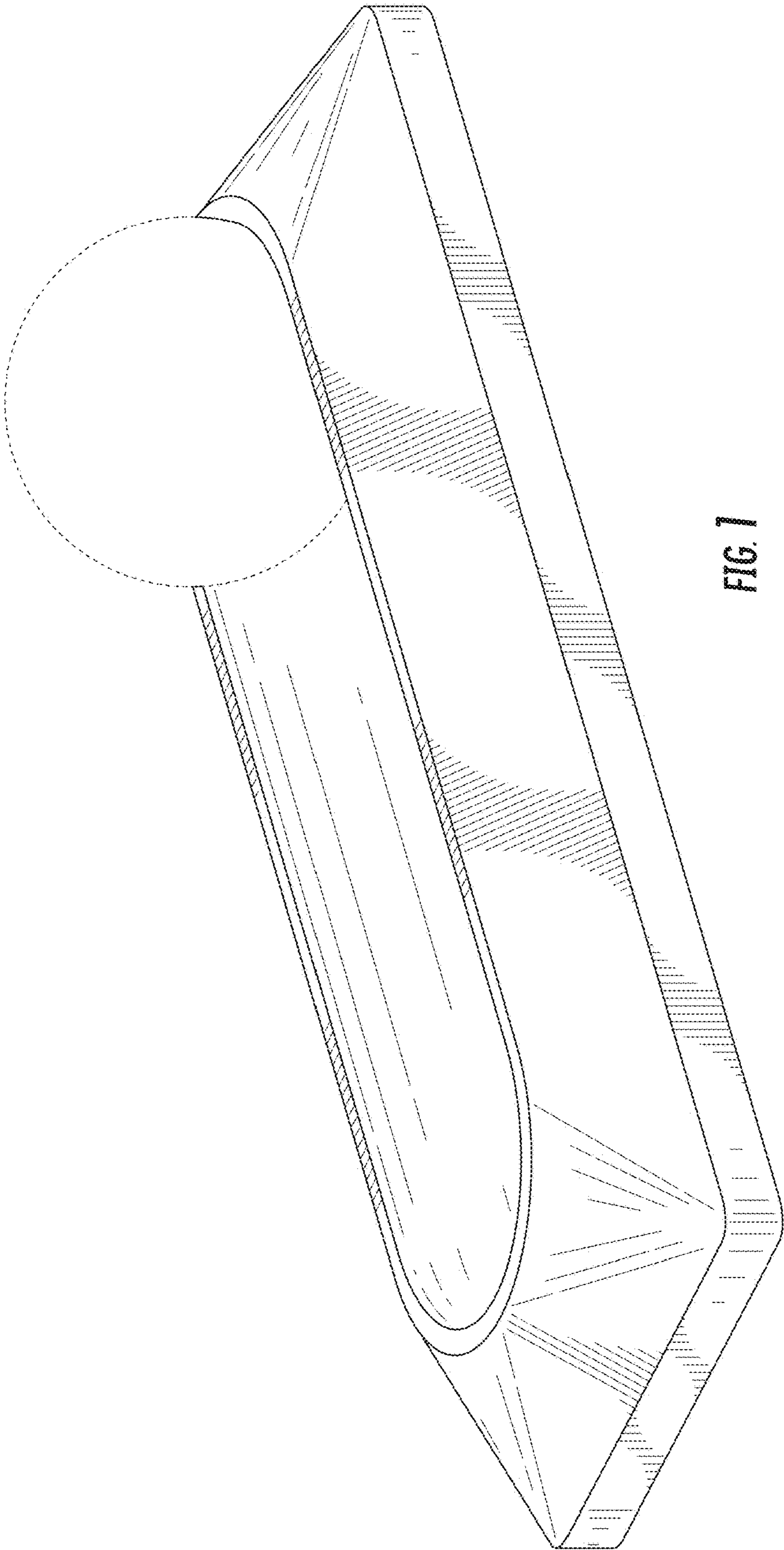
(56)

References Cited

U.S. PATENT DOCUMENTS

D758,111 S	6/2016	Shannon	
D761,044 S	7/2016	Shannon	
D820,070 S *	6/2018	Cutler	D8/374
D820,465 S *	6/2018	Chen	D24/215
2015/0257962 A1	9/2015	Shannon	

* cited by examiner



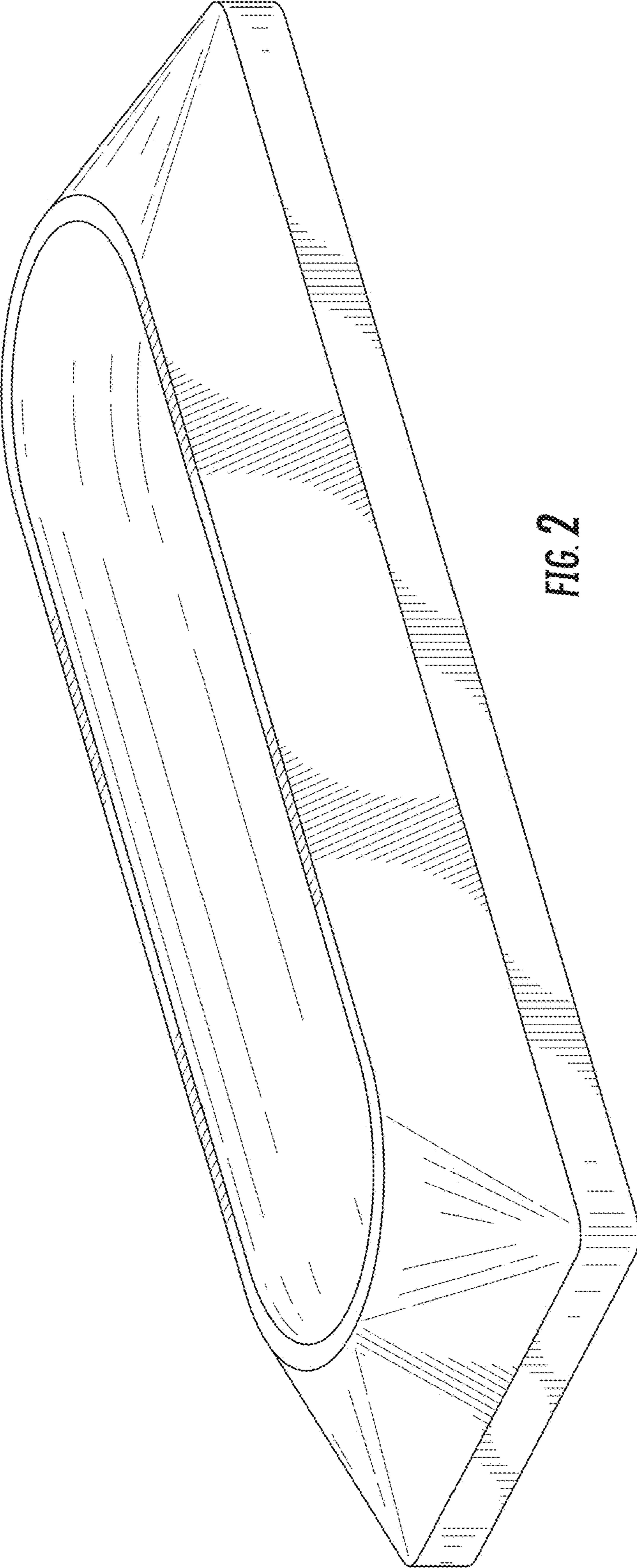


FIG. 2

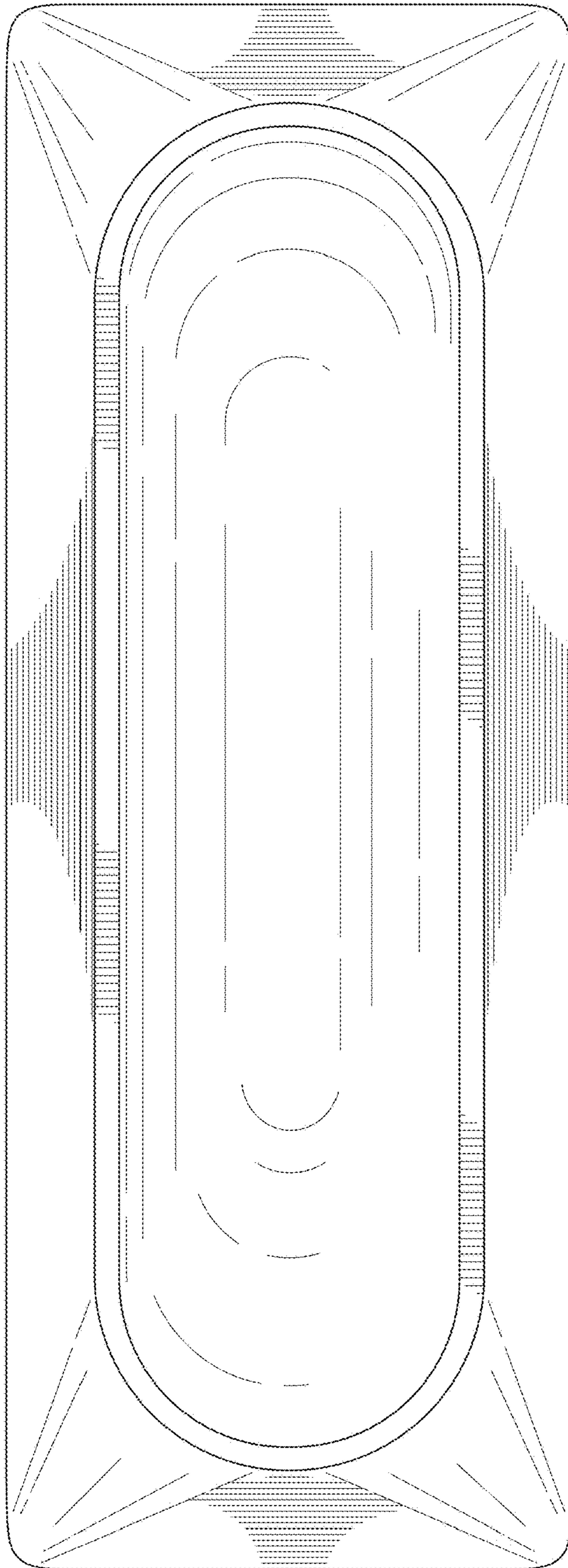


FIG. 3

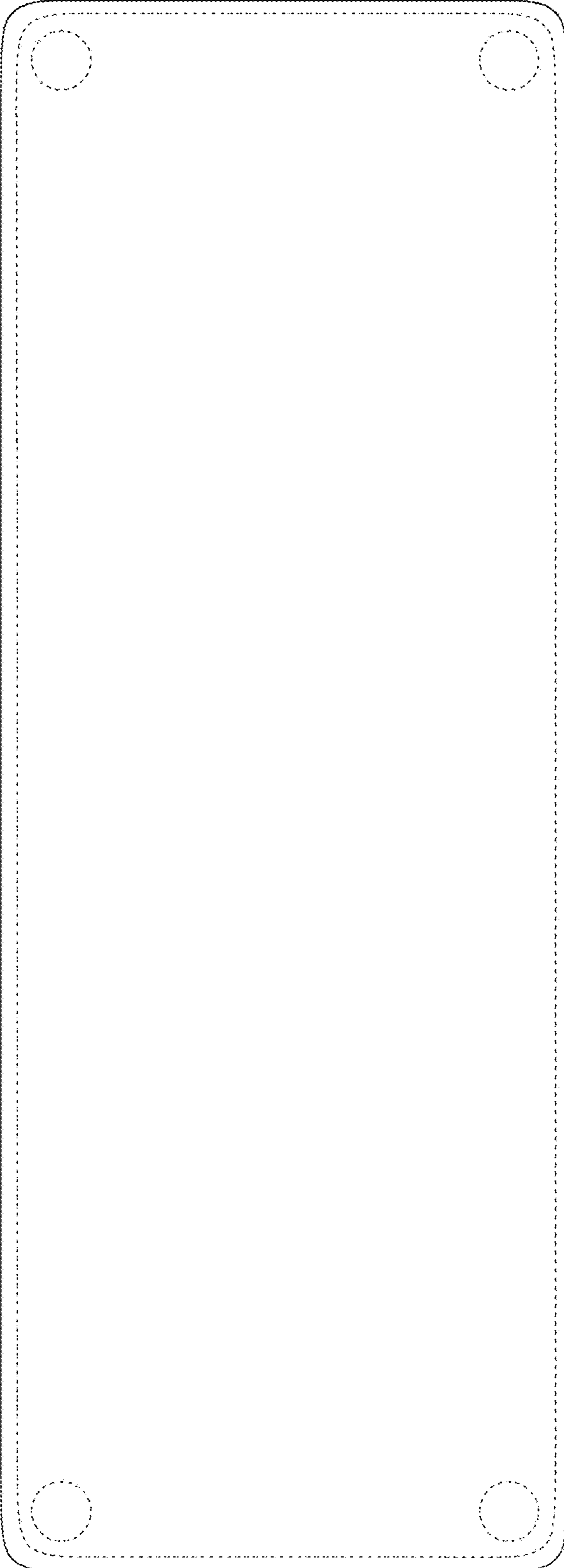


FIG. 4

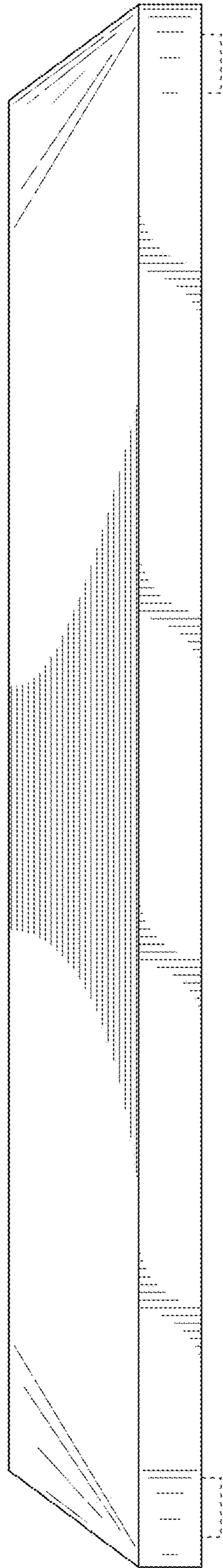


FIG. 5

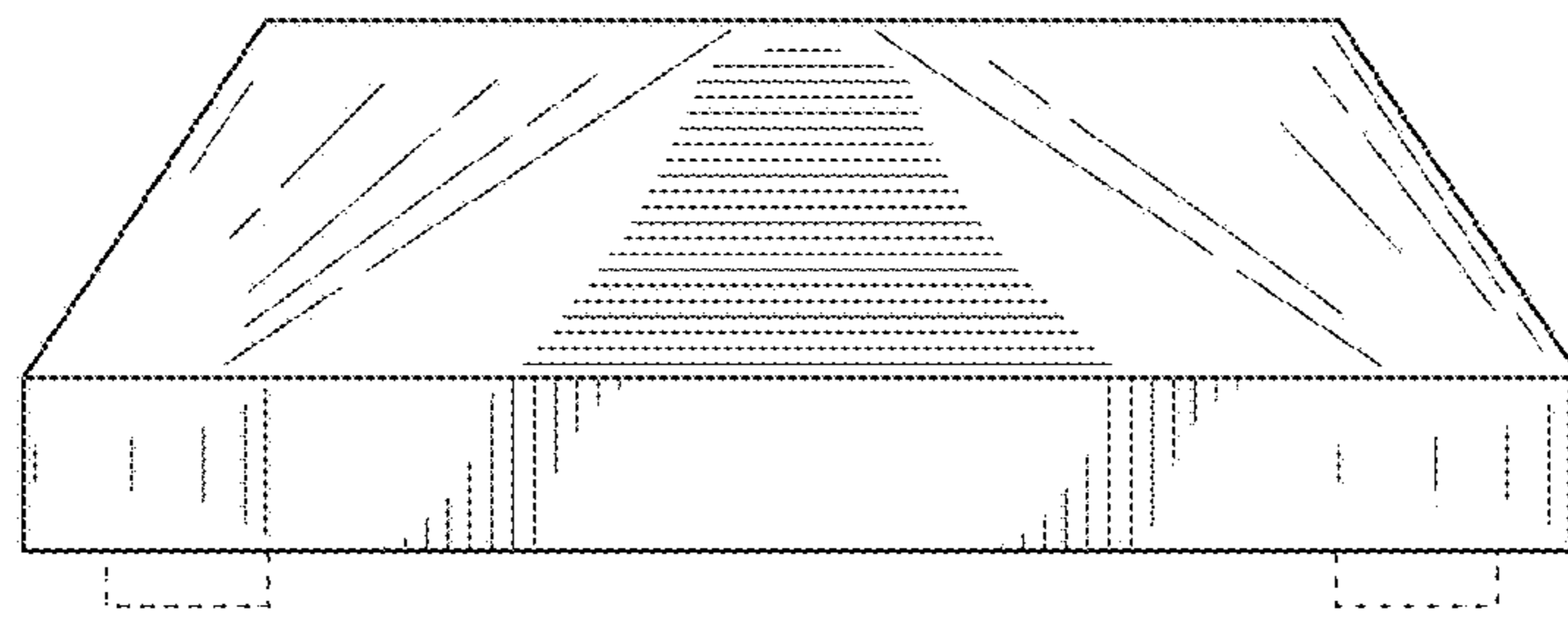


FIG. 6