



US00D838859S

(12) **United States Design Patent**
Yu

(10) **Patent No.:** **US D838,859 S**
(45) **Date of Patent:** **** Jan. 22, 2019**

- (54) **WAX WARMER** 6,444,956 B1 * 9/2002 Witcher A45D 34/00
219/386
- (71) Applicant: **Jin Yu**, Guangdong (CN) 6,756,567 B1 * 6/2004 Suen F27B 17/00
219/424
- (72) Inventor: **Jin Yu**, Guangdong (CN) D641,202 S * 7/2011 Bock D7/354
8,045,848 B2 * 10/2011 Wortley A47J 36/2438
392/441
- (73) Assignee: **Shenzhen OuYe E-Commerce Co Ltd.**, Longhua Dist., Shenzhen, Guangdong (CN) D679,935 S * 4/2013 Tse D7/326
9,655,168 B2 * 5/2017 Belongia H05B 3/0052
D789,136 S * 6/2017 Russillo D24/200

(**) Term: **15 Years**

* cited by examiner

(21) Appl. No.: **29/618,205**

Primary Examiner — Freda S Nunn

(22) Filed: **Sep. 20, 2017**

(51) **LOC (11) Cl.** **24-04**

(52) **U.S. Cl.**

USPC **D24/200**

(58) **Field of Classification Search**

USPC D24/200, 204; D7/314, 323, 326, 354,
D7/357, 376, 378, 386, 412, 665;
607/96, 104, 108, 111; 604/291;
392/336, 444; 219/429, 436; 220/592.17
CPC H05B 1/0252; H05B 1/02; H05B 3/00;
H05B 3/26; H05B 3/0052; H05B
2203/02; A61L 9/03; A61F 7/0053; F27B
17/00; A47J 36/2433; A47J 27/004; A47J
36/2438; A01K 63/065; A01K 63/06;
A63H 5/00; F24H 1/18; A45D 34/00
See application file for complete search history.

(56) **References Cited**

U.S. PATENT DOCUMENTS

- D442,284 S * 5/2001 Ferber D24/200
- 6,441,348 B1 * 8/2002 Yang A61F 7/0053
219/439

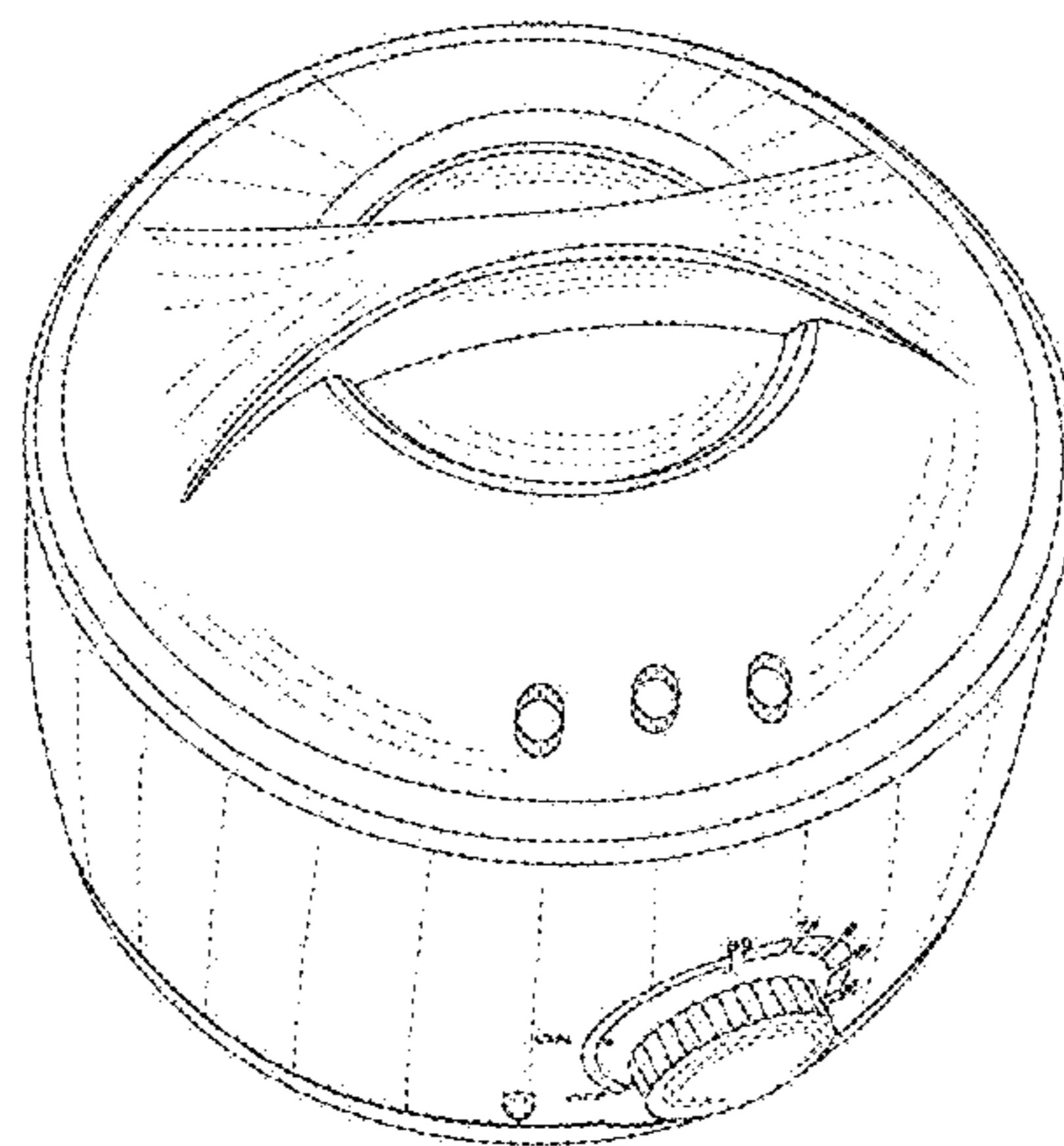
(57) **CLAIM**

The ornamental design for a wax warmer, as shown and described.

DESCRIPTION

FIG. 1 is a perspective view of a wax warmer showing my new design;
FIG. 2 is a front elevational view thereof;
FIG. 3 is a rear elevational view thereof;
FIG. 4 is a left side elevational view thereof;
FIG. 5 is a right side elevational view thereof;
FIG. 6 is a top plan view thereof; and,
FIG. 7 is a bottom plan view thereof.

1 Claim, 7 Drawing Sheets



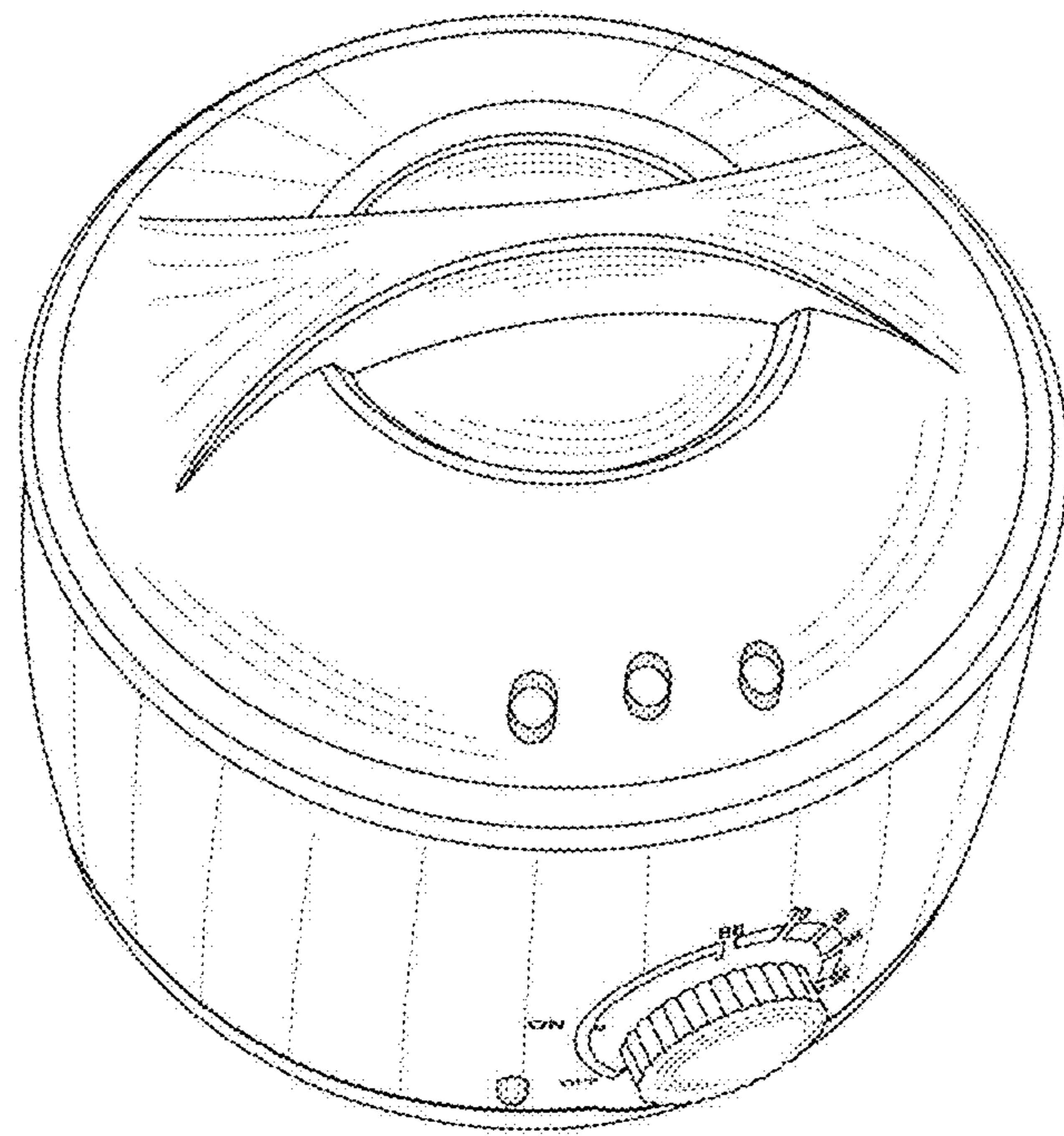


FIG.1

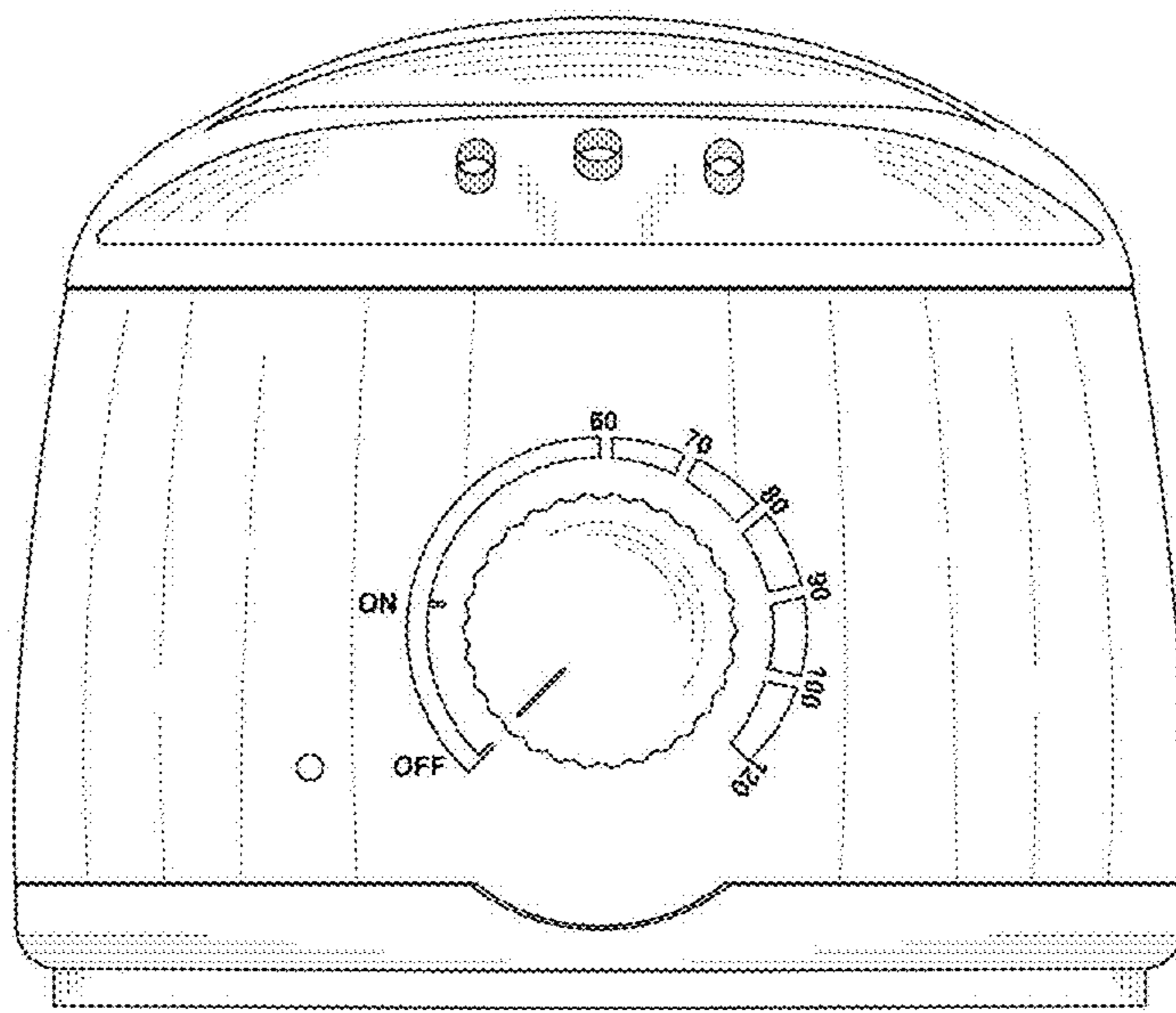


FIG. 2

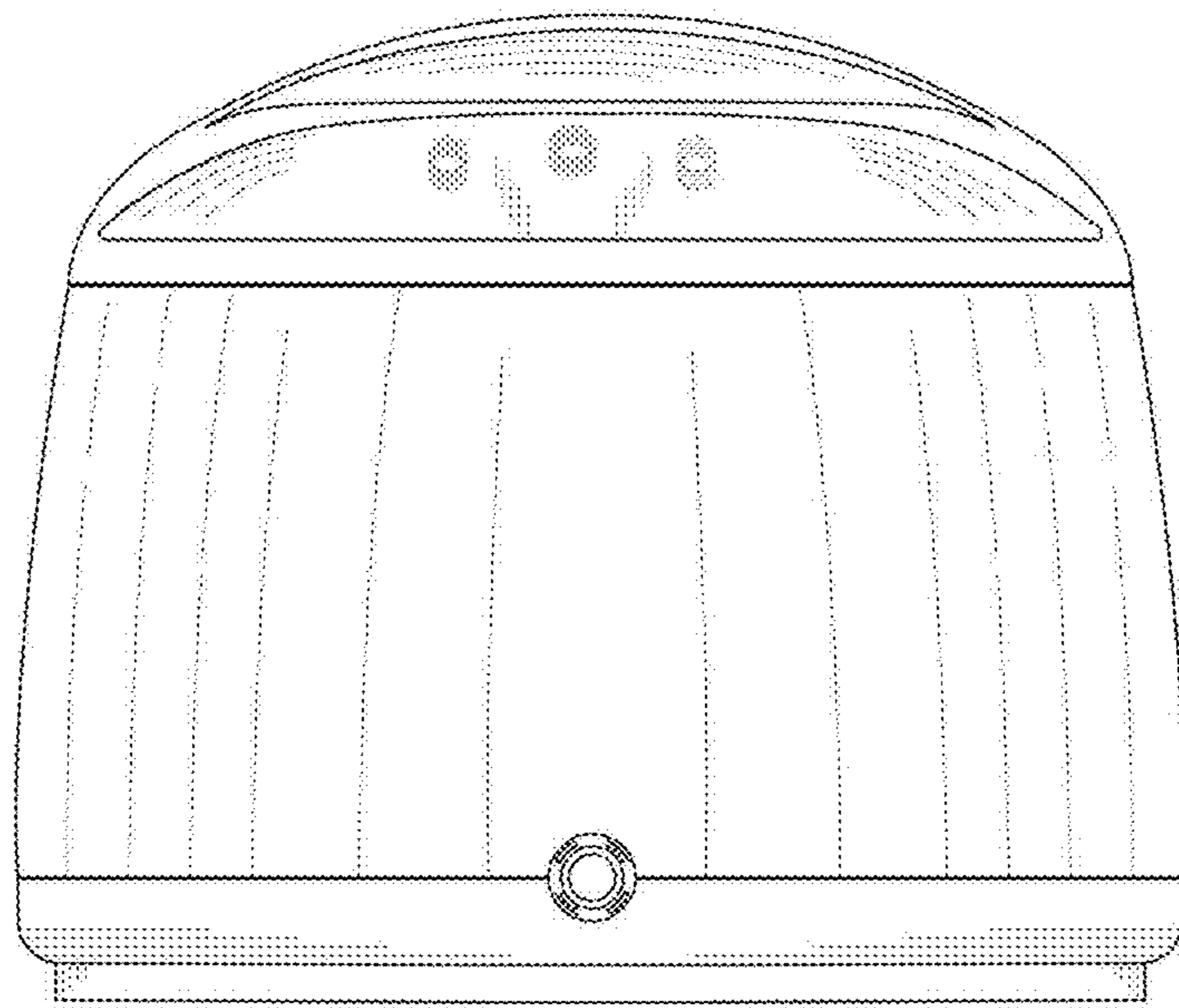


FIG.3

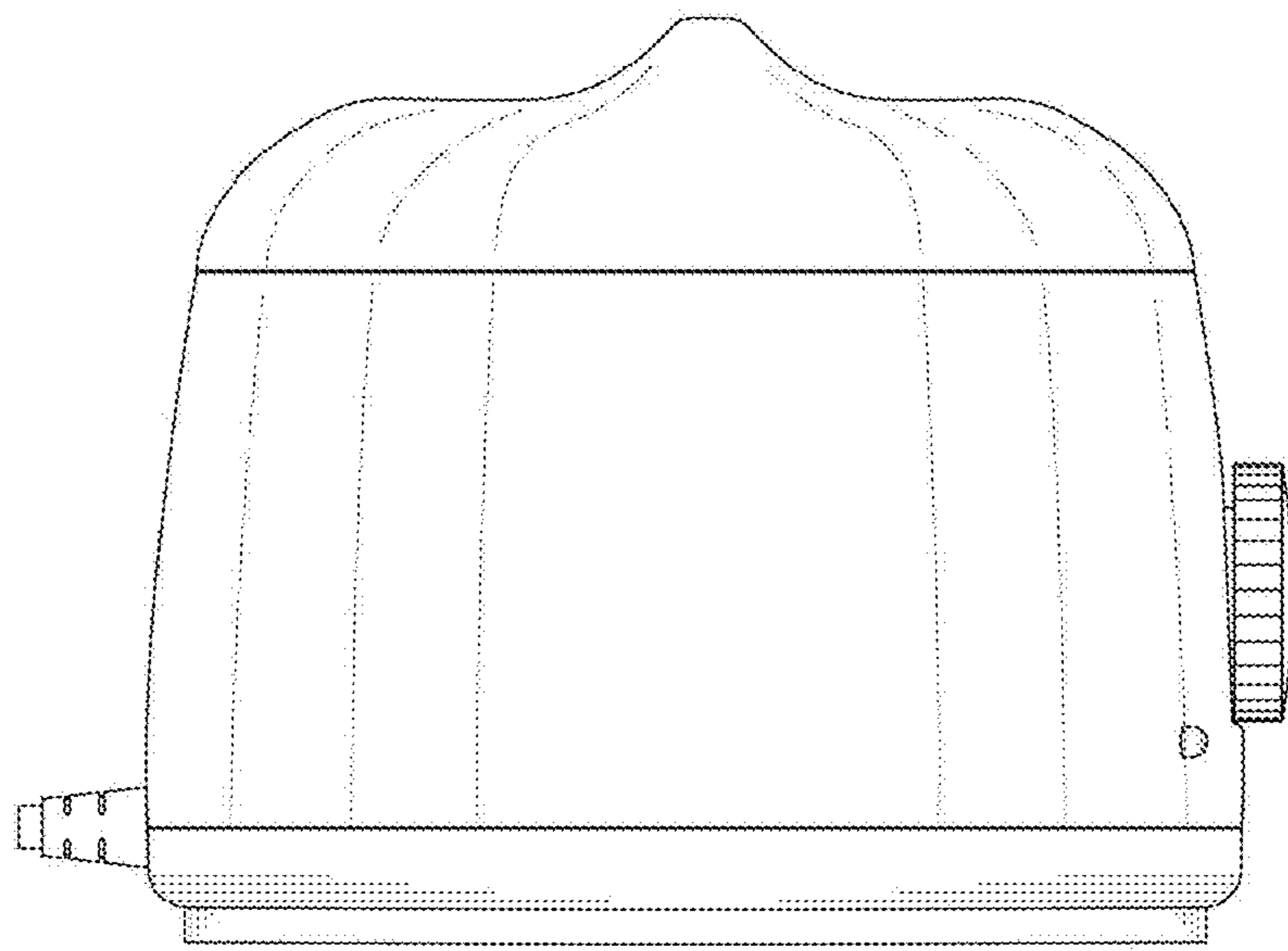


FIG.4

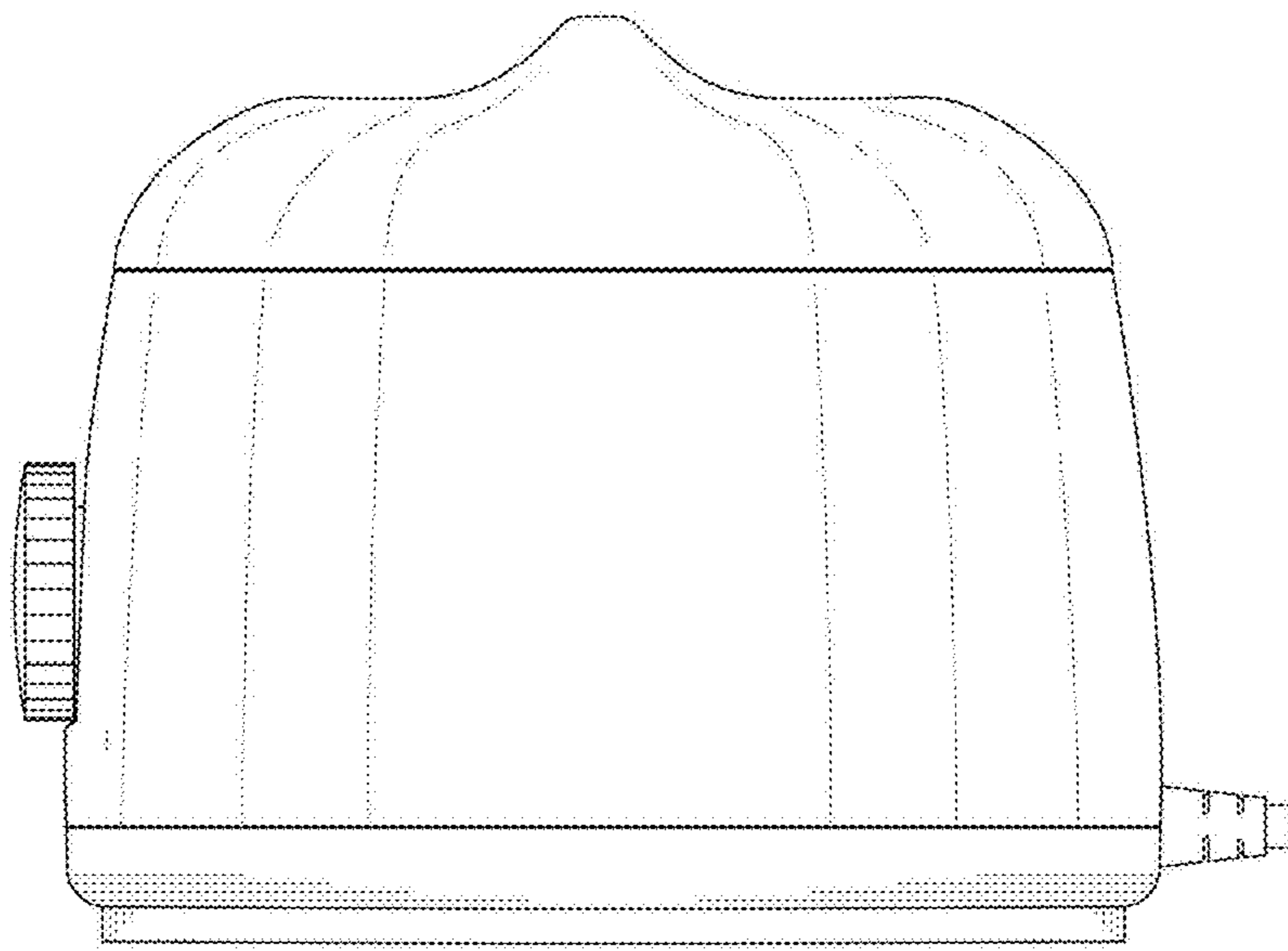


FIG. 5

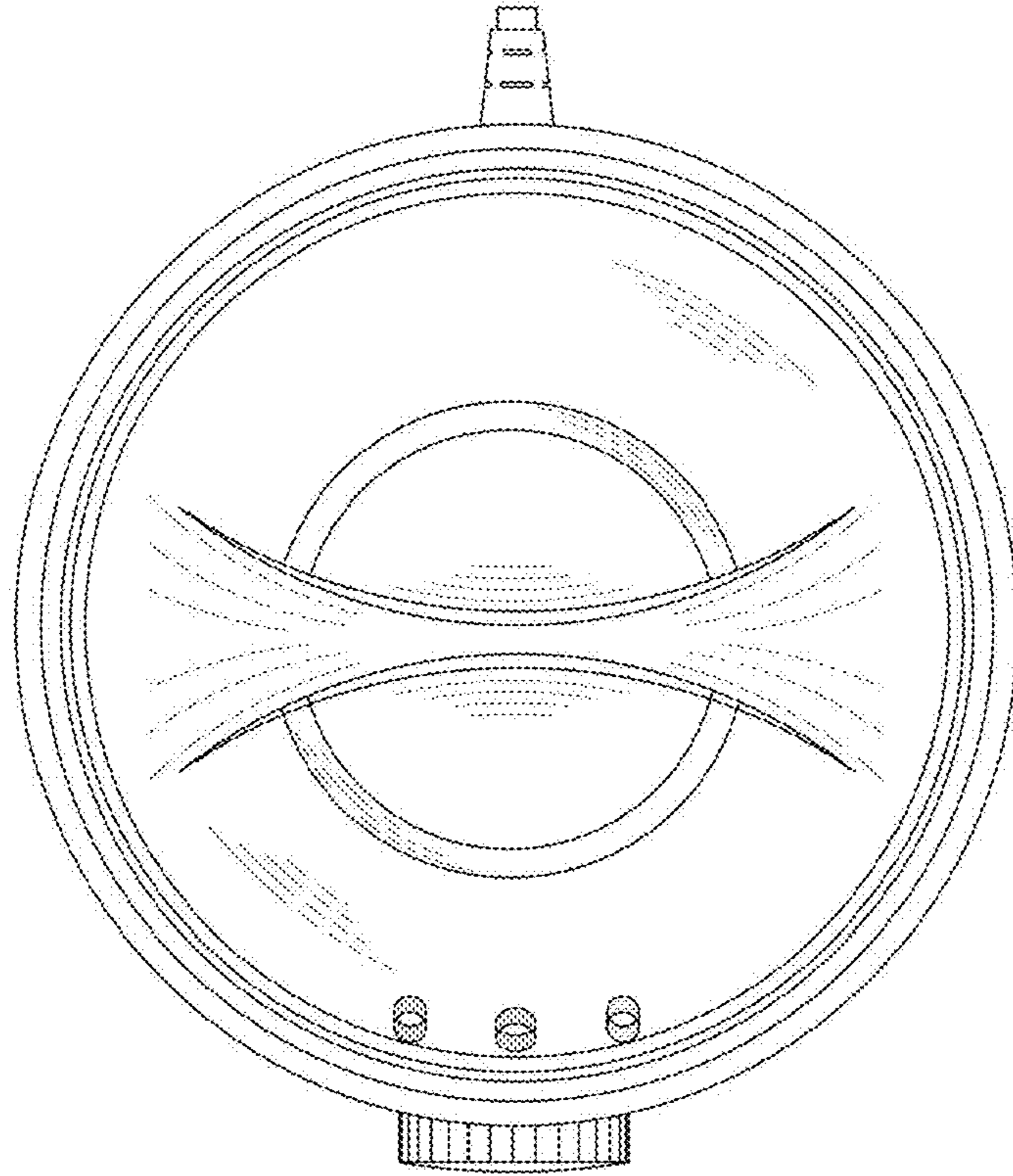


FIG.6

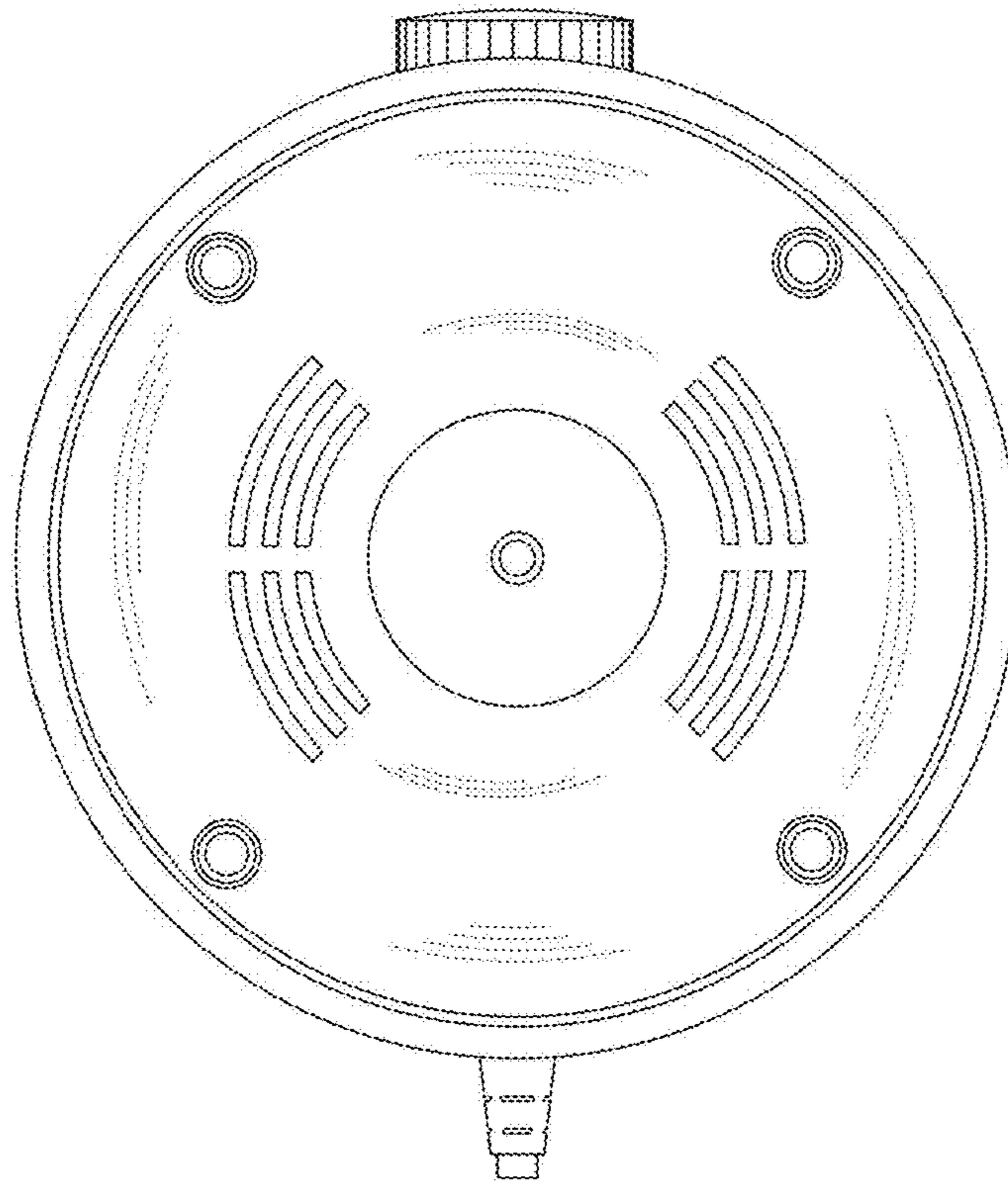


FIG.7



US00D838859C1

(12) **EX PARTE REEXAMINATION CERTIFICATE** (11907th)
United States Patent
Yu

(10) **Number:** **US D838,859 C1**
(45) **Certificate Issued:** **Aug. 31, 2021**

- (54) **WAX WARMER**
- (71) Applicant: **Jin Yu**, Guangdong (CN)
- (72) Inventor: **Jin Yu**, Guangdong (CN)
- (73) Assignee: **OUYEINC LTD.**, Brighton, CO (US)

- (51) **LOC (13) Cl.** 24-04
- (52) **U.S. Cl.**
USPC **D24/200**
- (58) **Field of Classification Search**
USPC D24/200
See application file for complete search history.

Reexamination Request:

No. 90/014,549, Aug. 4, 2020

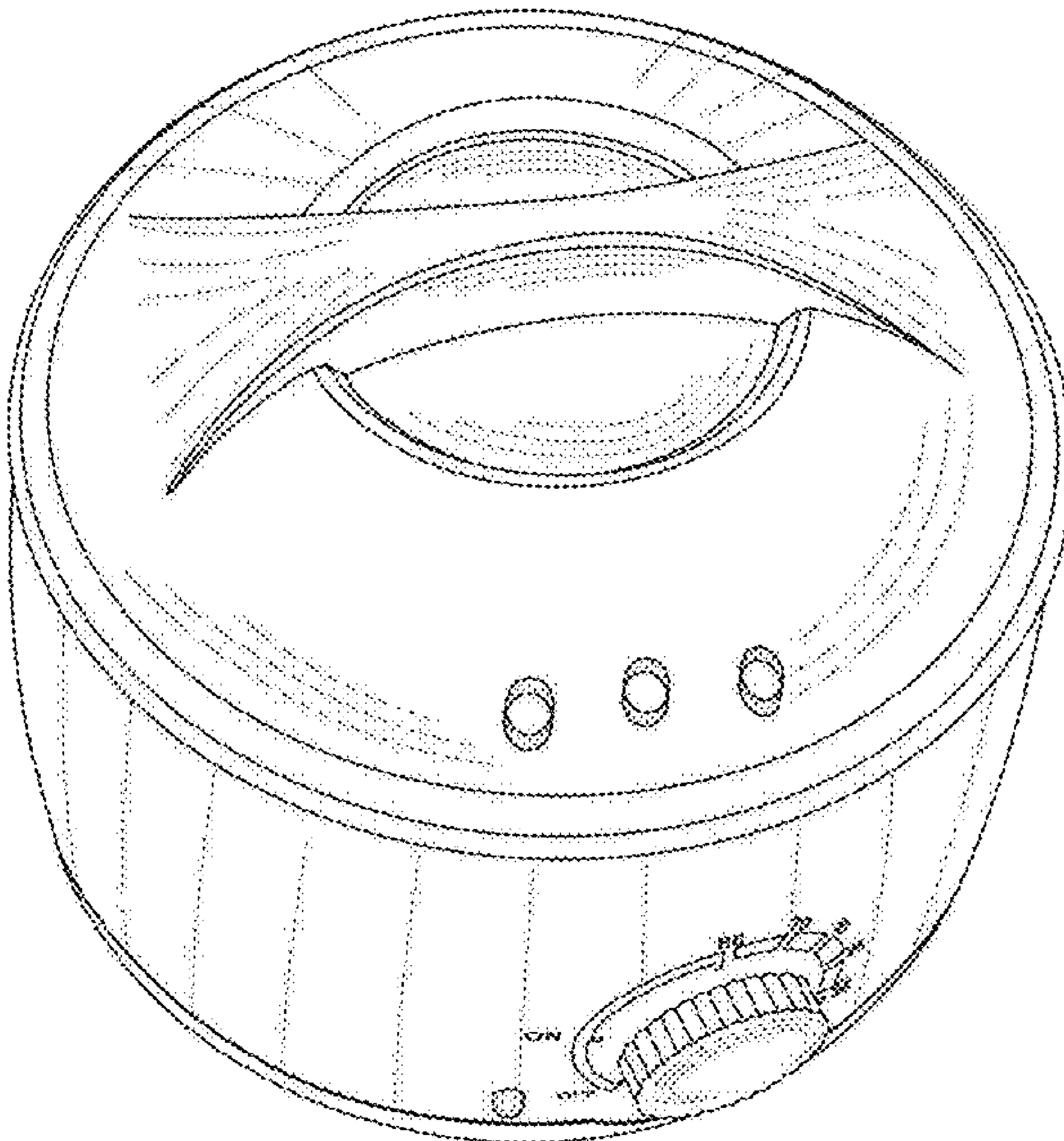
Reexamination Certificate for:

Patent No.: **Des. 838,859**
 Issued: **Jan. 22, 2019**
 Appl. No.: **29/618,205**
 Filed: **Sep. 20, 2017**

(56) **References Cited**

To view the complete listing of prior art documents cited during the proceeding for Reexamination Control Number 90/014,549, please refer to the USPTO's public Patent Application Information Retrieval (PAIR) system under the Display References tab.

Primary Examiner — Kevin K Rudzinski



1
EX PARTE
REEXAMINATION CERTIFICATE

THE PATENT IS HEREBY AMENDED AS
INDICATED BELOW.

5

AS A RESULT OF REEXAMINATION, IT HAS BEEN
DETERMINED THAT:

The single claim is cancelled.

10

* * * * *