



US00D838858S

(12) **United States Design Patent**  
**Hanneken**

(10) **Patent No.:** **US D838,858 S**

(45) **Date of Patent:** **\*\* Jan. 22, 2019**

(54) **PACIFIER SHIELD**

(71) Applicant: **Handi-Craft Company**, St. Louis, MO  
(US)

(72) Inventor: **Douglas Hanneken**, Saint Louis, MO  
(US)

(73) Assignee: **Handi-Craft Company**, St. Louis, MO  
(US)

(\*\*) Term: **15 Years**

(21) Appl. No.: **29/581,210**

(22) Filed: **Oct. 17, 2016**

(51) **LOC (11) Cl.** ..... **24-04**

(52) **U.S. Cl.**  
USPC ..... **D24/194**

(58) **Field of Classification Search**  
USPC ..... D24/117, 193, 194, 195, 196, 199  
CPC ..... A61J 17/001; A61J 17/02  
See application file for complete search history.

(56) **References Cited**

**U.S. PATENT DOCUMENTS**

- 4,852,569 A 8/1989 Sanders
- D318,530 S 7/1991 Marriott
- D340,525 S \* 10/1993 Rohrig ..... D24/194
- D393,074 S \* 3/1998 Fields ..... D24/194
- D430,675 S \* 9/2000 Roehrig ..... D24/194
- 6,517,567 B2 \* 2/2003 Bass, Jr. .... A61J 17/001
- 6,767,357 B2 \* 7/2004 Uehara ..... A61J 17/001
- 606/234
- 606/235
- D541,422 S \* 4/2007 Pils ..... D24/194
- D548,847 S \* 8/2007 Dunn ..... D24/194
- 7,294,141 B2 11/2007 Bergersen
- D572,368 S 7/2008 Kliegman
- D599,026 S \* 8/2009 Cudworth ..... D24/194
- D609,816 S \* 2/2010 Roehrig ..... D24/194
- D626,653 S \* 11/2010 Roehrig ..... D24/194
- D636,496 S \* 4/2011 Roehrig ..... D24/194

- D636,884 S \* 4/2011 Roehrig ..... D24/194
- D656,619 S \* 3/2012 Valderrama ..... D24/194
- D659,253 S \* 5/2012 Valderrama ..... D24/194
- D662,600 S 6/2012 Rhodes, II
- 8,192,464 B2 \* 6/2012 Hakim ..... A61J 11/0055
- 215/11.1
- D674,496 S \* 1/2013 Roehrig ..... D24/194

(Continued)

**FOREIGN PATENT DOCUMENTS**

WO 2018052347 A1 3/2018

**OTHER PUBLICATIONS**

“Philips AVENT Freeflow Pacifier.” Found online Sep. 25, 2018 at [www.amazon.com](https://www.amazon.com/Philips-AVENT-Freeflow-Pacifier-Months/dp/B00PF841E1). Page dated Nov. 9, 2015. Retrieved from URL: <https://www.amazon.com/Philips-AVENT-Freeflow-Pacifier-Months/dp/B00PF841E1> (Year: 2015).\*

(Continued)

*Primary Examiner* — Garth Rademaker  
*Assistant Examiner* — Katelin G Kloberg  
(74) *Attorney, Agent, or Firm* — Armstrong Teasdale LLP

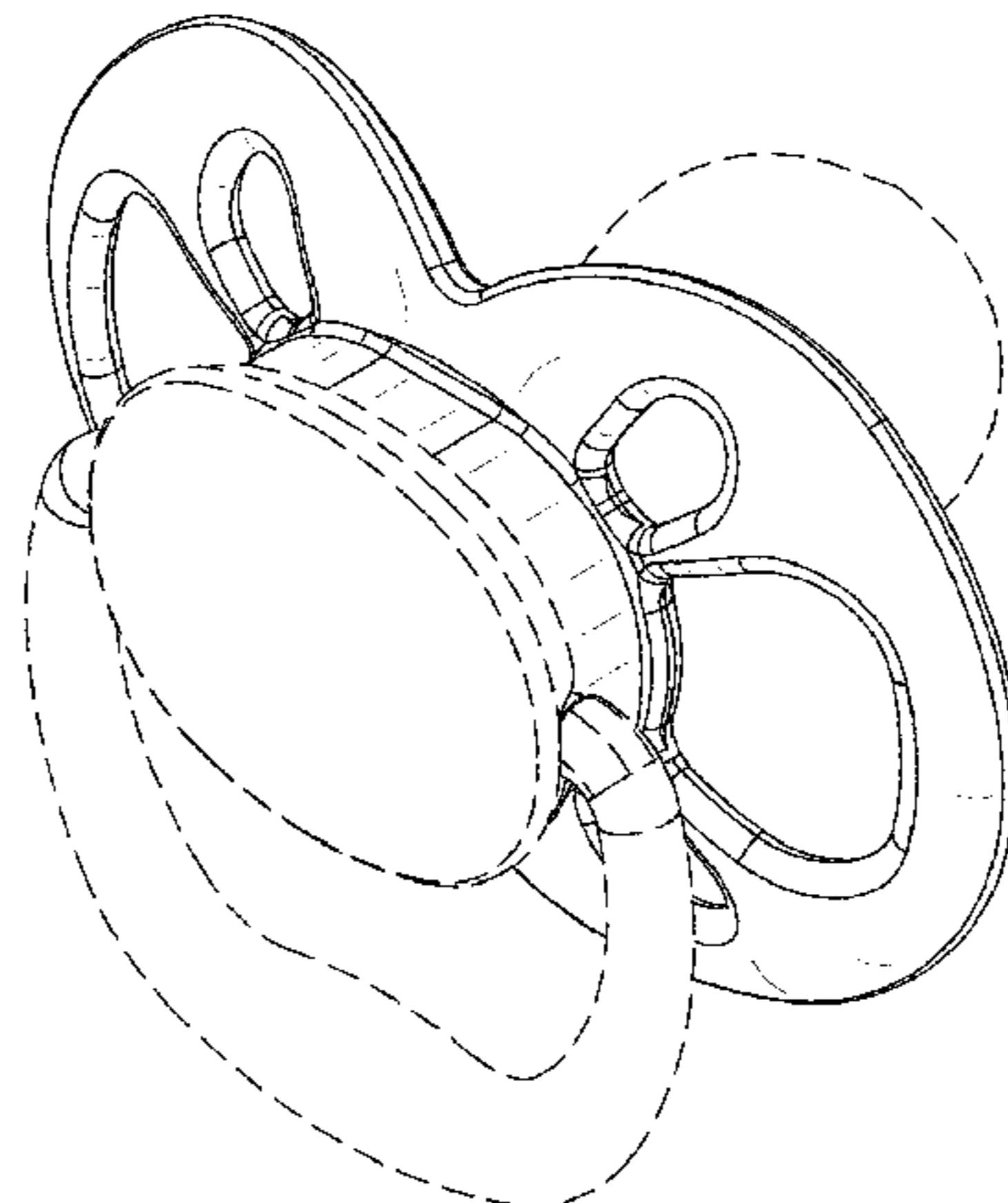
(57) **CLAIM**

The ornamental design for a pacifier shield, as shown and described.

**DESCRIPTION**

FIG. 1 is a perspective view of a pacifier shield of my new design;  
FIG. 2 is a front elevation thereof;  
FIG. 3 is a rear elevation thereof;  
FIG. 4 is a right side elevation thereof;  
FIG. 5 is a left side elevation thereof;  
FIG. 6 is a top plan view thereof; and,  
FIG. 7 is a bottom plan view thereof.  
The broken lines in the drawings represent environmental subject matter that forms no part of the claimed design.

**1 Claim, 7 Drawing Sheets**



(56)

**References Cited**

## U.S. PATENT DOCUMENTS

D686,331	S *	7/2013	Dussere	.....	D24/194
8,696,705	B2	4/2014	Hakim		
9,028,531	B2	5/2015	Rohrig		
D739,032	S *	9/2015	Recht	.....	D24/194
9,308,152	B2	4/2016	Tesini		
2003/0163162	A1	8/2003	Uehara		
2007/0049972	A1 *	3/2007	Jones	.....	G08B 21/24 606/234
2009/0312796	A1	12/2009	Itzek		
2011/0130790	A1 *	6/2011	Hezari	.....	A61J 17/001 606/234
2011/0184460	A1	7/2011	Hakim		
2012/0265244	A1 *	10/2012	Valderrama	.....	A61L 2/07 606/234
2013/0042862	A1 *	2/2013	Buch	.....	A61M 16/0666 128/202.16
2014/0188168	A1	7/2014	Hakim		

## OTHER PUBLICATIONS

“Dr. Brown’s Perform Orthodontic Pacifiers.” Found online Sep. 25, 2018 at [www.amazon.com](http://www.amazon.com). Page dated Aug. 8, 2013. Retrieved from URL: <https://www.amazon.com/Dr-Browns-Perform-Orthodontic-Pacifiers/dp/B005HCNJPY> (Year: 2013).\*

“NYT—Sucking Your Child’s Pacifier Clean May Have Benefits.” Found online Sep. 25, 2018 at [well.blogs.nytimes.com](http://well.blogs.nytimes.com). Page dated May 6, 2013. Retrieved from URL: <https://well.blogs.nytimes.com/2013/05/06/why-dirty-pacifiers-may-be-your-childs-friend/> (Year: 2013).\*

“YouTube—Musical Pacifier.” Found online Sep. 25, 2018 at [www.youtube.com](http://www.youtube.com). Video published Oct. 14, 2011. Retrieved from URL: <https://www.youtube.com/watch?v=HoMlapTiVuY> (Year: 2011).\*

\* cited by examiner

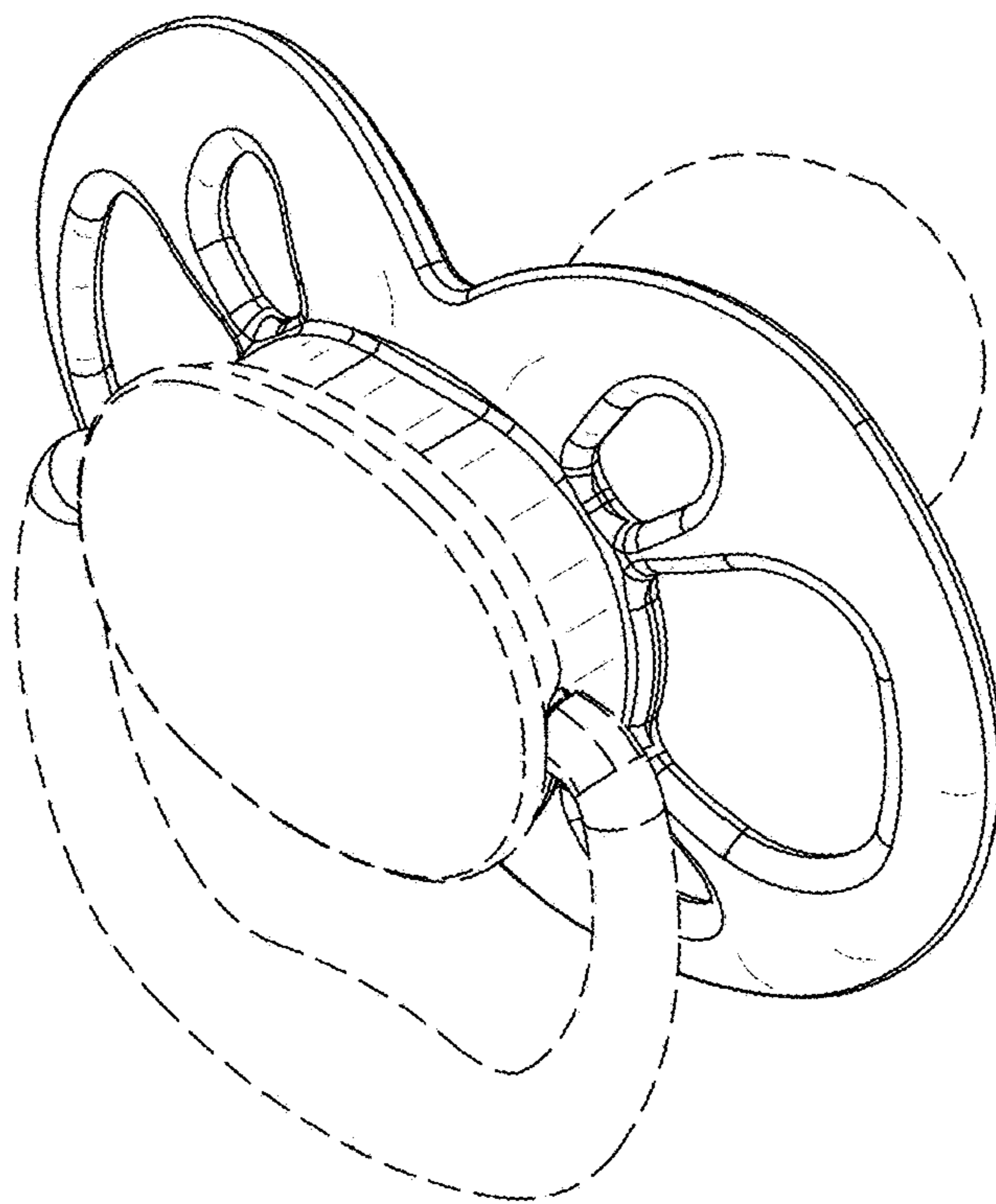


FIG. 1

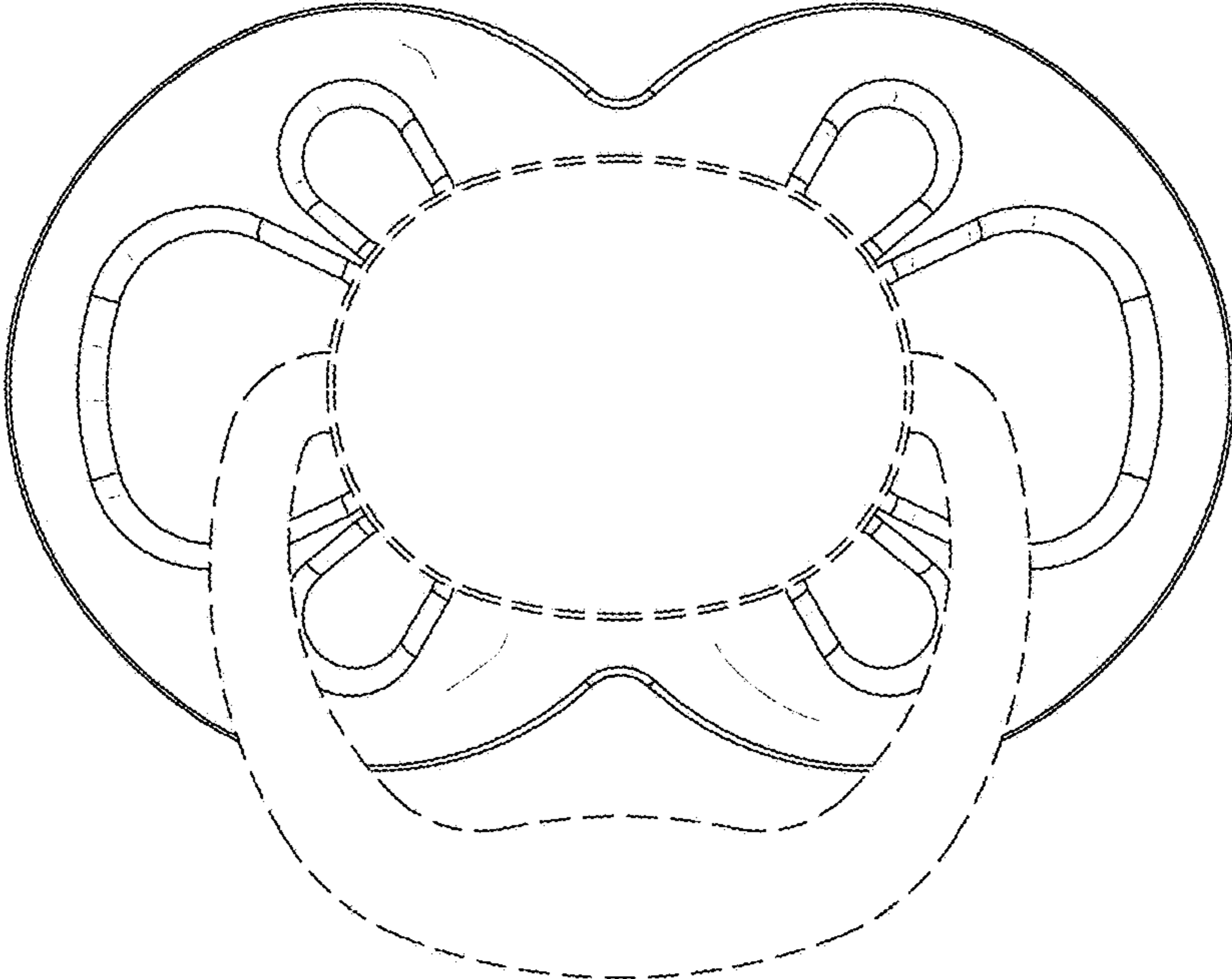


FIG. 2

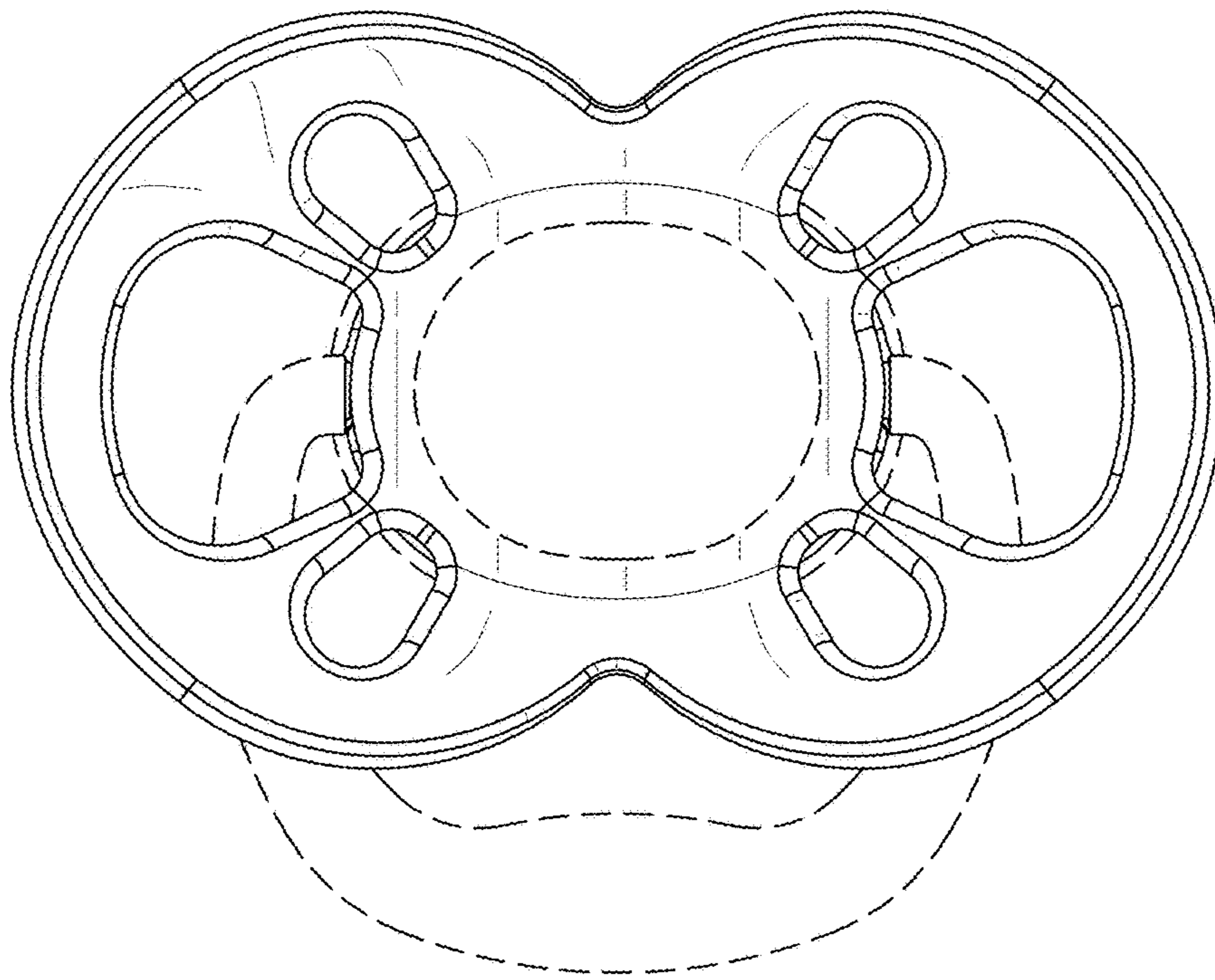


FIG. 3

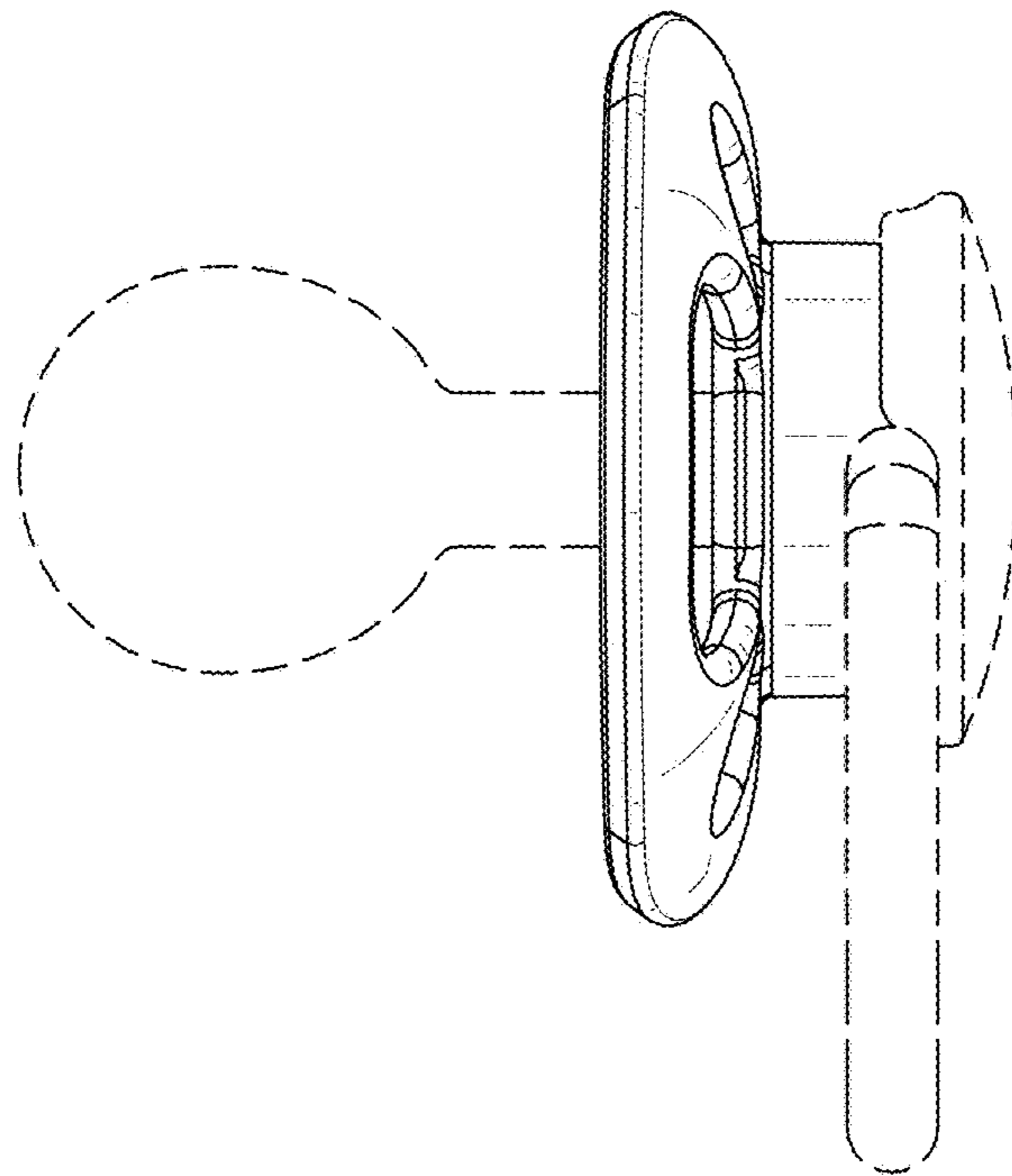


FIG. 4

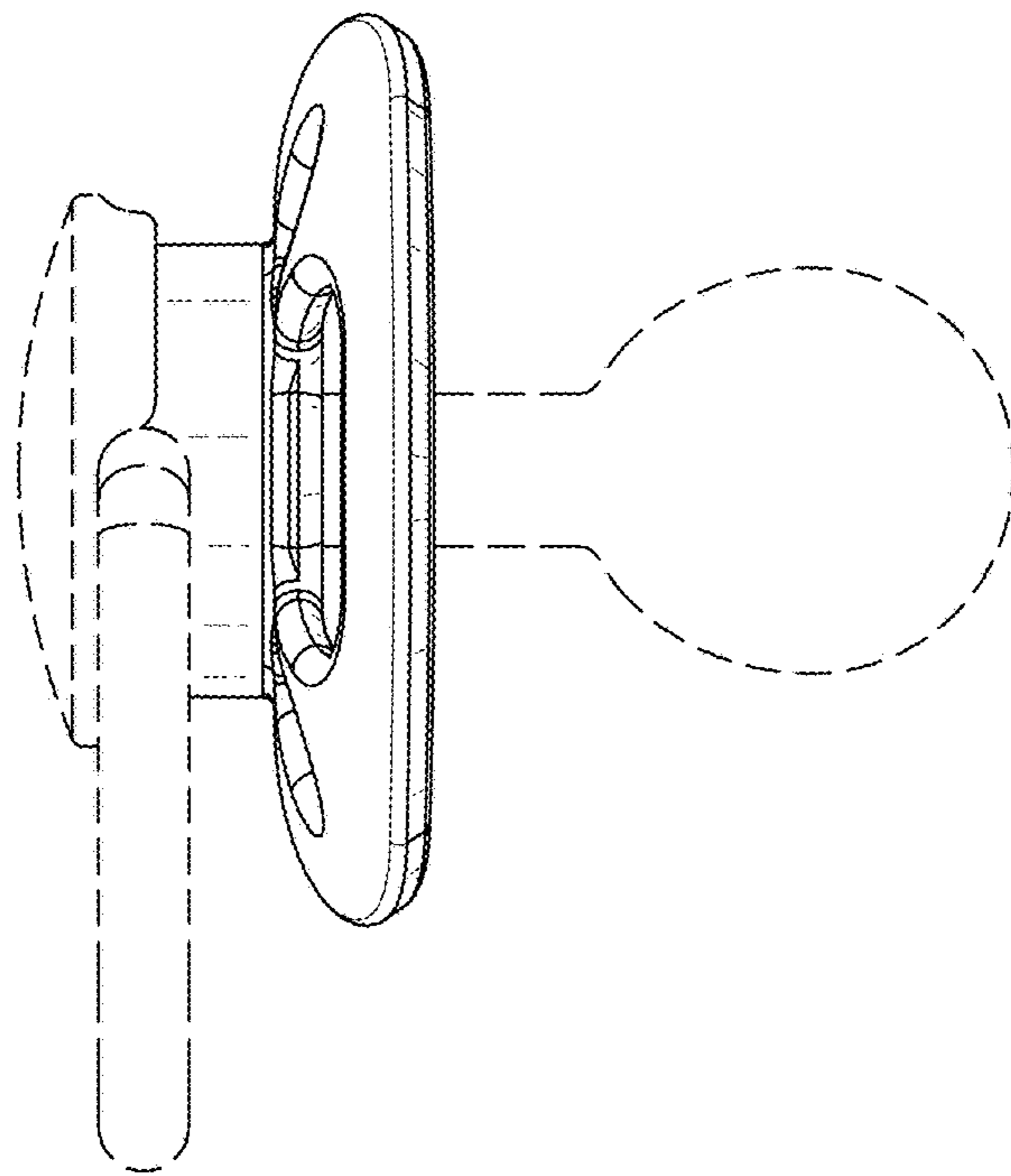


FIG. 5

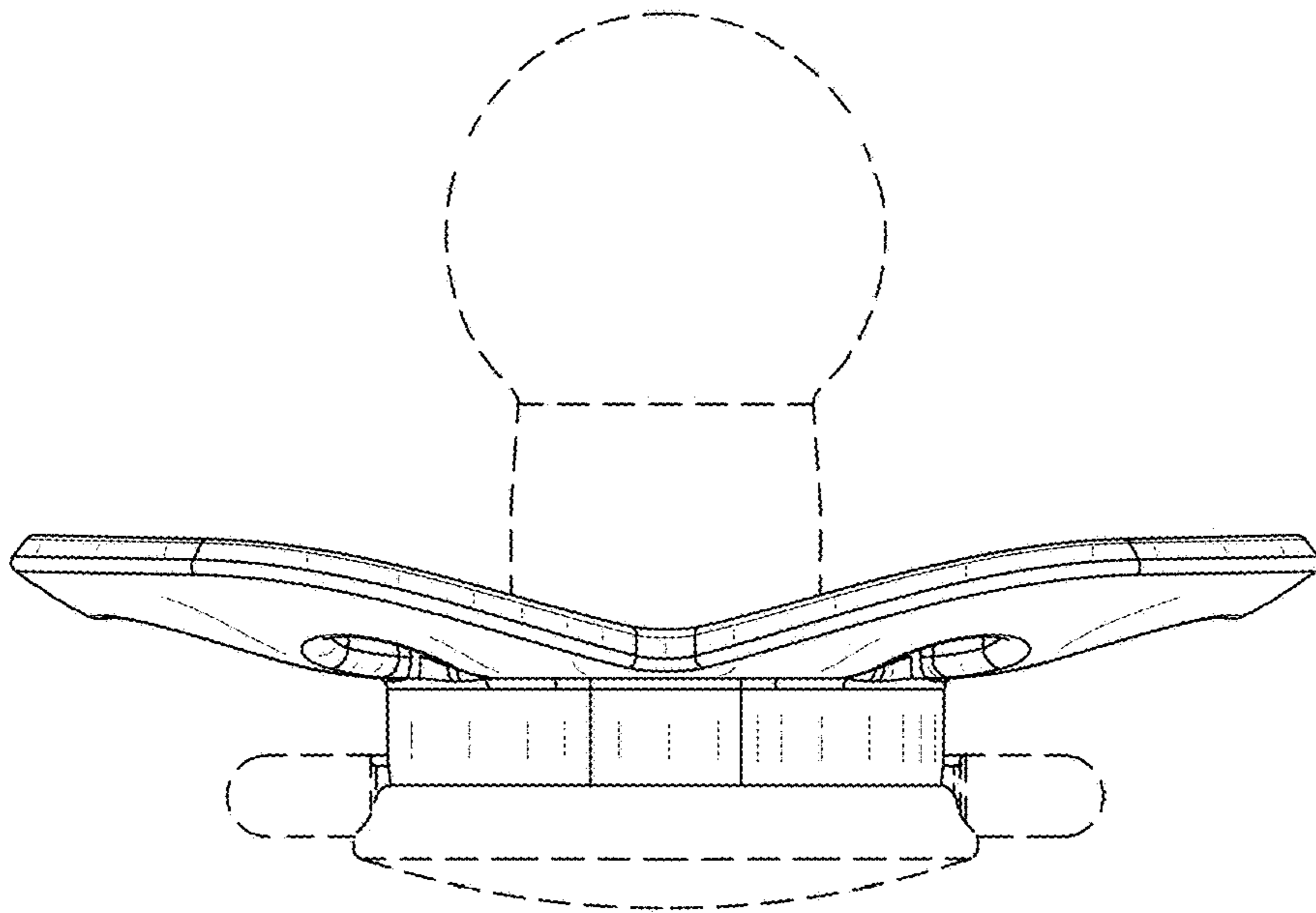


FIG. 6



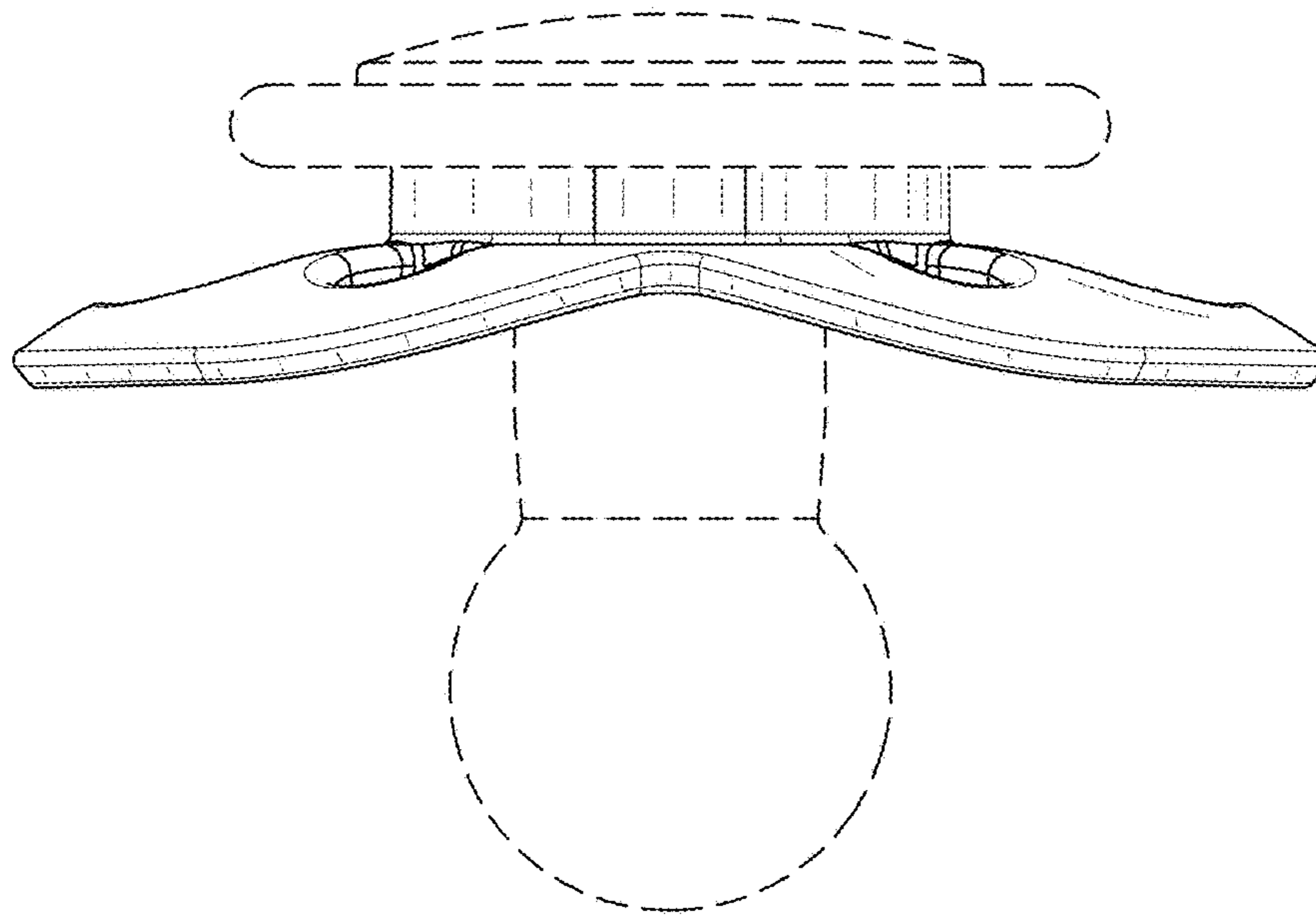


FIG. 7