



US00D838857S

(12) **United States Design Patent**  
**Blackwell**

(10) **Patent No.:** **US D838,857 S**  
(45) **Date of Patent:** **\*\* Jan. 22, 2019**

(54) **ARM HOLDER FOR OPERATING TABLE**

OTHER PUBLICATIONS

(71) Applicant: **INNOVATIVE MEDICAL SYSTEMS, INC.**, Plainville, CT (US)

“TrenMAX Armboard Extension”. Found online Oct. 26, 2018 at [impmmedical.com](http://www.impmmedical.com). Page dated Jun. 2017. Retrieved from <http://www.innovativemedical.com/pdf/TrenMAX%20Armboard%20IFU.pdf>.\*

(72) Inventor: **Tim Blackwell**, Plainville, CT (US)

(Continued)

(73) Assignee: **Innovative Medical Products, Inc.**, Plainville, CT (US)

*Primary Examiner* — George D. Kirschbaum  
*Assistant Examiner* — Kendra Leslie Hamilton

(\*\*) Term: **15 Years**

(74) *Attorney, Agent, or Firm* — Damian Wasserbauer, Esq.; Wasserbauer Law LLC

(21) Appl. No.: **35/001,334**

(57) **CLAIM**

(22) Filed: **Mar. 12, 2017**

The ornamental design for an arm holder for operating table, as shown and described.

(80) **Hague Agreement Data**

**DESCRIPTION**

Int. Filing Date: **Mar. 12, 2017**

The patent or application file contains at least one drawing executed in color. Copies of this patent or patent application publication with color drawing(s) will be provided by the Office upon request and payment of the necessary fee.

Int. Reg. No.: **DM/099265**

Int. Reg. Date: **Mar. 12, 2017**

Int. Reg. Pub. Date: **Feb. 2, 2018**

(51) **LOC (11) Cl.** ..... **24-01**

(52) **U.S. Cl.**

USPC ..... **D24/184**

(58) **Field of Classification Search**

USPC ..... D24/107, 159, 171, 183, 184, 188, 191, D24/200; D29/100, 101, 102; D6/716.2, D6/716.5; D14/452, 460, 461

CPC ..... A61G 13/1235

See application file for complete search history.

(56) **References Cited**

**U.S. PATENT DOCUMENTS**

3,640,273 A \* 2/1972 Ray ..... A61F 5/05866  
128/877

4,476,857 A \* 10/1984 Levine ..... A61F 13/108  
473/214

D359,804 S \* 6/1995 Carter ..... D24/183

5,785,057 A 7/1998 Fischer

D419,540 S \* 1/2000 Salzman ..... D14/461

(Continued)

1.-3. Arm holders for operating table

1.1 : Perspective

1.2 : Front

1.3 : Back

1.4 : Top

1.5 : Bottom

1.6: left side view, the right side view being a mirror image thereof

2.0: perspective, shown in condition of use

3.1 : Perspective

3.2 : Front

3.3 : Back

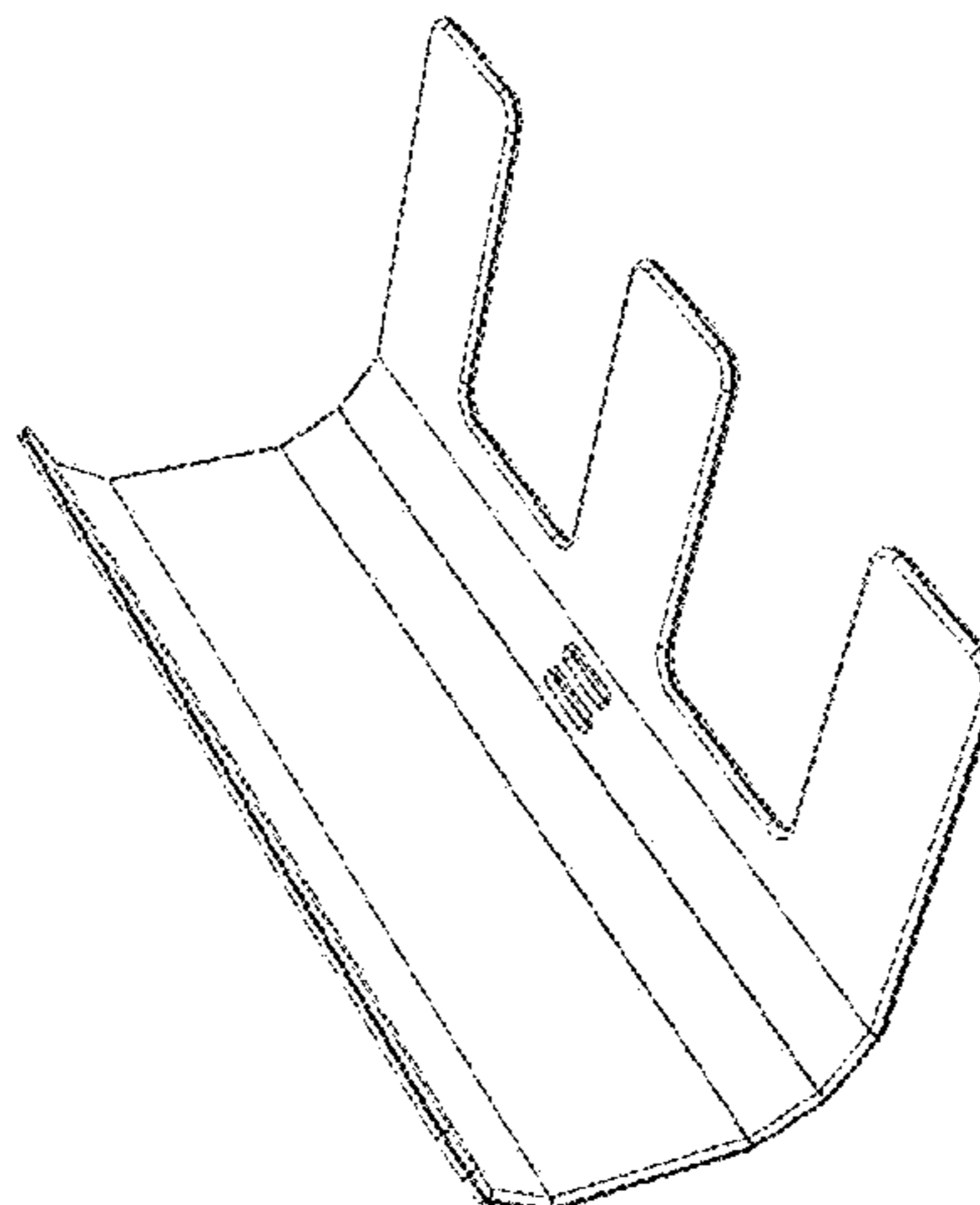
3.4 : Top

3.5 : Bottom

3.6: left side view, the right side view being a mirror image thereof

In Fig. 2.0, the representations of a body of a patient, a pad, and an operating table in grey form no part of the claimed design.

**1 Claim, 13 Drawing Sheets**  
**(1 of 13 Drawing Sheet(s) Filed in Color)**



(56)

References Cited

U.S. PATENT DOCUMENTS

6,101,650 A \* 8/2000 Omdal ..... A61G 13/1235  
128/878  
8,555,890 B2 10/2013 Hiebert  
8,601,623 B1 12/2013 West  
D702,841 S \* 4/2014 Wyrozub ..... D24/184  
D728,798 S \* 5/2015 Moon ..... D24/184  
9,149,406 B2 \* 10/2015 Allen ..... A61G 13/122  
D745,171 S \* 12/2015 Gomez ..... D24/184  
D797,945 S \* 9/2017 Kim ..... D24/184  
D813,398 S \* 3/2018 Barber ..... D24/183  
2014/0250601 A1 \* 9/2014 Gomez ..... A61G 13/1235  
5/623  
2016/0008199 A1 \* 1/2016 Neri ..... A61G 13/0036  
128/845

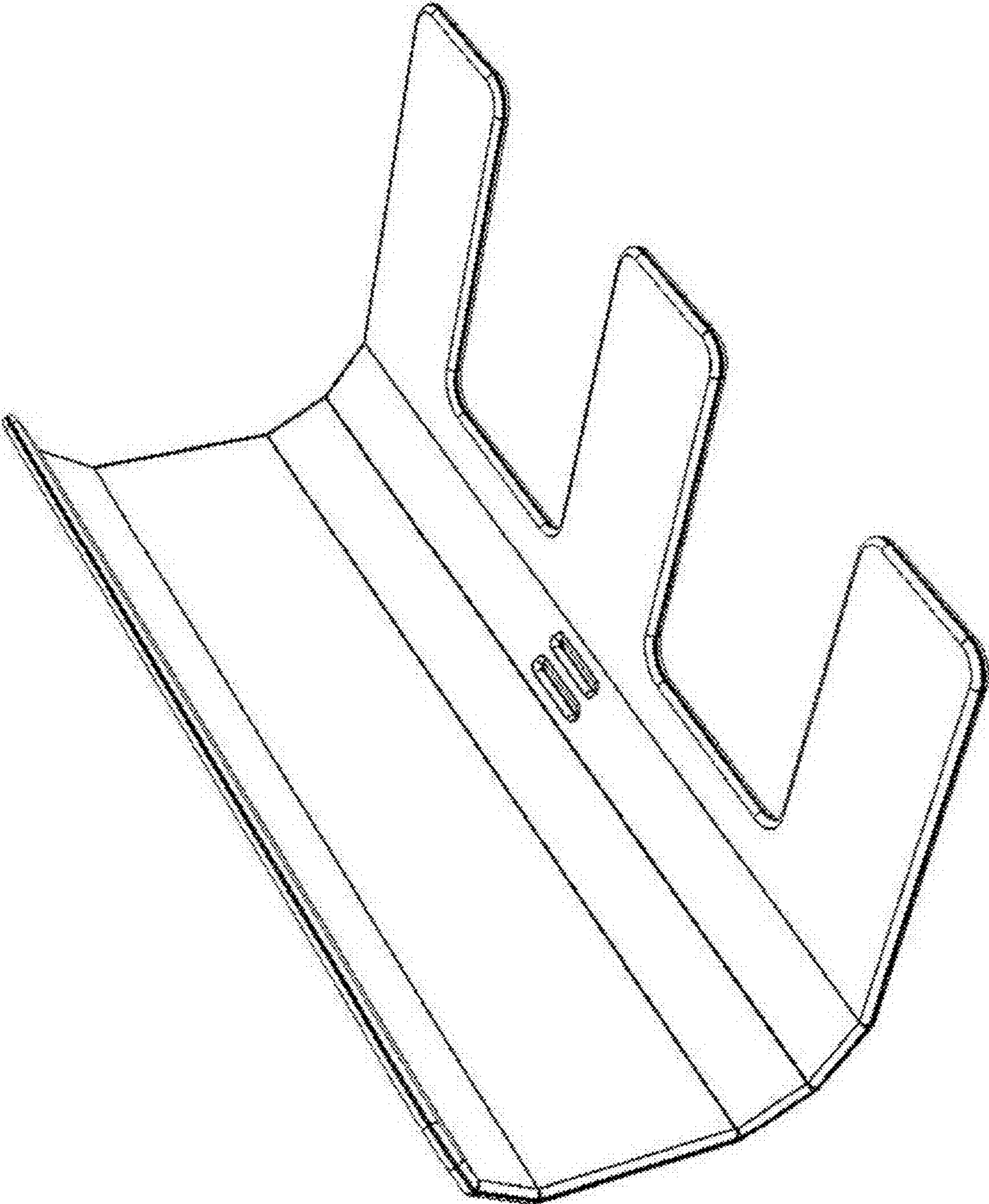
OTHER PUBLICATIONS

“David Scott Sled Style Rounded 17 Inch Arm Shield Pair”. Found online Nov. 6, 2018 at [global-medical-solutions.com](http://global-medical-solutions.com). Page dated Sep. 22, 2015. Retrieved from [https://web.archive.org/web/20150922022400/https://www.global-medical-solutions.com/David-Scott-Sled-Style-Rounded-17-Inch-Arm-Shield-Pair\\_p\\_6084.html](https://web.archive.org/web/20150922022400/https://www.global-medical-solutions.com/David-Scott-Sled-Style-Rounded-17-Inch-Arm-Shield-Pair_p_6084.html).\*

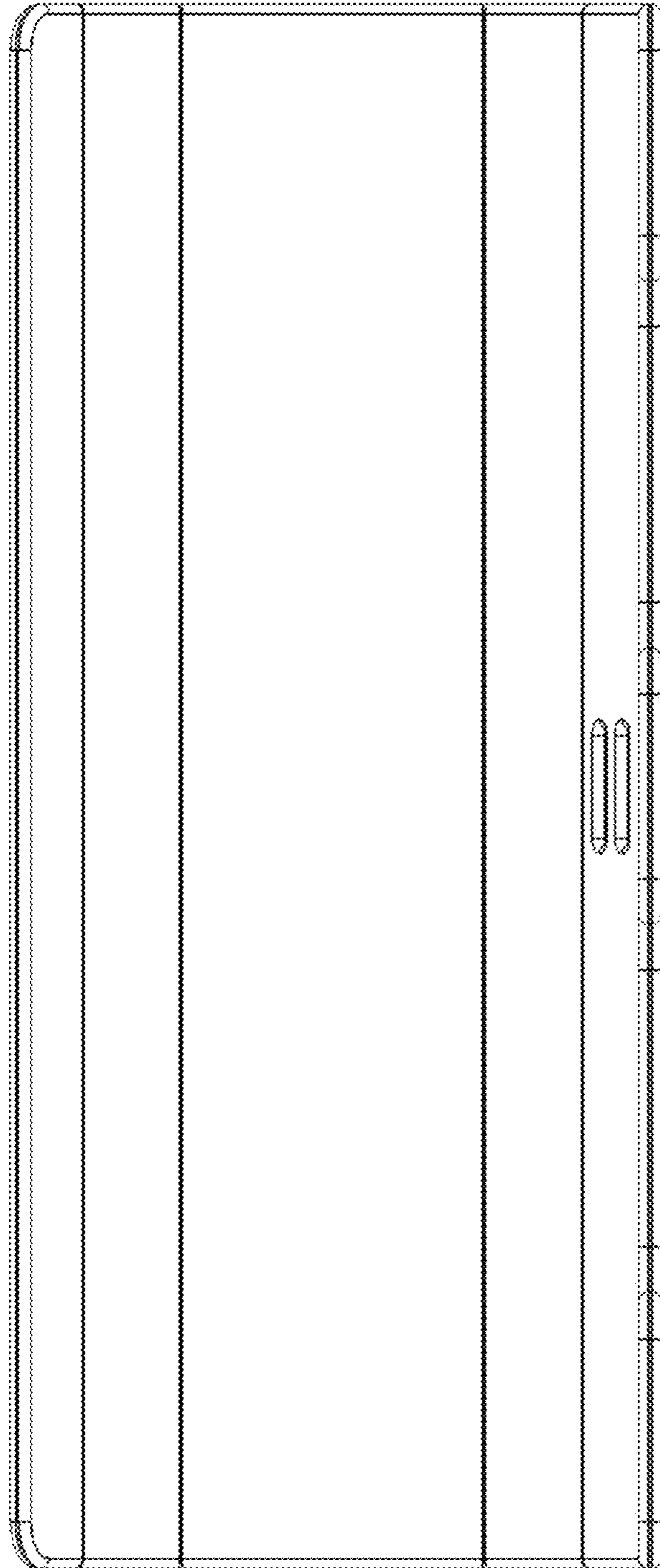
“ArmGRIP Operating Room Table Attachment”. Found online Nov. 6, 2018 at [sunmedica.com](http://sunmedica.com). Page dated Nov. 8, 2014. Retrieved from <https://web.archive.org/web/20141108162228/https://sunmedica.com/surgical-positioning-device/armgrip.php>.\*

\* cited by examiner

1.1

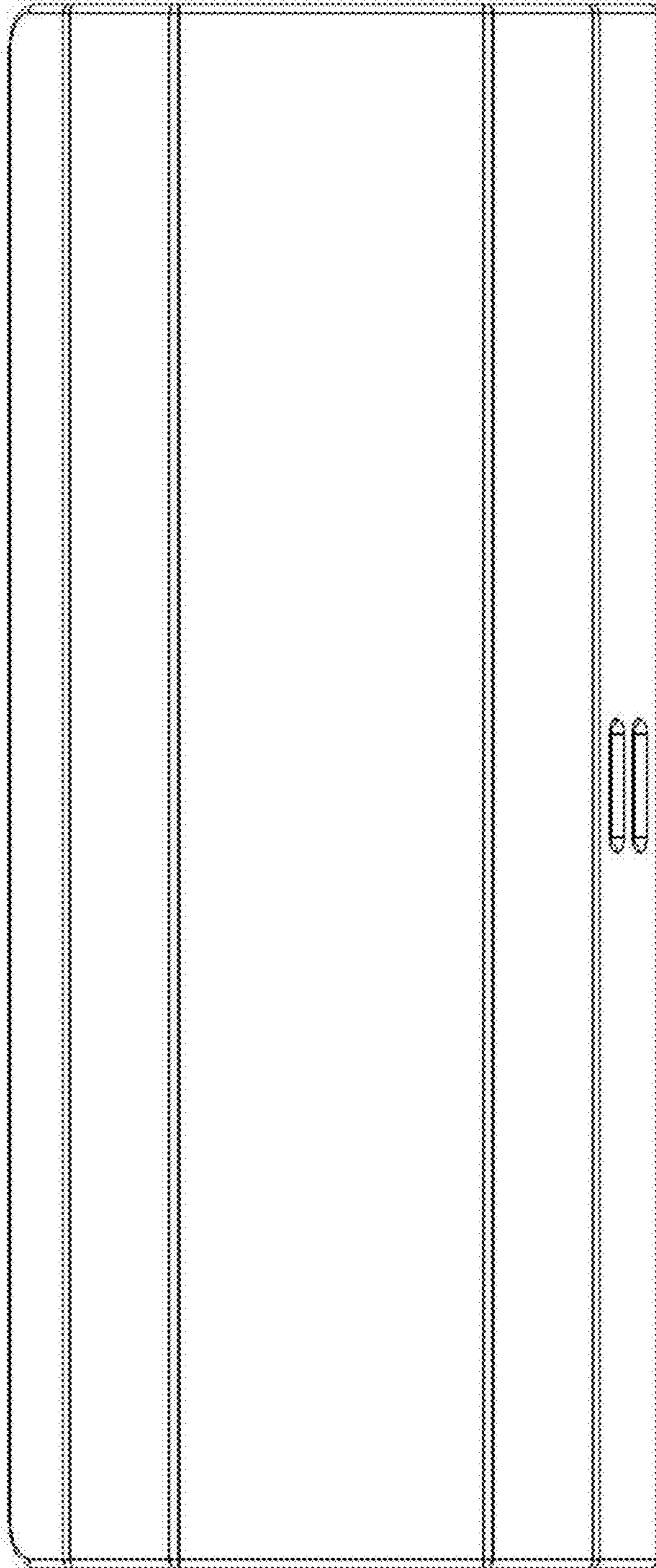


1.2

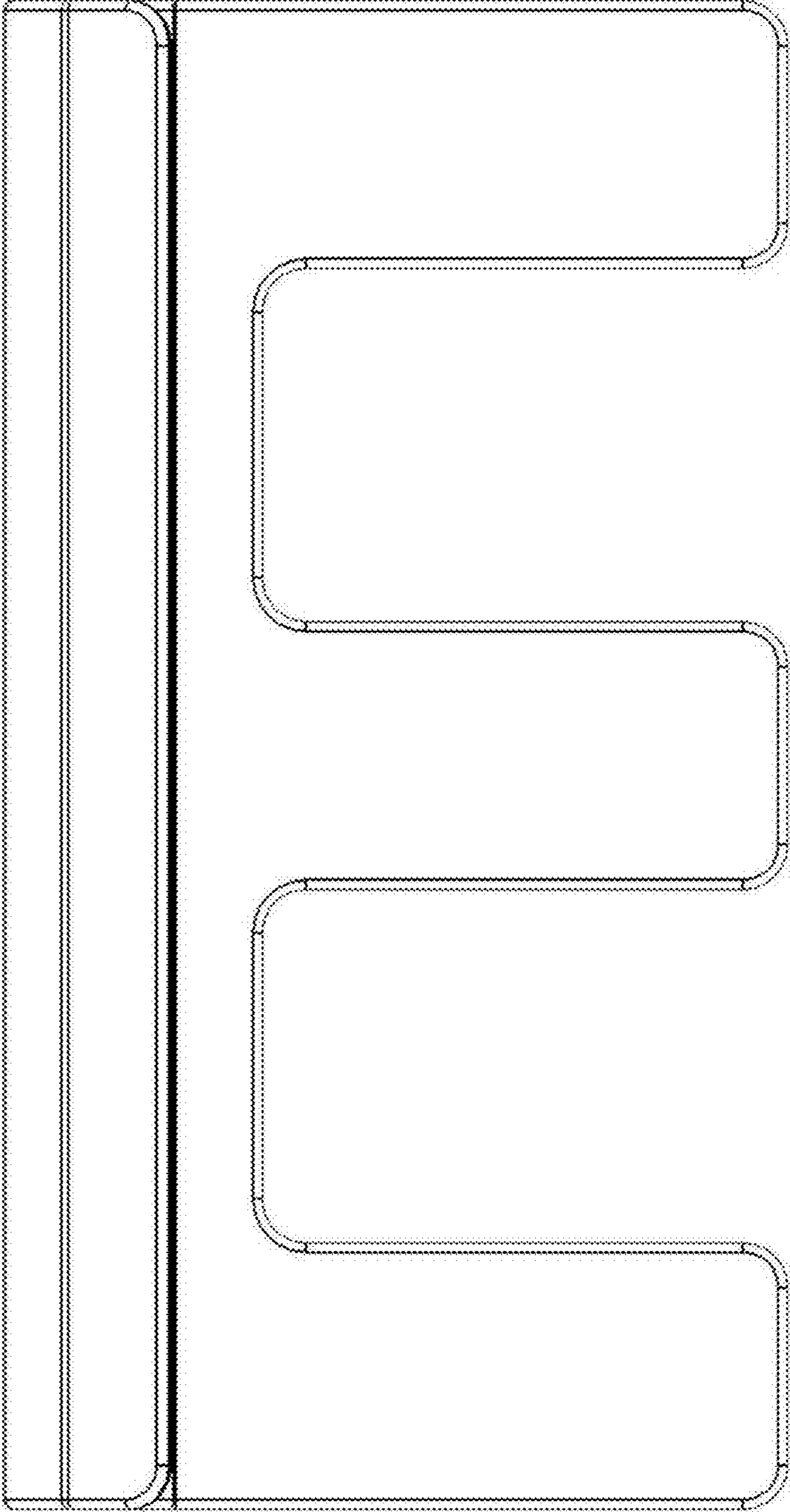




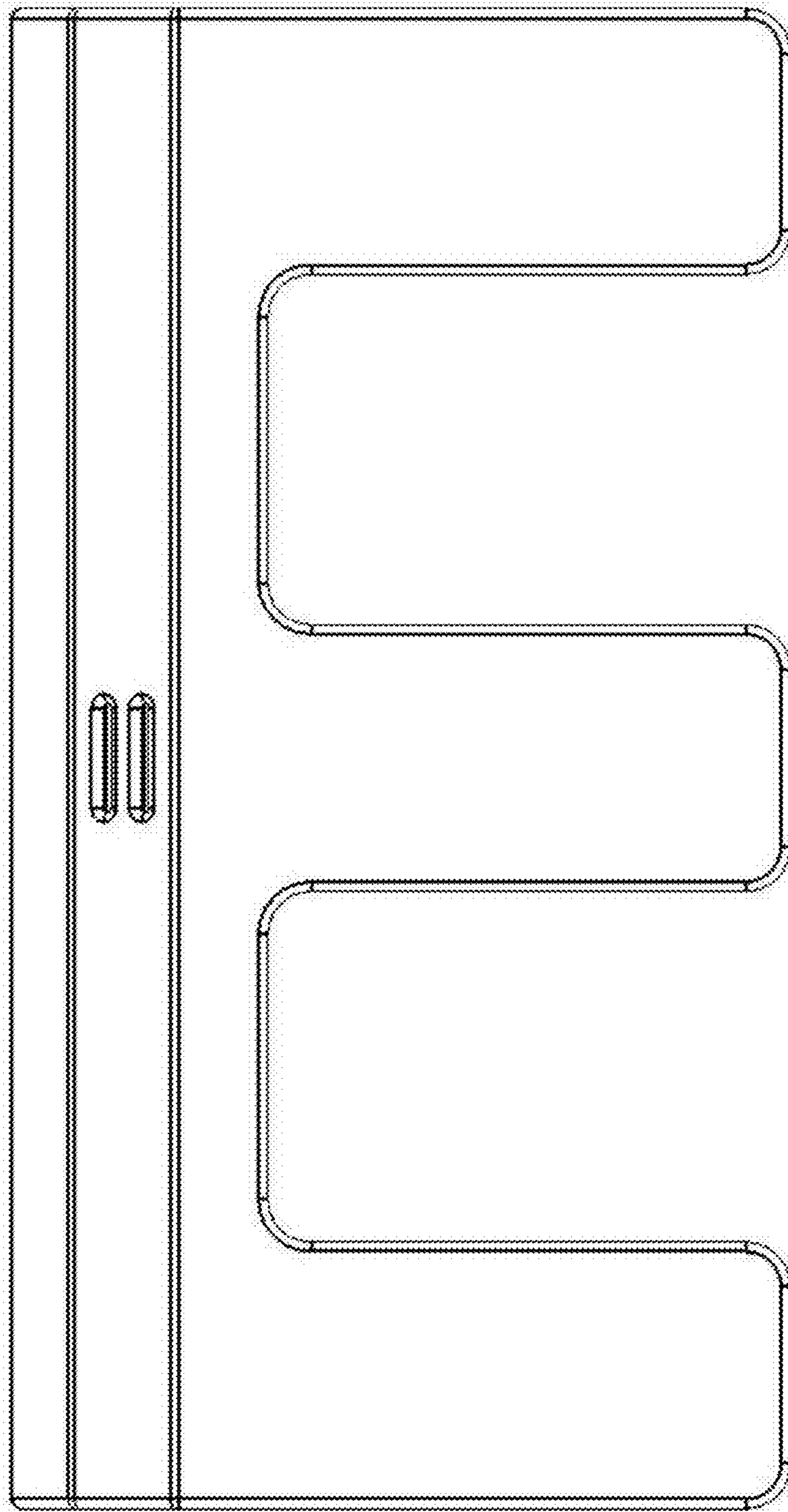
1.3



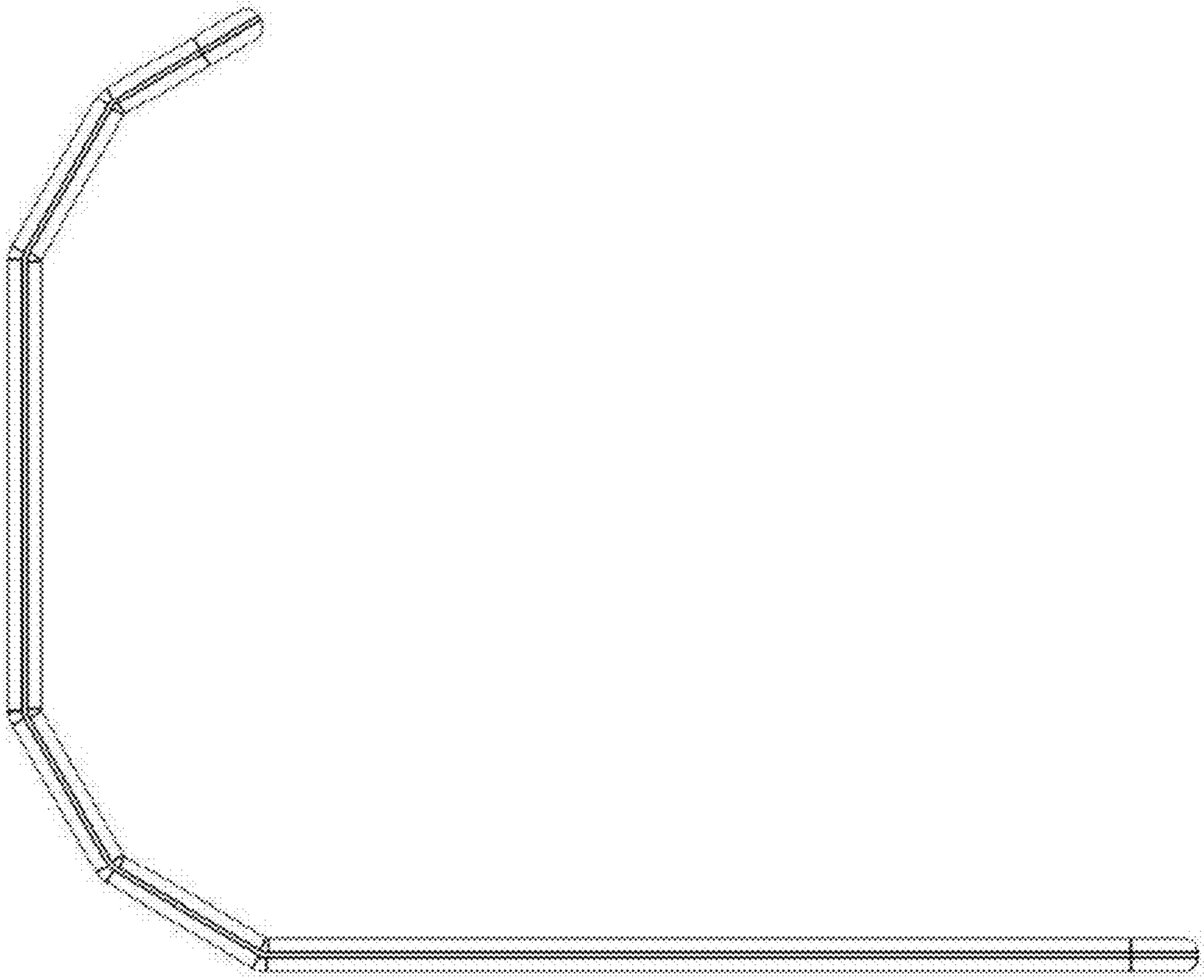
1.4



1.5

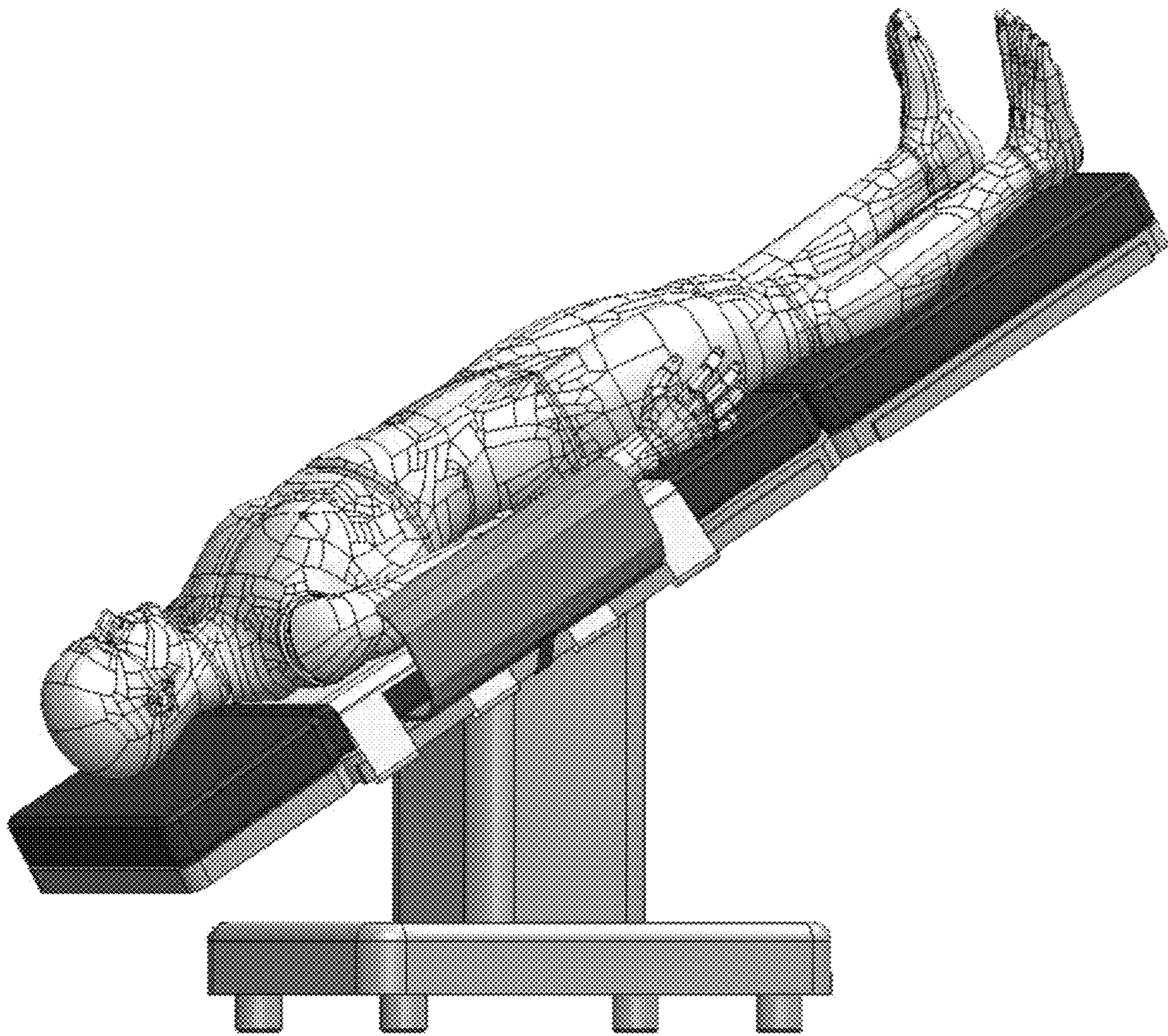


1.6



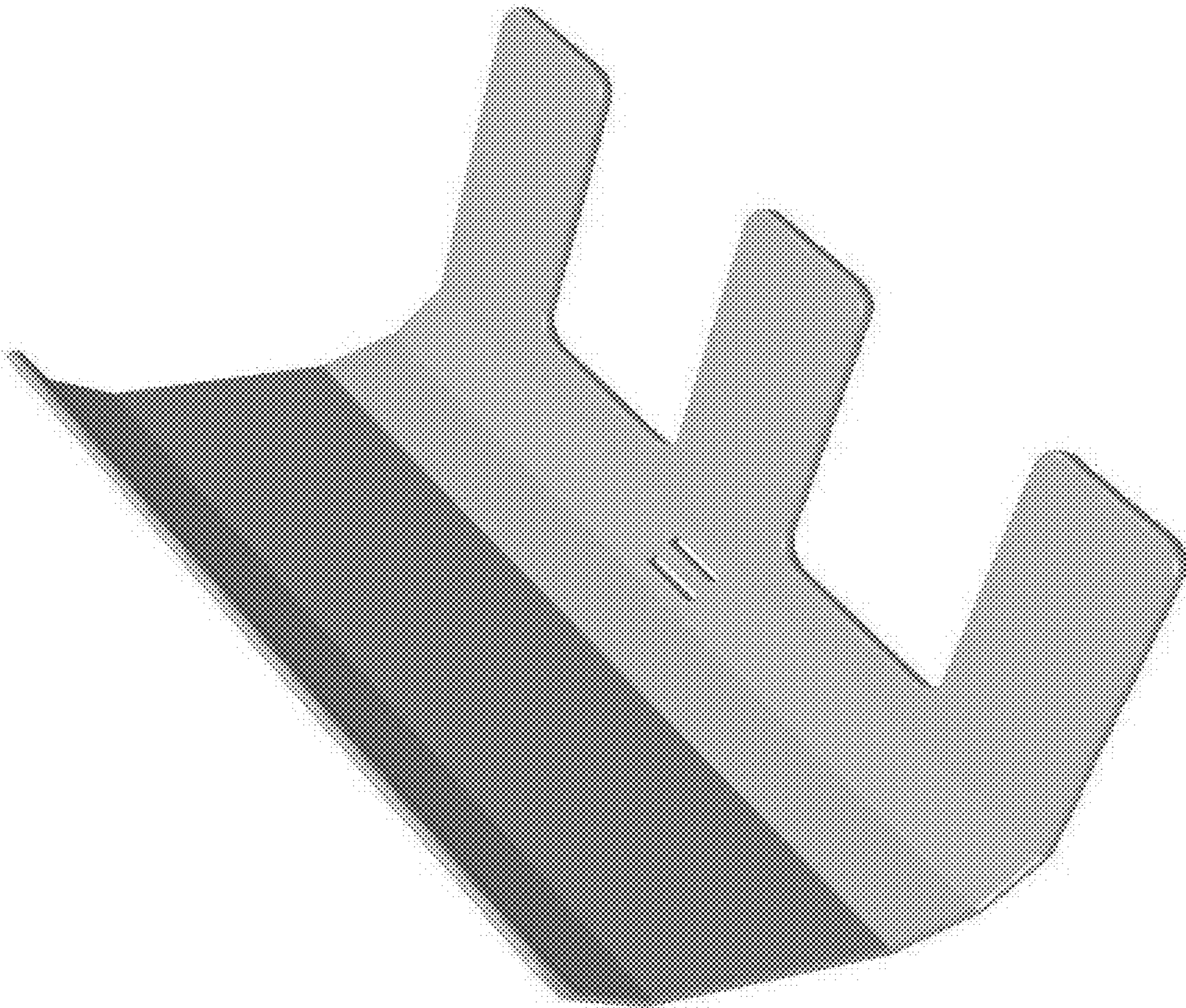


2.0



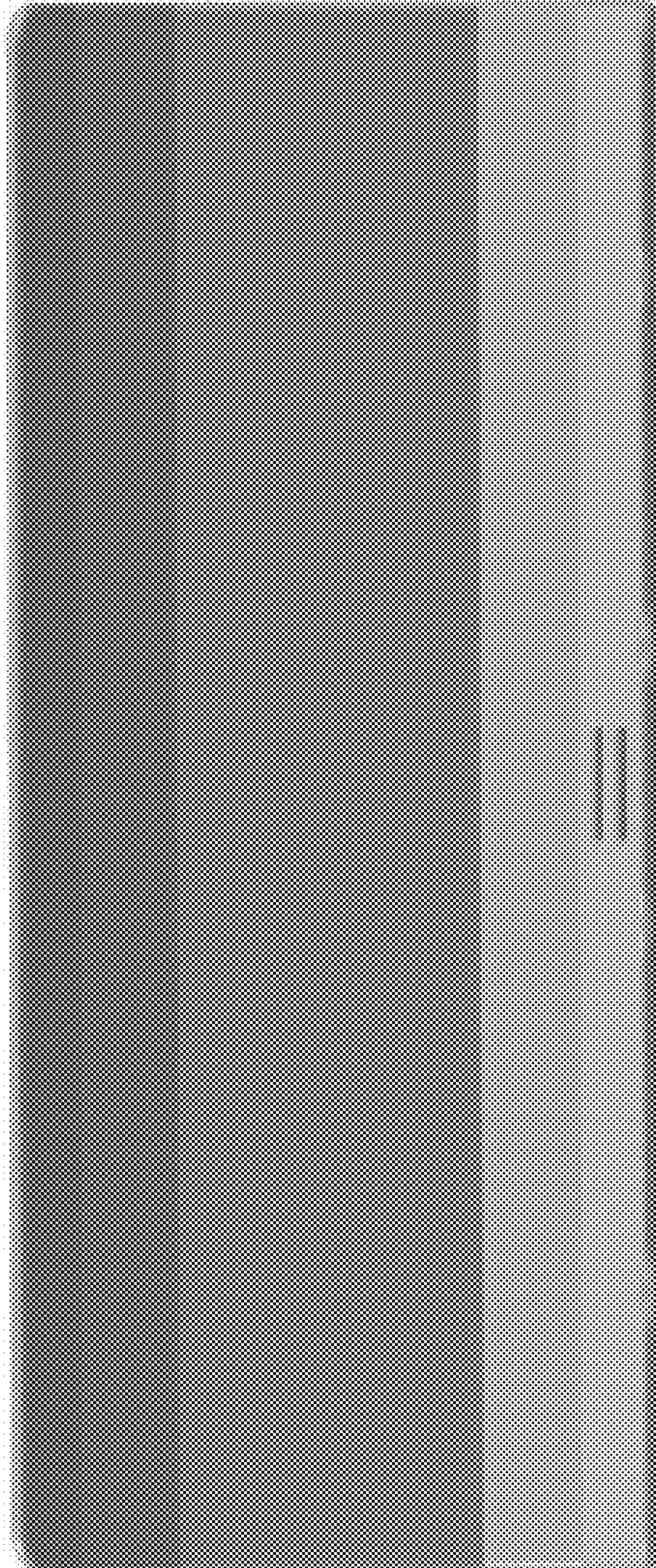


3.1



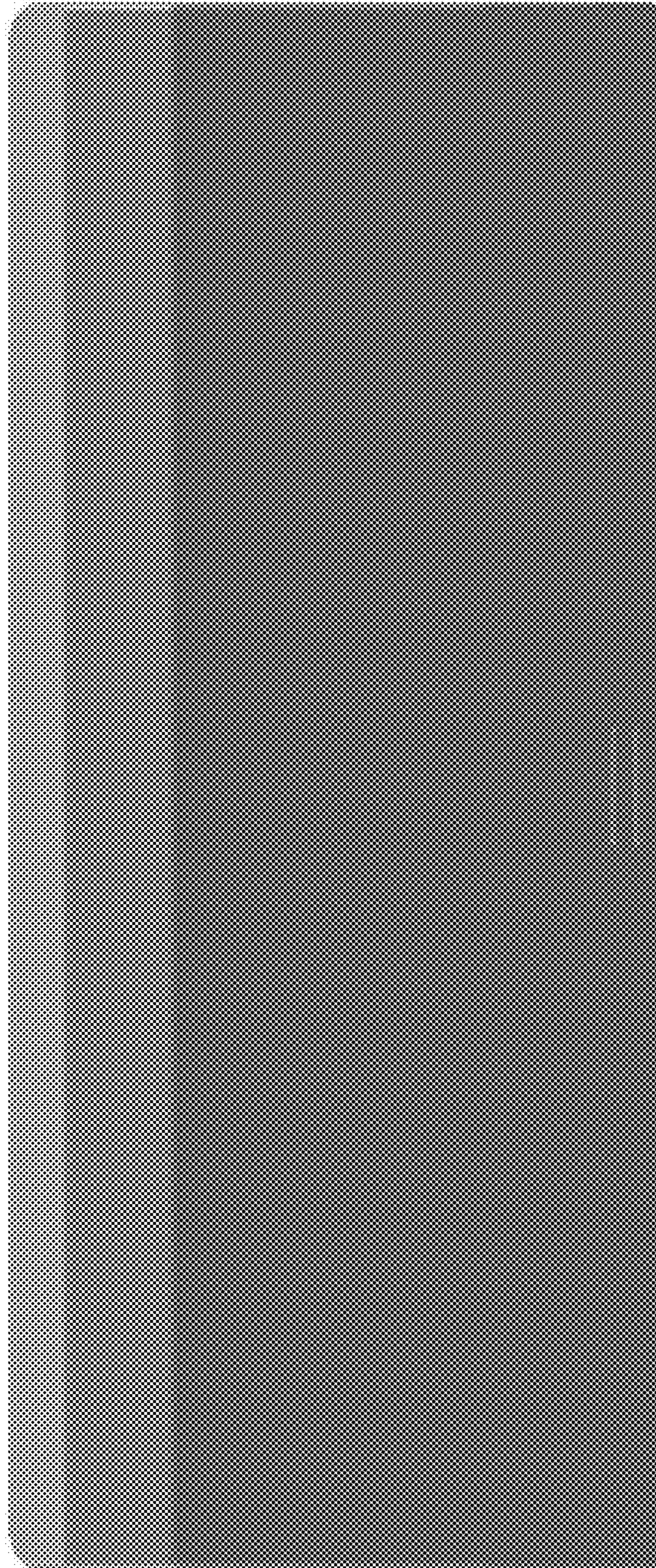


3.2



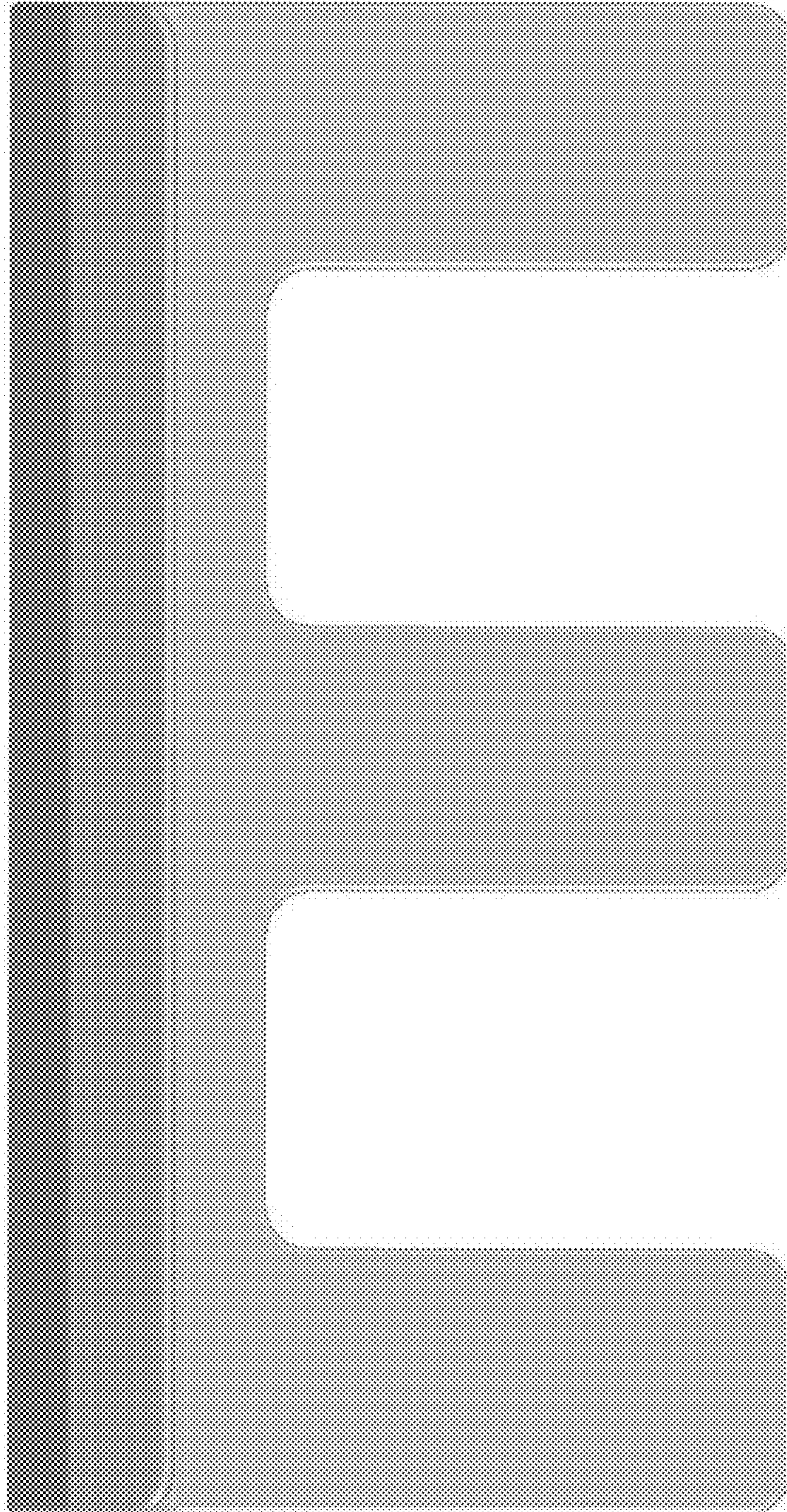


3.3



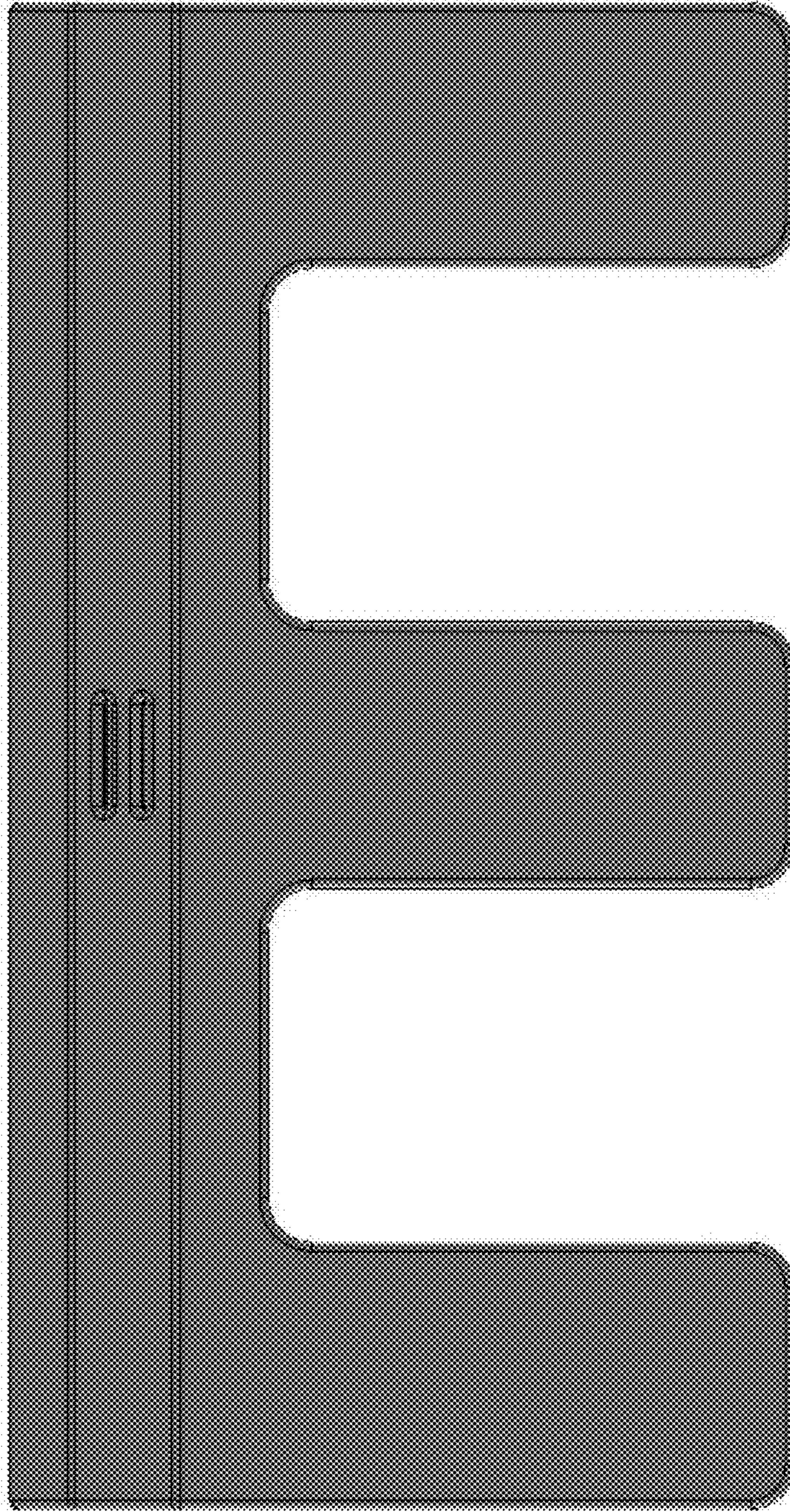


3.4





3.5



3.6

