



US00D838856S

(12) **United States Design Patent** (10) **Patent No.:** **US D838,856 S**
Frymark et al. (45) **Date of Patent:** **** Jan. 22, 2019**

(54) **DENTAL MATRIX RING**
(71) Applicant: **Young Microbrush, LLC**, Grafton, WI (US)

1,661,068 A 2/1928 Gaillard
5,607,302 A 3/1997 Garrison et al.
6,206,697 B1 3/2001 Hugo
(Continued)

(72) Inventors: **John Frymark**, Chicago, IL (US); **Eri Hino**, Chicago, IL (US); **Richard Gaggioli**, Greenfield, WI (US); **John Boos**, Grand Haven, MI (US); **Robert E. Kreutzer, Jr.**, Columbia, IL (US)

FOREIGN PATENT DOCUMENTS

DE 102013109487 A1 3/2015
FR 2820024 A1 8/2002

(73) Assignee: **YOUNG MICROBRUSH, LLC**, Grafton, WI (US)

OTHER PUBLICATIONS

Restriction Requirement dated Apr. 27, 2018 in U.S Appl. No. 15/463,232.

(**) Term: **15 Years**

(Continued)

(21) Appl. No.: **29/643,420**

Primary Examiner — Wan Laymon

(22) Filed: **Apr. 9, 2018**

(74) *Attorney, Agent, or Firm* — McDermott, Will & Emery LLP

Related U.S. Application Data

(62) Division of application No. 29/597,733, filed on Mar. 20, 2017, now Pat. No. Des. 823,473.

(51) **LOC (11) Cl.** **24-02**

(52) **U.S. Cl.**
USPC **D24/181**

(58) **Field of Classification Search**
USPC D24/107, 156, 176–182; 433/39
CPC A61C 5/82; A61C 5/85; A61C 5/80; A61C 5/88; A61C 5/00; A61C 5/30
See application file for complete search history.

(57) **CLAIM**

The ornamental design for a dental matrix ring, as shown and described.

DESCRIPTION

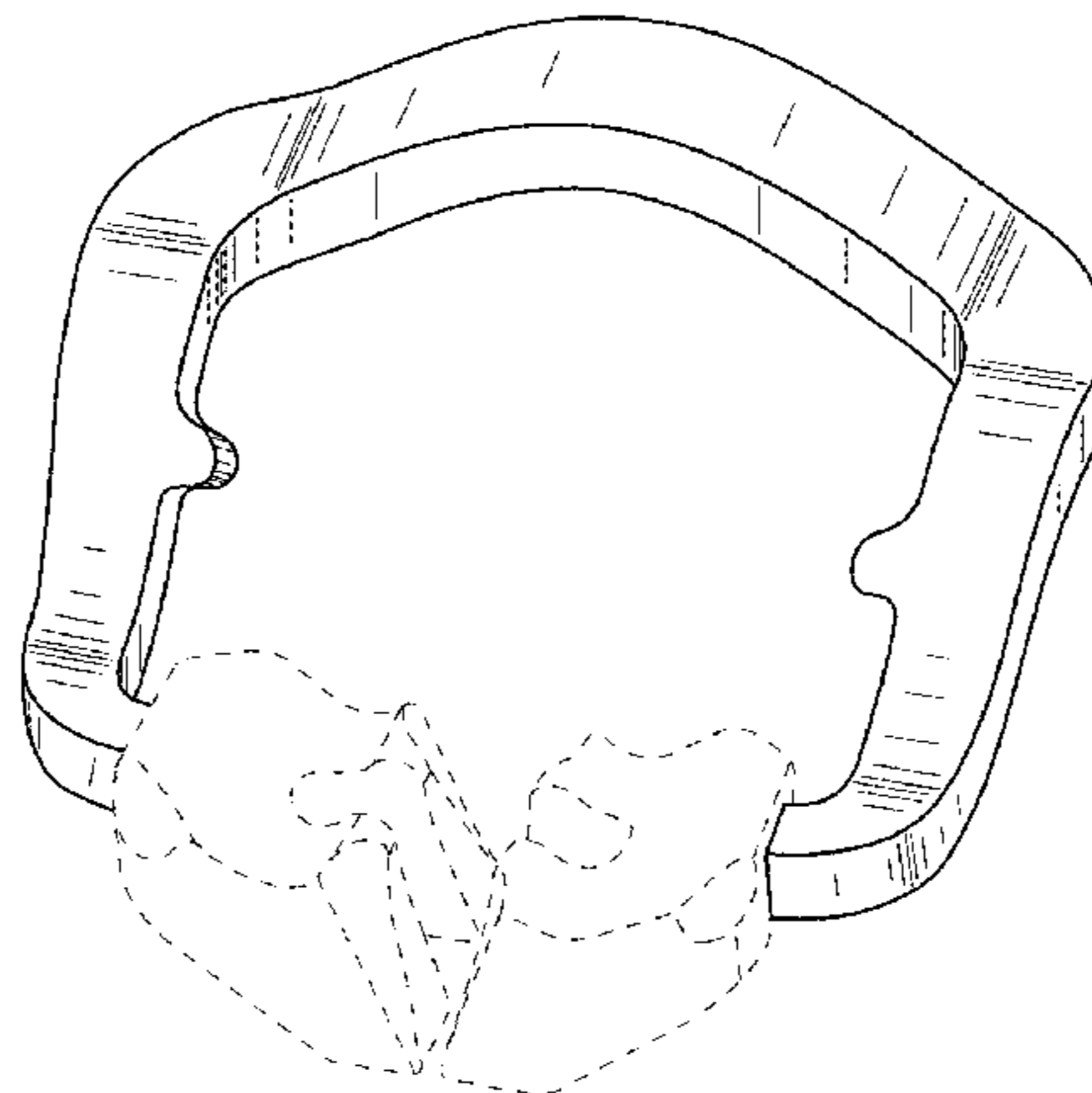
FIG. 1 is a top perspective view of a dental matrix ring of the present disclosure;
FIG. 2 is a top perspective view of the design depicted in FIG. 1;
FIG. 3 is a front view of the design depicted in FIG. 1;
FIG. 4 is a bottom view of the design depicted in FIG. 1;
FIG. 5 is a rear view of the design depicted in FIG. 1;
FIG. 6 is a right side view of the design depicted in FIG. 1; and,
FIG. 7 is a left side view of the design depicted in 1.
Those portions of the present invention which are presented in phantom illustrate the environment of the design only and form no part of the claimed design. Moreover, the shading presented in the accompanying drawings is provided merely to highlight the contour of the invention and is not intended to be illustrative of texture or gloss.

(56) **References Cited**

U.S. PATENT DOCUMENTS

396,537 A 1/1889 Browne
427,338 A 5/1890 Marshall
532,723 A 1/1895 Dennis
625,888 A 5/1899 Leonard
719,834 A 2/1903 Mills
1,358,300 A 11/1920 Dailey

1 Claim, 4 Drawing Sheets



(56)

References Cited

U.S. PATENT DOCUMENTS

6,325,625	B1	12/2001	Meyer	
6,336,810	B1	1/2002	Bertoletti	
6,589,053	B2	7/2003	Bills	
6,712,608	B2	3/2004	Bills	
6,981,870	B2	1/2006	Heasley	
7,077,651	B2 *	7/2006	Anderson	A61C 5/82 433/139
7,175,432	B2	2/2007	McDonald	
7,214,058	B2	5/2007	Summer	
7,284,983	B2 *	10/2007	McDonald	A61C 5/85 433/139
D604,854	S	11/2009	McDonald	
8,029,281	B2 *	10/2011	Ho	A61C 5/88 433/148
8,070,490	B1	12/2011	Roetzer et al.	
8,162,662	B2	4/2012	Gaete	
8,529,258	B2	9/2013	Doenges et al.	
8,647,120	B2	2/2014	Marteney et al.	
8,899,979	B2	10/2014	Anderson et al.	
9,138,300	B2	9/2015	Marteney et al.	
D747,809	S	1/2016	Anderson et al.	
9,358,080	B2	6/2016	Clark	

D773,053	S	11/2016	Garrison et al.	
9,629,692	B2 *	4/2017	McDonald	A61C 5/85
D808,020	S	1/2018	Andersen et al.	
2002/0155410	A1	10/2002	Bills	
2005/0118554	A1	6/2005	Kilcher et al.	
2007/0172793	A1	7/2007	Doenges et al.	
2011/0311945	A1	12/2011	Bertolotti et al.	
2012/0164594	A1	6/2012	Pieroni et al.	
2013/0252198	A1	9/2013	Boos et al.	
2013/0344455	A1	12/2013	Hull et al.	
2014/0004477	A1	1/2014	Pieroni et al.	
2015/0216625	A1	8/2015	McDonald	
2016/0015480	A1	1/2016	Korwin	
2018/0200026	A1 *	7/2018	Clark	A61C 5/85

OTHER PUBLICATIONS

Response to Restriction Requirement filed Apr. 30, 2018 in U.S Appl. No. 15/463,232.
 Restriction Requirement dated Feb. 2, 2018 in Design U.S Appl. No. 29/597,733.
 Response to Restriction Requirement filed Mar. 16, 2018 in Design U.S Appl. No. 29/597,733.

* cited by examiner

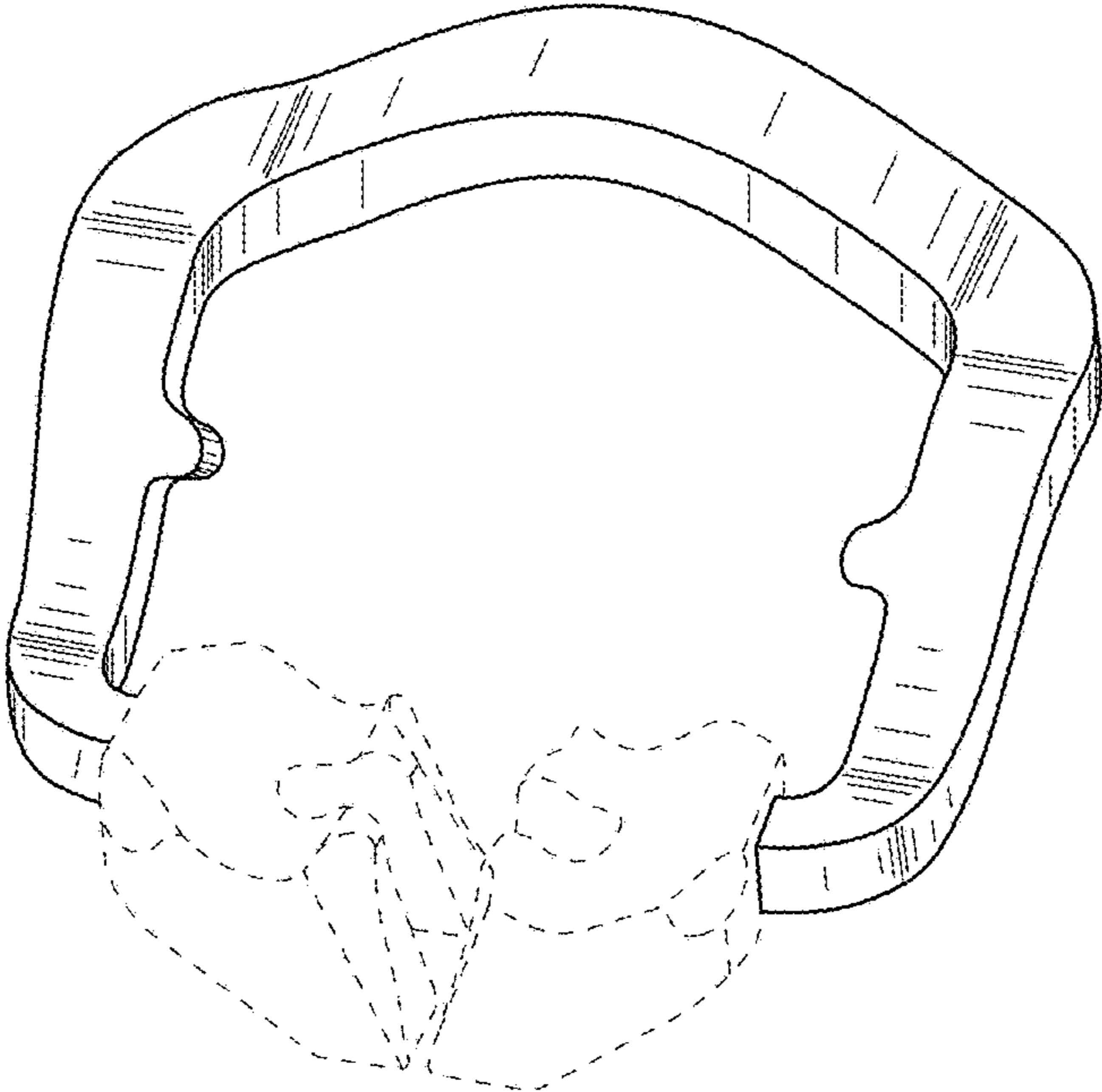


FIG. 1

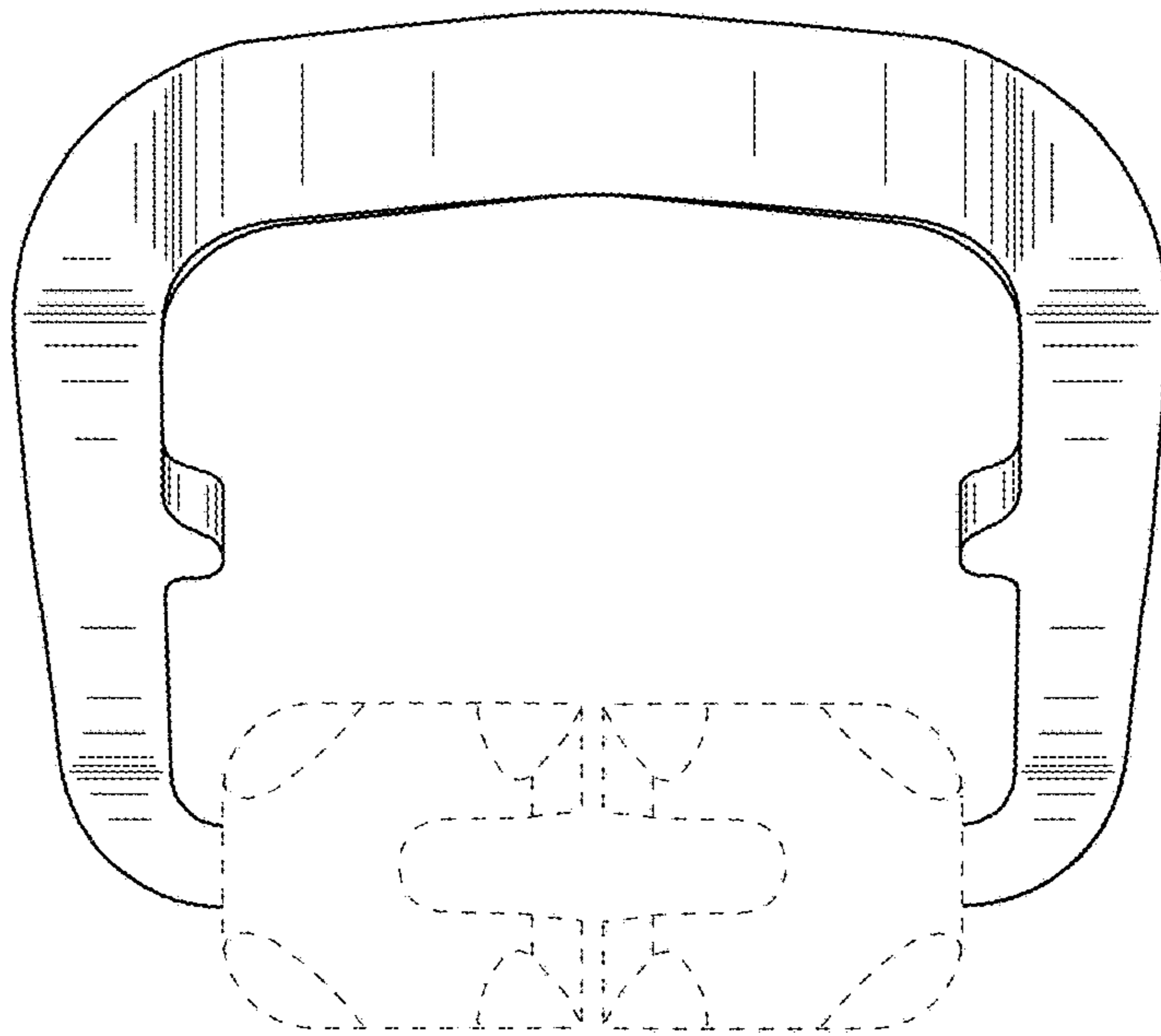


FIG. 2

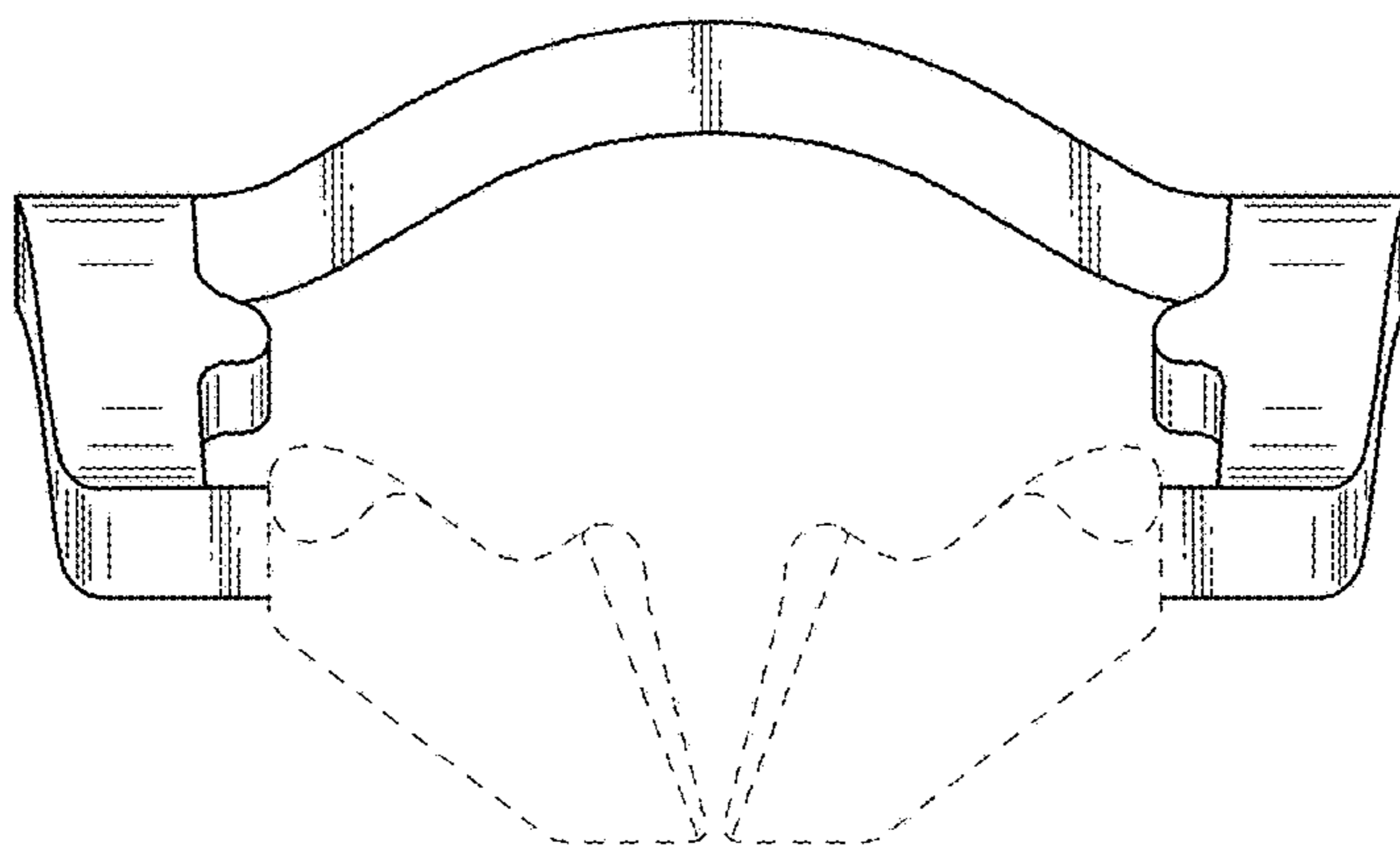


FIG. 3

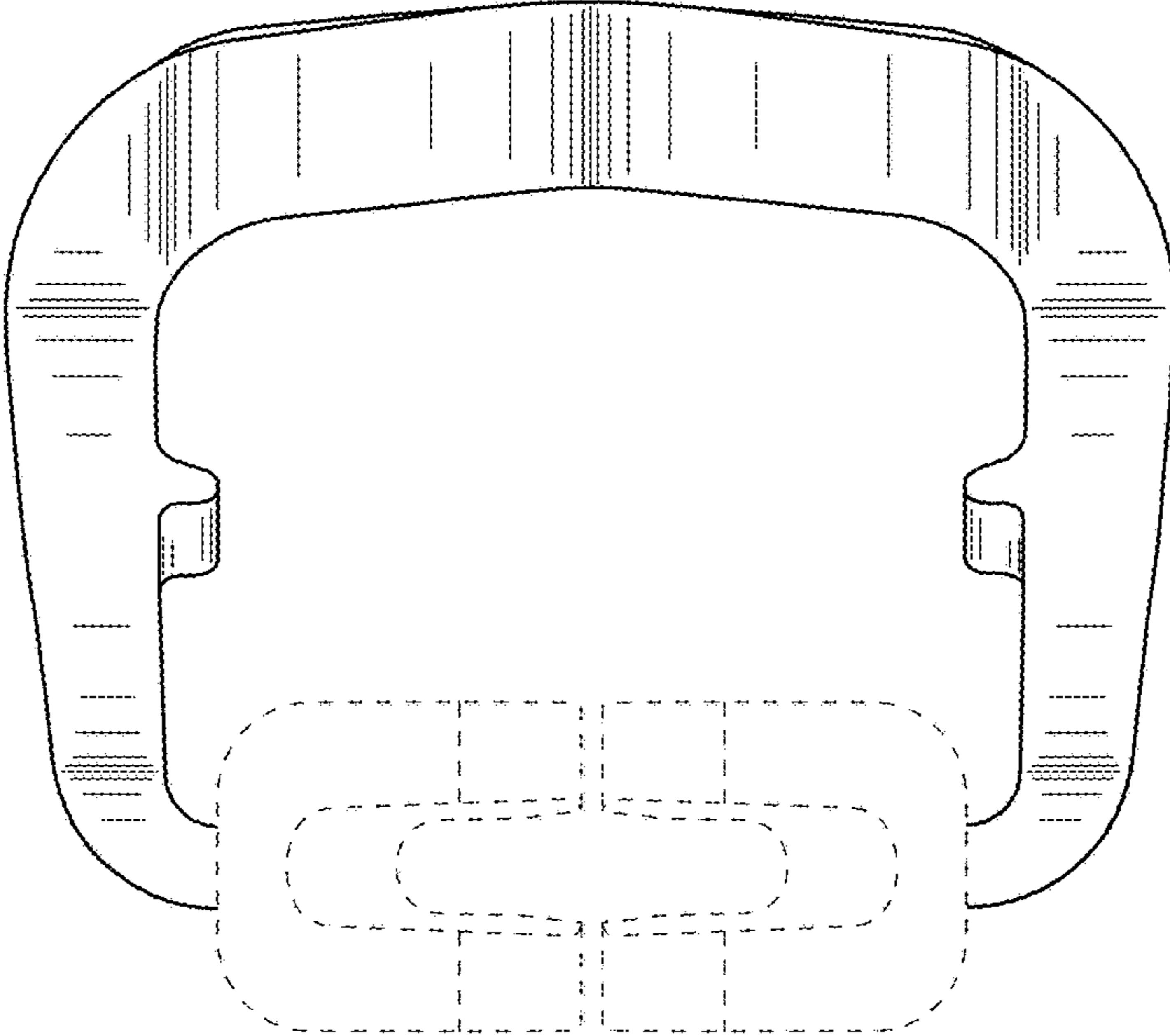


FIG. 4

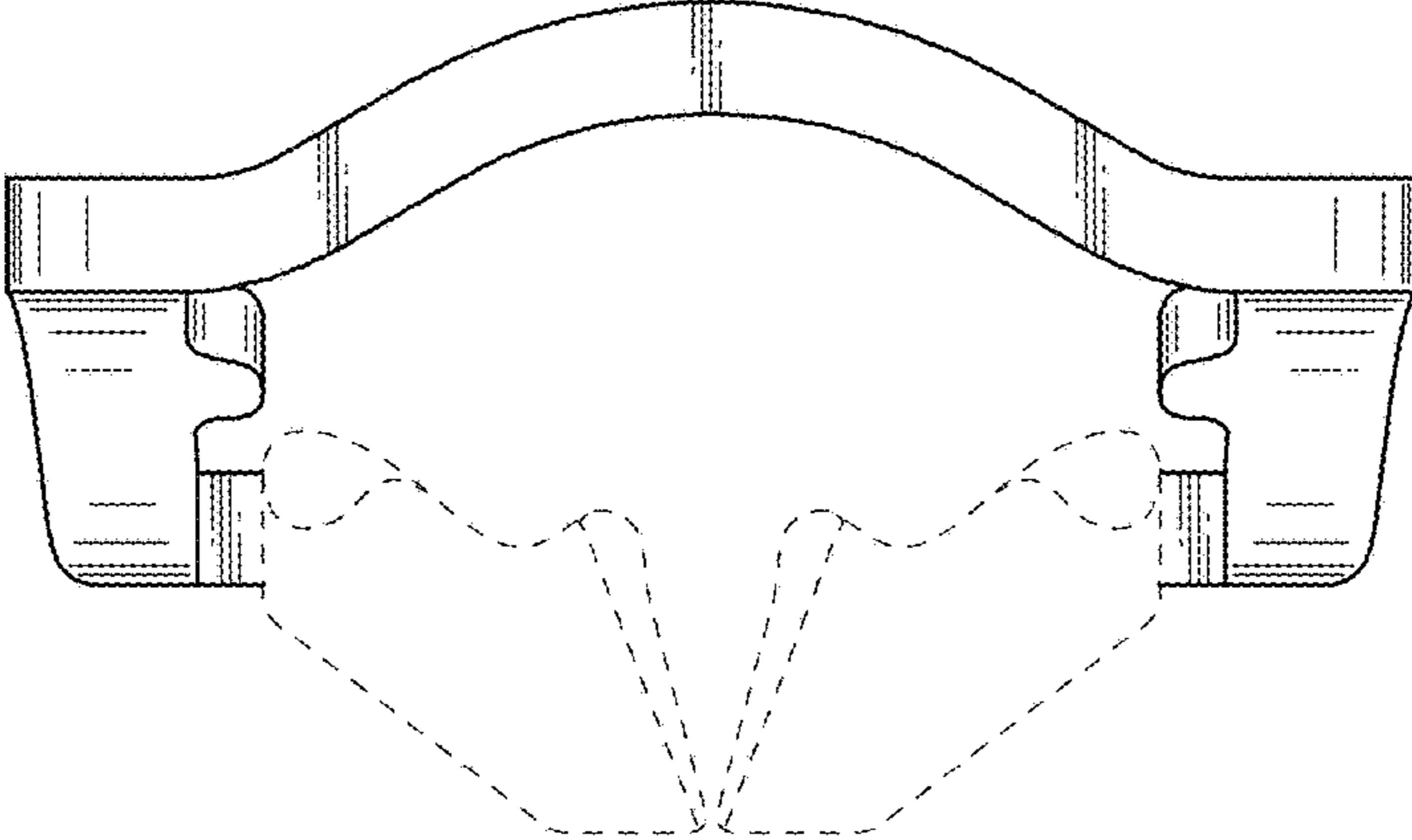


FIG. 5

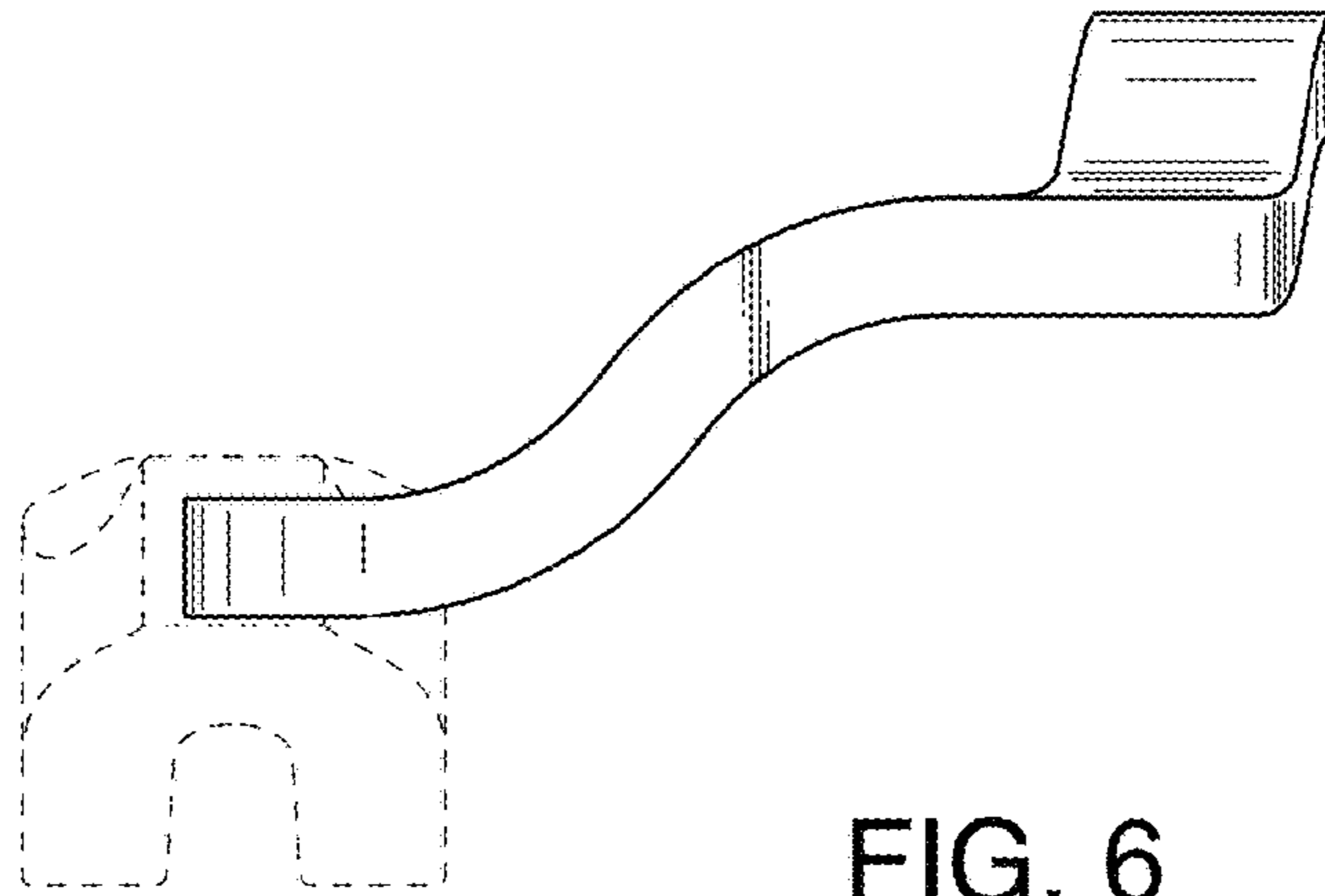


FIG. 6

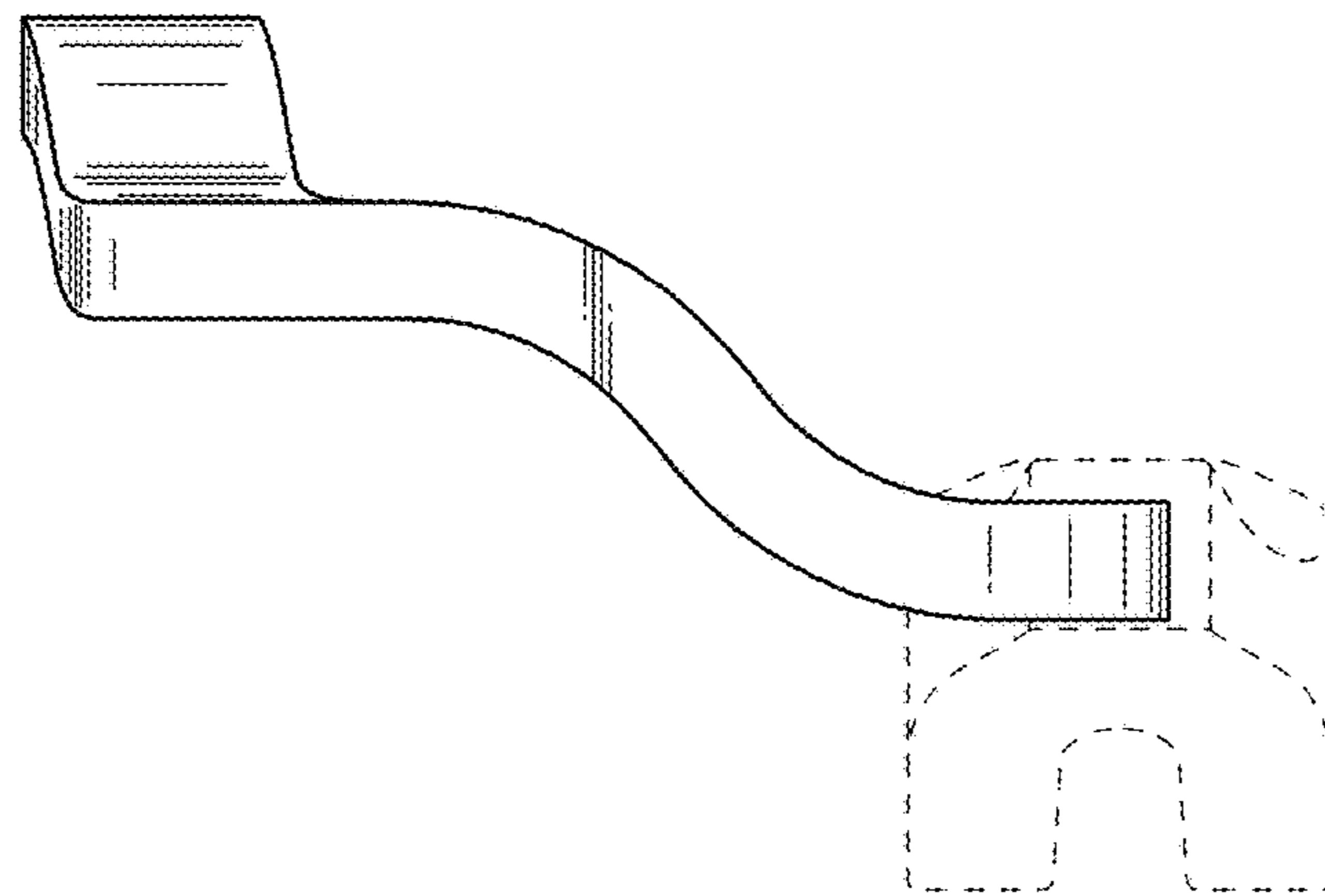


FIG. 7