



US00D838853S

(12) **United States Design Patent**  
**Lumme**

(10) **Patent No.:** **US D838,853 S**  
(45) **Date of Patent:** **\*\* Jan. 22, 2019**

(54) **BIOSENSOR IN A HOLDER WITH A STRAP**

21/00–21/3697; G06F 19/3481; G06F  
3/00–3/027; G06F 22/00–22/025; G06F  
23/00–23/005; G06F 21/16; G01P  
1/00–1/26; G01P 15/00–15/18

(71) Applicant: **Polar Electro Oy**, Kempele (FI)

(72) Inventor: **Lauri Lumme**, Oulu (FI)

See application file for complete search history.

(73) Assignee: **POLAR ELECTRO OY**, Kempele (FI)

(56)

**References Cited**

(\*\*) Term: **15 Years**

U.S. PATENT DOCUMENTS

(21) Appl. No.: **29/613,928**

D739,942 S \* 9/2015 Pernu ..... D24/167  
D739,943 S \* 9/2015 Pernu ..... D24/167  
9,138,158 B2 \* 9/2015 Okuda ..... A61B 5/0408  
9,173,596 B1 \* 11/2015 Berme ..... G06F 19/3481

(22) Filed: **Aug. 15, 2017**

(30) **Foreign Application Priority Data**

\* cited by examiner

Feb. 23, 2017 (EM) ..... 003763895-0001

*Primary Examiner* — Antoine Duval Davis

(51) **LOC (11) Cl.** ..... **24-01**

(74) *Attorney, Agent, or Firm* — FisherBroyles, LLP

(52) **U.S. Cl.**

USPC ..... **D24/167**; D10/30; D10/70

(57)

**CLAIM**

(58) **Field of Classification Search**

USPC ..... D10/30–39, 65, 70, 78, 97, 98; D11/3;  
D14/138 R, 203.5, 203.6, 341, 344;  
D24/16, 168, 186

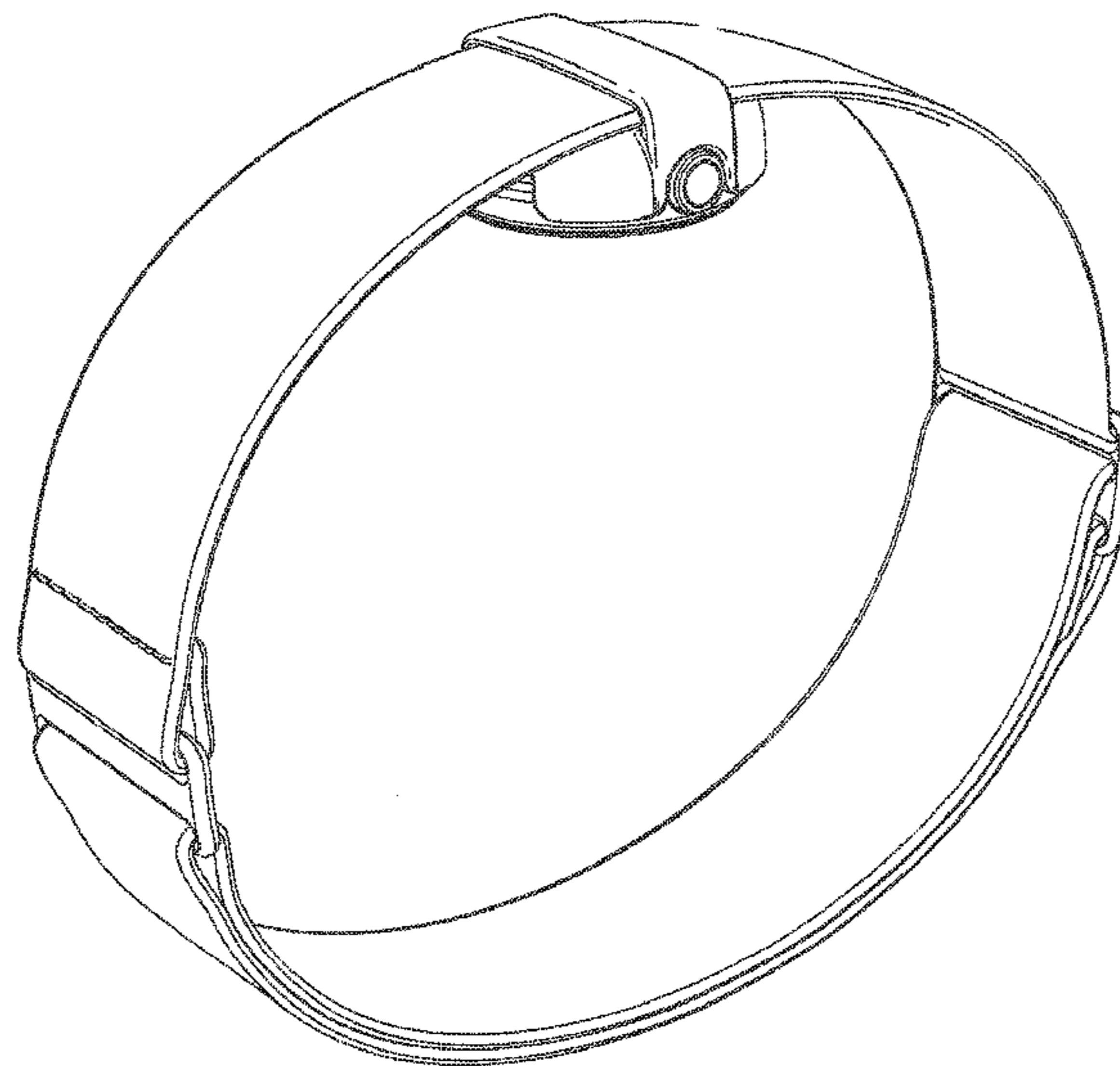
The ornamental design for a biosensor in a holder with a strap, as shown and described.

CPC ..... A63B 24/0062; A63B 71/0686; A63B  
33/002; A63B 71/0622; A63B 2207/02;  
A63B 2244/20; A63B 2071/0625; A63B  
2033/004; A63B 2208/03; A63B 2220/30;  
A63B 2220/836; A63B 2225/50; A63B  
2230/065; A63B 24/00–2024/0096; A63B  
11/02; A63B 2213/00; A63B 69/0028;  
A63B 2071/0658–2071/0666; A63B  
2220/00–2220/89; A63B 2225/02; A61B  
5/0205; A61B 5/6803; A61B 5/0015;  
A61B 5/02416; A61B 5/1118; A61B  
5/02438; A61B 2560/0214; A61B  
2503/10; A61B 5/681; A61B 5/6824;  
A61B 5/6825; A61B 5/6826; G04B  
19/00–19/34; G04B 21/12; G04B 23/12;  
G04B 37/00–37/228; G04B  
47/00–47/068; G01C 17/00; G01C

**DESCRIPTION**

FIG. 1 is a side perspective view of the biosensor in a holder with a strap;  
FIG. 2 is a first side view of the biosensor in a holder with a strap;  
FIG. 3 is a second side view of the biosensor in a holder with a strap;  
FIG. 4 is a first end view of the biosensor in a holder with a strap;  
FIG. 5 is a second end view of the biosensor in a holder with a strap;  
FIG. 6 is a first lateral view of the biosensor in a holder with a strap; and,  
FIG. 7 is a second lateral view of the biosensor in a holder with a strap.

**1 Claim, 7 Drawing Sheets**



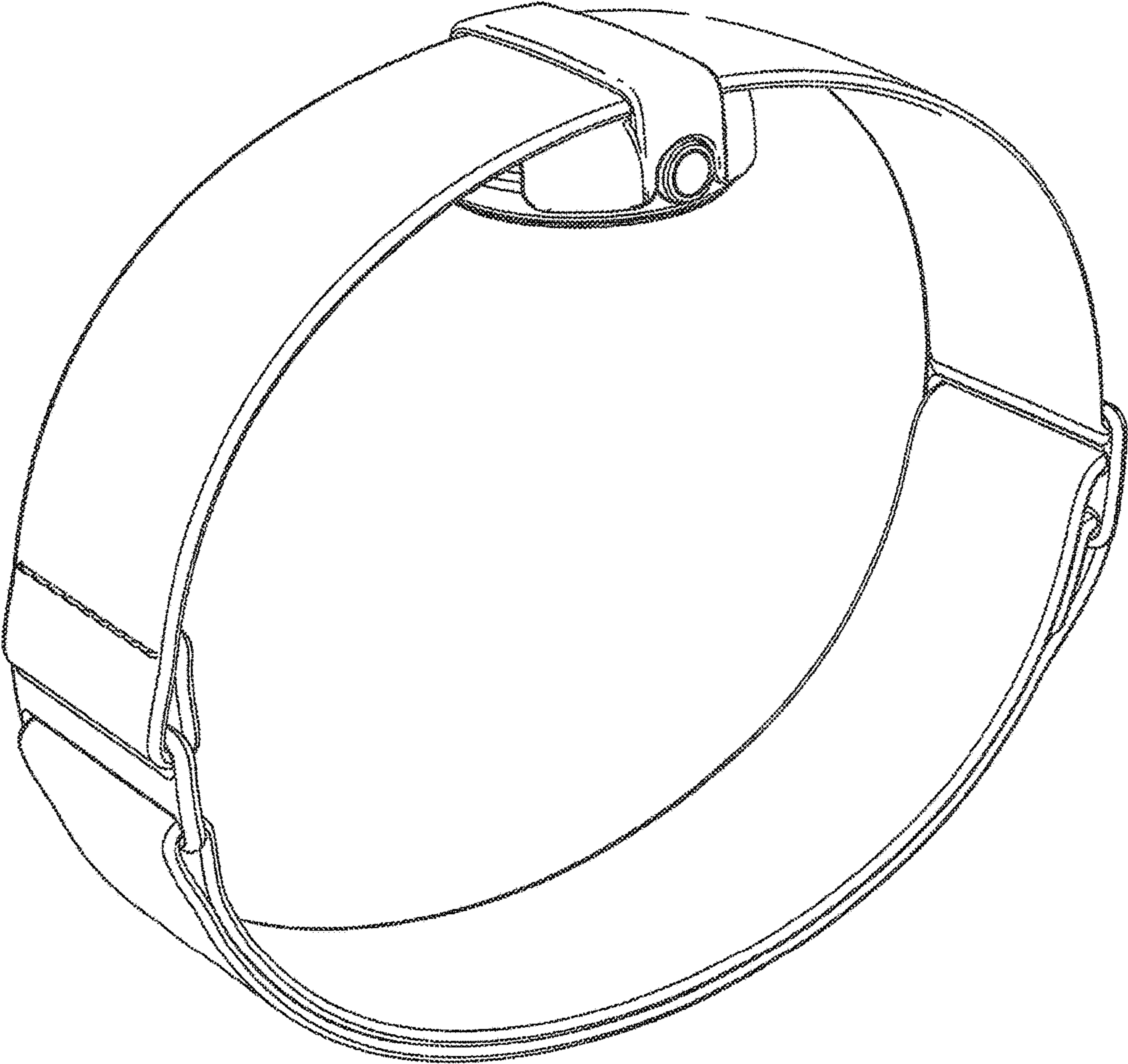


FIG. 1

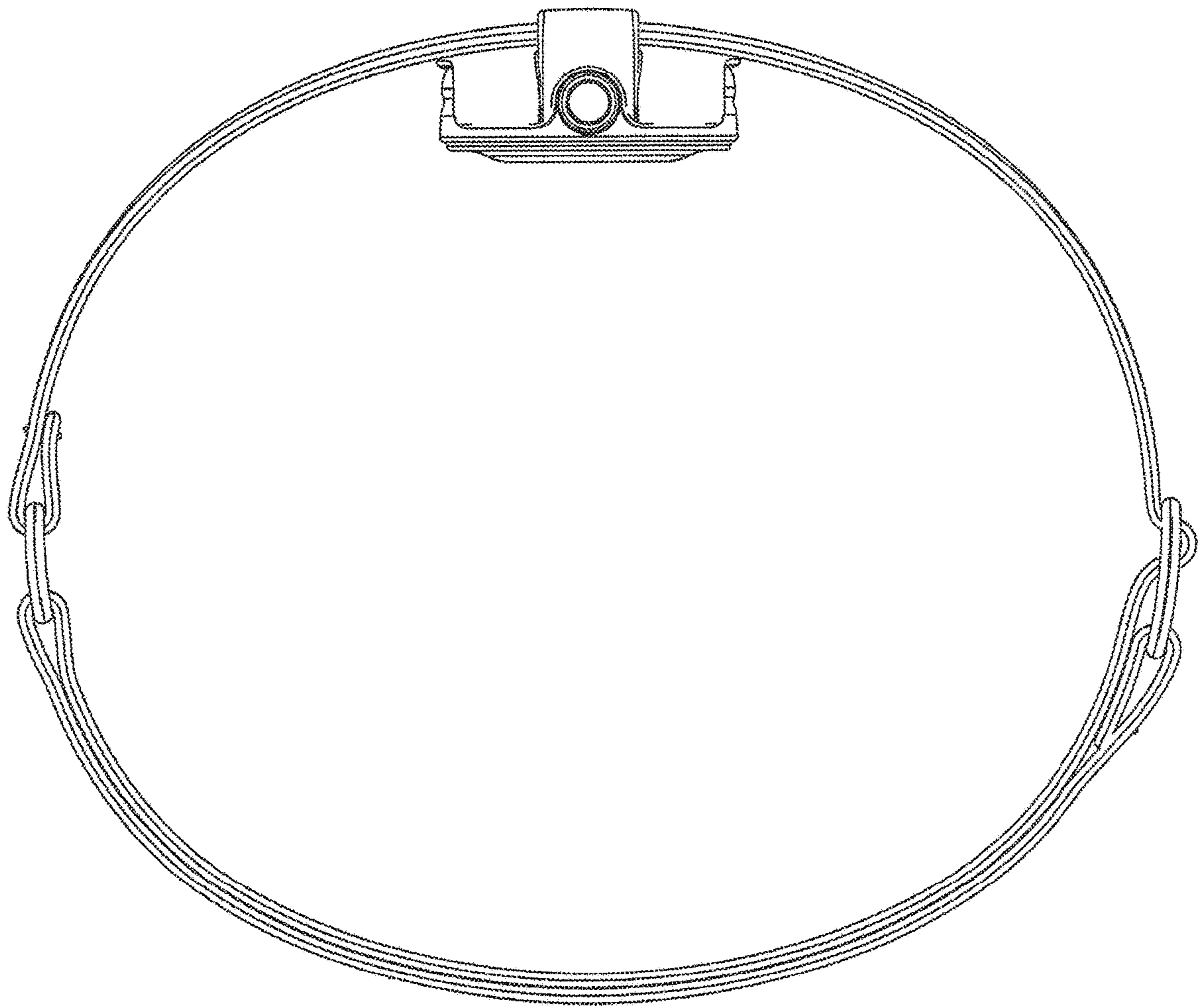


FIG. 2

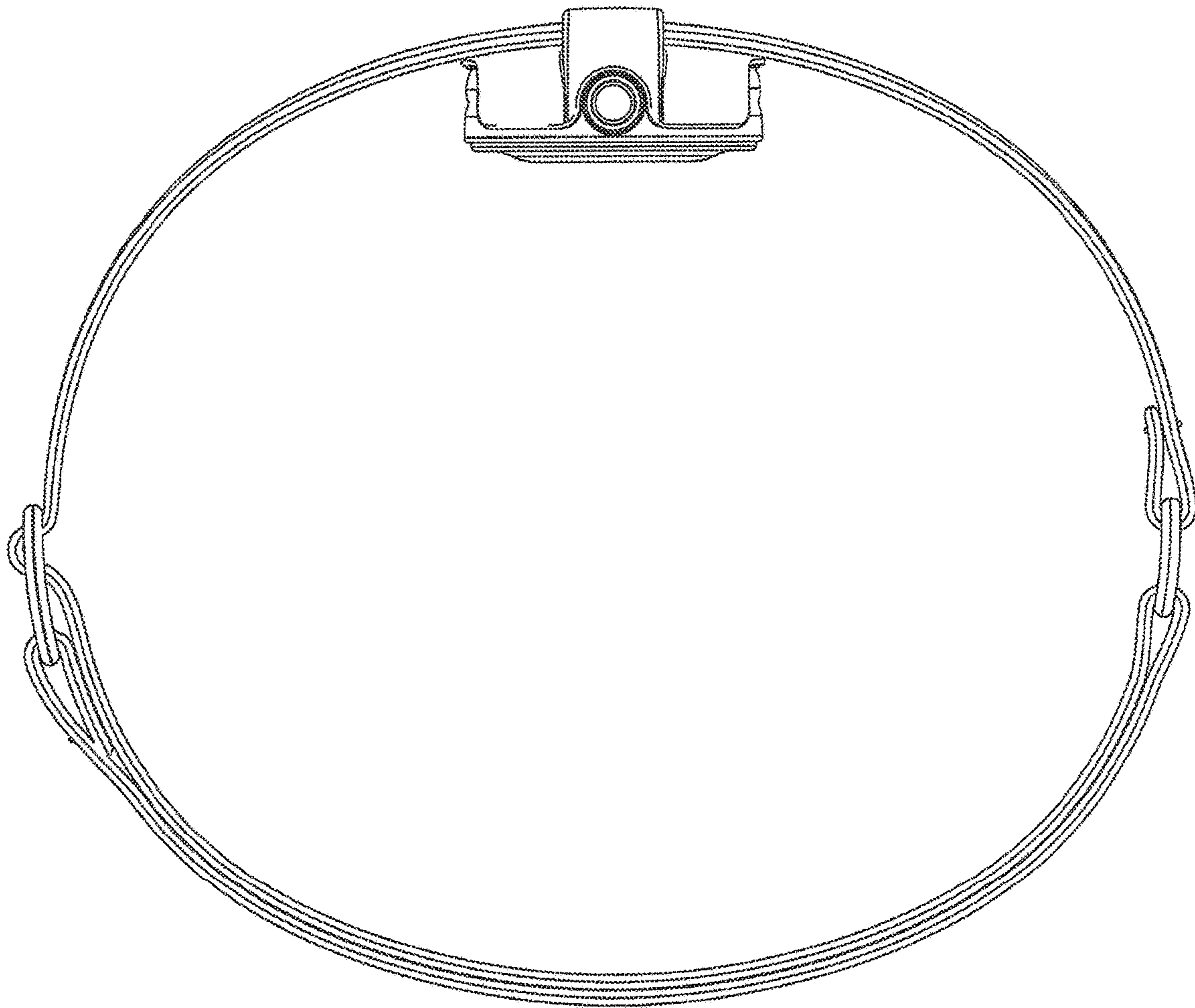


FIG. 3



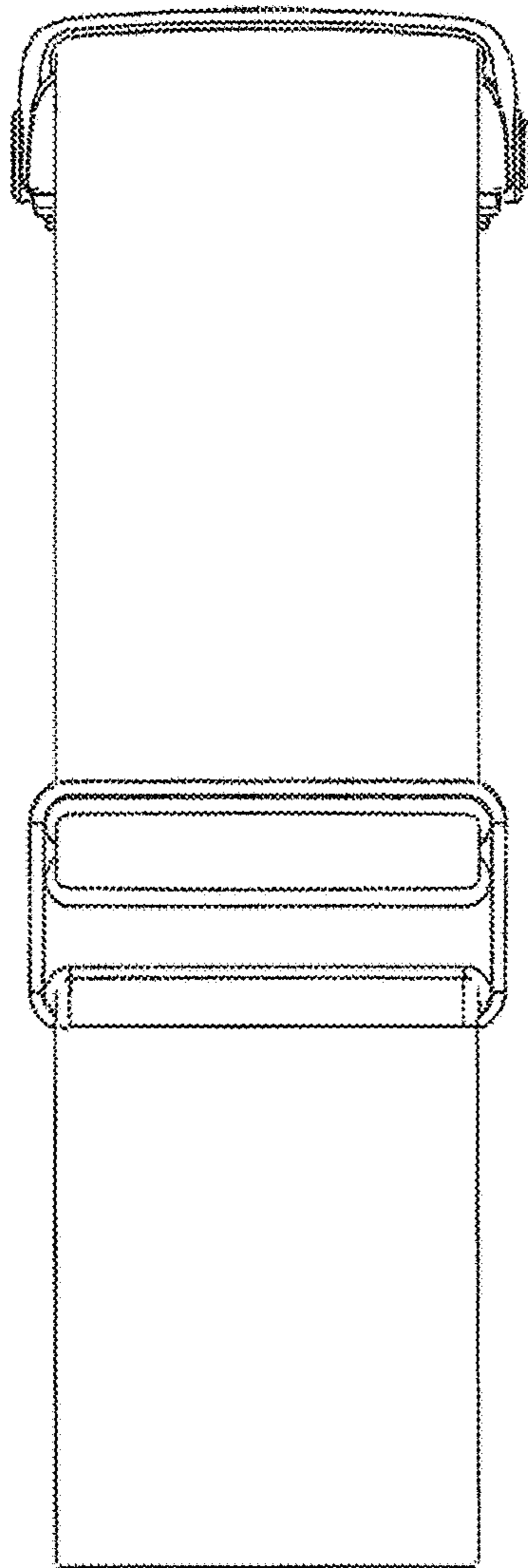


FIG. 4

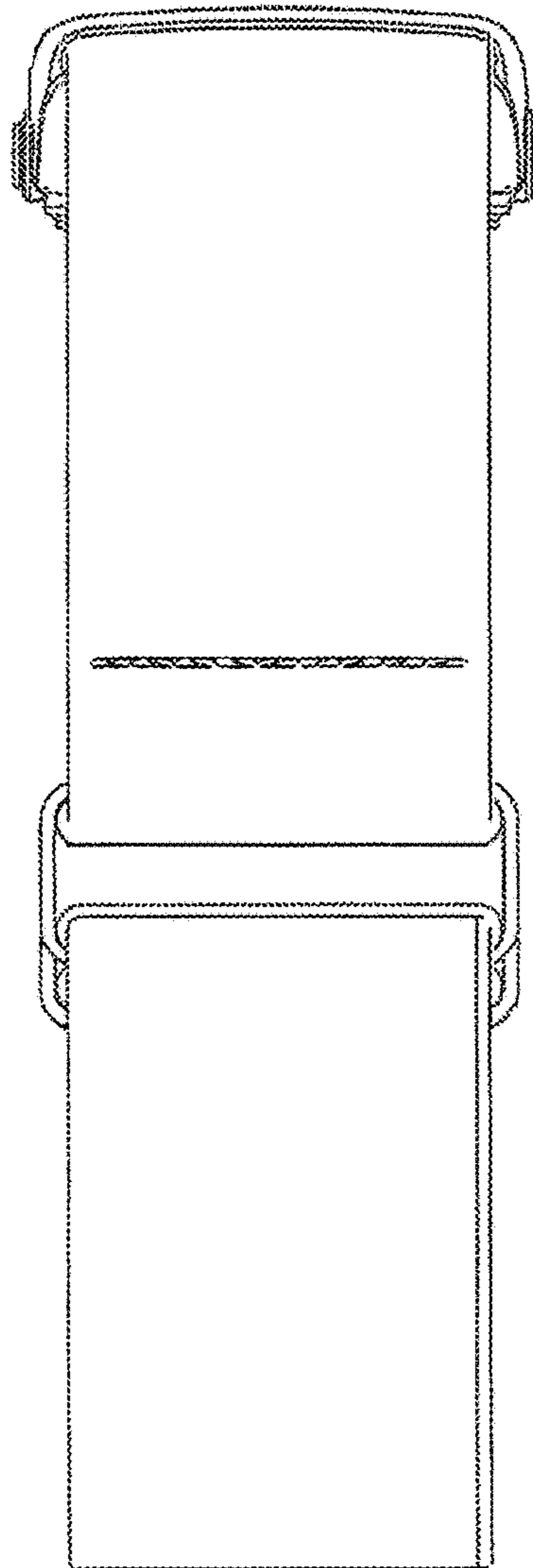


FIG. 5

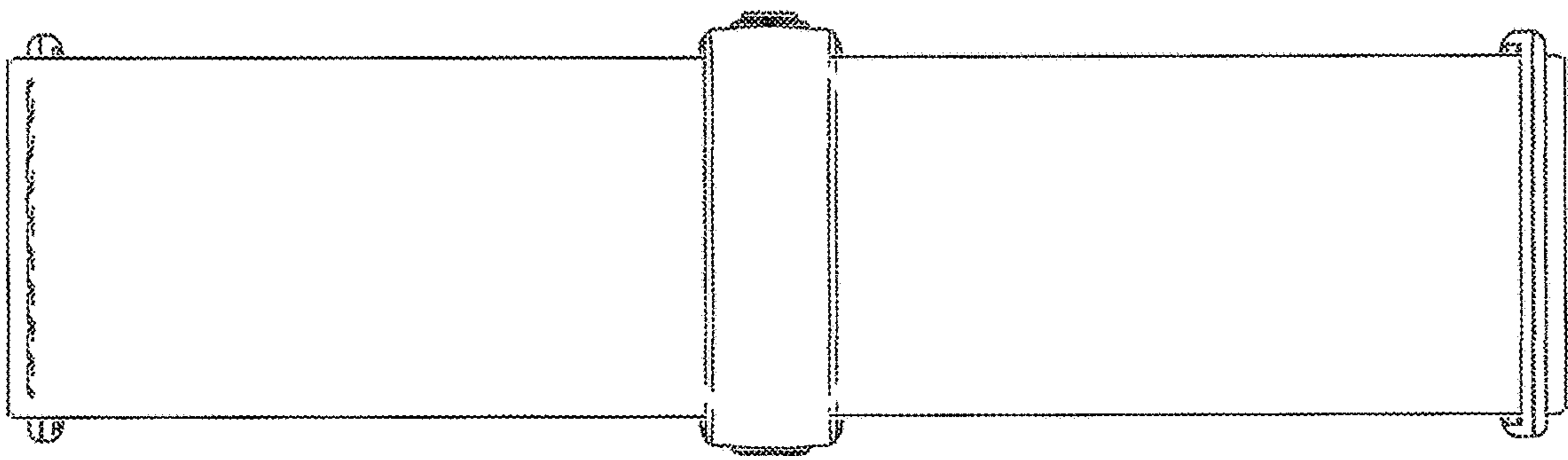


FIG. 6

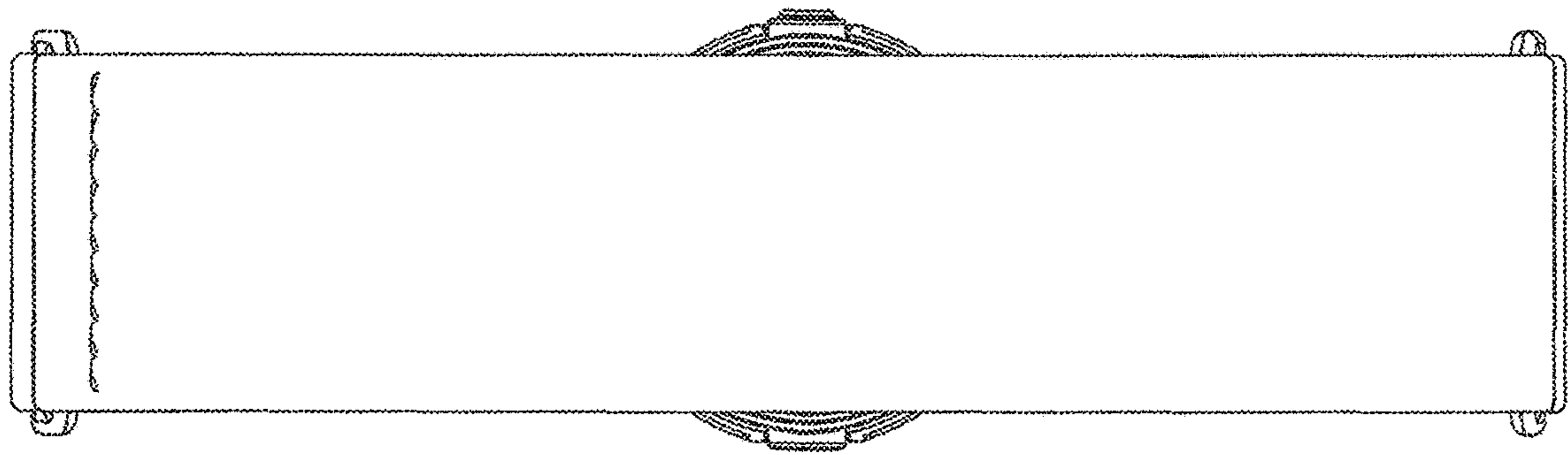


FIG. 7