

US00D838852S

(12) **United States Design Patent**
Sottas et al.

(10) **Patent No.: US D838,852 S**
(45) **Date of Patent: ** Jan. 22, 2019**

(54) **XRAY TUBE**
(71) Applicant: **COMET AG**, Flamatt (CH)
(72) Inventors: **Arnaud Sottas**, Bulle (CH); **Matthew Price**, Neyruz (CH); **Michael Chabior**, Berne (CH); **Christoph Walther**, Berne (CH)

(**) Term: **15 Years**

(21) Appl. No.: **35/504,161**

(22) Filed: **Nov. 24, 2017**

(80) **Hague Agreement Data**

Int. Filing Date: **Nov. 24, 2017**
Int. Reg. No.: **DM/098790**
Int. Reg. Date: **Nov. 24, 2017**
Int. Reg. Pub. Date: **Dec. 15, 2017**

(51) **LOC (11) Cl.** **24-01**

(52) **U.S. Cl.**
USPC **D24/158**

(58) **Field of Classification Search**
USPC D24/158; 378/193; 248/327; 313/116
CPC A61B 6/4429; A61B 6/4464; H01J 35/16;
H01J 35/18
See application file for complete search history.

(56) **References Cited**

U.S. PATENT DOCUMENTS

958,488 A * 5/1910 Green H01J 35/18
313/116
3,373,285 A * 3/1968 Barrett A61B 6/4464
248/327
D246,665 S * 12/1977 Updegrave D24/158
4,315,182 A * 2/1982 Furbee H01J 35/16
313/116

4,993,057 A * 2/1991 Runnells A61B 6/4429
378/193
D470,589 S * 2/2003 Choi D24/158
D755,386 S * 5/2016 Kato D24/158
D755,387 S * 5/2016 Kato D24/158
D755,389 S * 5/2016 Kato D24/158
D755,390 S * 5/2016 Kato D24/158
D755,391 S * 5/2016 Kato D24/158
D767,141 S * 9/2016 Mizumura D24/158
D767,143 S * 9/2016 Mizumura D24/158
D778,444 S * 2/2017 Mizumura D24/158
D793,558 S * 8/2017 Mizumura D24/158
D794,198 S * 8/2017 Mizumura D24/158
D794,199 S * 8/2017 Mizumura D24/158

* cited by examiner

Primary Examiner — Rhea Shields

(57) **CLAIM**

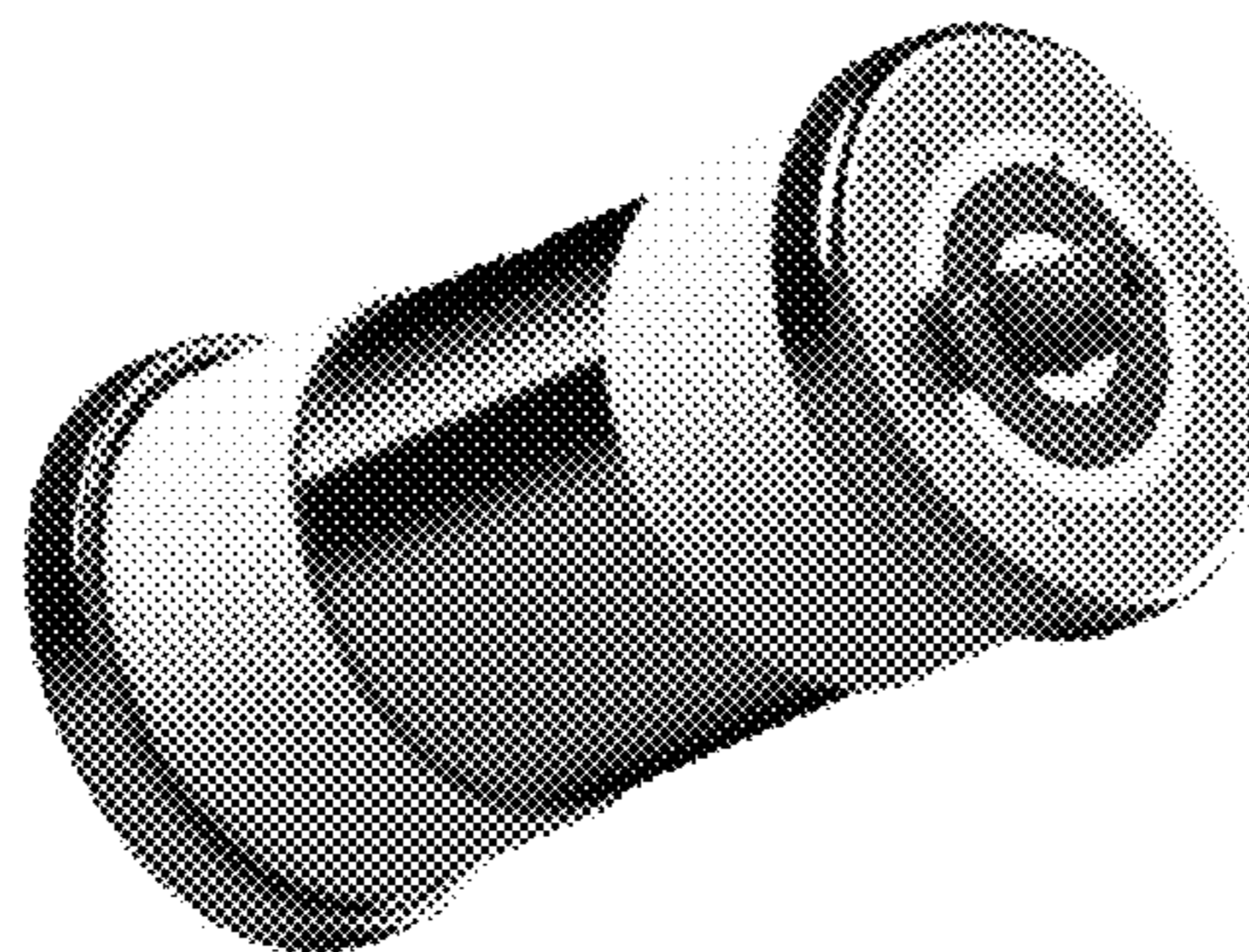
The ornamental design for an x-ray tube, as shown and described.

DESCRIPTION

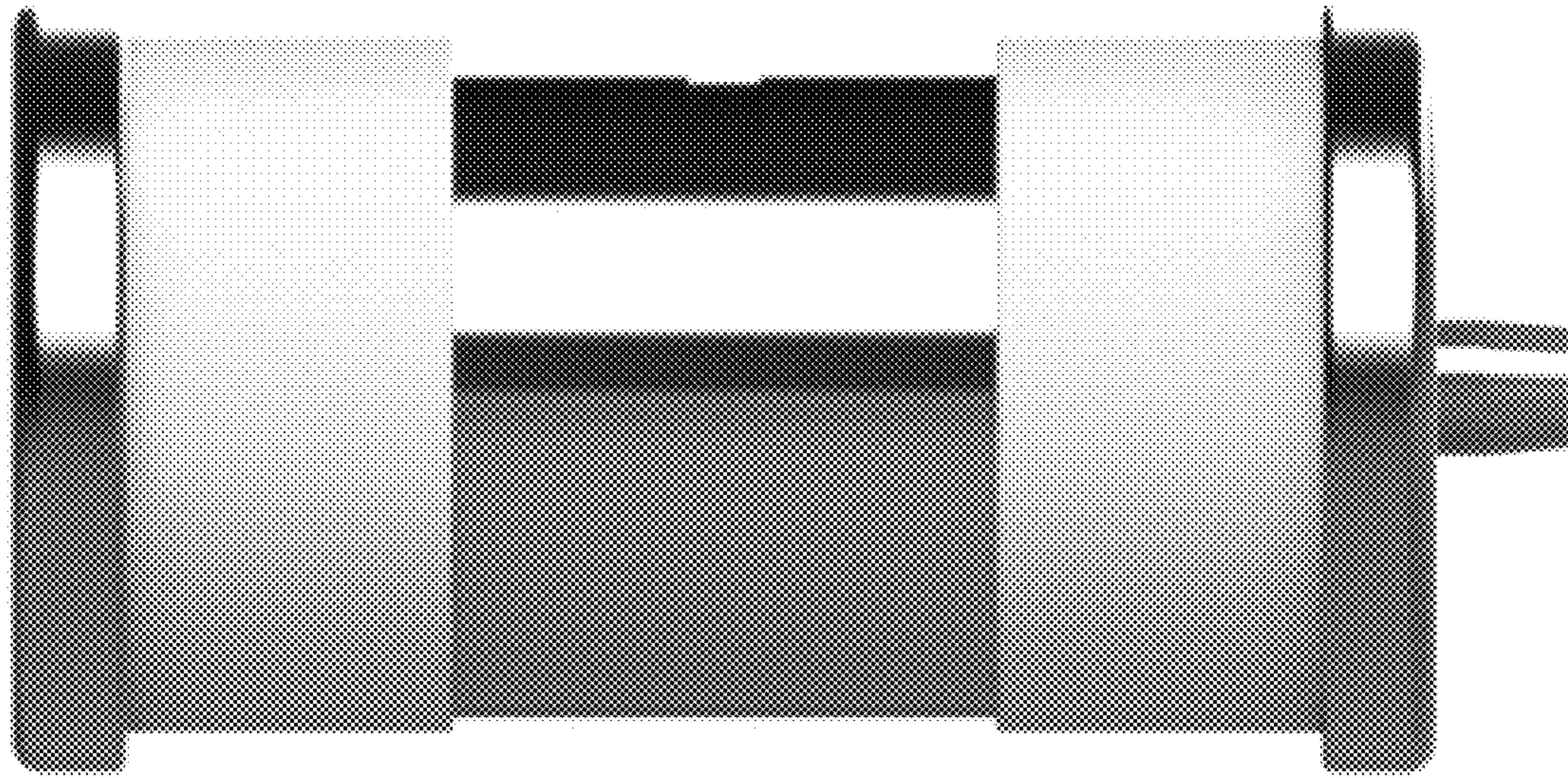
The patent or application file contains at least one drawing executed in color. Copies of this patent or patent application publication with color drawing(s) will be provided by the Office upon request and payment of the necessary fee.

- 1. X-ray tube
- 1.1 is a front view;
- 1.2 is a back view;
- 1.3 is a side view;
- 1.4 is a perspective view;
- 1.5 is a perspective view;
- 1.6 is a perspective view;
- 1.7 is a perspective view;
- 1.8 is a top view;
- 1.9 is a bottom view; and
- 1.10 is a side view.

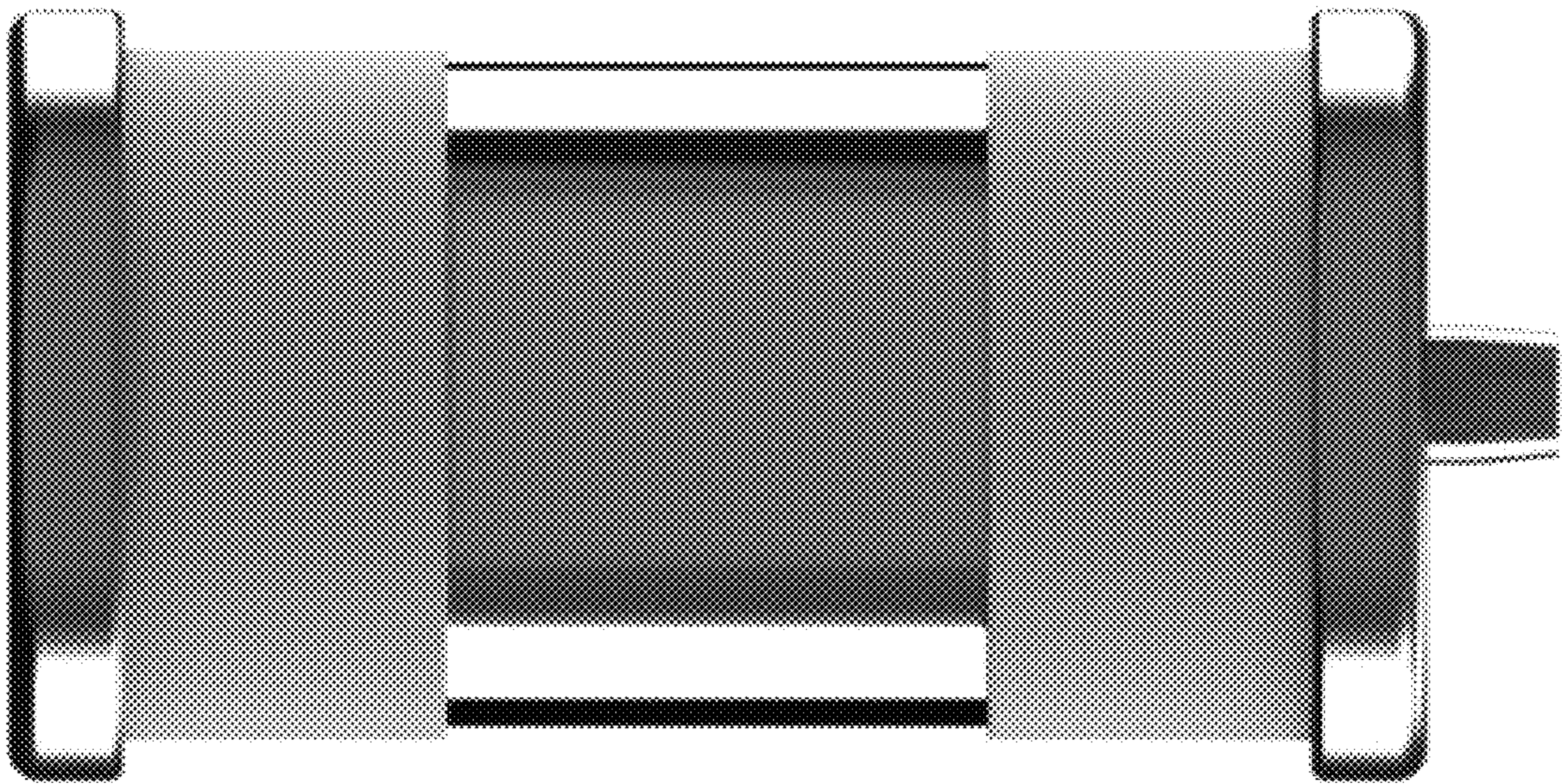
1 Claim, 10 Drawing Sheets
(10 of 10 Drawing Sheet(s) Filed in Color)



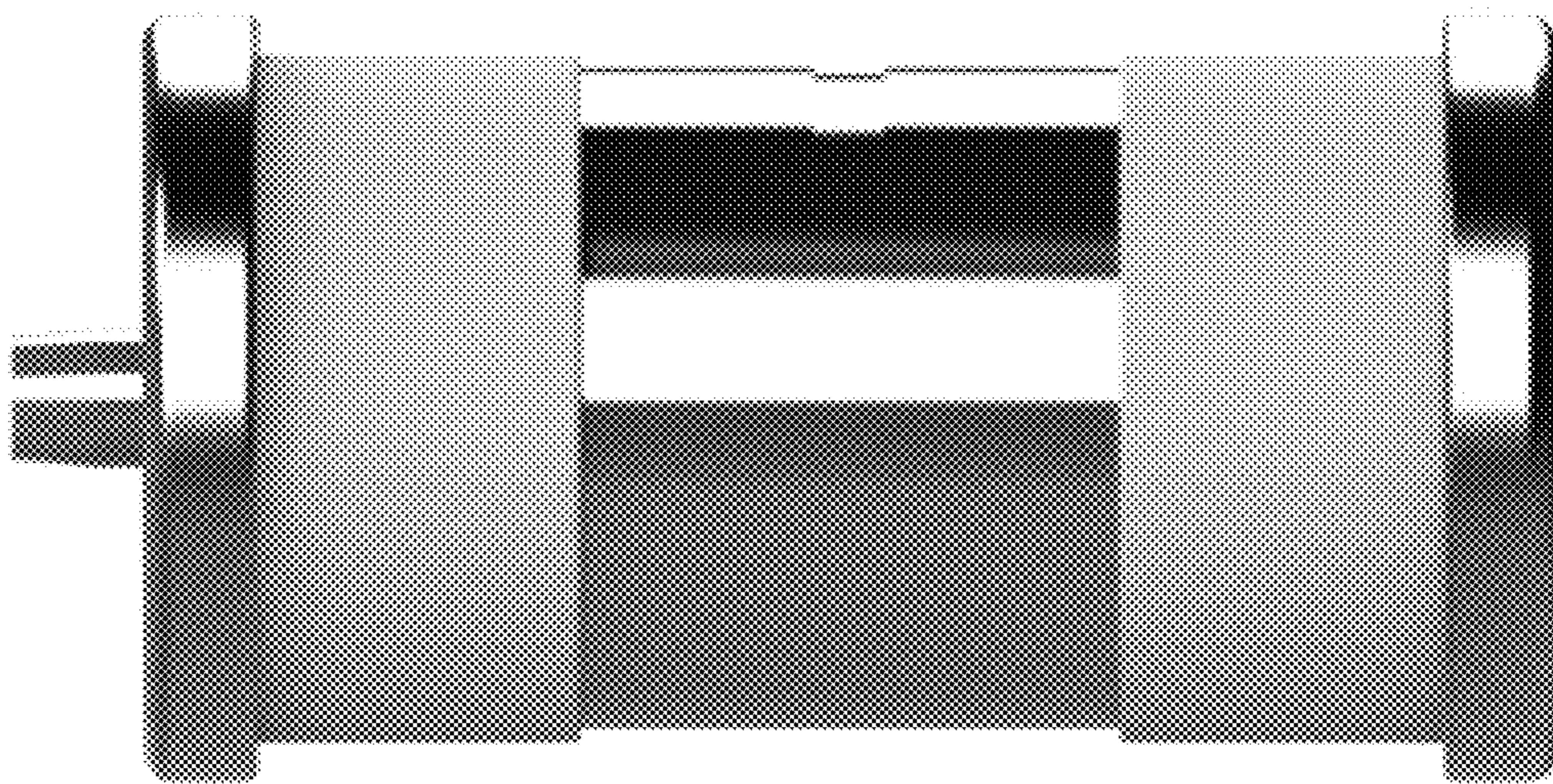
1.1



1.2



1.3



1.4



1.5



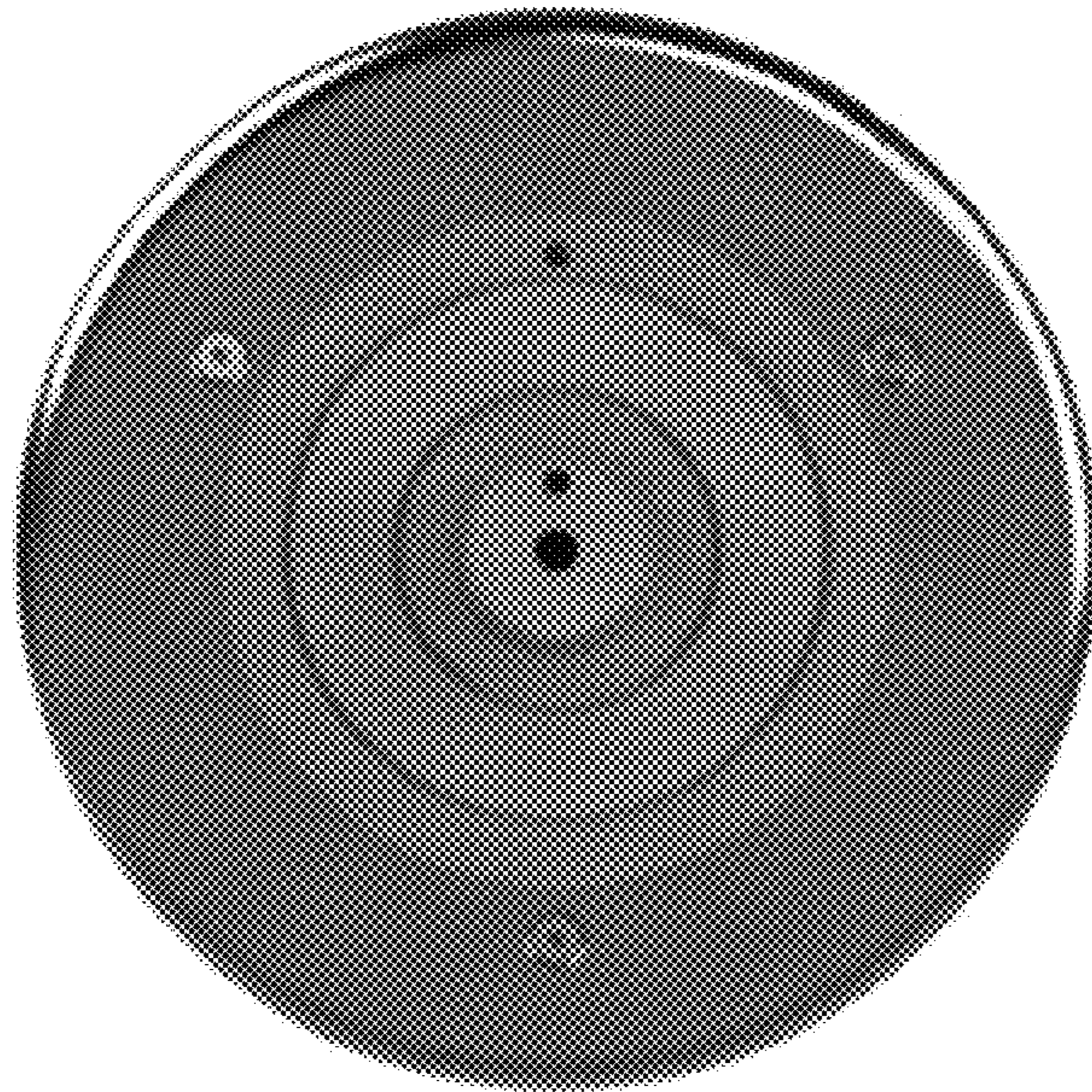
1.6



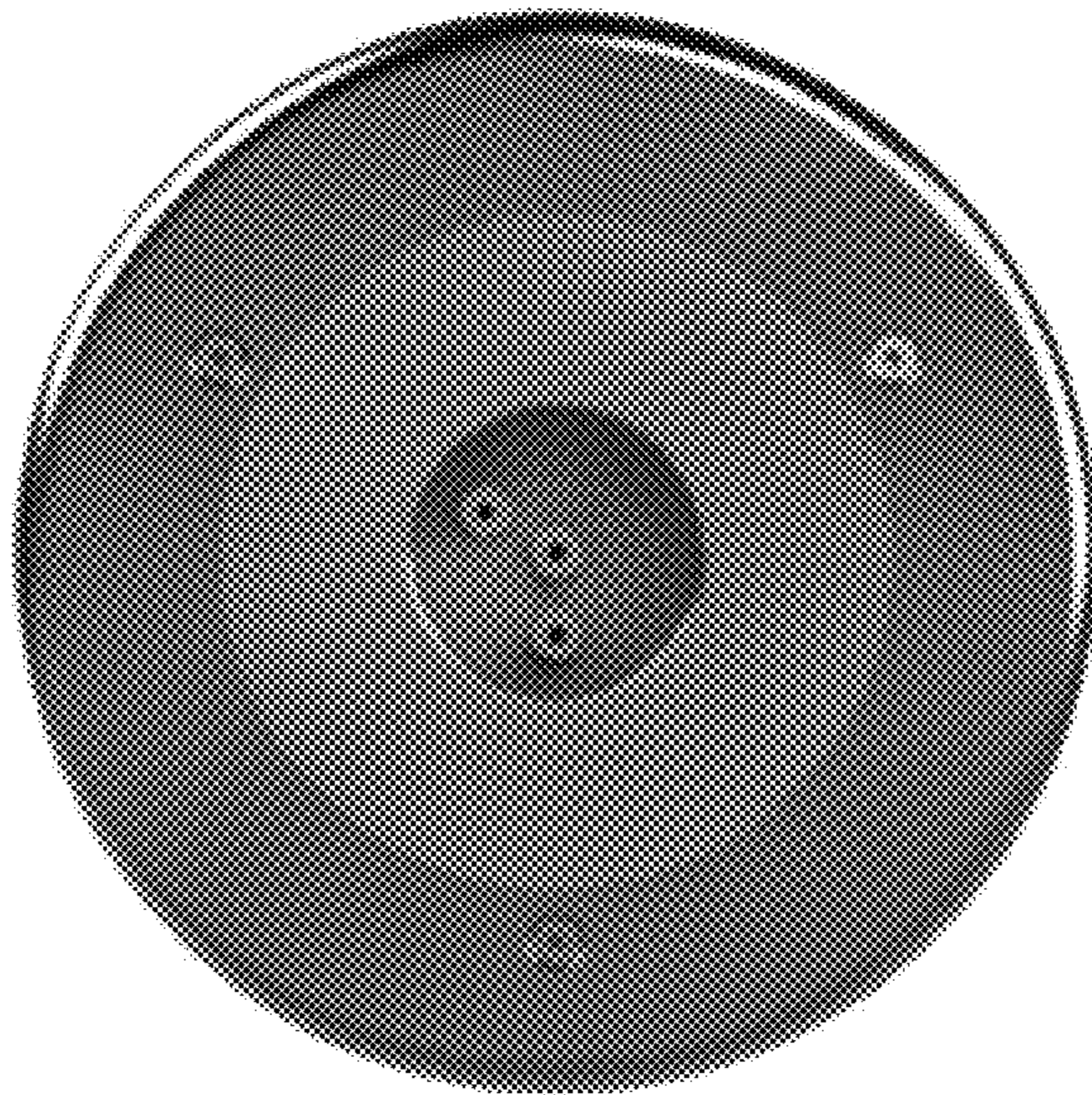
1.7



1.8



1.9



1.10

