



US00D838848S

(12) **United States Design Patent**  
**Neubauer et al.**

(10) **Patent No.:** **US D838,848 S**  
(45) **Date of Patent:** **\*\* Jan. 22, 2019**

(54) **REFERENCE ARRAY AND HOLDER THEREFOR IN COMBINATION**

(71) Applicant: **Brainlab AG**, Munich (DE)

(72) Inventors: **Timo Neubauer**,  
Grasbrunn-Neukeferloh (DE); **Melanie Stulpe**,  
Rosenheim (DE); **Marc Brokelmann**,  
Munich (DE)

(73) Assignee: **Brainlab AG**, Munich (DE)

(\*\*) Term: **15 Years**

(21) Appl. No.: **29/629,815**

(22) Filed: **Dec. 15, 2017**

**Related U.S. Application Data**

(62) Division of application No. 29/548,540, filed on Dec. 15, 2015, now Pat. No. Des. 823,470.

(30) **Foreign Application Priority Data**

Jul. 10, 2015 (EM) ..... 002734657

(51) **LOC (11) Cl.** ..... **24-01**

(52) **U.S. Cl.**  
USPC ..... **D24/158**

(58) **Field of Classification Search**  
USPC ..... D24/107, 158-161, 185, 186, 187, 231,  
D24/128, 133, 140  
CPC ..... A61B 90/39; A61B 2090/3908; A61B  
2090/392; A61B 2090/3937; A61B  
2090/395; A61B 2090/3966; A61B  
2090/3983; A61B 5/066

See application file for complete search history.

(56) **References Cited**

**U.S. PATENT DOCUMENTS**

D365,881 S 1/1996 Tiefenthal et al.  
7,491,198 B2\* 2/2009 Kockro ..... A61B 90/36  
606/1

D685,478 S 7/2013 Lomas et al.  
D690,421 S \* 9/2013 Charles ..... D24/158  
9,019,262 B2 4/2015 Ma et al.  
D761,428 S 7/2016 Birkenbach  
D778,441 S 2/2017 Corrao, Jr. et al.  
2002/0068942 A1 6/2002 Neubauer et al.  
2005/0113846 A1\* 5/2005 Carson ..... A61F 2/461  
606/130  
2007/0016009 A1 1/2007 Lakin et al.  
2008/0045972 A1 2/2008 Wagner et al.  
2008/0195110 A1 8/2008 Plassy et al.  
2009/0024127 A1 1/2009 Lechner et al.

(Continued)

*Primary Examiner* — Anhdao Doan

(74) *Attorney, Agent, or Firm* — Tucker Ellis LLP

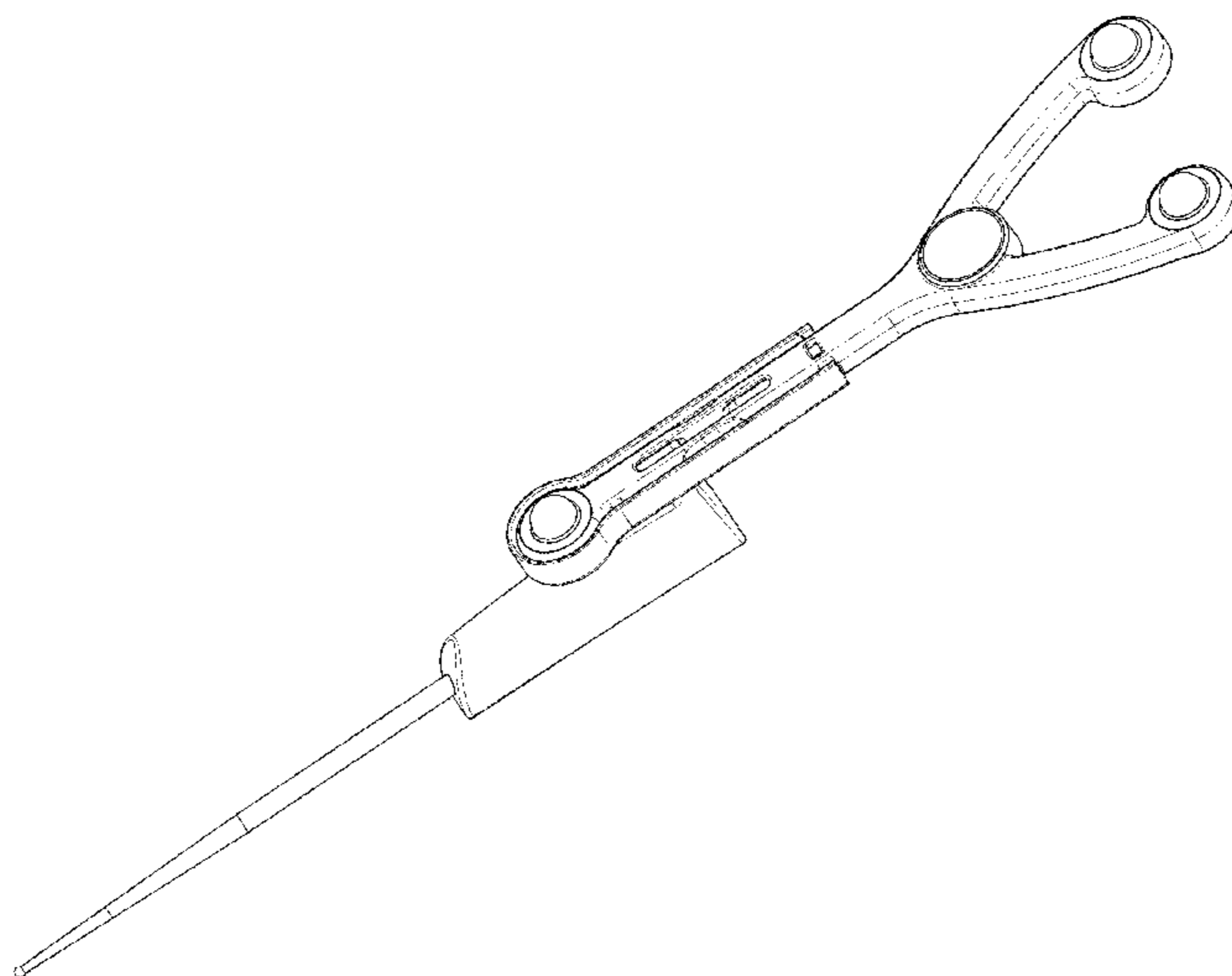
(57) **CLAIM**

The ornamental design for a reference array and holder therefor in combination, as shown and described.

**DESCRIPTION**

FIG. 1 is a perspective view of a reference array connected to a pointer by way of a holder showing our new design. FIG. 2 is a front view thereof. FIG. 3 is a rear view thereof. FIG. 4 is a left side view thereof. FIG. 5 is a perspective view of a pointer and a holder for a reference array. FIG. 6 is a front view thereof. FIG. 7 is a rear view thereof; and, FIG. 8 is a left side view thereof. The broken lines immediately adjacent the shaded areas represent the bounds of the claimed design and form no part thereof; all other broken lines depict unclaimed environmental subject matter and form no part of the claim.

**1 Claim, 6 Drawing Sheets**



(56)

**References Cited**

U.S. PATENT DOCUMENTS

2010/0100081 A1 4/2010 Tuma et al.  
2015/0351863 A1 12/2015 Plassky et al.

\* cited by examiner

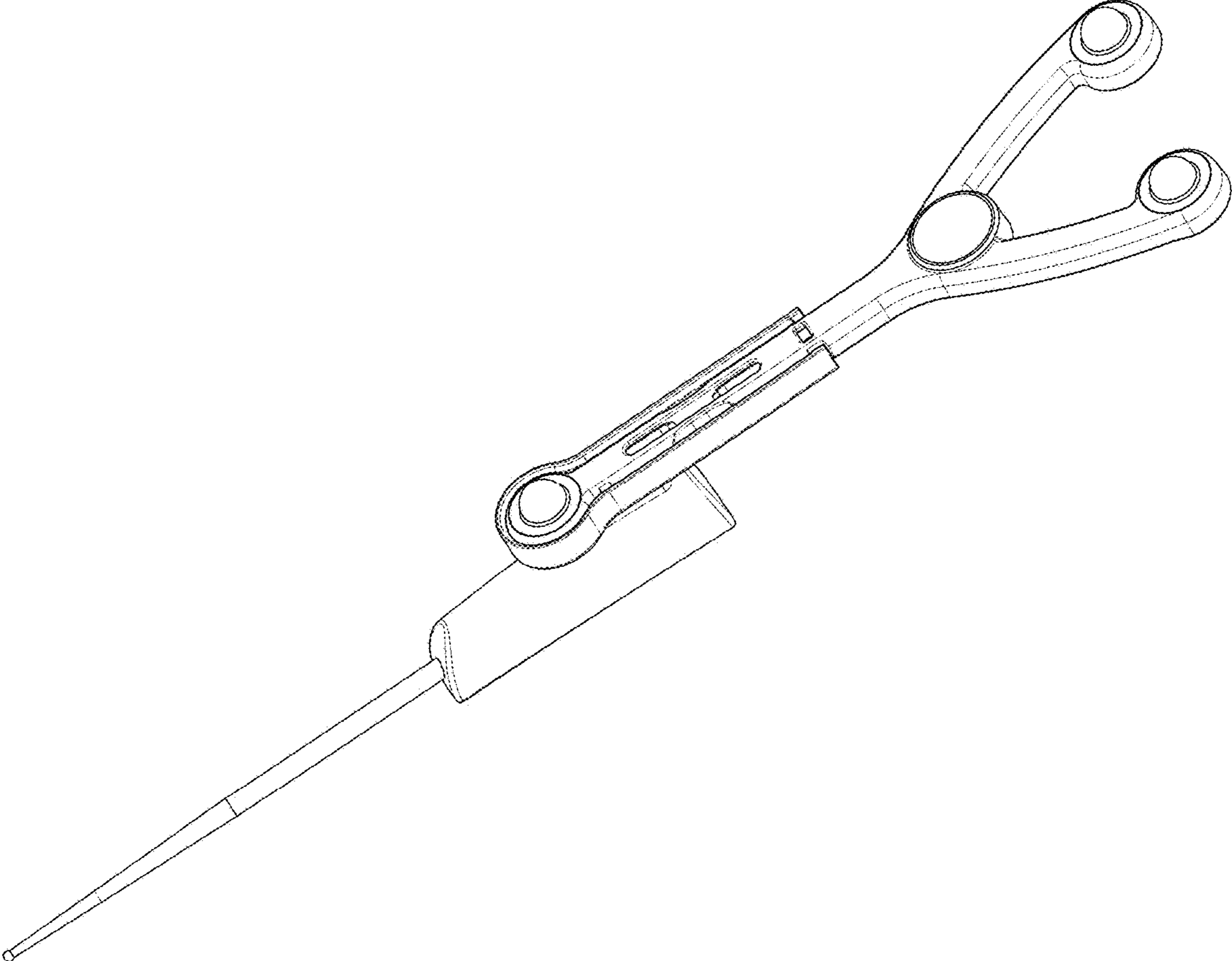


FIG. 1

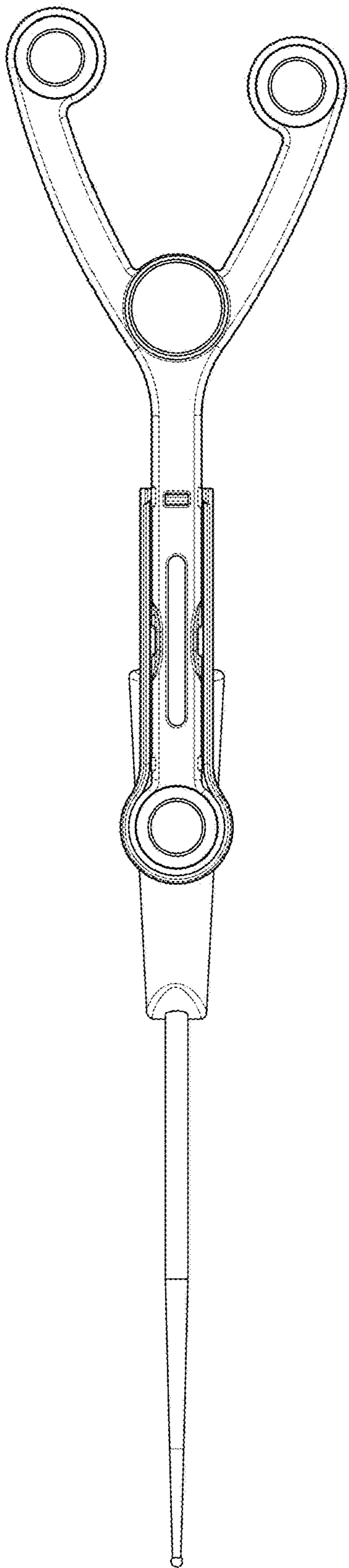


FIG. 2

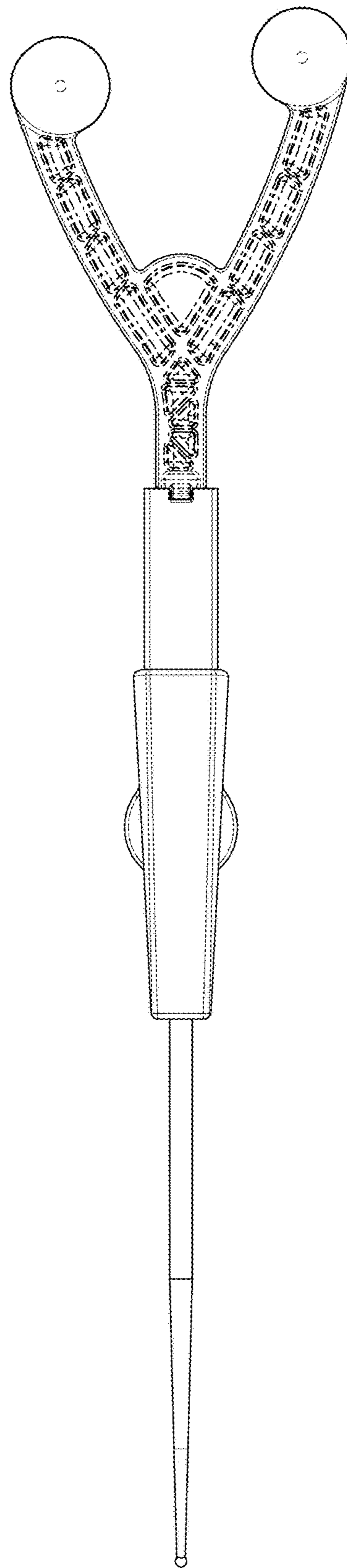


FIG. 3

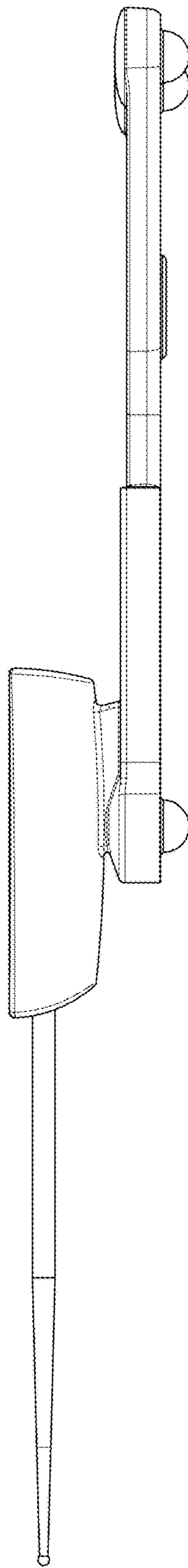


FIG. 4

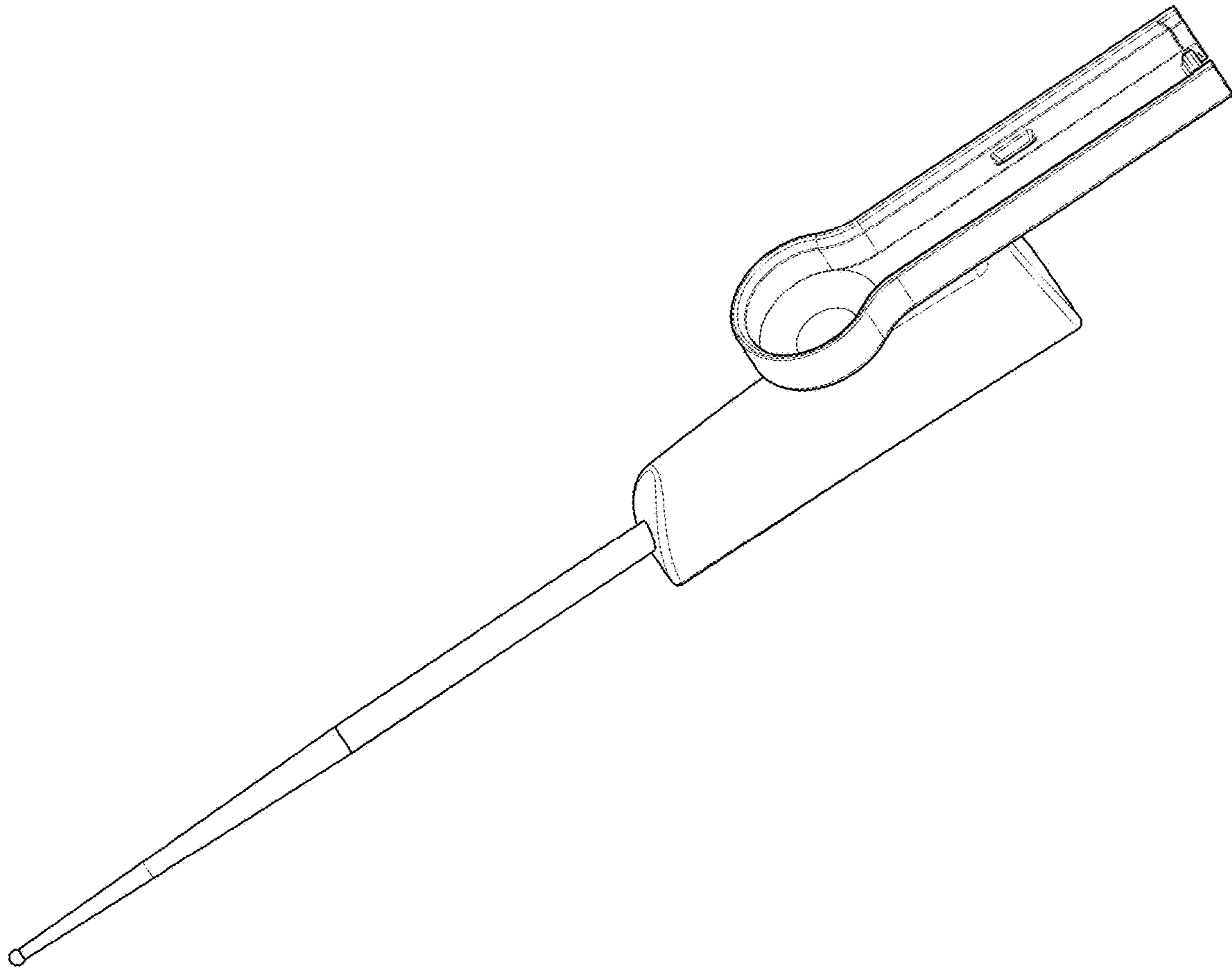


FIG. 5

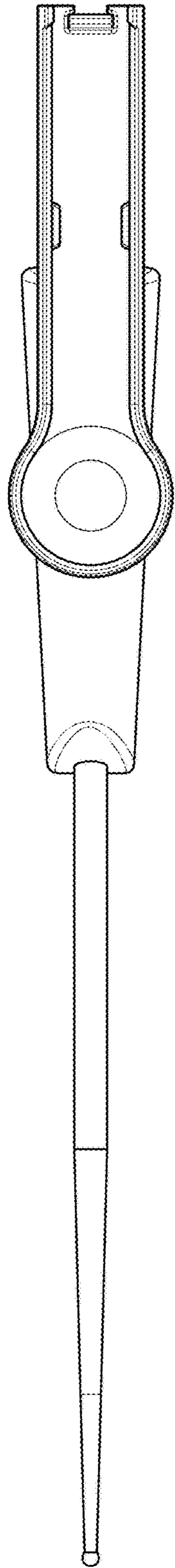


FIG. 6

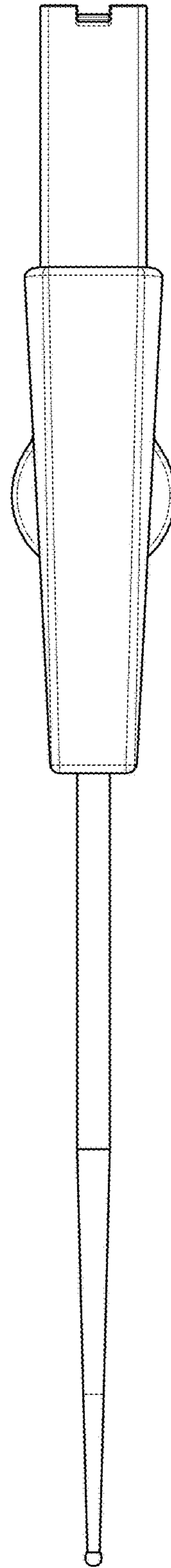


FIG. 7

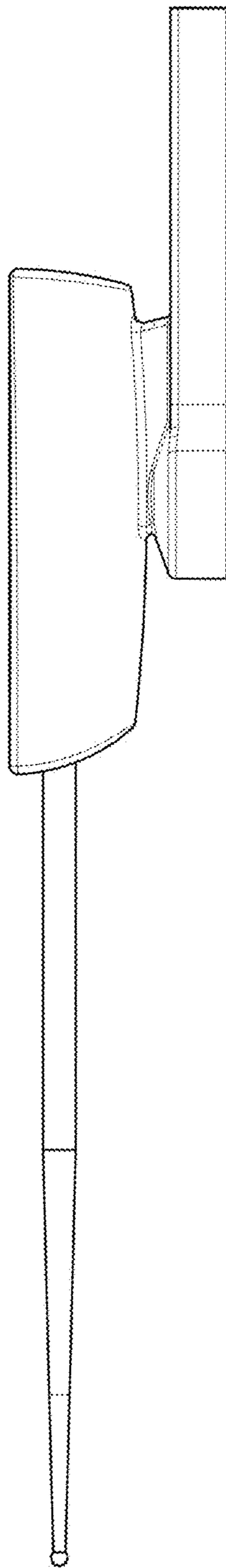


FIG. 8