



US00D838845S

(12) **United States Design Patent**
Sinharay et al.

(10) **Patent No.:** **US D838,845 S**
(45) **Date of Patent:** **** Jan. 22, 2019**

(54) **ULTRASOUND TIDAL BREATHING SENSOR PIPE**

(71) Applicant: **Tata Consultancy Services Limited,**
Maharashtra (IN)

(72) Inventors: **Arijit Sinharay,** West Bengal (IN);
Deb Kumar Ghosh, Kolkata (IN);
Sanjoy Debnath, West Bengal (IN);
Raj Rakshit, West Bengal (IN)

(73) Assignee: **TATA CONSULTANCY SERVICES LIMITED** (IN)

(**) Term: **15 Years**

(21) Appl. No.: **29/608,639**

(22) Filed: **Jun. 23, 2017**

(30) **Foreign Application Priority Data**

Feb. 7, 2017 (IN) 290674

(51) **LOC (11) Cl.** **24-01**

(52) **U.S. Cl.**
USPC **D24/129**

(58) **Field of Classification Search**

USPC D24/129, 112-114, 130, 104, 133, 186,
D24/108, 127; 606/181, 185; 604/264,
604/272, 115, 164.01-164.09, 533, 232,
604/187, 168.01, 192, 19, 48, 93.01, 523,
604/524, 526; 600/101, 139, 143;
128/200.24, 207.14, 207.15; 601/67

CPC G01F 1/74; G01F 1/7082; G01F 1/712;
G01N 2291/02836; G01N 2291/02872

See application file for complete search history.

(56) **References Cited**

U.S. PATENT DOCUMENTS

D266,695 S * 10/1982 Trammll D21/411
D297,367 S * 8/1988 Miyasaka D24/129

D307,183 S * 4/1990 Kalayjian D24/110
D313,849 S * 1/1991 Robinson D24/129
5,007,419 A * 4/1991 Weinstein A61M 15/009
128/200.14
5,056,514 A * 10/1991 DuPont A61B 7/023
128/204.23
5,181,508 A * 1/1993 Poole, Jr. A61M 16/0463
128/203.12
D357,735 S * 4/1995 McPhee D23/233
D374,076 S * 9/1996 Hillstead D24/112
5,919,174 A * 7/1999 Hanson A61M 16/0463
251/320
5,921,968 A * 7/1999 Lampropoulos .. A61M 39/0613
604/167.05
6,117,114 A * 9/2000 Paradis A61M 39/045
604/246
D431,634 S * 10/2000 Mantz D23/263
D482,447 S * 11/2003 Harding D24/129
D492,030 S * 6/2004 Rani D24/129
D506,828 S * 6/2005 Layne D24/129

(Continued)

Primary Examiner — David G Muller

Assistant Examiner — Nathan M Johnston

(74) *Attorney, Agent, or Firm* — Hayes Soloway P.C.

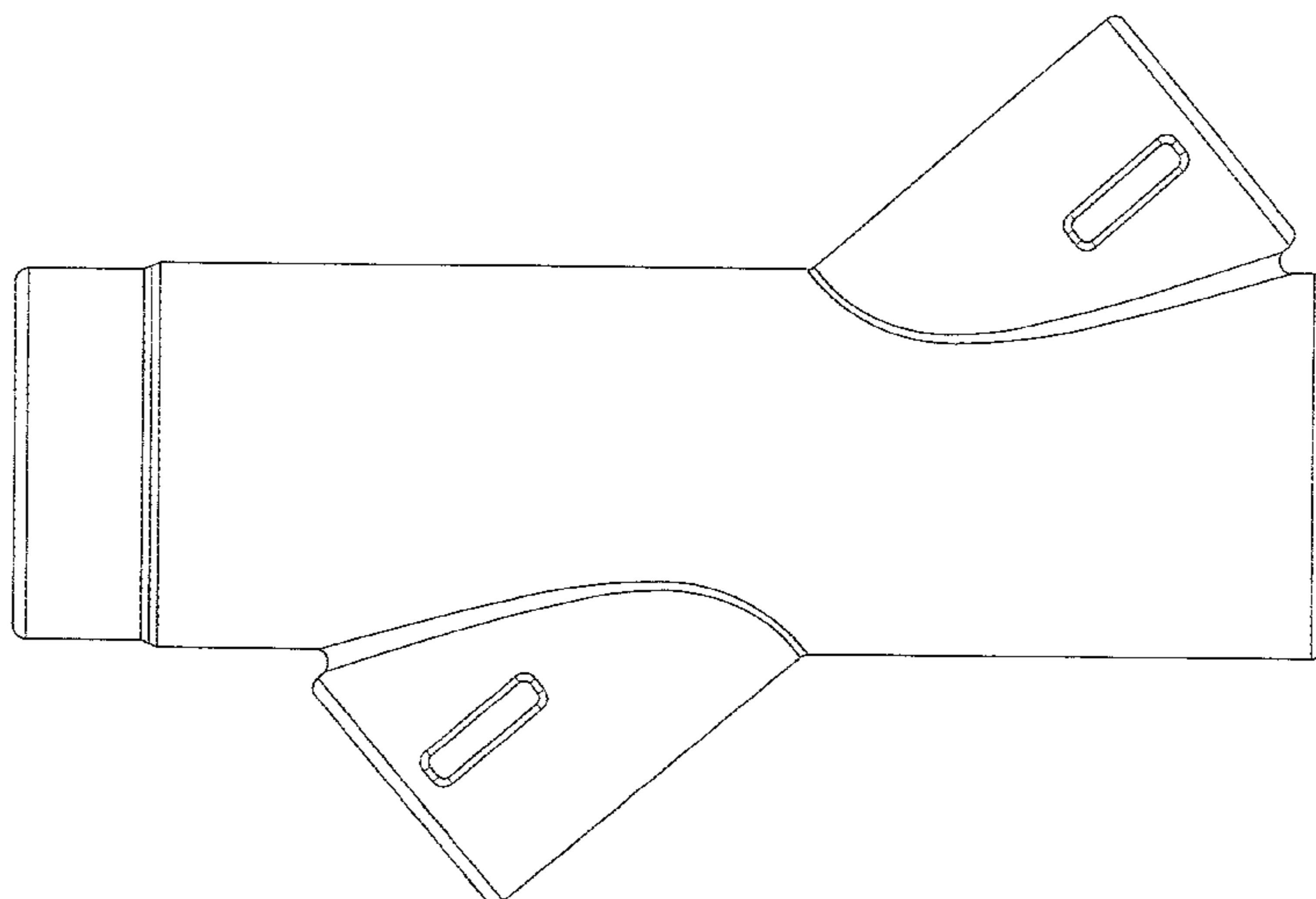
(57) **CLAIM**

We claim the ornamental design for an ultrasound tidal breathing sensor pipe, as shown and described.

DESCRIPTION

FIG. 1 is a front view of an ultrasound tidal breathing sensor pipe showing our new design;
FIG. 2 is a rear elevation view thereof;
FIG. 3 is a top plan view thereof;
FIG. 4 is a bottom plan view thereof;
FIG. 5 is a right side elevation view thereof; and,
FIG. 6 is a left side elevation view thereof.
The broken lines shown in the drawings depict portions of the article that form no part of the claimed design.

1 Claim, 6 Drawing Sheets



(56)

References Cited

U.S. PATENT DOCUMENTS

6,929,003 B2 *	8/2005	Blacker	A61M 11/06 128/203.12	D720,850 S *	1/2015	Hsia	D24/130
7,226,433 B2 *	6/2007	Bonnette	A61B 17/22 604/164.01	D733,292 S *	6/2015	Rogers	D24/129
D638,931 S *	5/2011	Graham	A61M 16/0463 D24/127	D773,645 S *	12/2016	Lee	D24/110
D672,037 S *	12/2012	Miller	D24/129	2002/0077606 A1 *	6/2002	Trotta	A61L 29/049 604/264
D673,673 S *	1/2013	Wang	D24/129	2003/0150445 A1 *	8/2003	Power	A61M 15/0085 128/200.14
8,444,627 B2 *	5/2013	Brewer	A61M 16/0463 128/200.24	2009/0043324 A1 *	2/2009	Paschal	A61B 5/1411 606/181
D691,717 S *	10/2013	McLean	D24/110.6	2009/0163891 A1 *	6/2009	Ewing	A61M 25/1034 604/526
D707,355 S *	6/2014	Bow	D24/129	2009/0229601 A1 *	9/2009	Aguilar	A61M 16/0488 128/200.26
8,777,930 B2 *	7/2014	Swisher	A61M 39/10 604/284	2013/0331692 A1 *	12/2013	Mouri	A61M 39/10 600/435
D712,027 S *	8/2014	Zerwic	D24/129	2015/0021909 A1 *	1/2015	Gulliver	A61M 16/0666 285/319
D715,921 S *	10/2014	Wan	D24/112	2016/0067391 A1 *	3/2016	Real	A61B 17/3421 604/543
D718,441 S *	11/2014	Carus	D24/133				

* cited by examiner

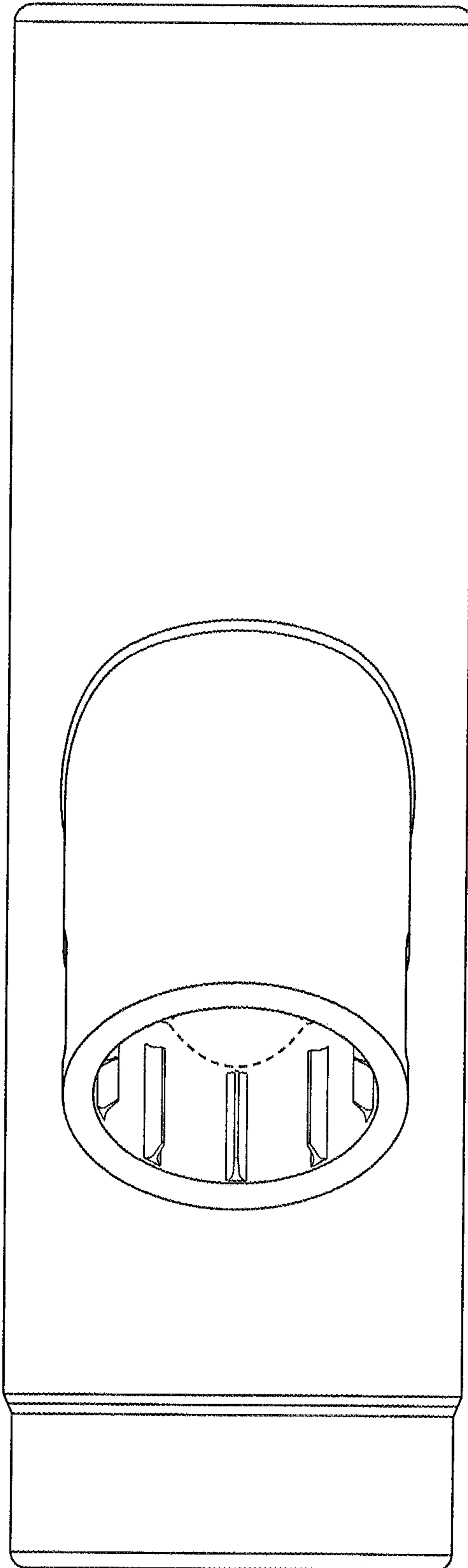


FIG. 1

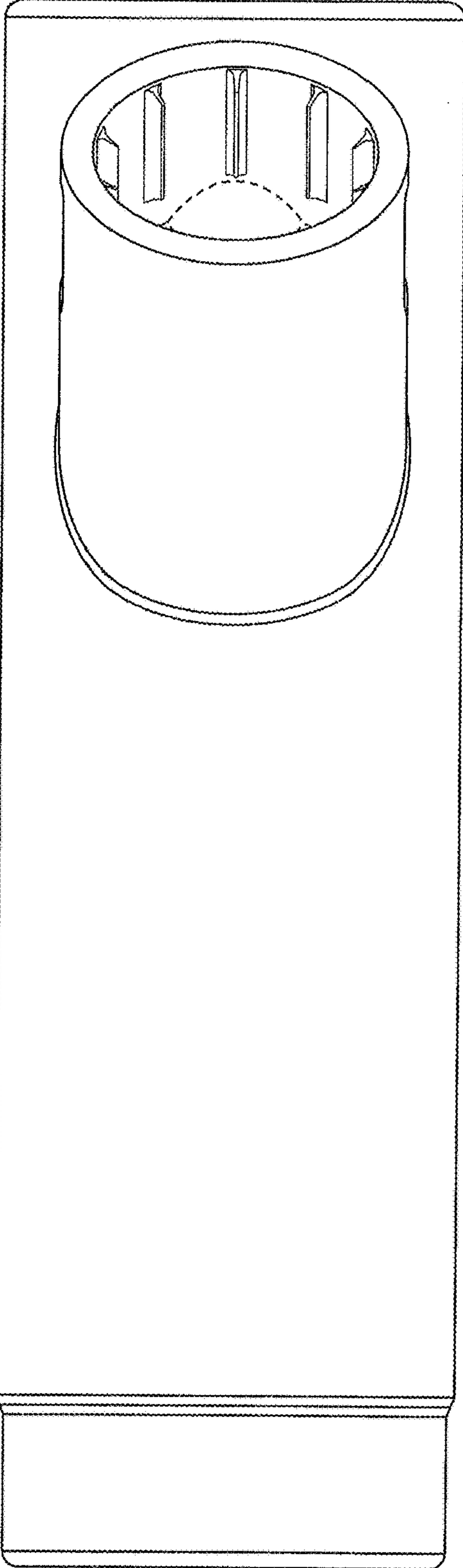


FIG. 2

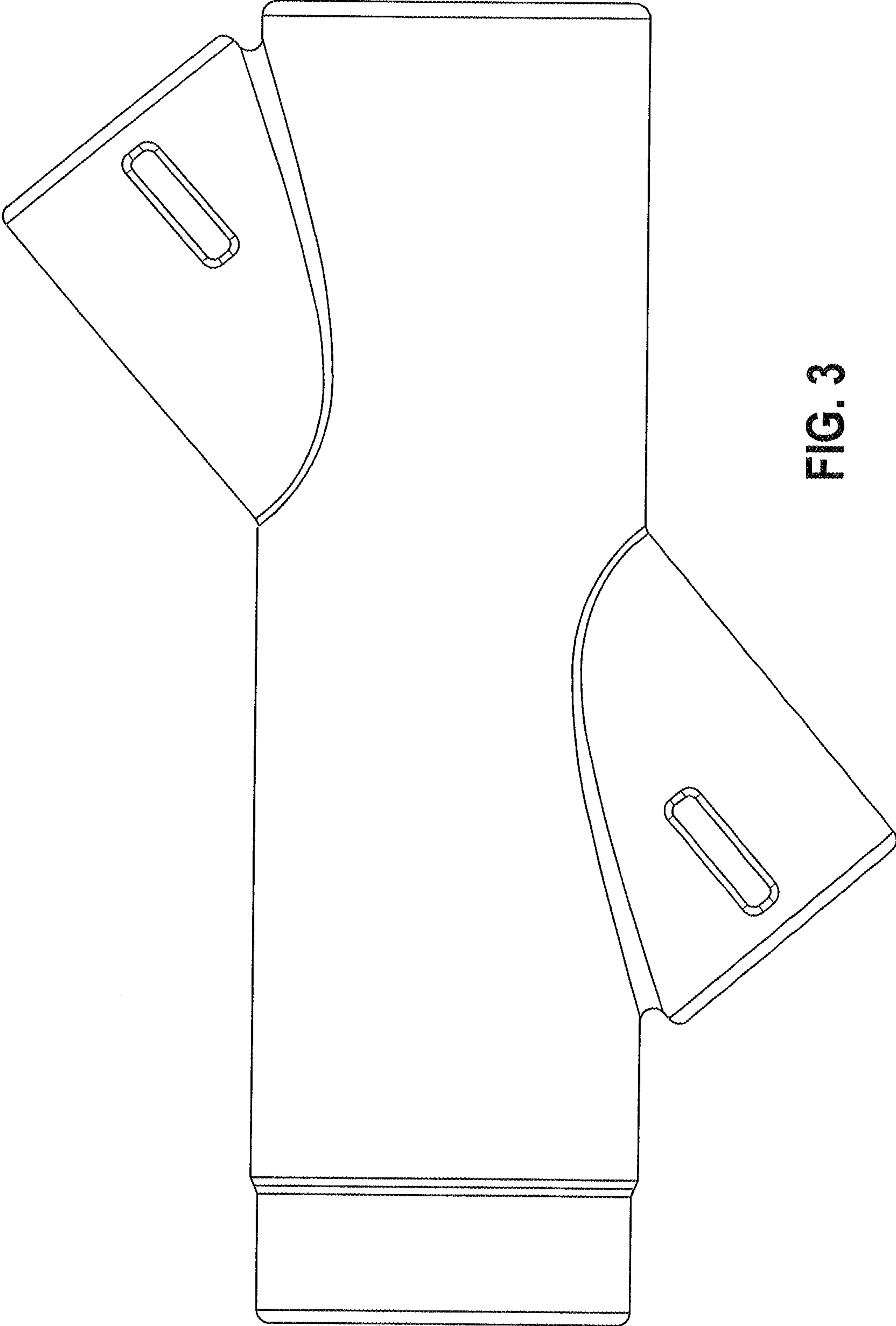


FIG. 3

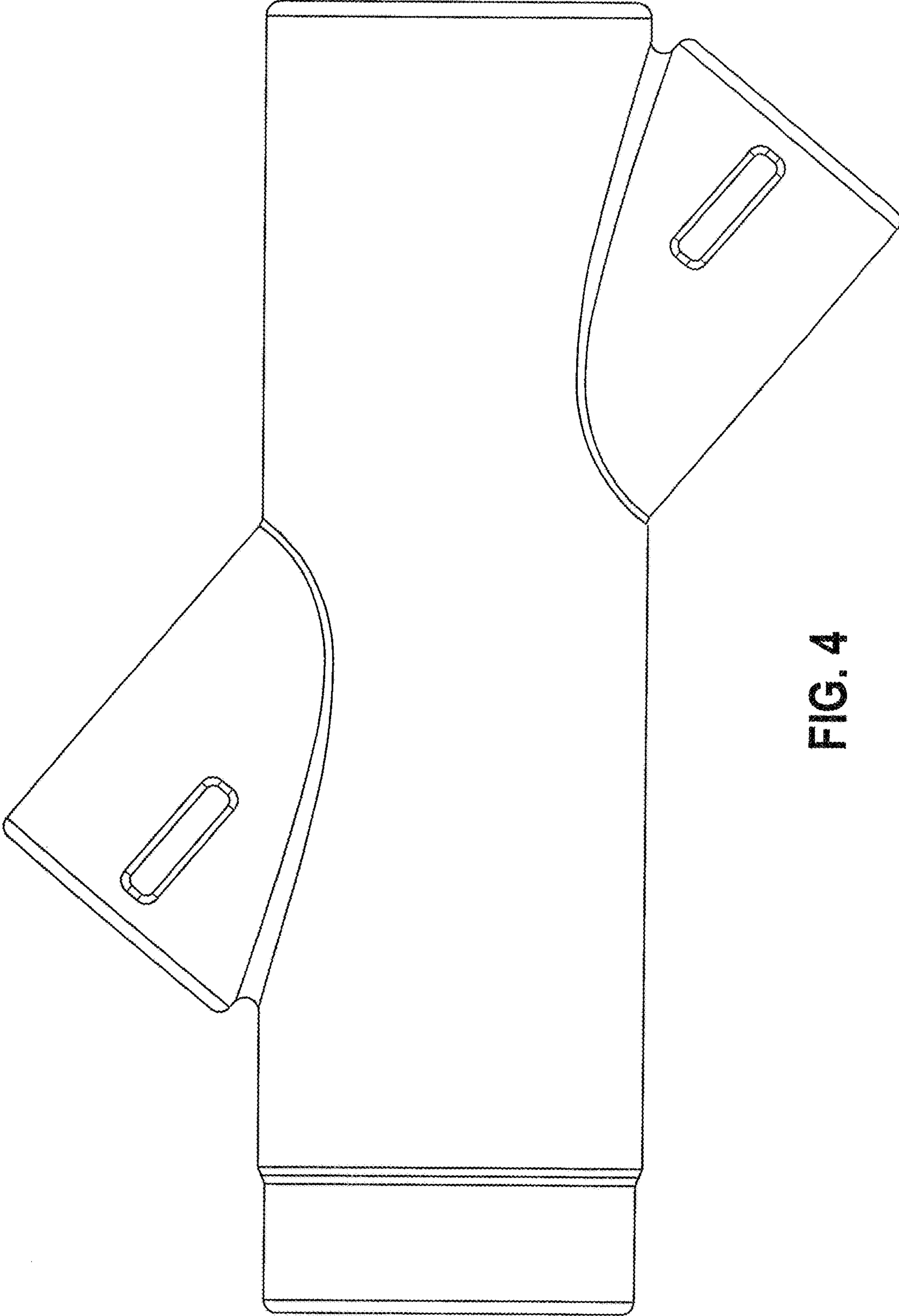


FIG. 4

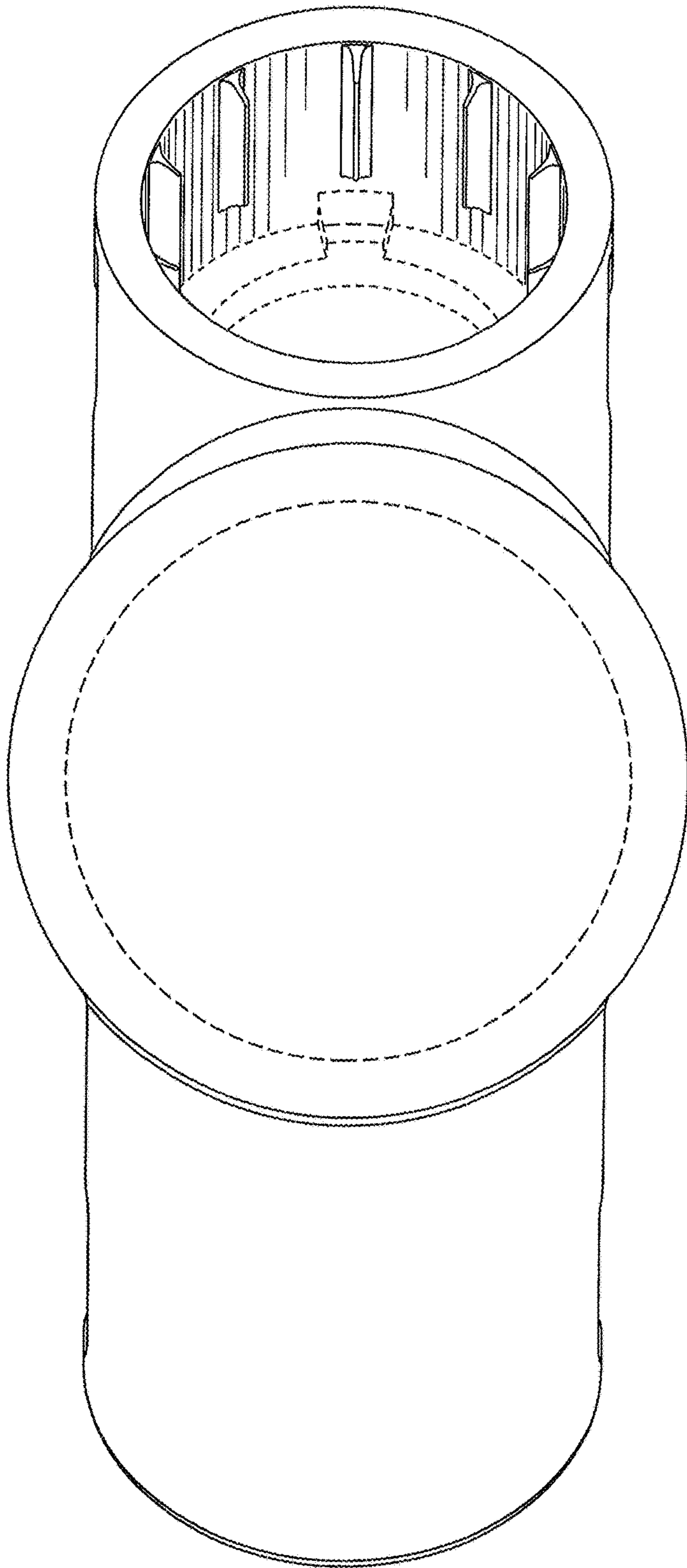


FIG. 5

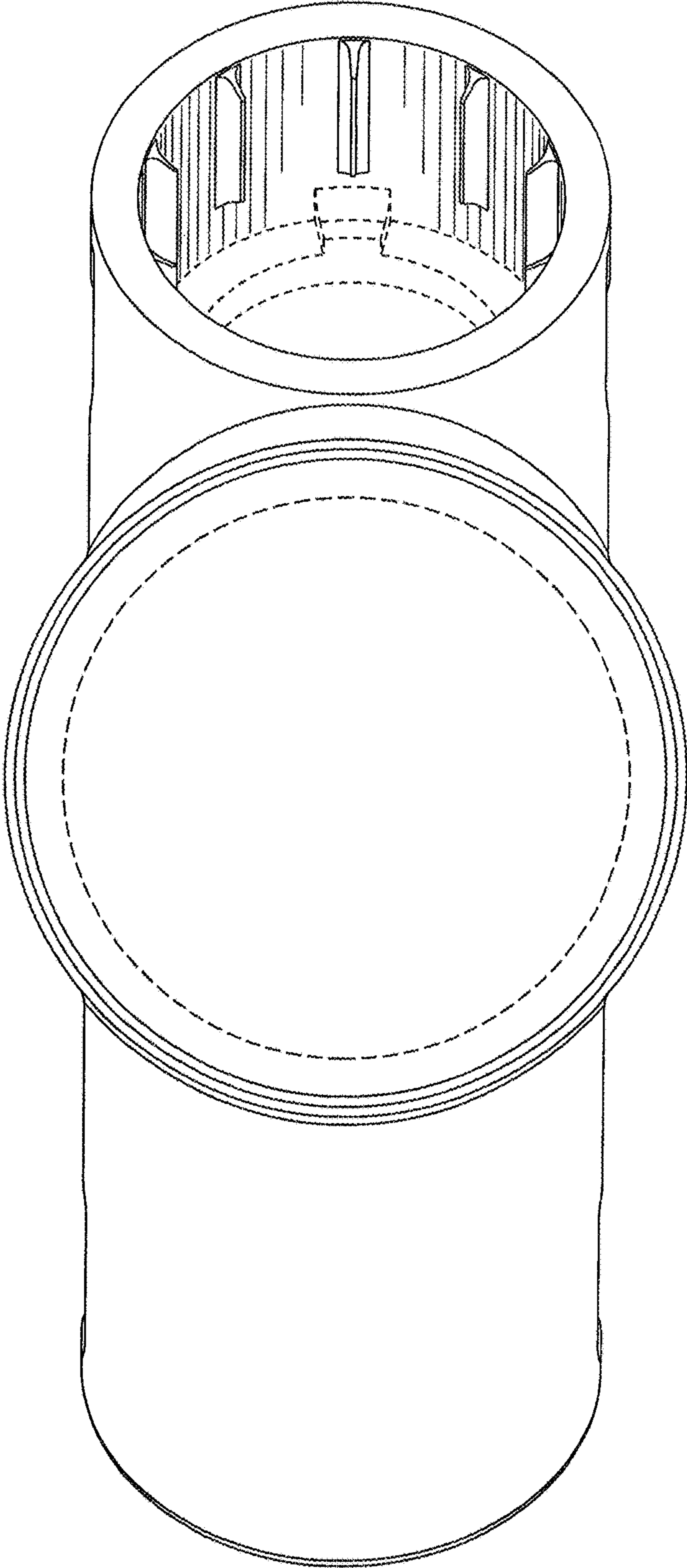


FIG. 6

UNITED STATES PATENT AND TRADEMARK OFFICE
CERTIFICATE OF CORRECTION

PATENT NO. : D838,845 S
APPLICATION NO. : 29/608639
DATED : January 22, 2019
INVENTOR(S) : Arijit Sinharay et al.

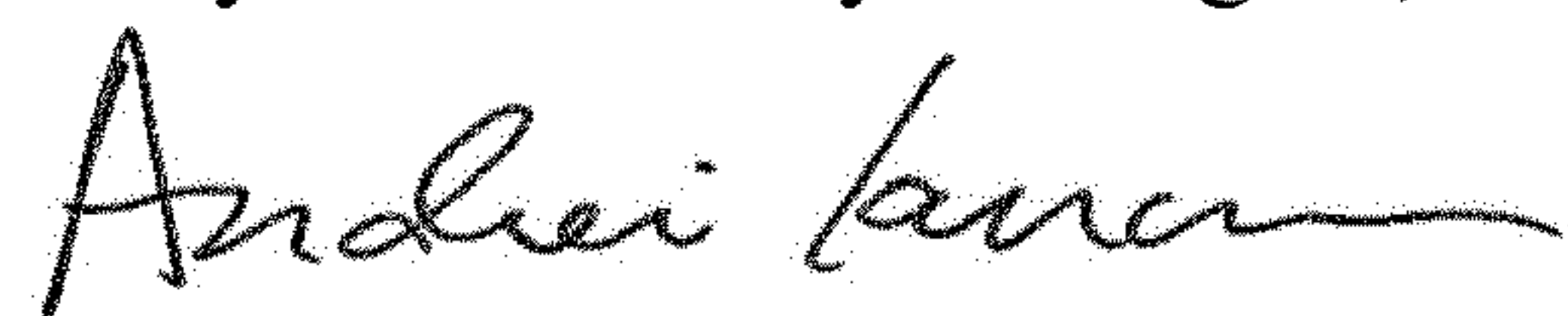
Page 1 of 1

It is certified that error appears in the above-identified patent and that said Letters Patent is hereby corrected as shown below:

On the Title Page

Item (73) Assignee: "TATA CONSULTANCY SERVICES LIMITED" should read --TATA
CONSULTANCY SERVICES LIMITED--.

Signed and Sealed this
Twenty-seventh Day of August, 2019



Andrei Iancu
Director of the United States Patent and Trademark Office