



US00D838844S

(12) **United States Design Patent**
Svanegaard

(10) **Patent No.:** **US D838,844 S**
(45) **Date of Patent:** **** Jan. 22, 2019**

(54) **CATHETER**

FOREIGN PATENT DOCUMENTS

(71) Applicant: **Coloplast A/S**, Humlebaek (DK)

EP 2106821 A1 10/2009
GB 1399435 A 7/1975

(72) Inventor: **Mads Hindhede Svanegaard**,
Bagsvaerd (DK)

(Continued)

(73) Assignee: **Coloplast A/S**, Humlebaek (DK)

Primary Examiner — Abraham Bahta

(**) Term: **15 Years**

(74) *Attorney, Agent, or Firm* — Coloplast Corp.,
Coloplast A/S; Nick Baumann

(21) Appl. No.: **29/624,548**

(57) **CLAIM**

(22) Filed: **Nov. 2, 2017**

The ornamental design for a catheter, as shown and described.

DESCRIPTION

Related U.S. Application Data

(62) Division of application No. 29/564,291, filed on May 12, 2016, now Pat. No. Des. 806,561.

(51) **LOC (11) Cl.** **24-04**

(52) **U.S. Cl.**
USPC **D24/122**

(58) **Field of Classification Search**
USPC 206/571, 219; 604/328, 346, 327, 329,
604/330, 408, 317, 349, 265, 171, 262,
604/414, 415; D9/702-714, 414, 424,
D9/426, 430-432; D24/118, 122;
4/144.4; 128/DIG. 24
CPC .. A61M 25/00; A61M 25/002; A61M 25/065;
A61M 25/0102; B65D 65/00; B65D
65/02; B65D 65/10; B65D 65/38; B65D
81/00; B65D 81/02; B65D 81/36
See application file for complete search history.

FIG. 1 is a perspective view of the catheter with the connector in a connected condition showing the new design; FIG. 2 is a front elevation view thereof; FIG. 3 is a back elevation view thereof; FIG. 4 is a left side elevation view thereof; FIG. 5 is a right side elevation view thereof; FIG. 6 is a top plan view thereof; FIG. 7 is a bottom plan view thereof; FIG. 8 is a perspective view of the catheter with the connector in an unconnected condition; FIG. 9 is a front elevation view thereof; FIG. 10 is a back elevation view thereof; FIG. 11 is a left side elevation view thereof; FIG. 12 is a right side elevation view thereof; FIG. 13 is a top plan view thereof; FIG. 14 is a bottom plan view thereof; and, FIG. 15 is another perspective view thereof. In FIG. 1 the broken lines illustrate a package for containing a catheter and form no part of the claimed design. In FIGS. 8-10, 12, and 15 a catheter portion is illustrated in broken lines that form no part of the claimed design. In FIGS. 1-3, 5, 8-10, 12, and 15 a directional indicator formed on a connector is illustrated in broken lines that form no part of the claimed design.

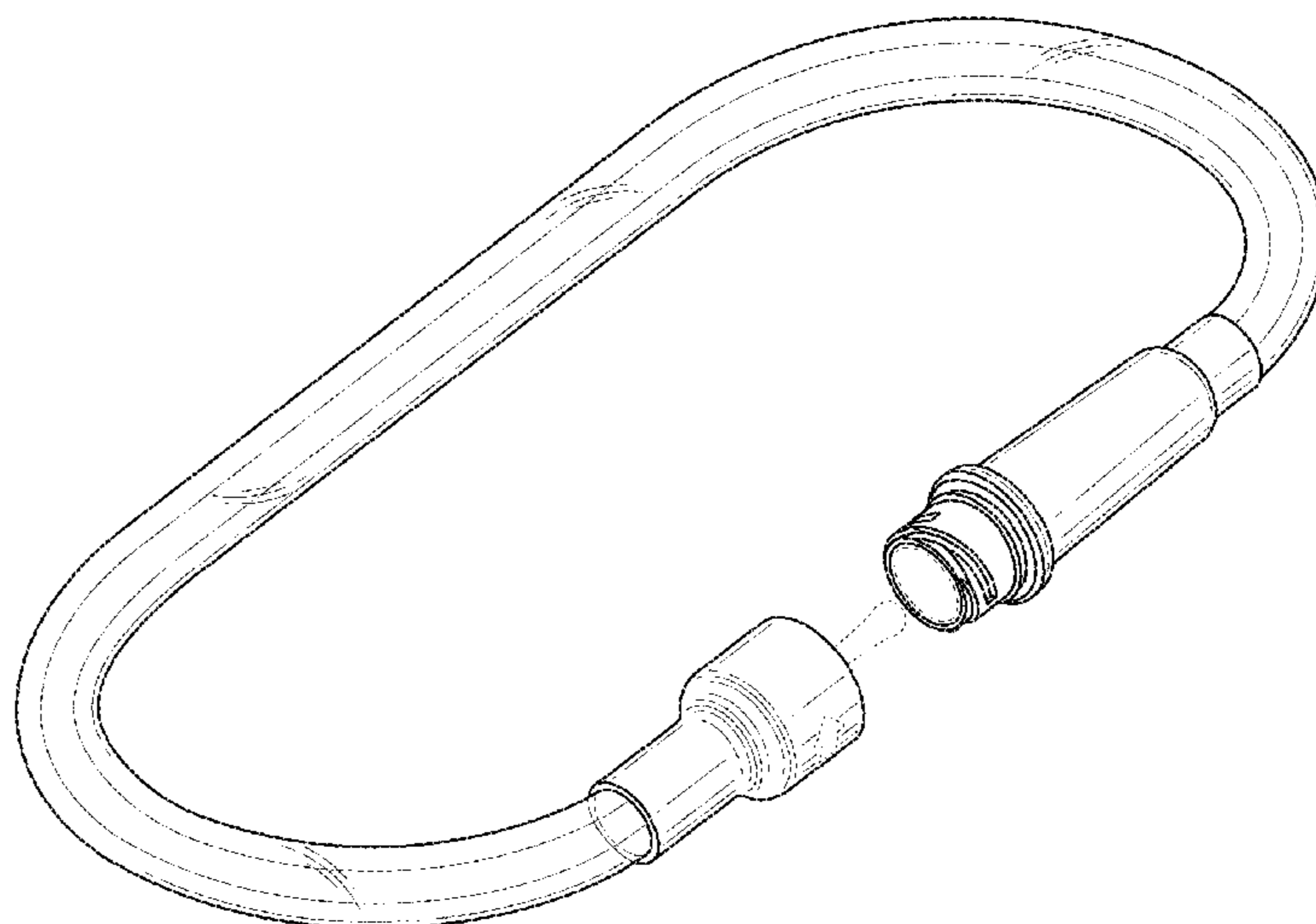
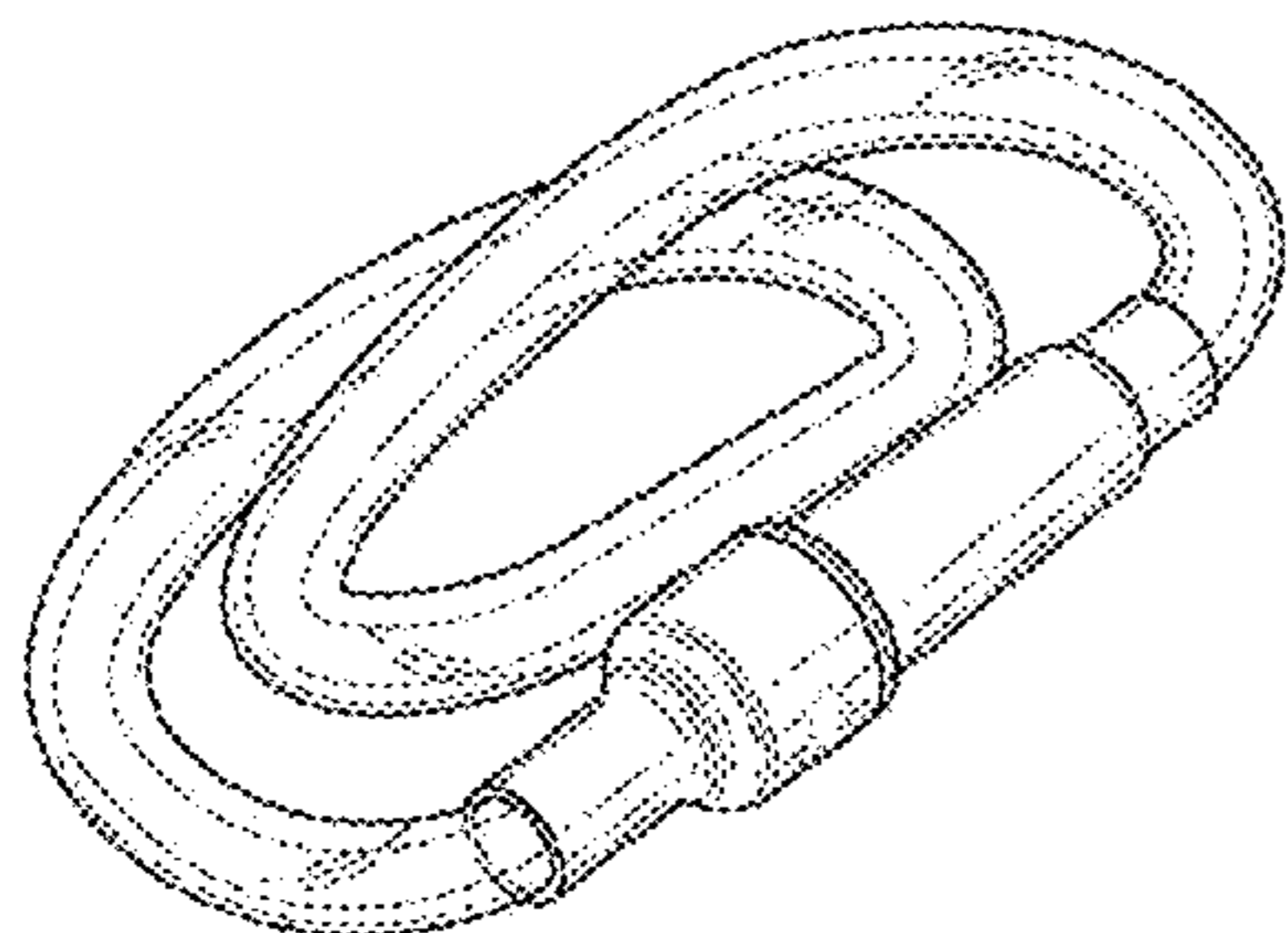
(56) **References Cited**

U.S. PATENT DOCUMENTS

3,854,483 A 12/1974 Powers
D252,470 S * 7/1979 Pawlak 604/129
4,170,996 A 10/1979 Wu

(Continued)

1 Claim, 15 Drawing Sheets



(56)

References Cited

U.S. PATENT DOCUMENTS

D315,411 S * 3/1991 Reif D24/112
 5,454,798 A 10/1995 Kubalak et al.
 5,531,723 A 7/1996 Solazzo
 5,645,048 A 7/1997 Brodsky et al.
 5,895,374 A 4/1999 Roedsten
 6,065,597 A 5/2000 Pettersson et al.
 6,090,075 A 7/2000 House
 6,634,498 B2 10/2003 Kayeroed et al.
 D499,335 S * 12/2004 Nestenborg D24/112
 D508,128 S 8/2005 Kubalak et al.
 7,311,698 B2 12/2007 Tanghoj et al.
 7,316,128 B1 1/2008 Dargusch
 7,380,658 B2 6/2008 Murray et al.
 D617,448 S * 6/2010 Singh D24/112
 D622,379 S * 8/2010 Singh D24/130
 7,886,907 B2 2/2011 Murray et al.
 8,011,505 B2 9/2011 Murray et al.
 D657,056 S * 4/2012 Burgess D24/129
 8,205,745 B2 6/2012 Murray et al.
 D667,106 S * 9/2012 Puhasmagi D24/112
 8,317,775 B2 11/2012 House
 D699,841 S * 2/2014 Lombardi, III D24/129
 8,720,685 B2 5/2014 Murray et al.
 D712,557 S * 9/2014 Gatti D24/192

8,888,747 B2 11/2014 House
 9,072,862 B2 7/2015 Murray et al.
 D746,152 S 12/2015 Murray et al.
 D752,452 S 3/2016 Kearns et al.
 D764,943 S 8/2016 Murray et al.
 D773,659 S * 12/2016 Cain D24/129
 D784,528 S * 4/2017 Burgess D24/129
 D785,790 S * 5/2017 Lewis D24/129
 D798,448 S * 9/2017 Marchal D24/138
 2002/0144920 A1 10/2002 Samuels
 2011/0230864 A1 9/2011 House
 2013/0226154 A1 8/2013 House
 2015/0182724 A1 7/2015 Tanghoj et al.

FOREIGN PATENT DOCUMENTS

GB 2007507 A1 5/1979
 WO 9529852 A1 11/1995
 WO 0047494 A1 8/2000
 WO 03002178 A2 1/2003
 WO 2007106431 A2 9/2007
 WO 2013049733 A2 4/2013
 WO 2014142895 A1 9/2014
 WO 2014142917 A1 9/2014
 WO 2014165046 A1 10/2014

* cited by examiner

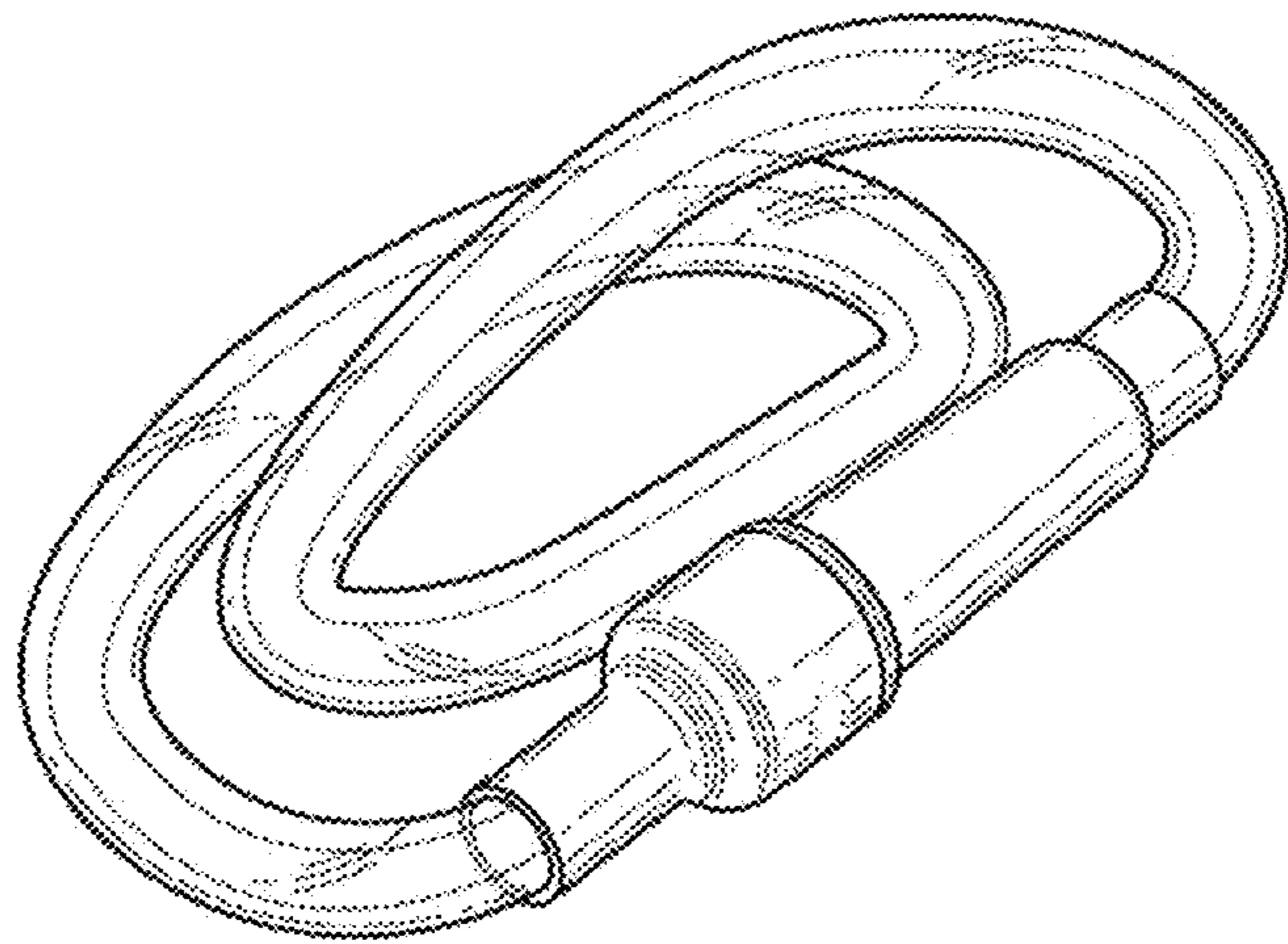


Fig. 1

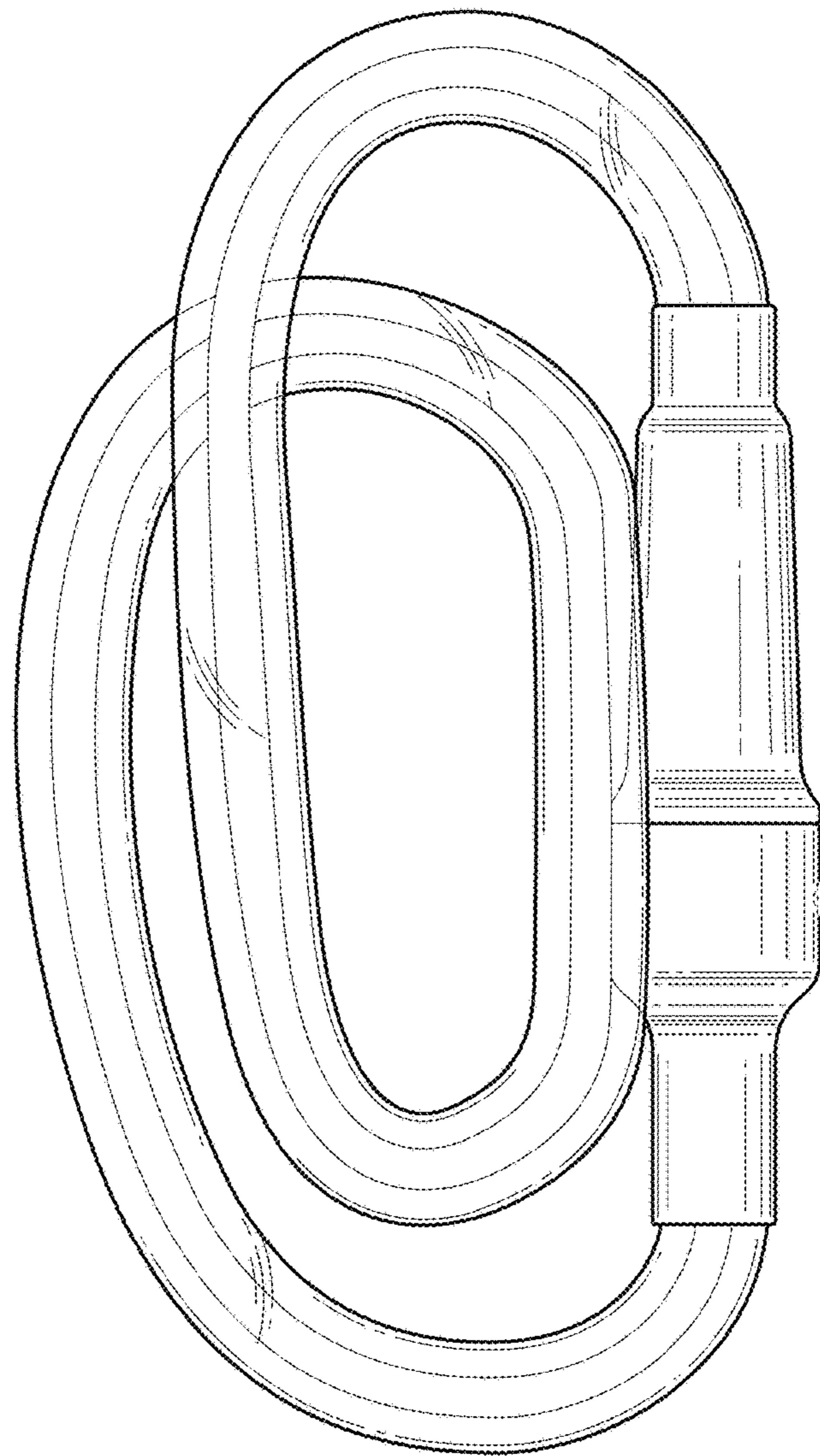


Fig. 2

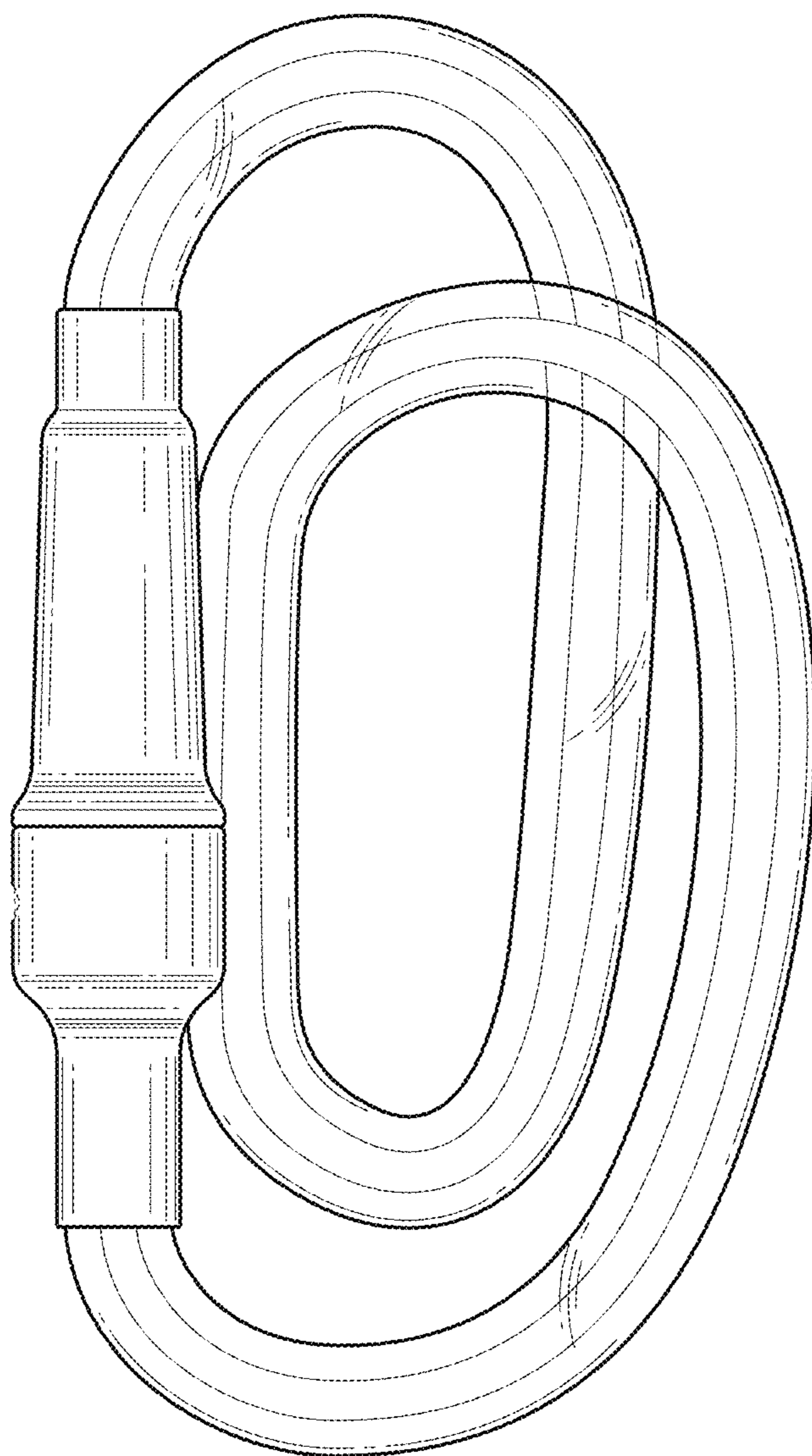


Fig. 3

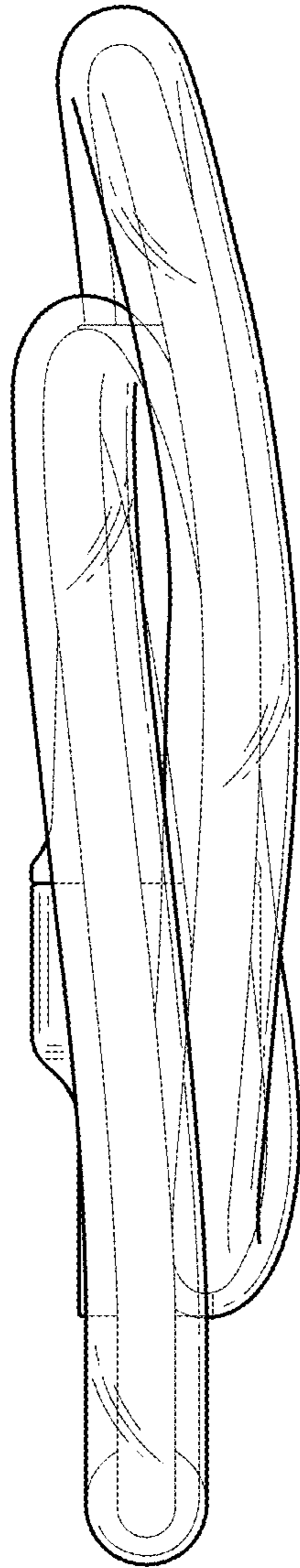


Fig. 4

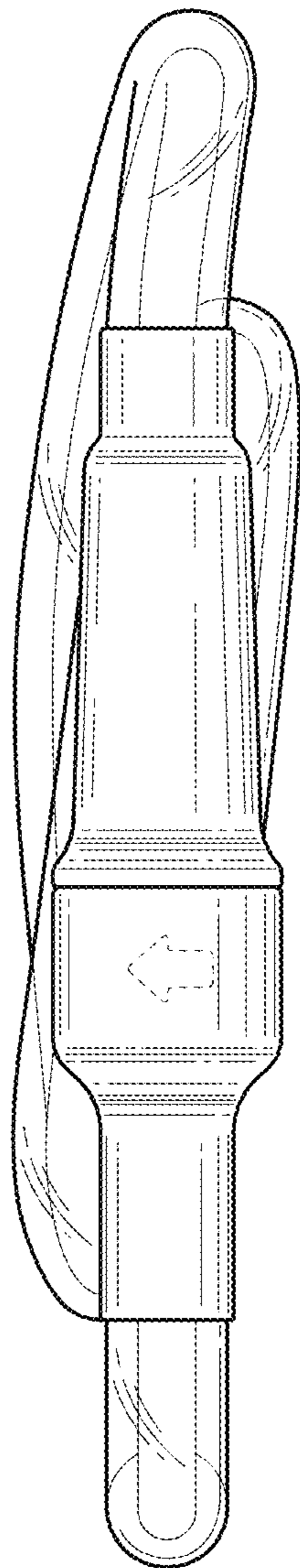


Fig. 5

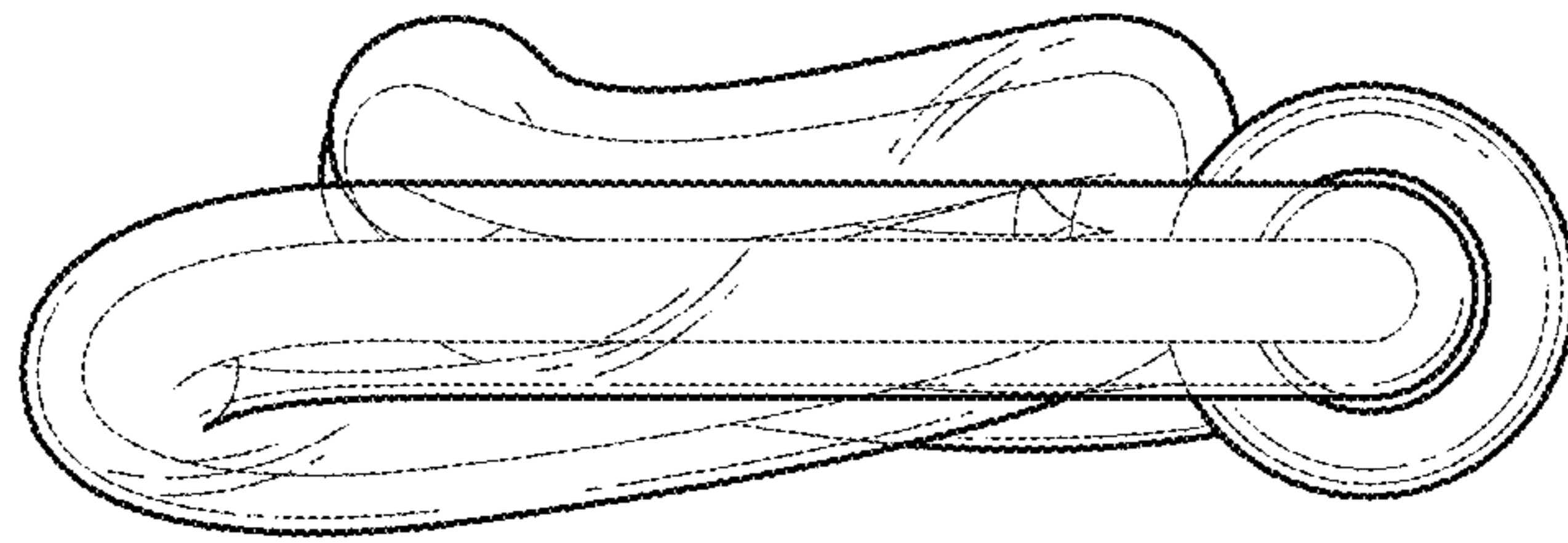


Fig. 6

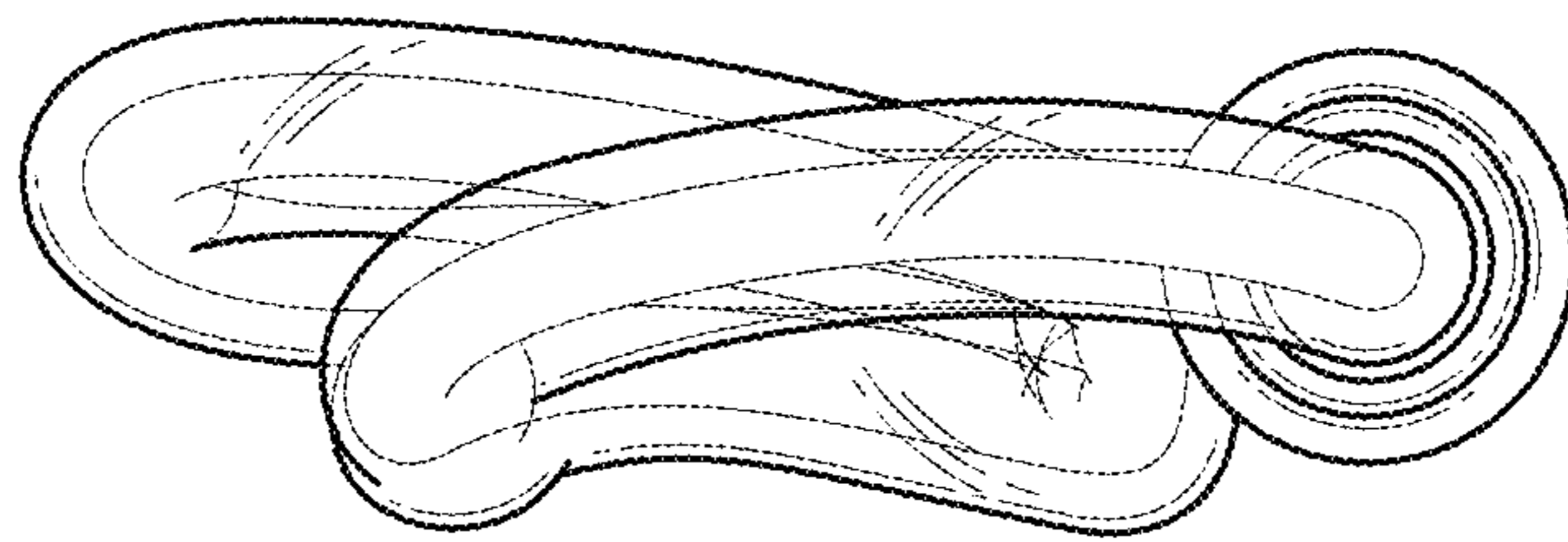


Fig. 7

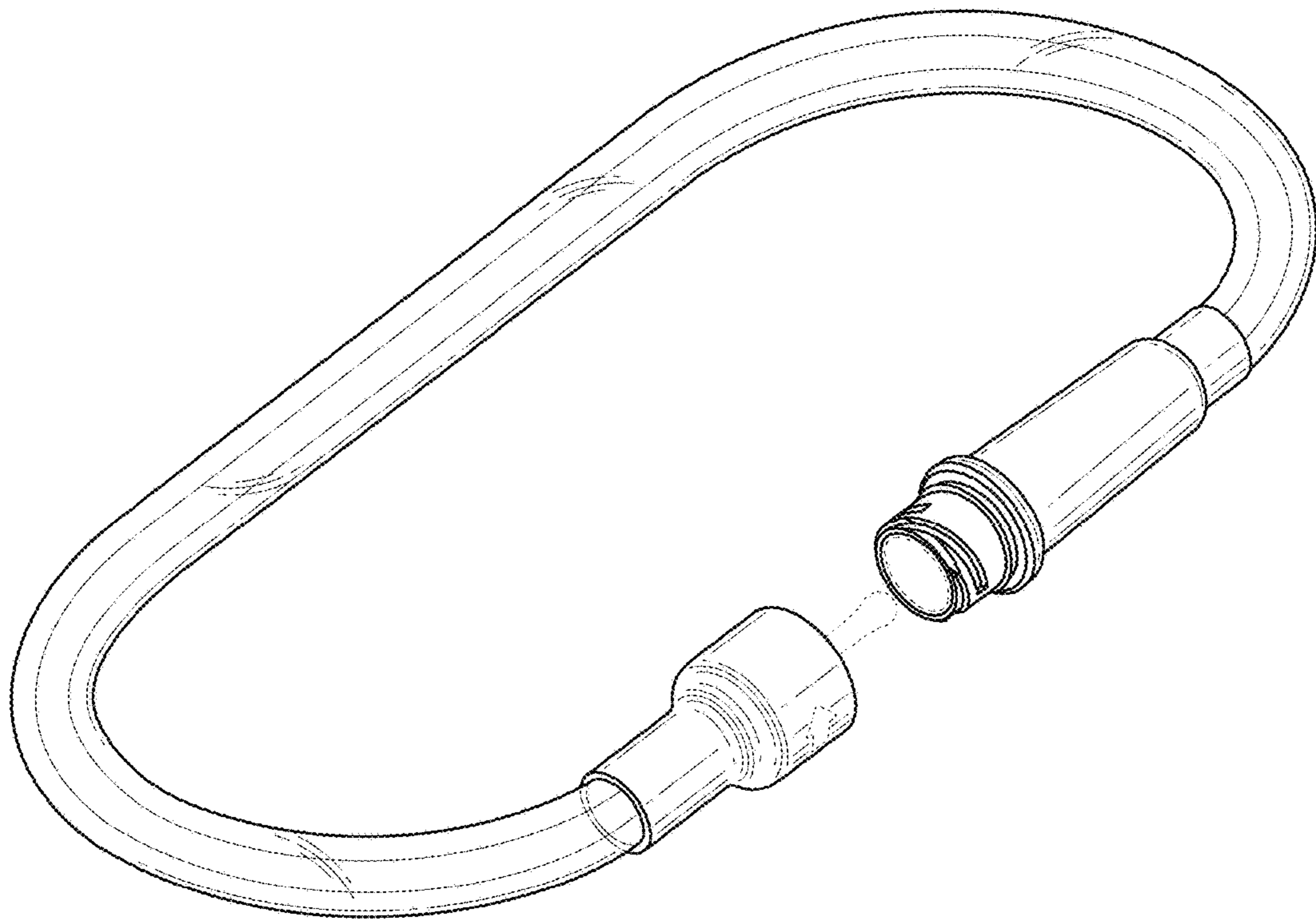


Fig. 8

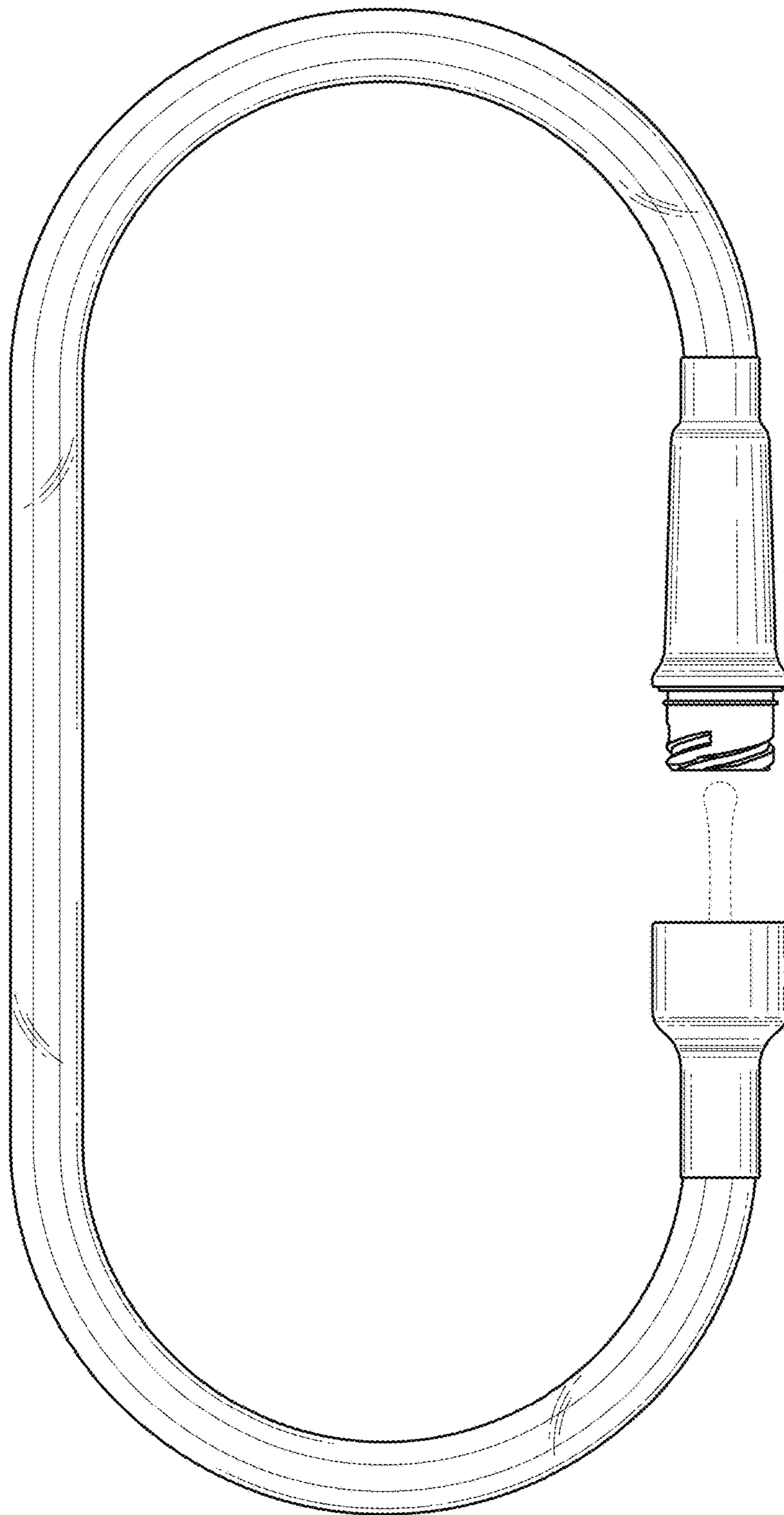


Fig. 9

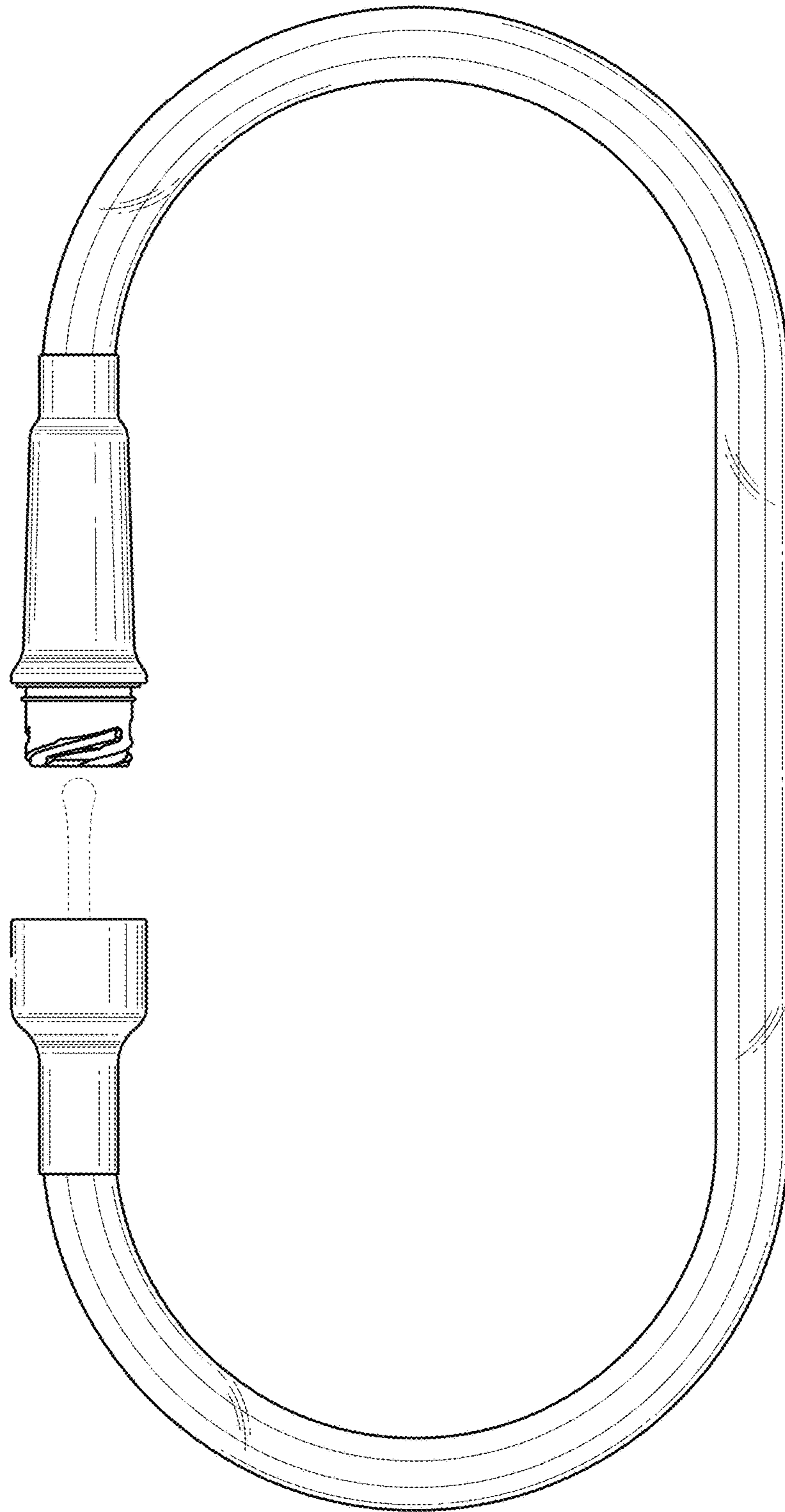


Fig. 10

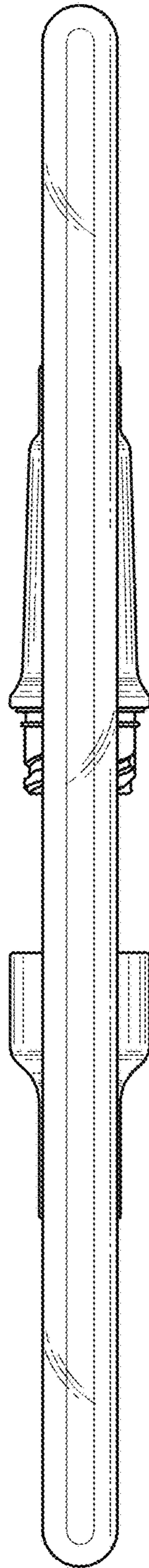


Fig. 11

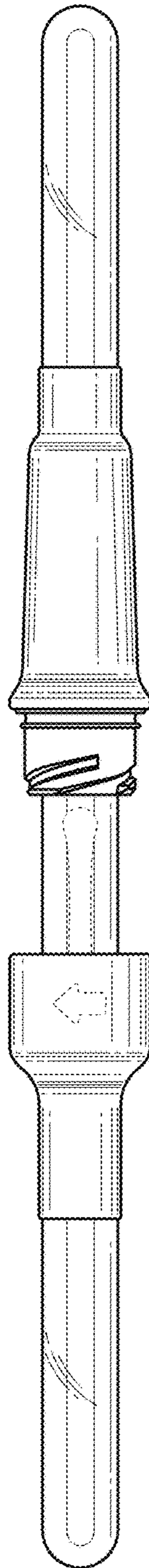


Fig. 12

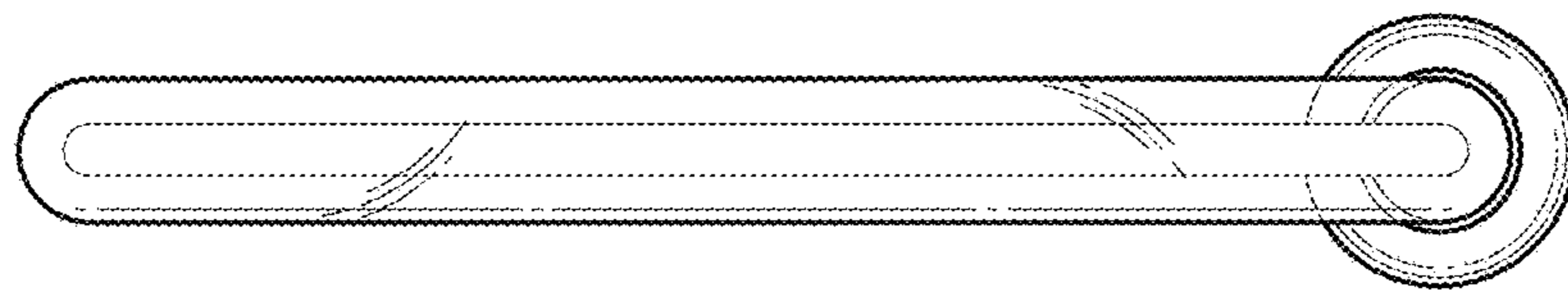


Fig. 13

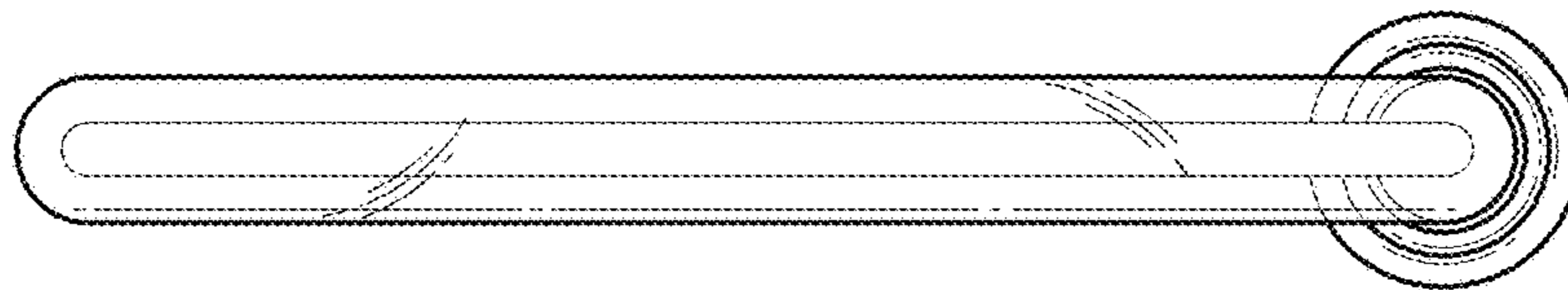


Fig. 14

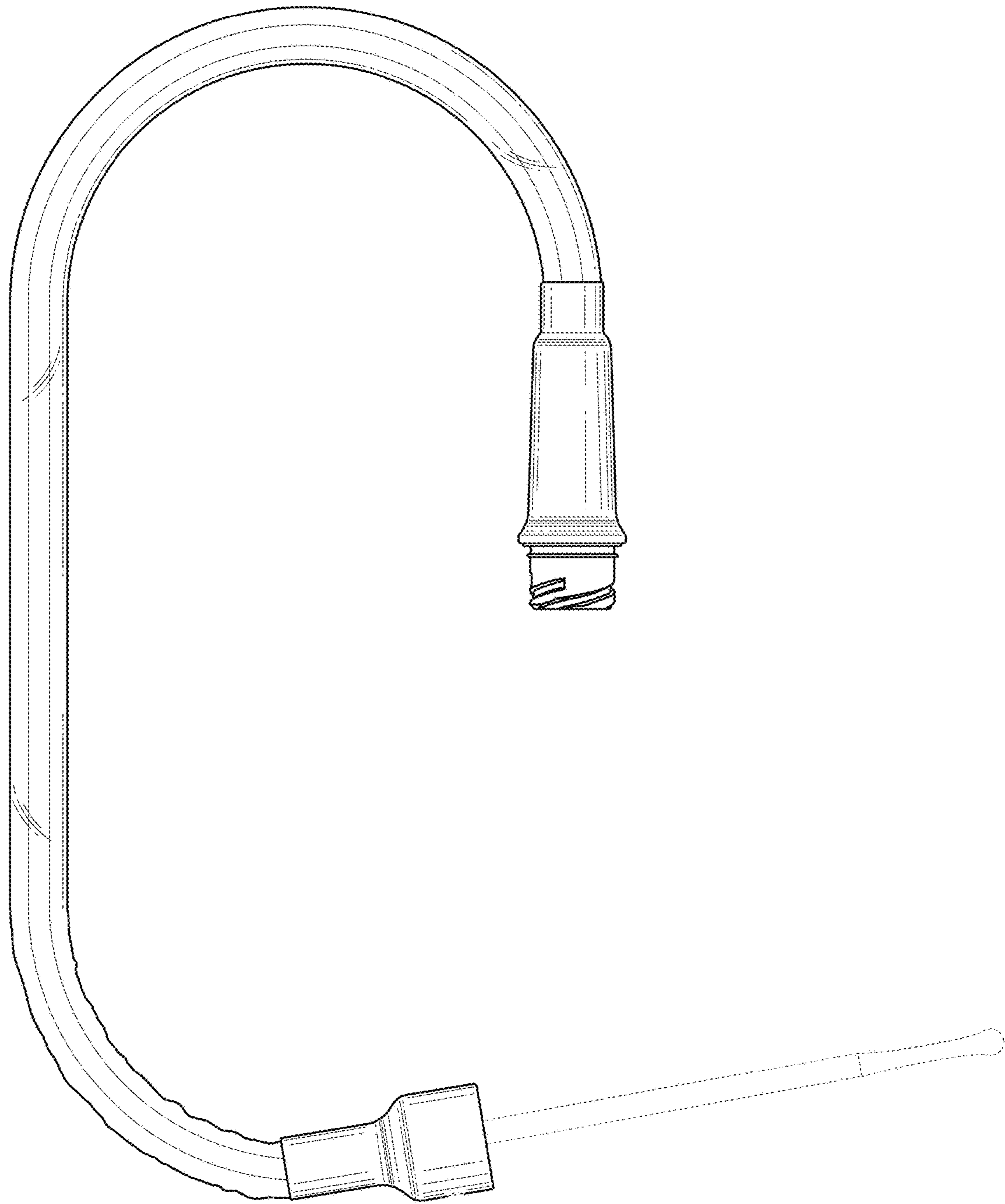


Fig. 15