



US00D838842S

(12) **United States Design Patent** (10) **Patent No.:** **US D838,842 S**  
**Shaw et al.** (45) **Date of Patent:** **\*\* Jan. 22, 2019**

- (54) **SYRINGE WITH BARREL HAVING FLAT TOP AND BOTTOM SURFACE PORTIONS**
- (71) Applicants: **Retractable Technologies, Inc.**, Little Elm, TX (US); **Thomas J. Shaw**, Frisco, TX (US)
- (72) Inventors: **Thomas J. Shaw**, Frisco, TX (US); **Mark Small**, Heavener, OK (US); **Ni Zhu**, Plano, TX (US)
- (73) Assignee: **Retractable Technologies, Inc.**, Little Elm, TX (US)
- (\*\*) Term: **15 Years**
- (21) Appl. No.: **29/642,457**
- (22) Filed: **Mar. 29, 2018**
- (51) **LOC (11) Cl.** ..... **24-02**
- (52) **U.S. Cl.**  
USPC ..... **D24/114**
- (58) **Field of Classification Search**  
USPC ..... D24/112-114, 108, 133, 130, 127, 186; 606/181, 185; 604/264, 272, 187, 181, 604/184, 227  
CPC ..... A61M 5/178; A61M 3/00; A61M 5/20; A61M 5/31; A61M 5/3146; A61M 5/3129; A61M 5/3148; A61M 5/315  
See application file for complete search history.

- (56) **References Cited**  
U.S. PATENT DOCUMENTS  
5,049,133 A 9/1991 Villen Pascual  
5,053,010 A 10/1991 McGary et al.  
5,084,018 A 1/1992 Tsao  
6,090,077 A 7/2000 Shaw

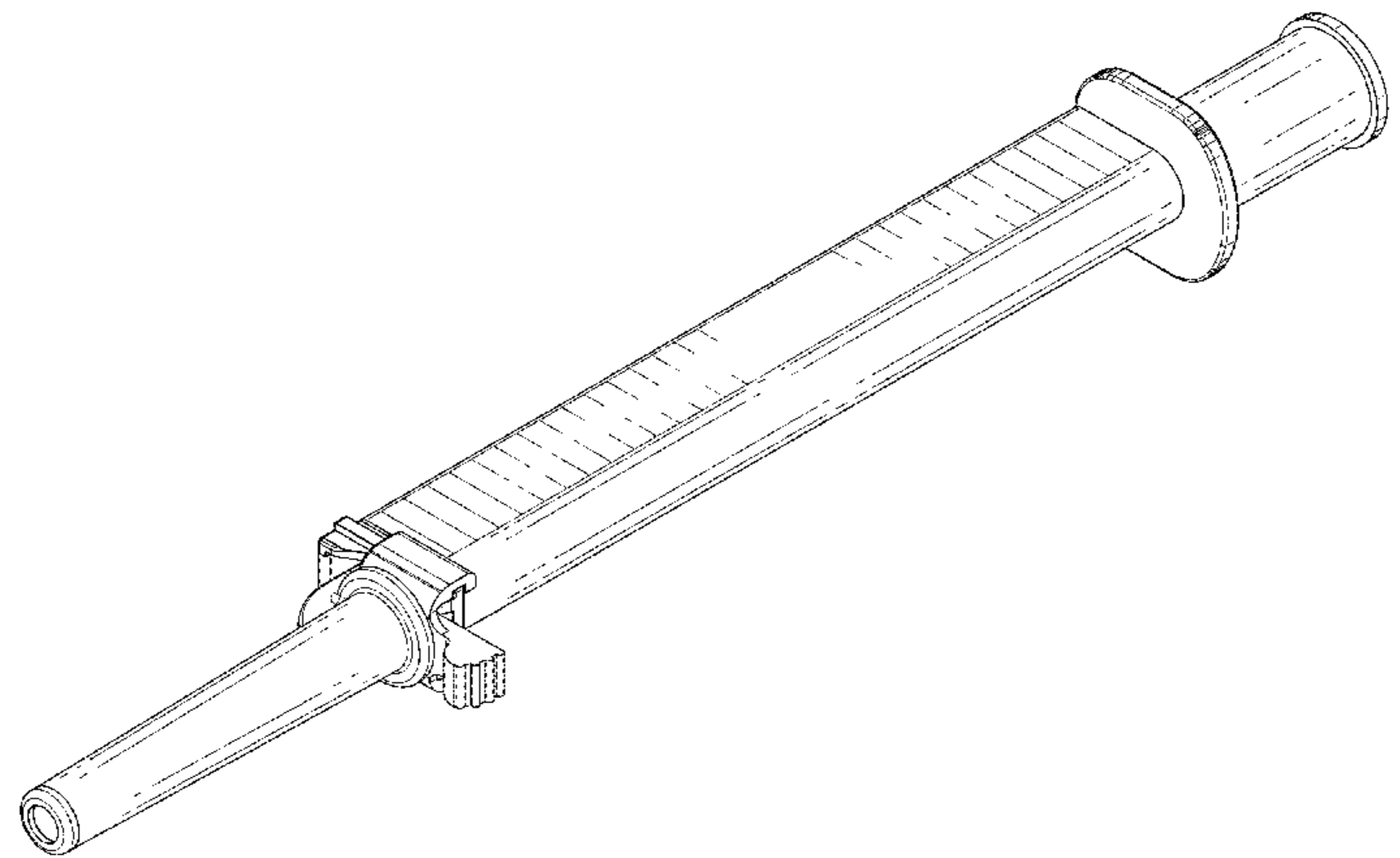
- D601,242 S \* 9/2009 Bierman ..... D24/112
- D601,243 S \* 9/2009 Bierman ..... D24/112
- 9,173,726 B2 \* 11/2015 Sabourin ..... A61C 19/08
- 9,381,309 B2 7/2016 Shaw et al.
- D792,969 S \* 7/2017 Taylor ..... D24/130
- 9,814,841 B2 11/2017 Shaw et al.
- D812,748 S \* 3/2018 Funakoshi ..... D24/133
- D814,630 S \* 4/2018 Finke ..... D24/114
- D815,732 S \* 4/2018 Mills ..... D24/112
- D817,482 S \* 5/2018 Howell ..... A61B 5/1405  
D24/112
- D823,457 S \* 7/2018 Shaw ..... D24/112
- D823,461 S \* 7/2018 Shaw ..... D24/114
- D823,463 S \* 7/2018 Shaw ..... D24/127
- D829,891 S \* 10/2018 Shaw ..... D24/114
- 10,086,141 B2 \* 10/2018 Steel ..... A61M 5/20

\* cited by examiner  
*Primary Examiner* — David G Muller  
(74) *Attorney, Agent, or Firm* — Ross Barnes LLP; Monty L. Ross

(57) **CLAIM**  
We claim the ornamental design for a syringe with barrel having flat top and bottom surface portions, as shown and described.

**DESCRIPTION**  
FIG. 1 is a right front perspective view; FIG. 2 is a left front perspective view; FIG. 3 is a front elevation view; FIG. 4 is a rear elevation view; FIG. 5 is a right side elevation view; FIG. 6 is a left side elevation view; and, FIG. 7 is a top plan view.  
Wherein the bottom plan view is a mirror image of the top plan view.

**1 Claim, 5 Drawing Sheets**



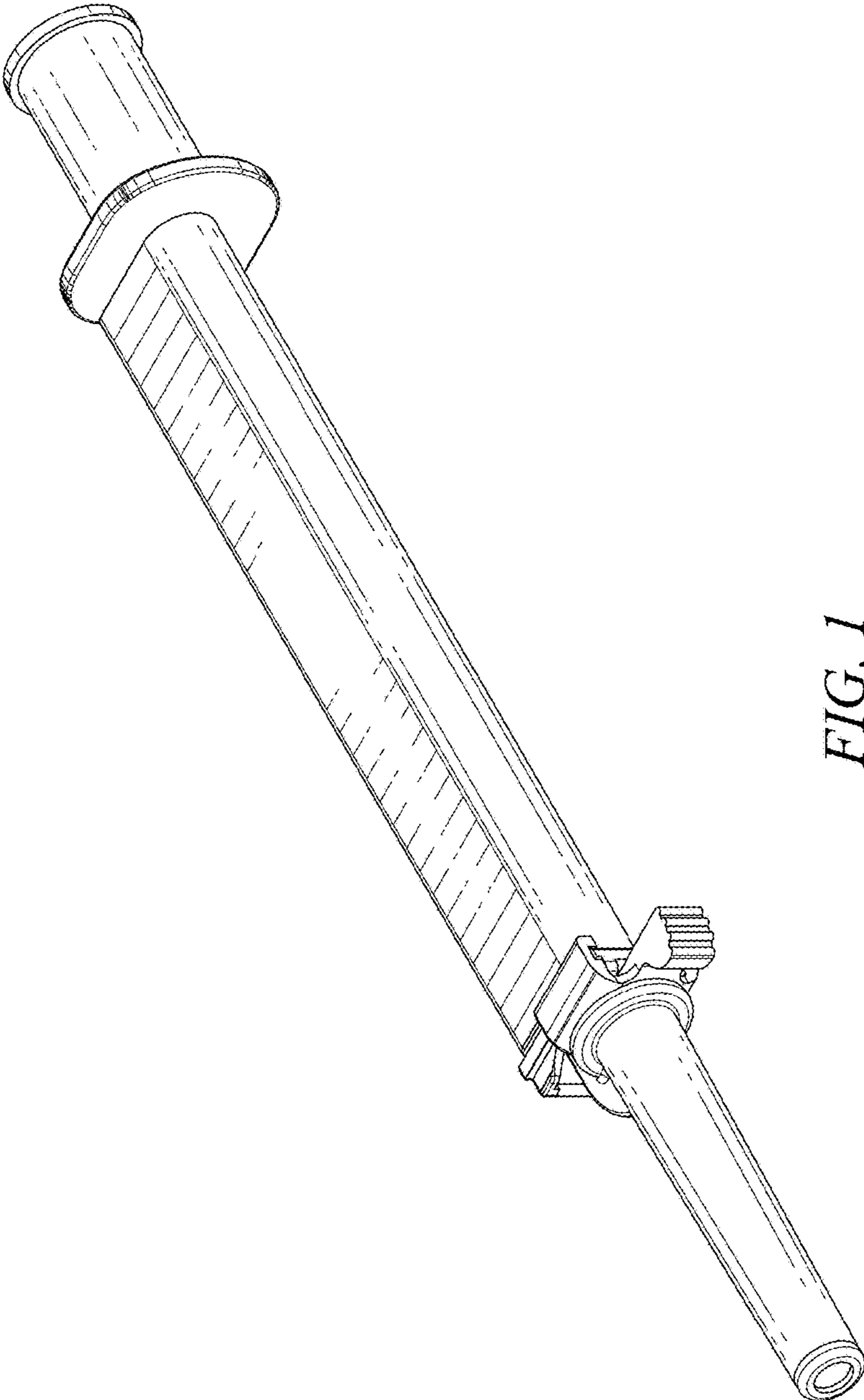


FIG. 1

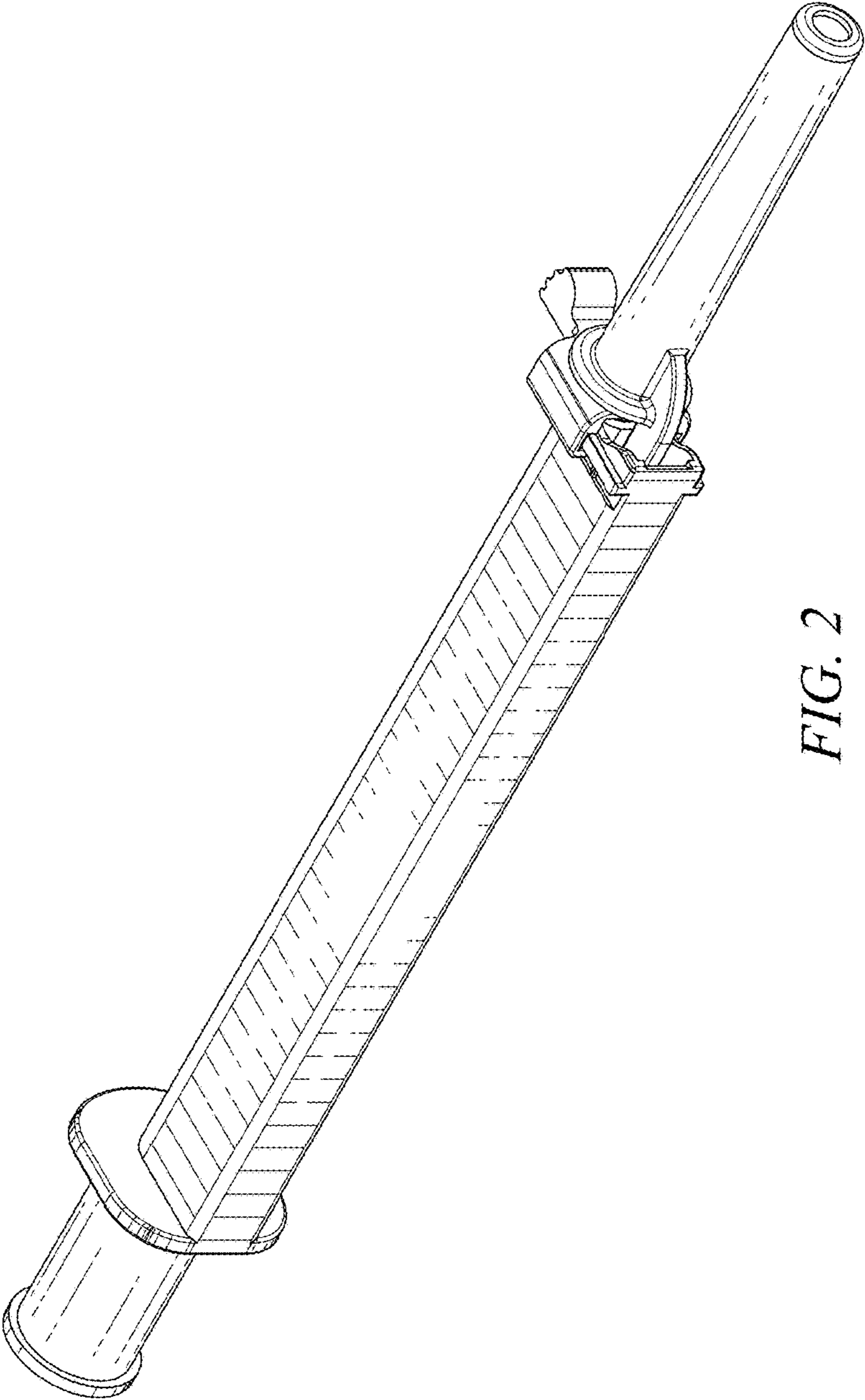
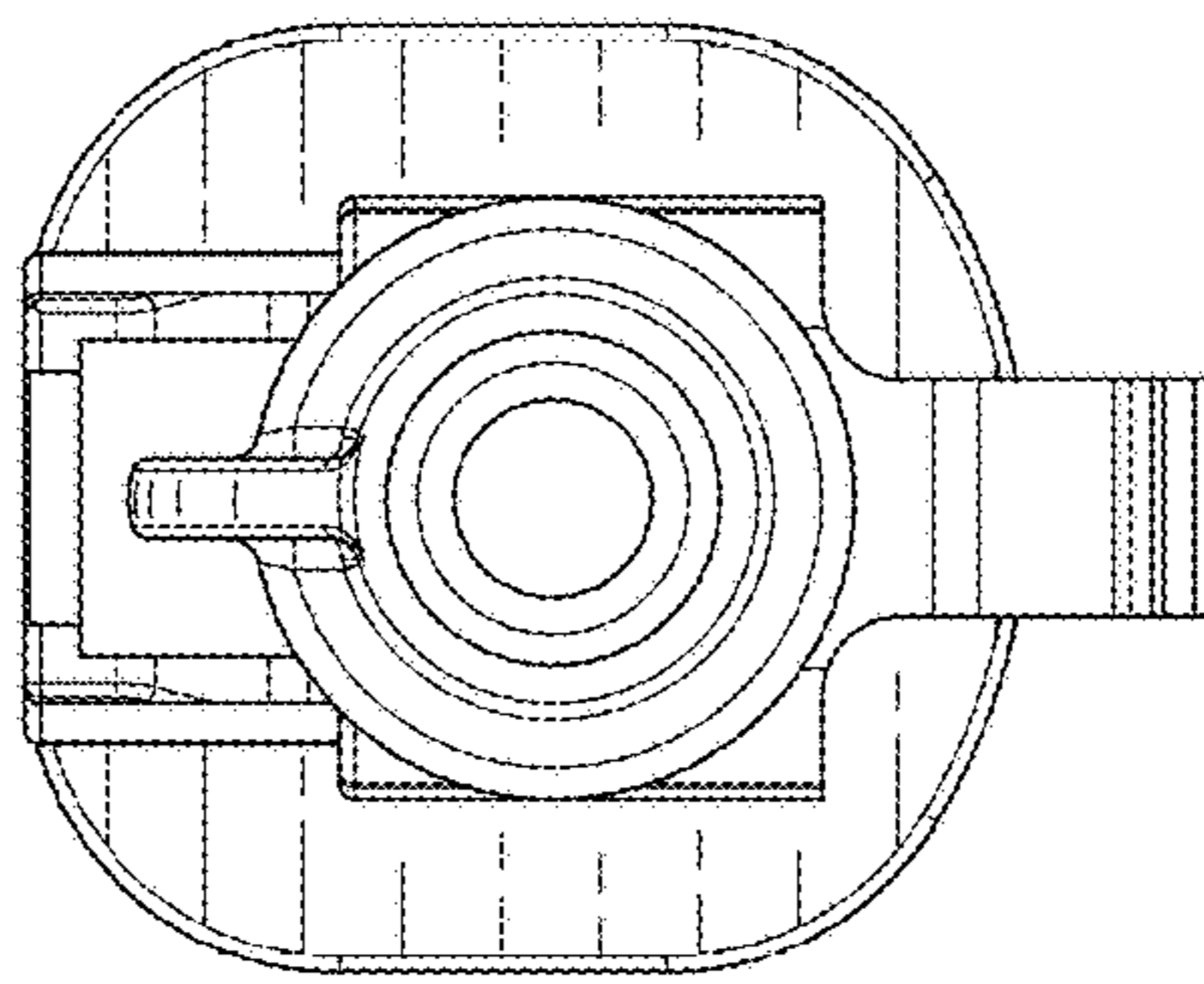
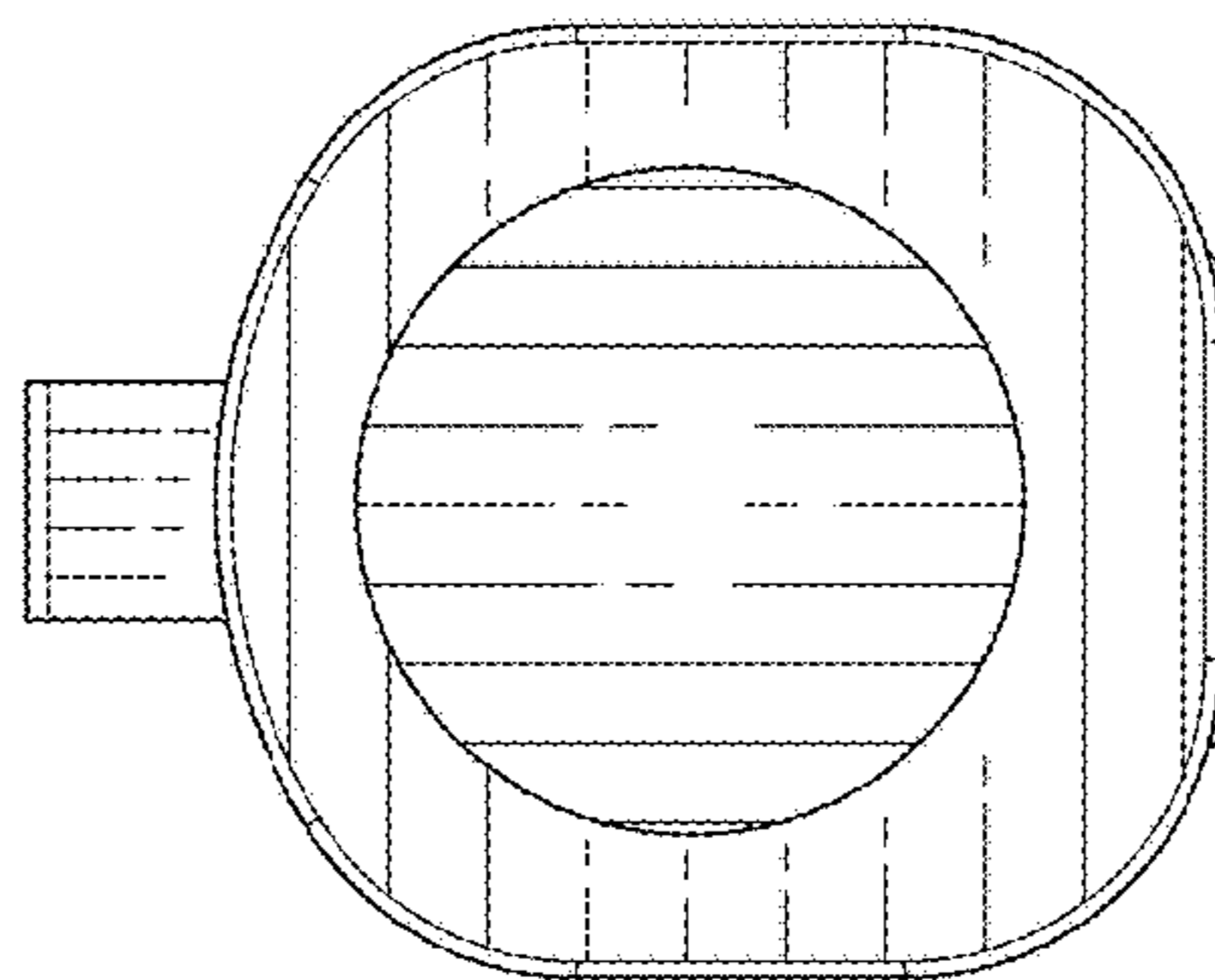


FIG. 2



*FIG. 3*



*FIG. 4*

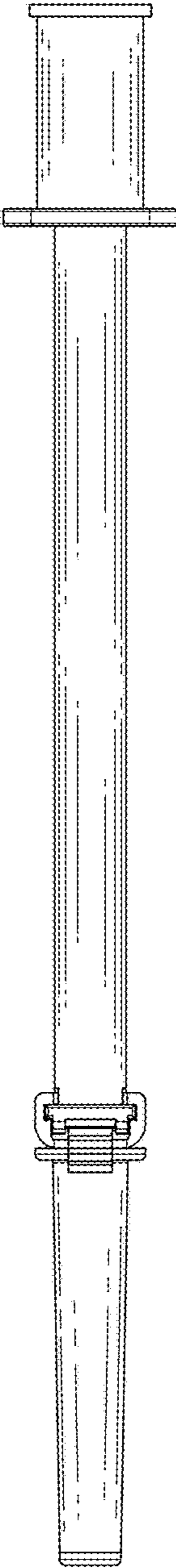


FIG. 5

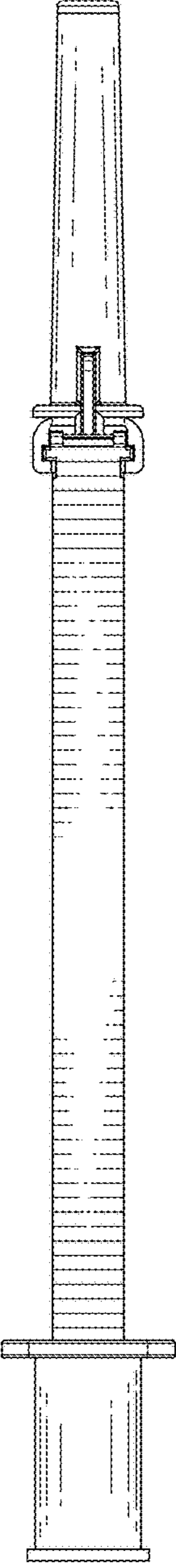


FIG. 6

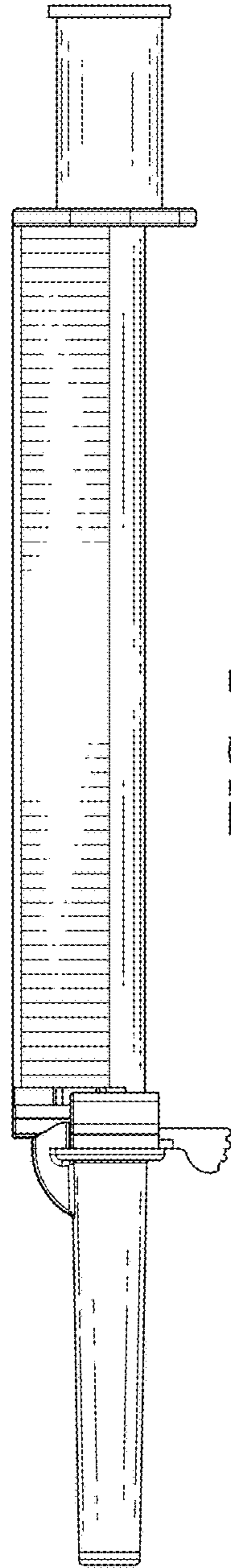


FIG. 7