



US00D838838S

(12) **United States Design Patent** (10) **Patent No.:** **US D838,838 S**
Bowsher (45) **Date of Patent:** **** Jan. 22, 2019**

(54) **RESPIRATORY MASK**
(71) Applicant: **Intersurgical AG**, Vaduz (LI)
(72) Inventor: **Richard Francis Bowsher**, Wokingham (GB)

2016/0008558 A1* 1/2016 Huddart A61M 16/06
128/205.25
2016/0067442 A1* 3/2016 Salmon A61M 16/0683
128/205.25
2016/0339196 A1* 11/2016 Bowsher A61M 16/06
2018/0185598 A1* 7/2018 Olsen A62B 18/08
(Continued)

(73) Assignee: **Intersurgical AG**, Vaduz (LI)

FOREIGN PATENT DOCUMENTS

(**) Term: **15 Years**

DE 10051897 C1 4/2003
TW I439299 B 1/2014

(21) Appl. No.: **29/547,359**

(Continued)

(22) Filed: **Dec. 3, 2015**

Primary Examiner — Eric L Goodman
Assistant Examiner — Lilyana Bekic

(30) **Foreign Application Priority Data**

(74) *Attorney, Agent, or Firm* — LeClairRyan PLLC

Jun. 3, 2015 (EM) 002712653

(51) **LOC (11) Cl.** **29-02**

(52) **U.S. Cl.**
USPC **D24/110.4**

(58) **Field of Classification Search**
USPC D24/110.1–110.4, 127
CPC A61M 16/0622; A61M 16/0616; A61M
16/0633; A61M 16/06; A61M 16/0683;
A61M 16/0605; A61M 16/0644
See application file for complete search history.

(56) **References Cited**

U.S. PATENT DOCUMENTS

D617,892 S * 6/2010 Brambilla D24/110.1
D683,447 S * 5/2013 Olsen D24/110.1
D693,459 S * 11/2013 Prentice D24/110.1
D754,328 S * 4/2016 Bowsher D24/110.1
D782,030 S * 3/2017 Prentice D24/110.4
D782,031 S * 3/2017 Prentice D24/110.4
2007/0277828 A1 12/2007 Ho et al.
2012/0067349 A1 3/2012 Barlow et al.
2012/0234326 A1 9/2012 Mazzone et al.
2015/0000671 A1* 1/2015 Frerichs A61M 16/0683
128/206.21

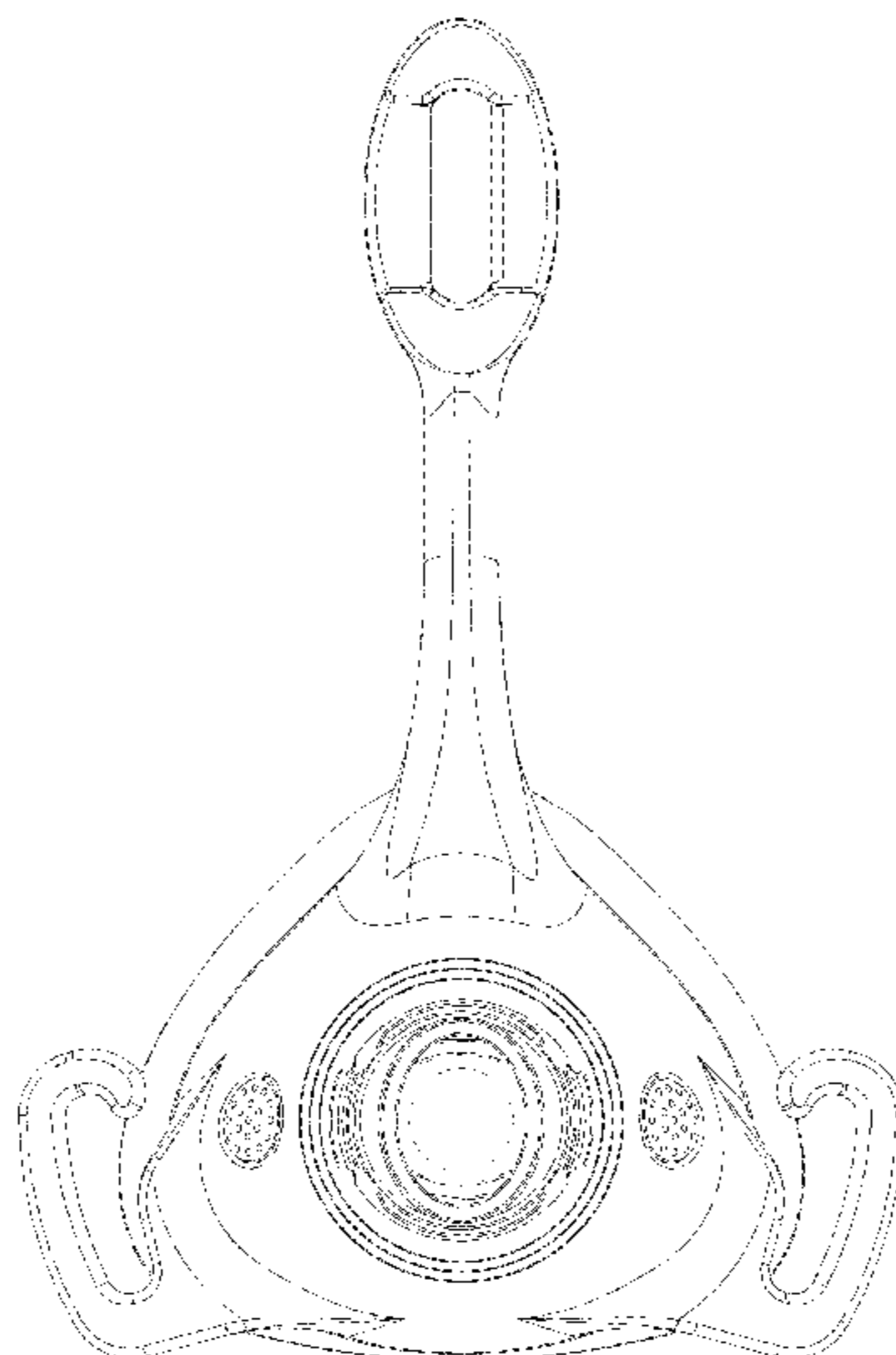
(57) **CLAIM**

The ornamental design for a respiratory mask, as shown and described.

DESCRIPTION

FIG. 1 is a front elevational view of a respiratory mask.
FIG. 2 is a rear elevational view of the respiratory mask shown in FIG. 1.
FIG. 3 is a top plan view of the respiratory mask shown in FIG. 1.
FIG. 4 is a bottom plan view of the respiratory mask shown in FIG. 1.
FIG. 5 is a side elevational view from the right side of the respiratory mask shown in FIG. 1.
FIG. 6 is a perspective view from the front and right side of the respiratory mask shown in FIG. 1.
FIG. 7 is a perspective view from the rear and right side of the respiratory mask shown in FIG. 1; and,
FIG. 8 is a side elevational view from the left side of the respiratory mask shown in FIG. 1.
The broken line showings in FIGS. 1, 2, and 7 illustrate a portion of the article and form no part of the claimed design.

1 Claim, 8 Drawing Sheets



(56)

References Cited

U.S. PATENT DOCUMENTS

2018/0207384 A1* 7/2018 Zhou A61M 16/0622
2018/0207389 A1* 7/2018 Fyfe A61M 16/0858

FOREIGN PATENT DOCUMENTS

WO 2010/135785 A1 12/2010
WO 2014/053987 A1 10/2014

* cited by examiner

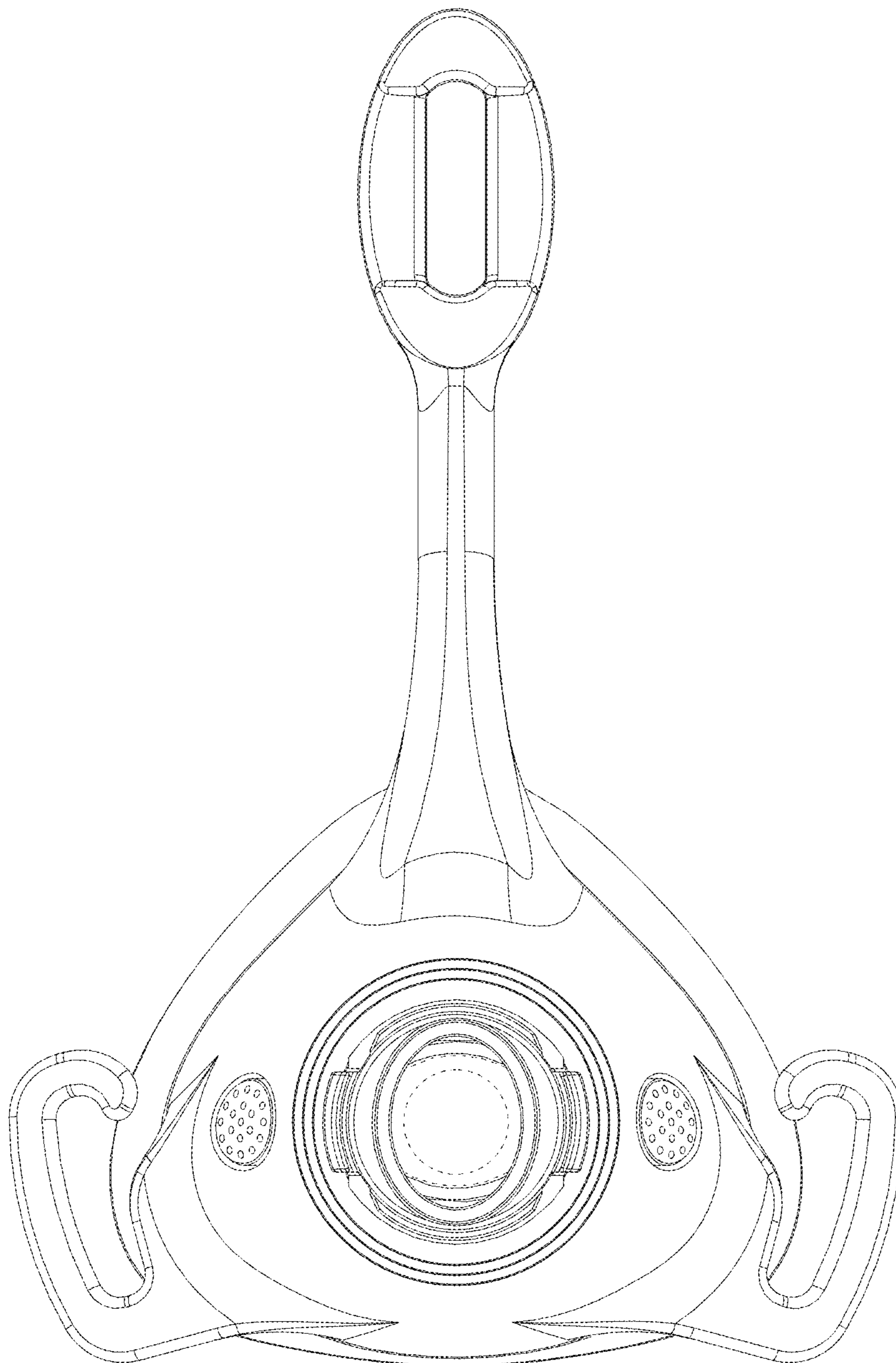


FIG. 1

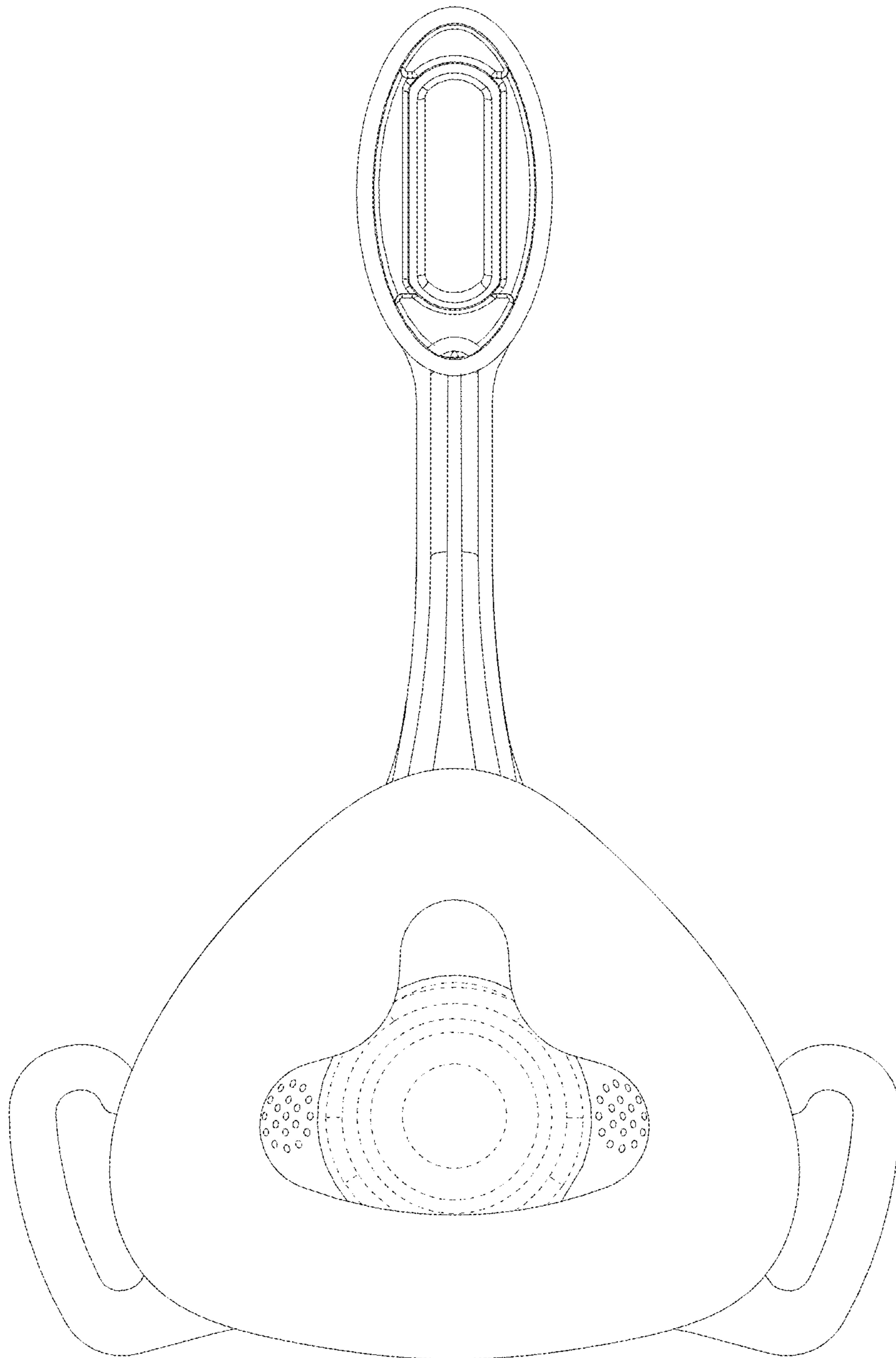


FIG. 2

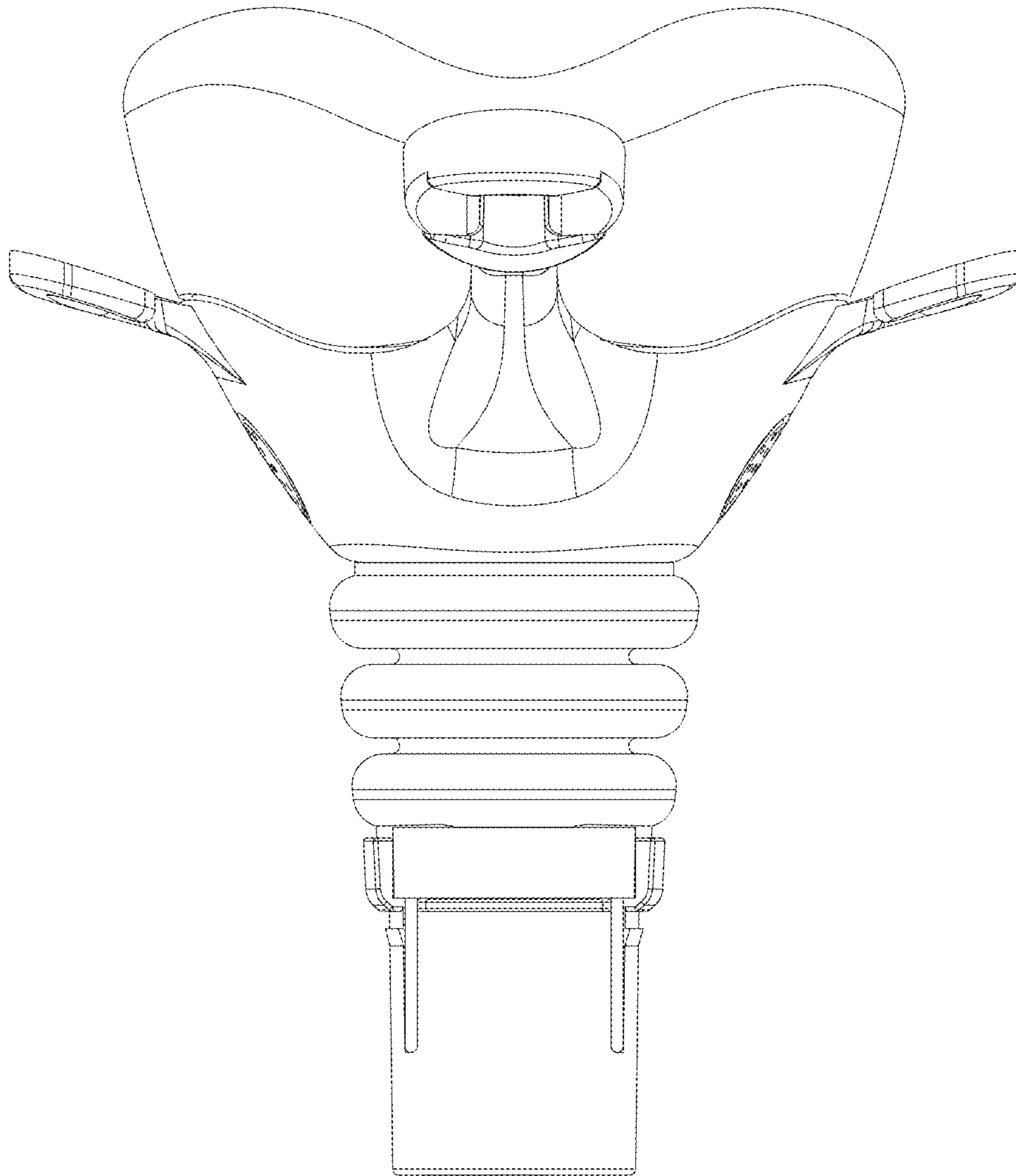


FIG. 3

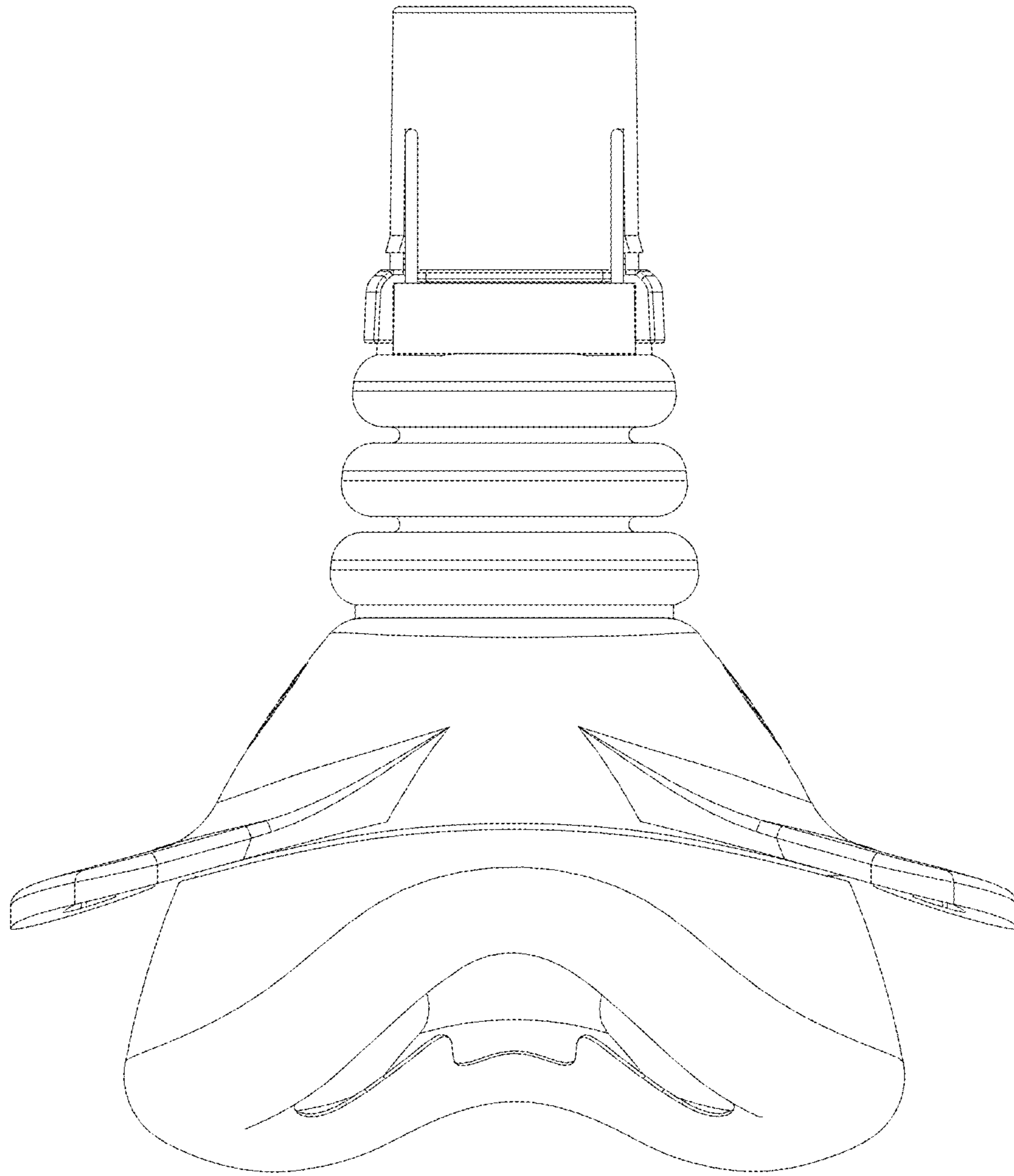


FIG. 4

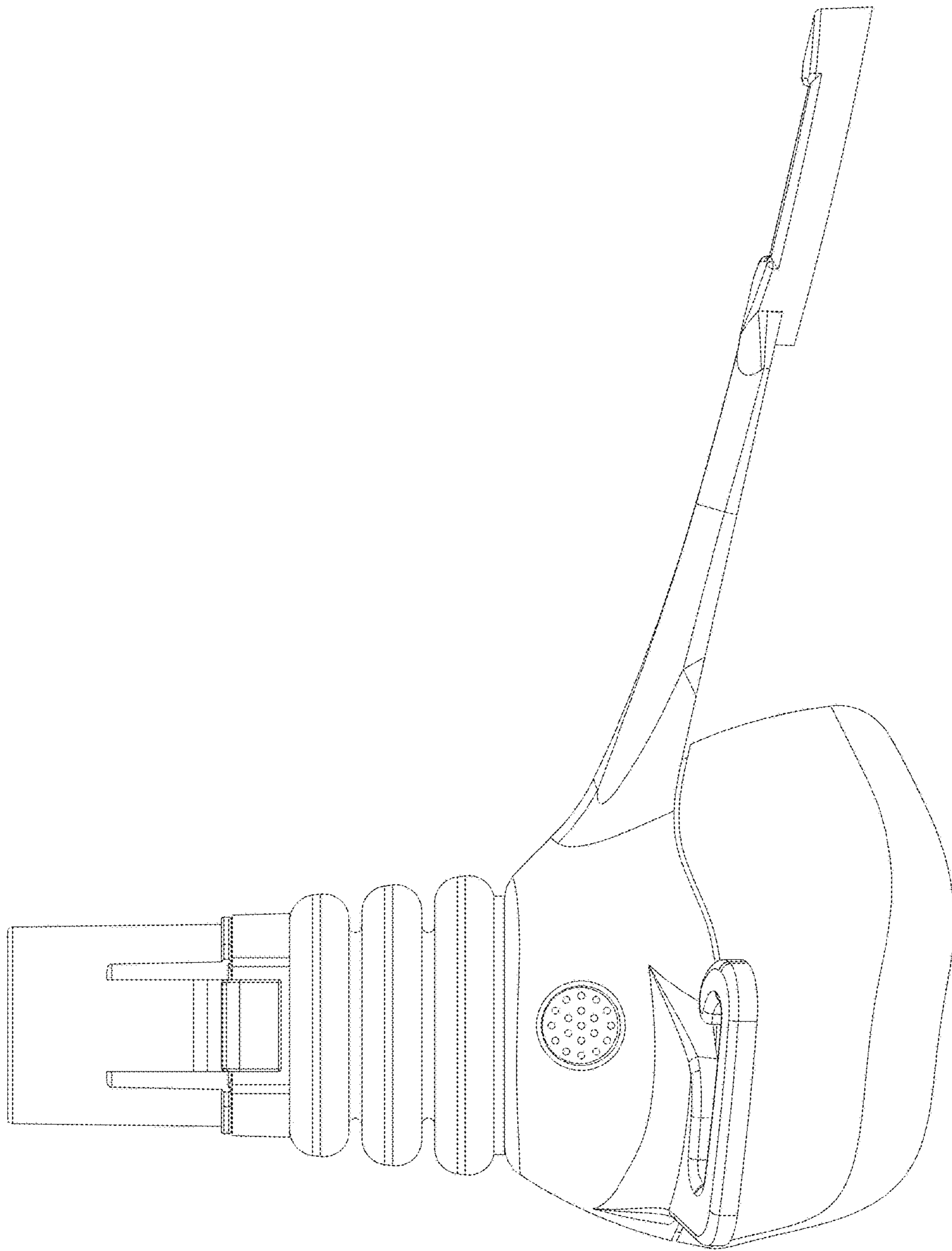


FIG. 5

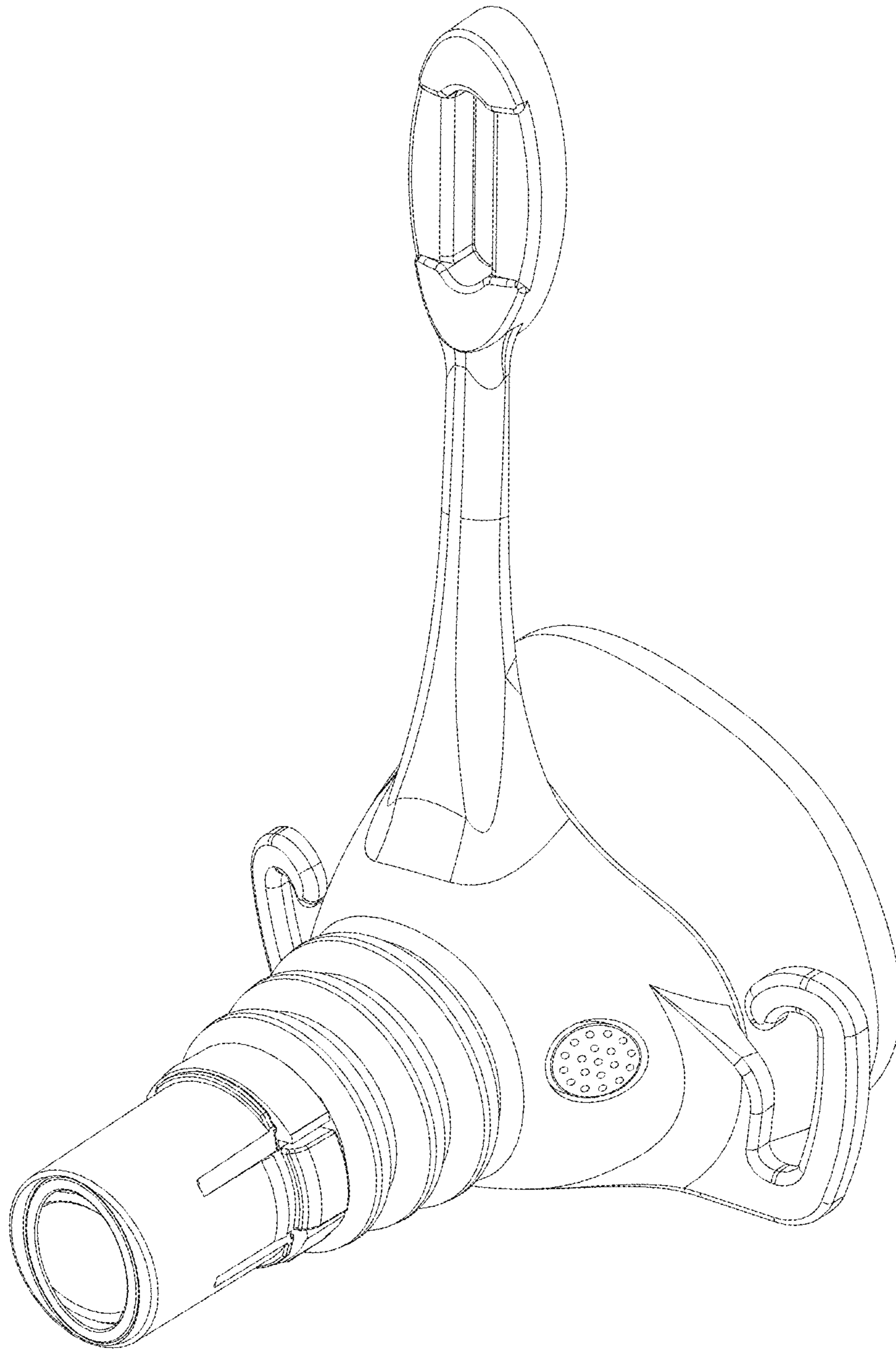


FIG. 6

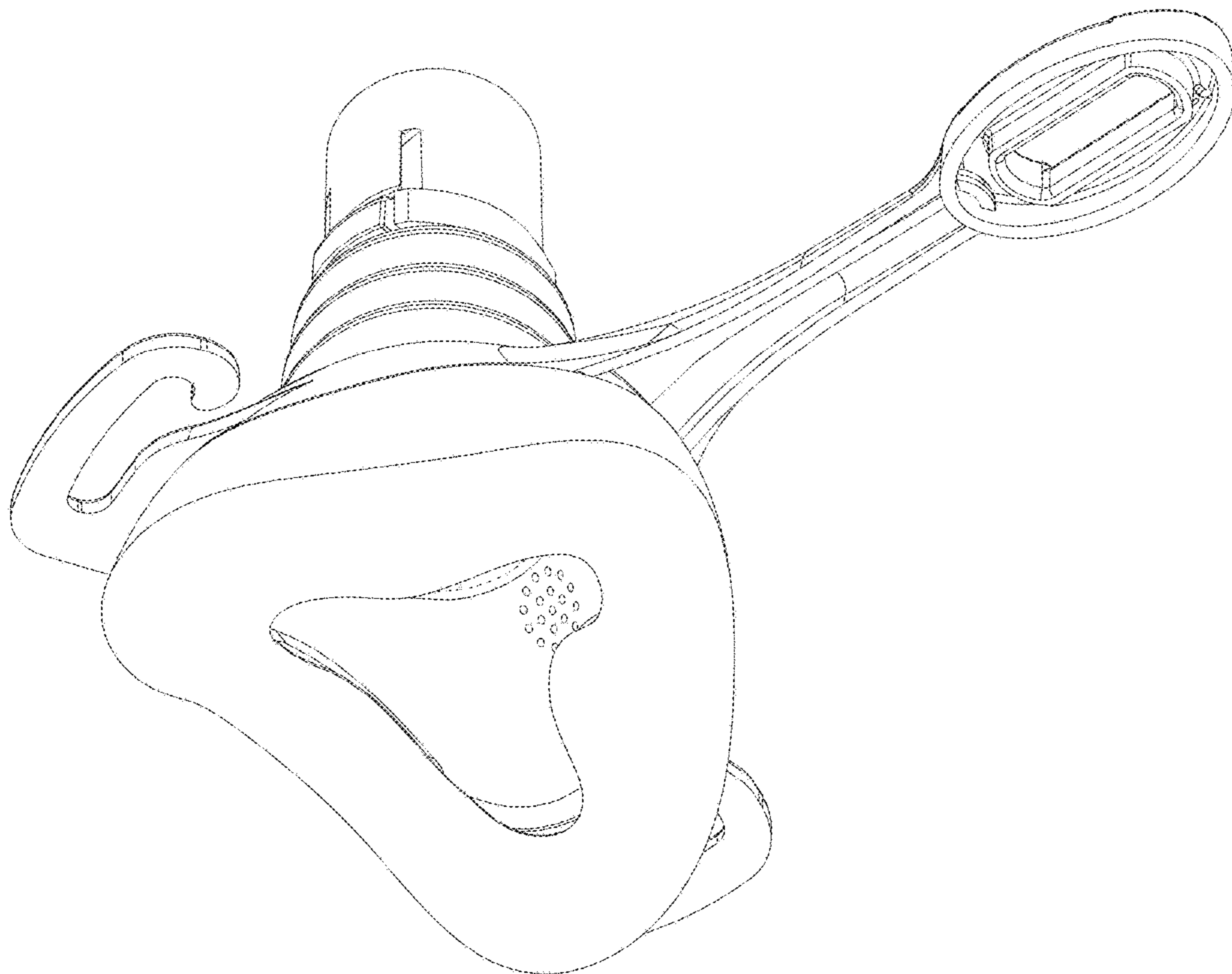


FIG. 7

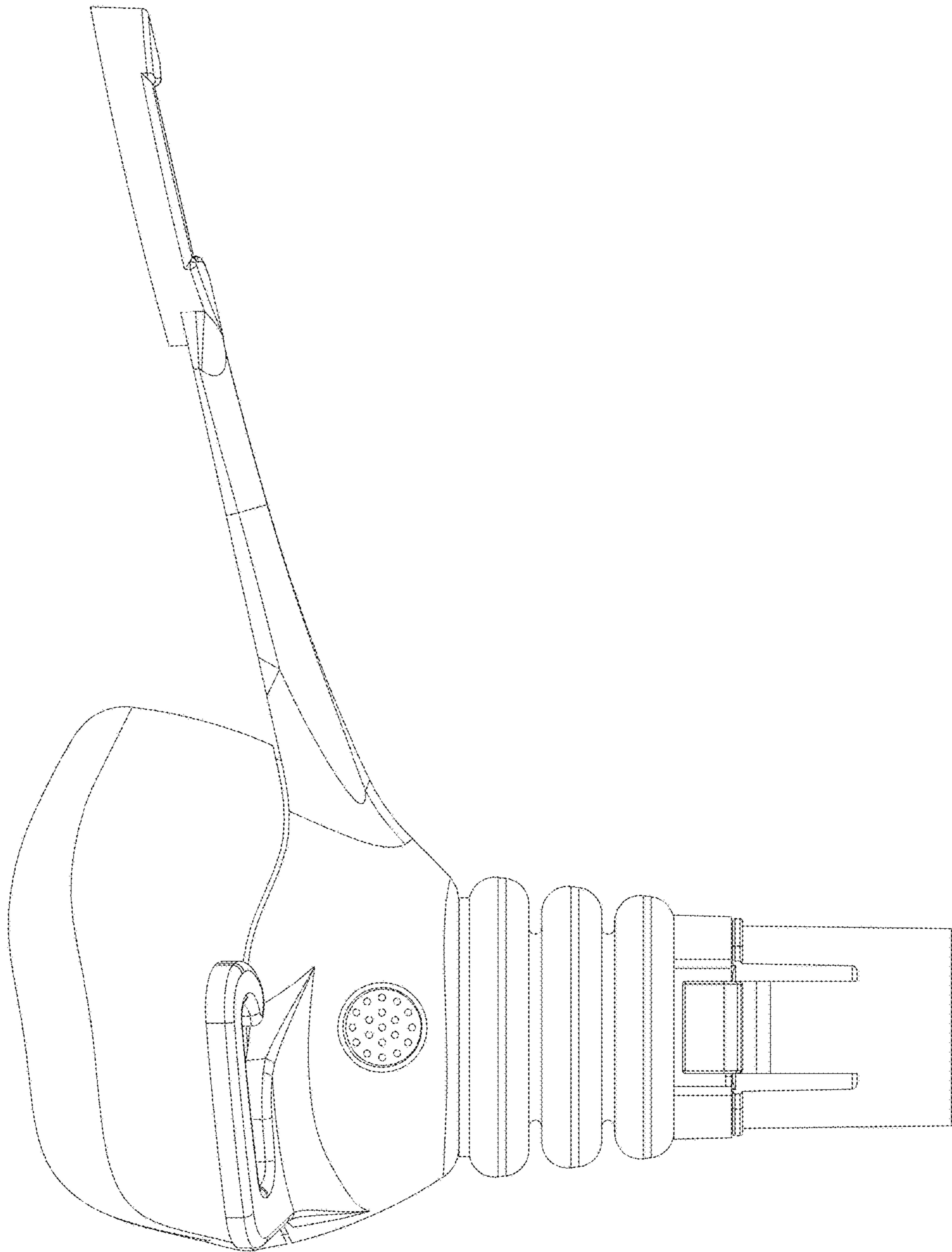


FIG. 8