



US00D838835S

(12) **United States Design Patent** (10) **Patent No.:** **US D838,835 S**  
**Wu** (45) **Date of Patent:** **\*\* Jan. 22, 2019**

(54) **INHALER**  
(71) Applicant: **Intech Biopharm Ltd.**, Taipei (TW)  
(72) Inventor: **Wei-Hsiu Wu**, New Taipei (TW)  
(73) Assignee: **Intech Biopharm Ltd.**, Taipei (TW)  
(\*\*) Term: **15 Years**  
(21) Appl. No.: **29/591,760**  
(22) Filed: **Jan. 24, 2017**  
(51) **LOC (11) Cl.** ..... **29-02**  
(52) **U.S. Cl.**  
USPC ..... **D24/110**  
(58) **Field of Classification Search**  
USPC ..... D24/107-108, 110, 110.5, 164  
CPC ..... A61M 15/00; A61M 15/0065; A61M  
15/0091; A61M 15/0021; A61M 15/0026;  
A61M 11/00; A61M 11/02; A61M 11/04  
See application file for complete search history.

2005/0274378 A1\* 12/2005 Bonney ..... A61M 15/0045  
128/200.23  
2007/0052544 A1\* 3/2007 Lintell ..... A61J 7/0481  
340/815.4  
2007/0125372 A1\* 6/2007 Chen ..... A61M 15/0065  
128/200.23  
2008/0001008 A1\* 1/2008 Thoemmes ..... A61M 15/00  
239/338

(Continued)

**FOREIGN PATENT DOCUMENTS**

CN 301841243 S 2/2012  
CN 303035016 S 12/2014  
TW D128751 5/2009

*Primary Examiner* — Lilyana Bekic  
(74) *Attorney, Agent, or Firm* — Winston Hsu

(57) **CLAIM**

The ornamental design for an inhaler, as shown and described.

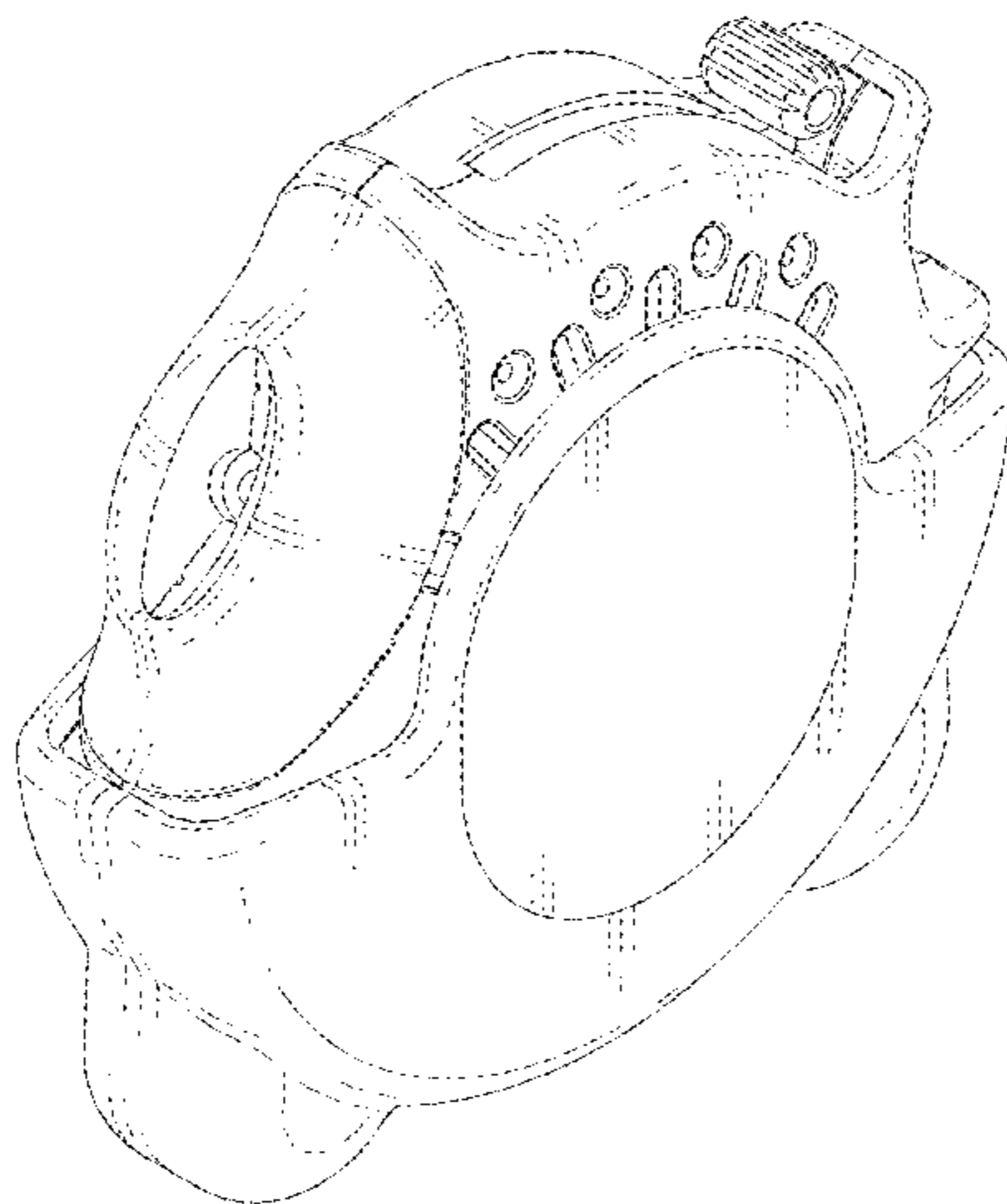
**DESCRIPTION**

(56) **References Cited**  
U.S. PATENT DOCUMENTS

D590,495 S 4/2009 Lulla  
D667,105 S 9/2012 Zuyderhoudt  
D684,254 S \* 6/2013 Zuyderhoudt ..... D24/110  
D693,458 S \* 11/2013 Wright ..... D24/110  
D737,425 S 8/2015 Wiczorek  
D755,950 S \* 5/2016 Meliniotis ..... D24/110  
D767,114 S \* 9/2016 White ..... D24/110  
D769,439 S \* 10/2016 White ..... D24/110  
D781,412 S \* 3/2017 Wiczorek ..... D24/110.5  
D791,931 S \* 7/2017 Kang ..... D24/110  
D795,414 S \* 8/2017 Soni ..... D24/110  
D797,920 S \* 9/2017 Lamba ..... D24/110  
2004/0035420 A1\* 2/2004 Davies ..... A61M 15/0028  
128/203.15  
2005/0174216 A1\* 8/2005 Lintell ..... A61J 7/0472  
340/309.16  
2005/0177275 A1\* 8/2005 Harvey ..... G04F 1/005  
700/244

FIG. 1 is a perspective view of an inhaler showing our new design;  
FIG. 2 is a front view thereof;  
FIG. 3 is a rear view thereof;  
FIG. 4 is a left side view thereof;  
FIG. 5 is a right side view thereof;  
FIG. 6 is a top view thereof;  
FIG. 7 is a bottom view thereof;  
FIG. 8 is a perspective view of the inhaler shown in FIG. 1 in a closed position;  
FIG. 9 is a front view thereof;  
FIG. 10 is a rear view thereof;  
FIG. 11 is a left side view thereof;  
FIG. 12 is a right side view thereof; and,  
FIG. 13 is a top view thereof.

**1 Claim, 13 Drawing Sheets**



(56)

**References Cited**

U.S. PATENT DOCUMENTS

2016/0045684 A1\* 2/2016 Ono ..... A61M 15/0045  
128/203.15

\* cited by examiner

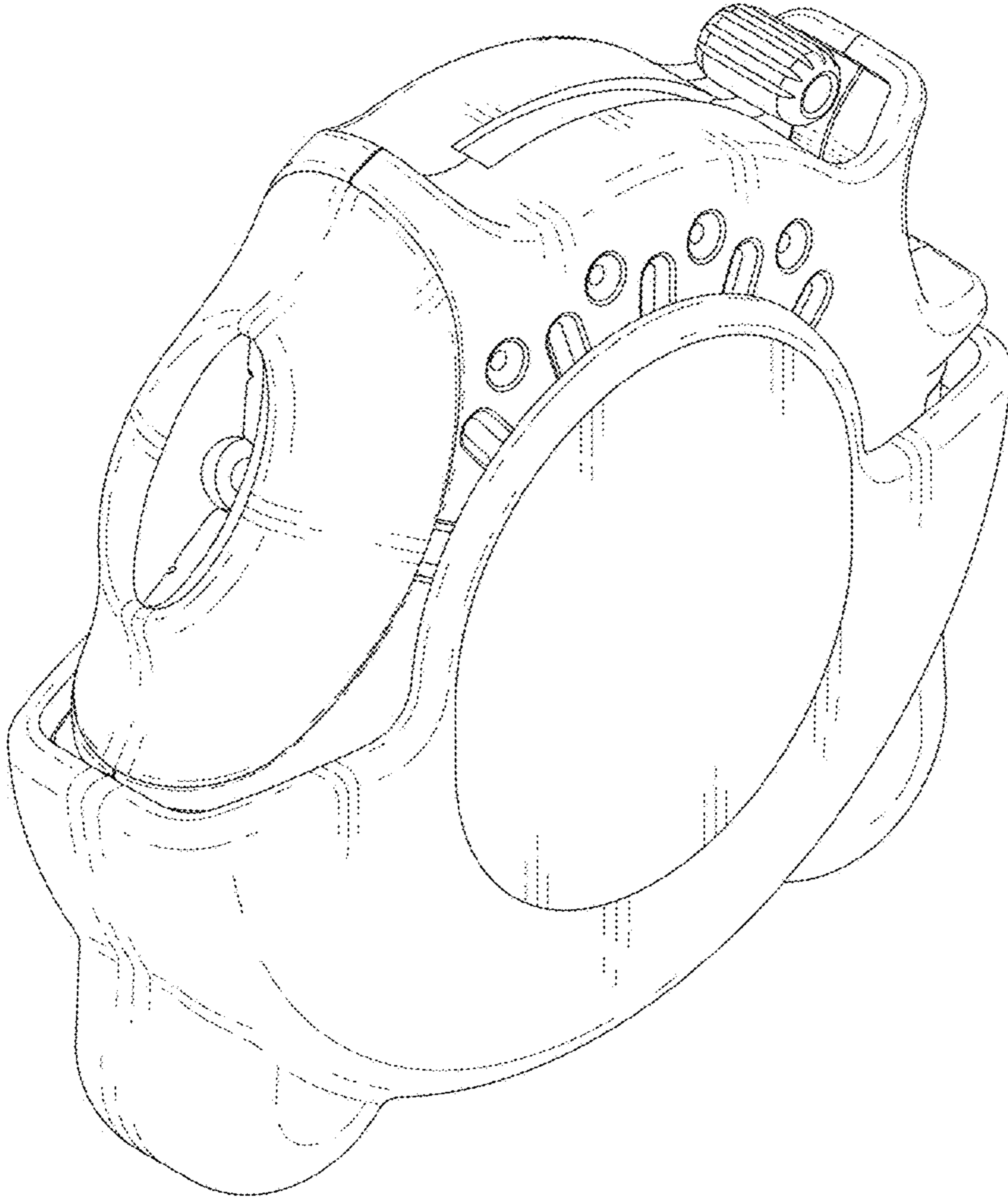


FIG. 1

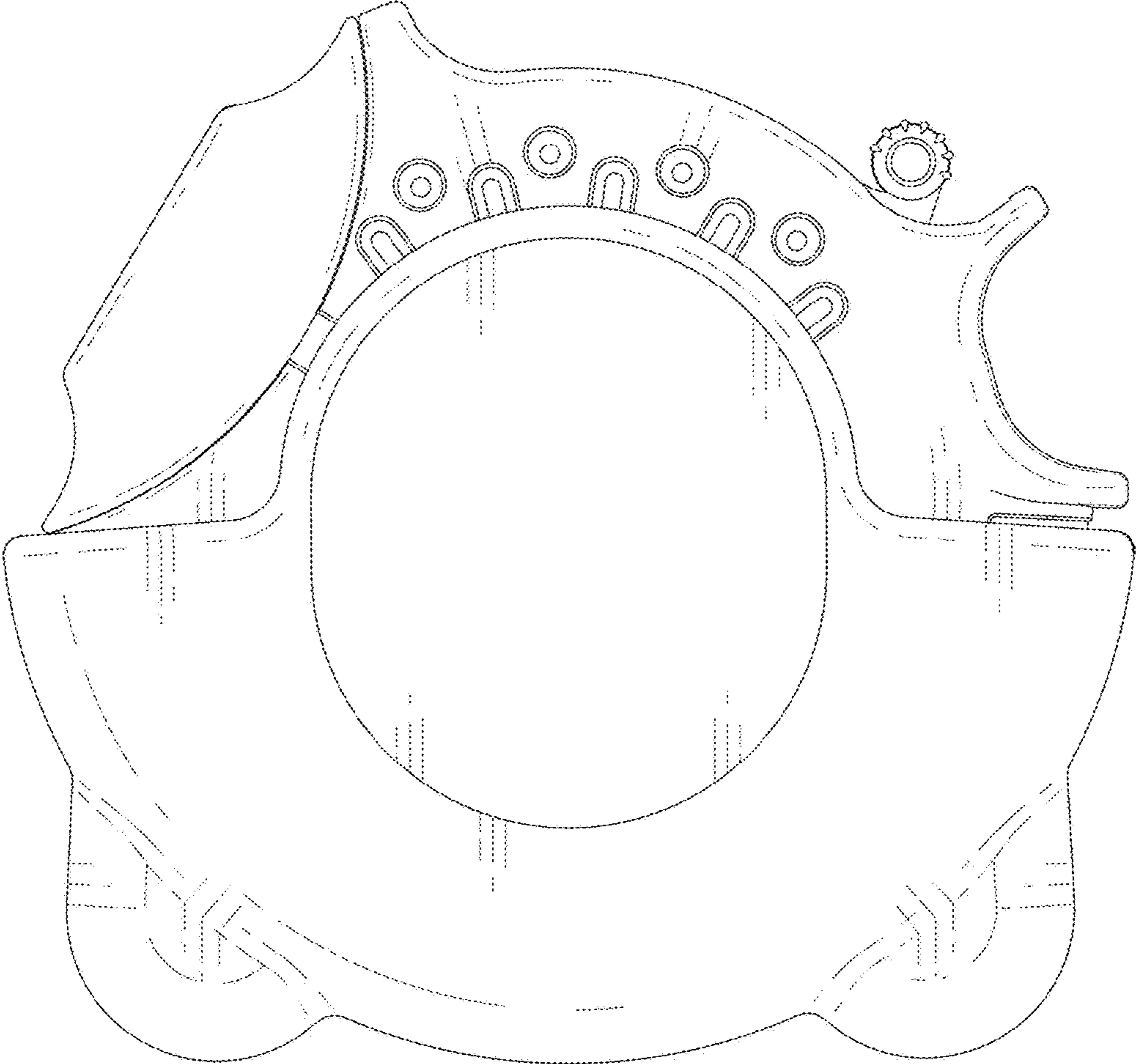


FIG. 2

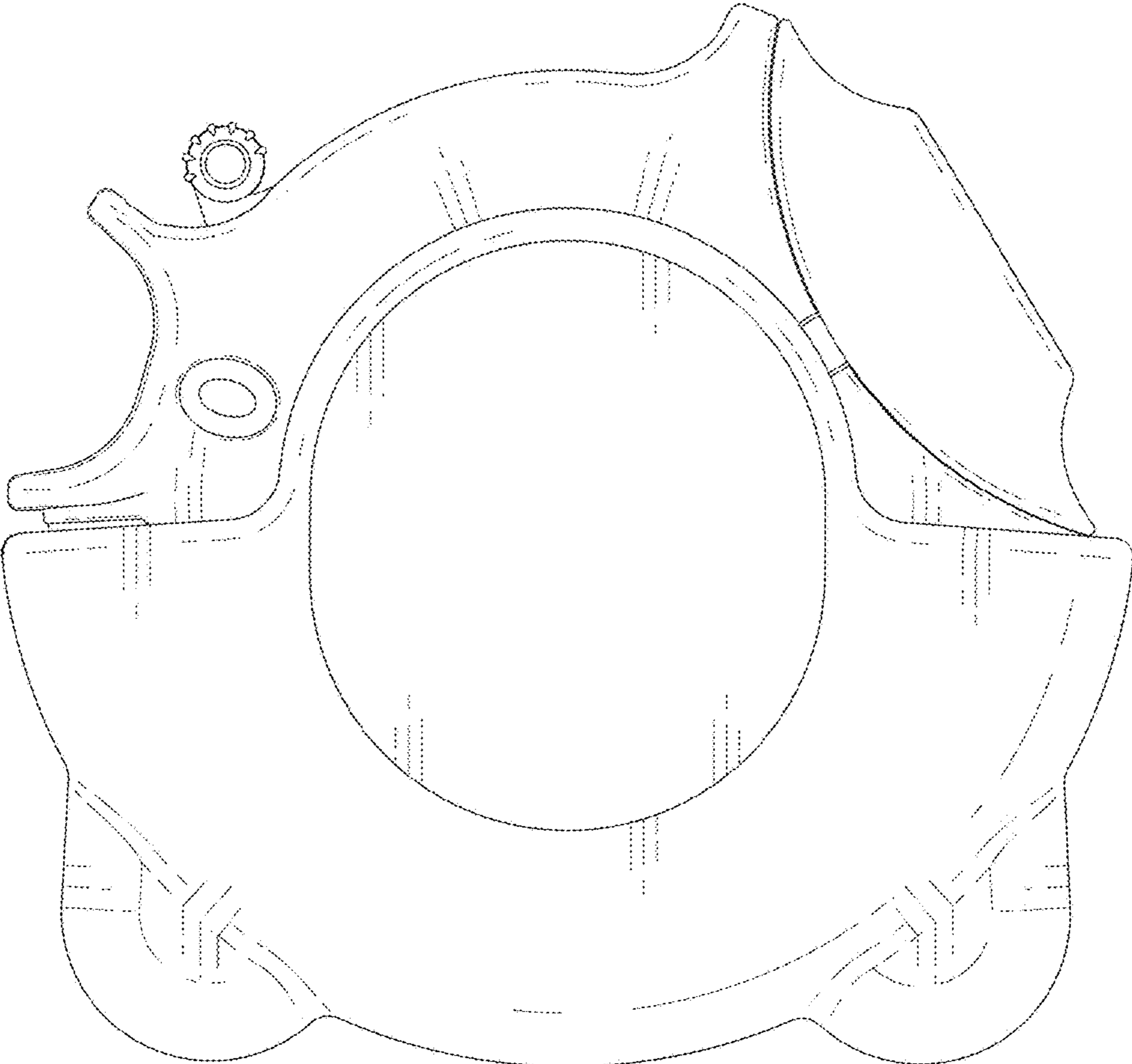


FIG. 3

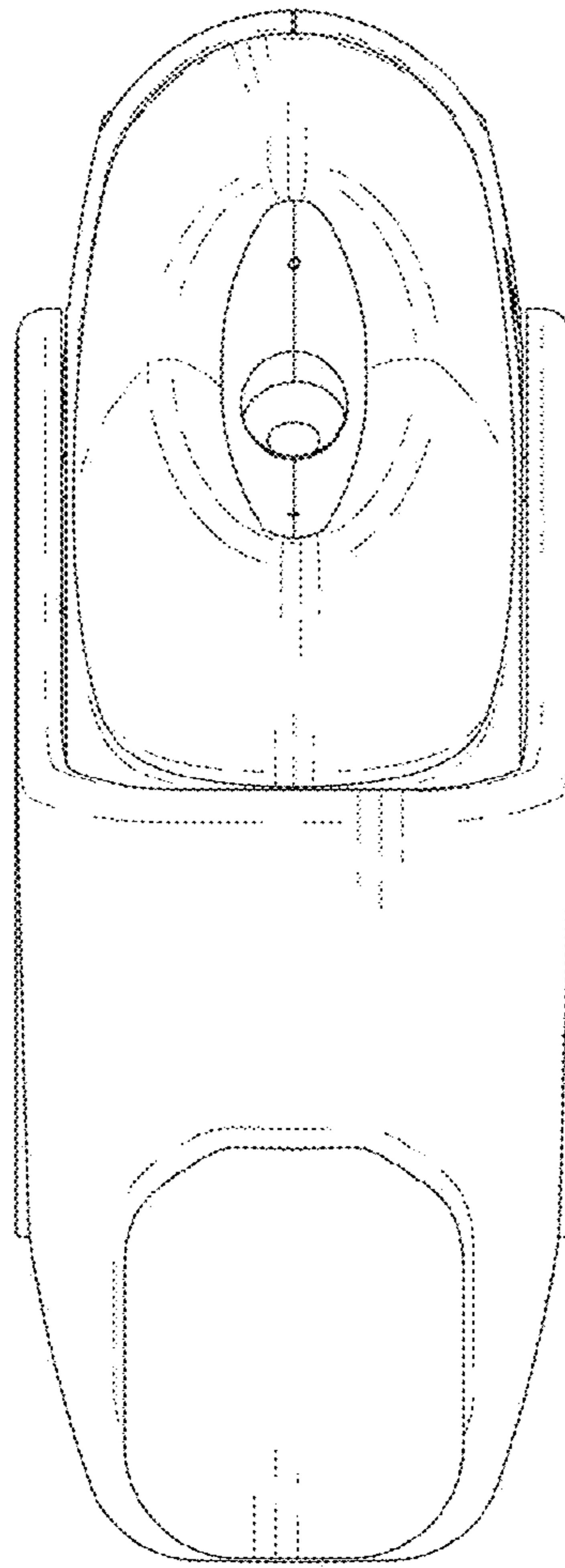


FIG. 4



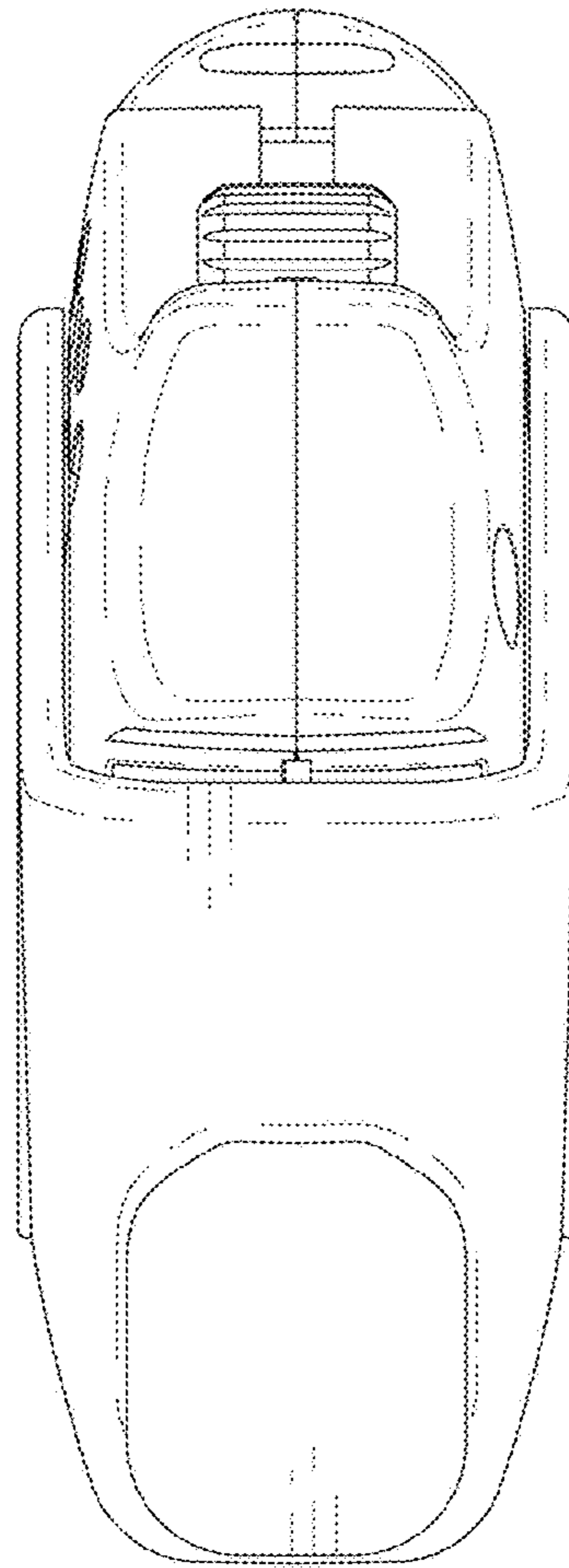


FIG. 5

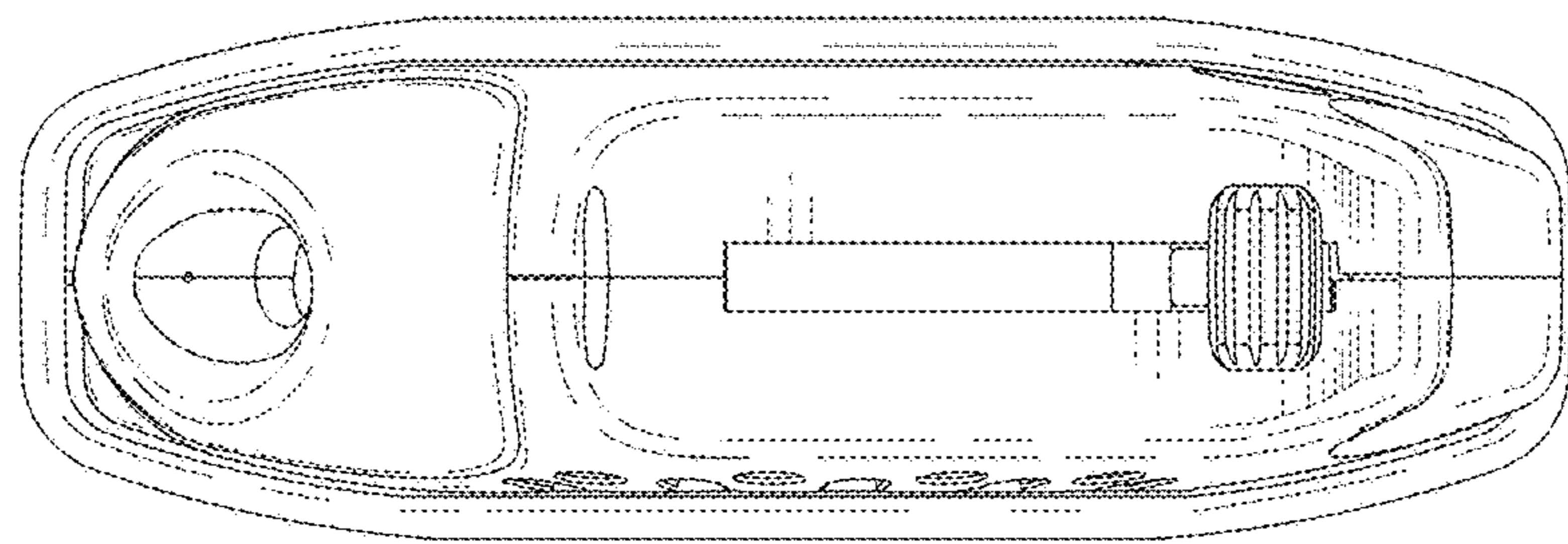


FIG. 6



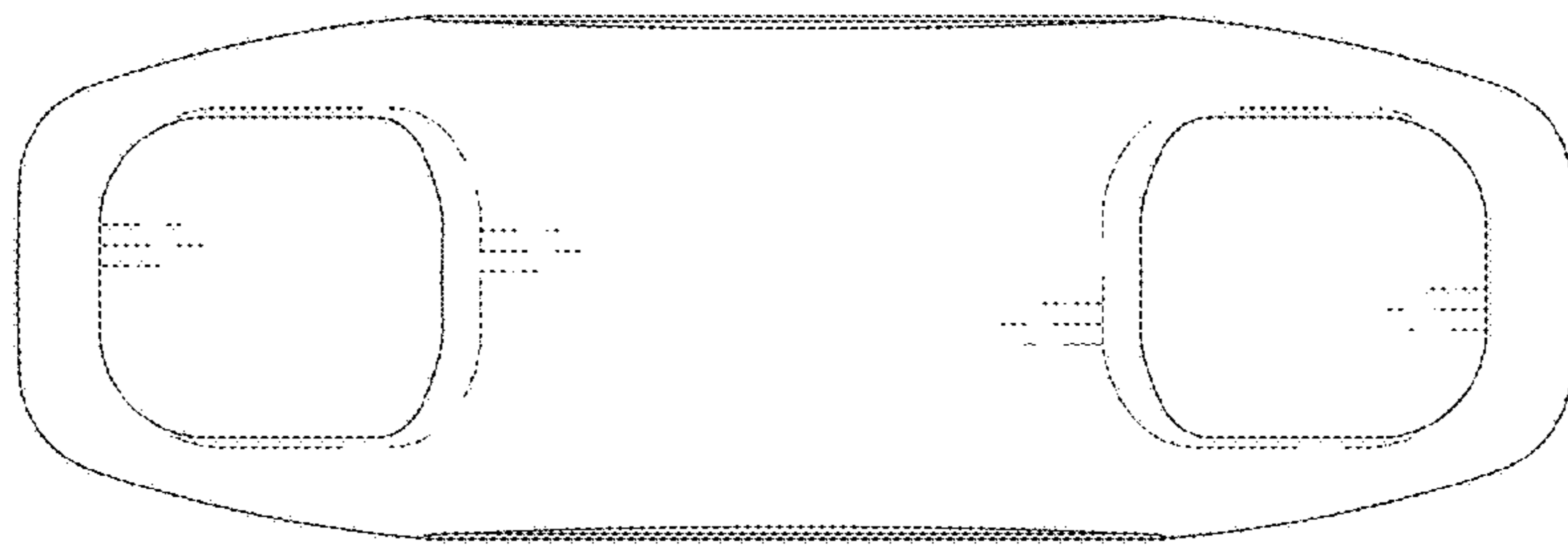


FIG. 7

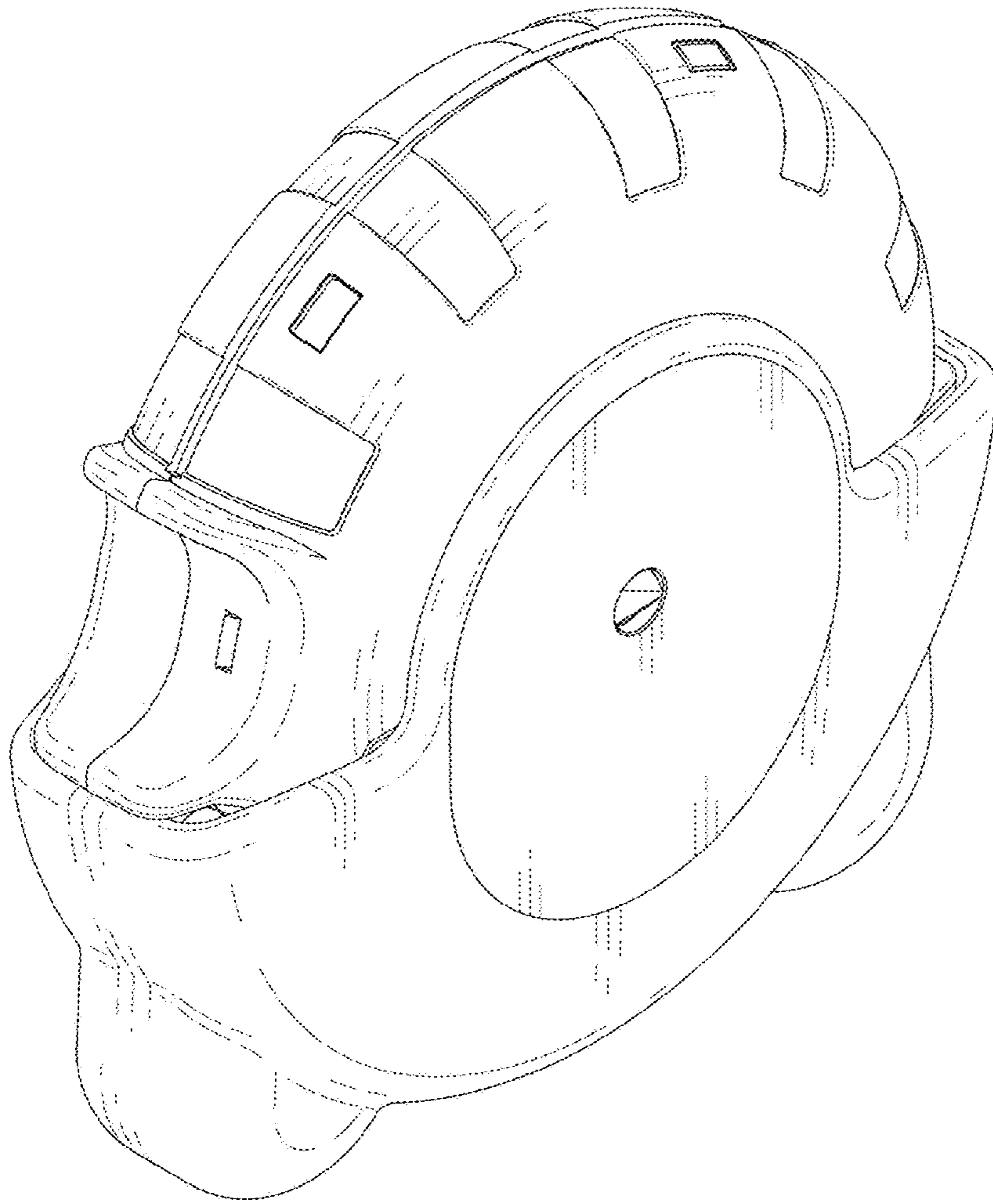


FIG. 8

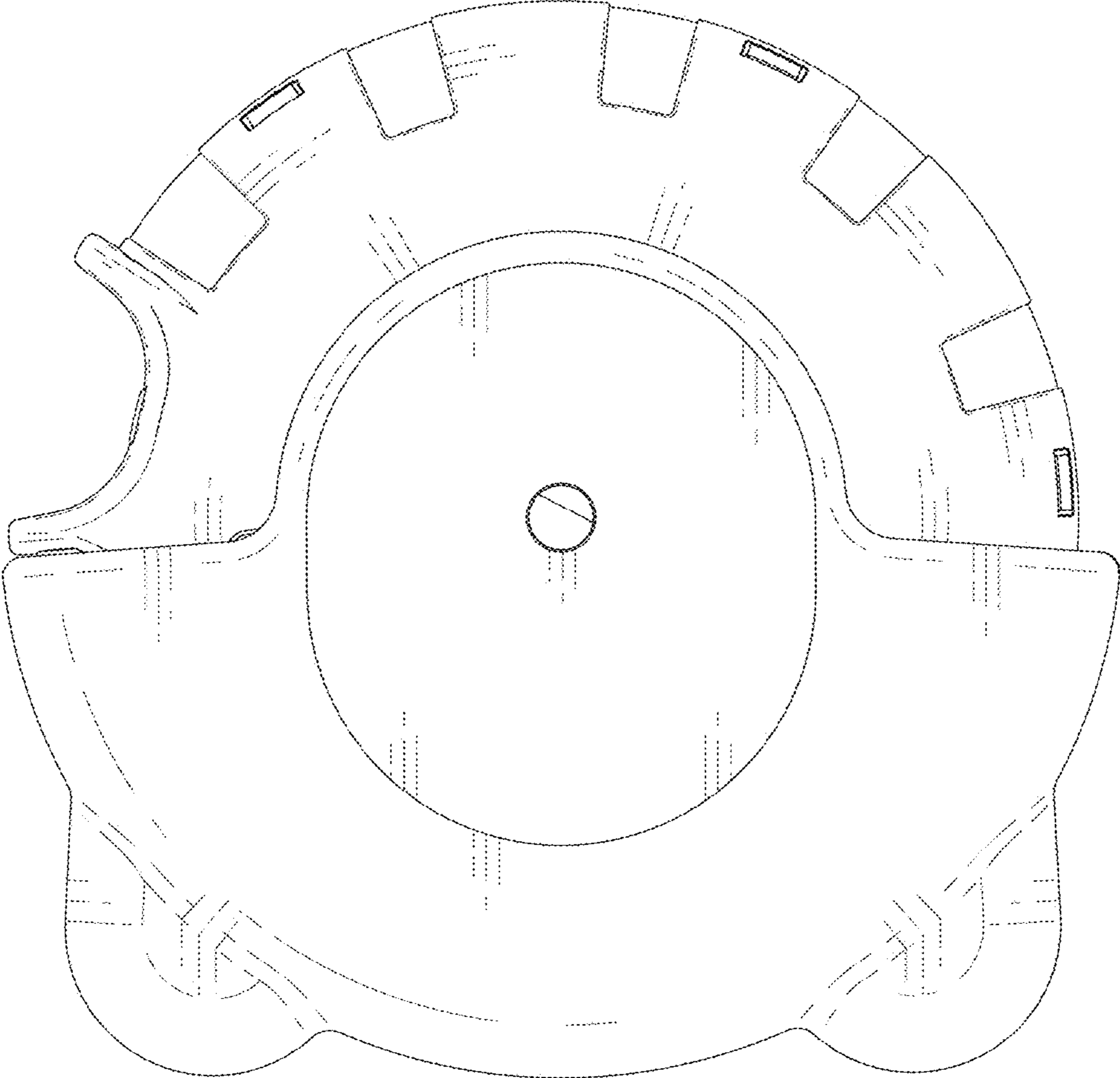


FIG. 9

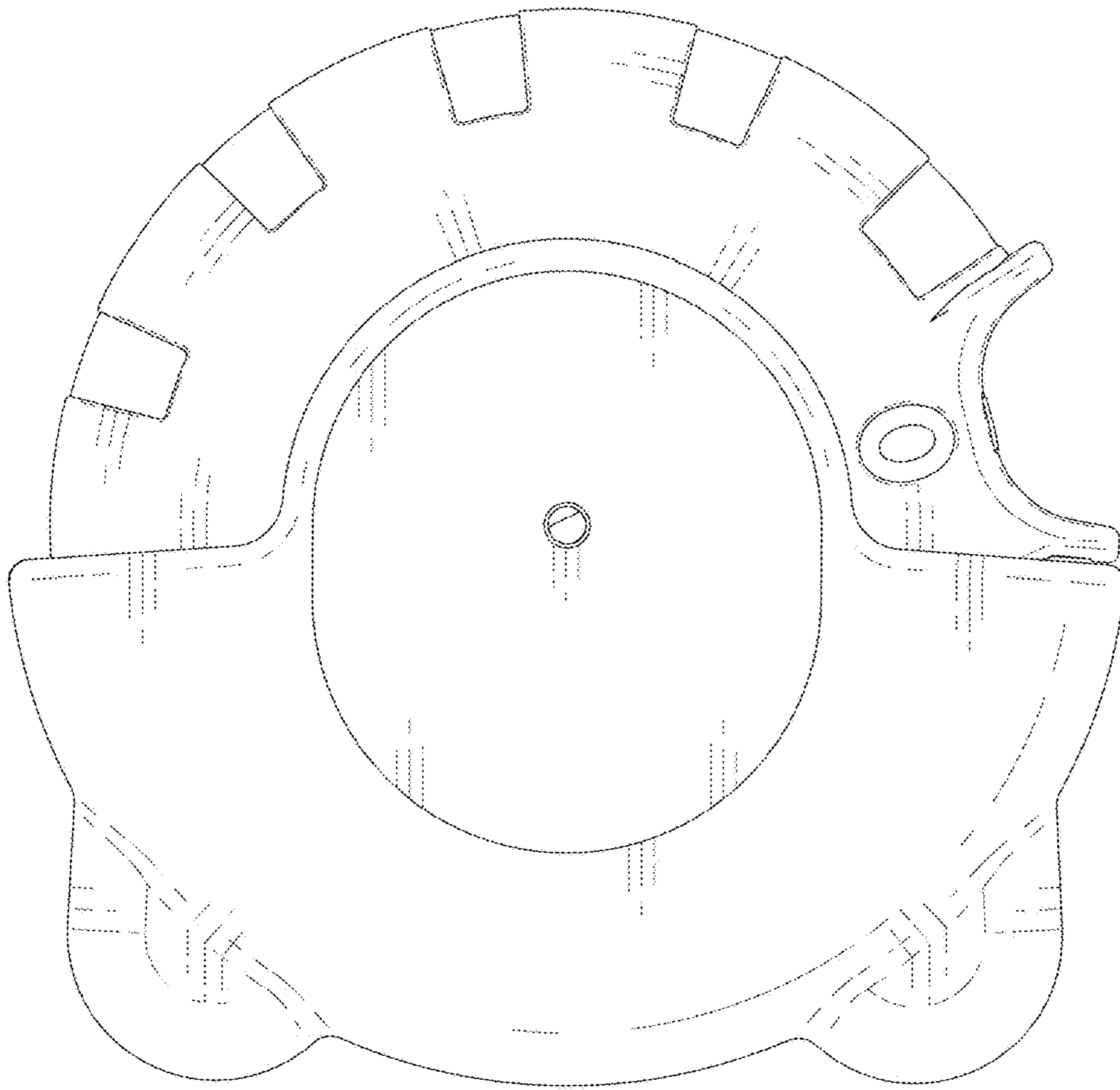


FIG. 10

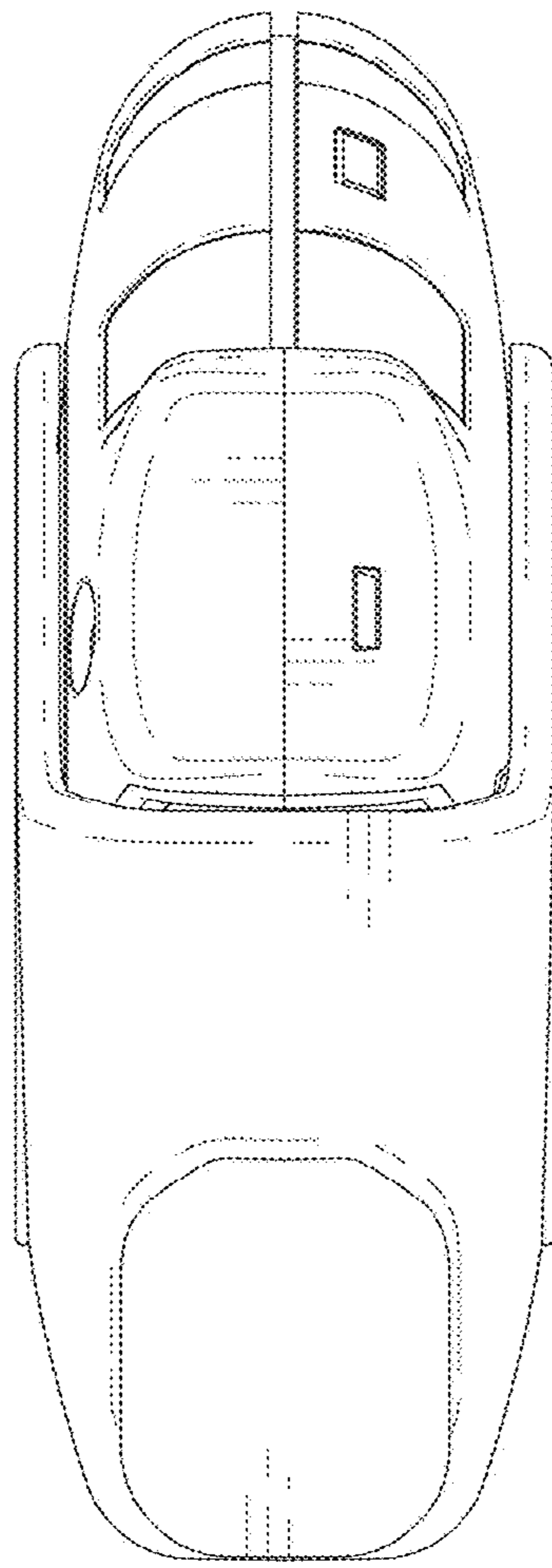


FIG. 11

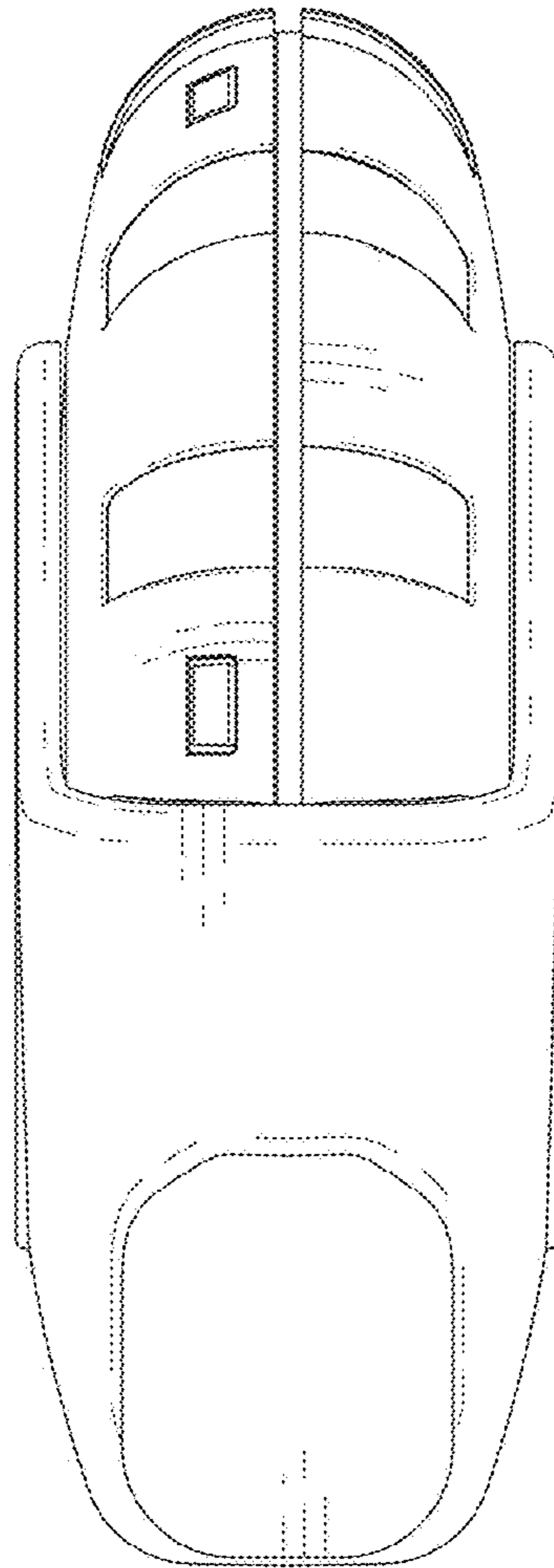


FIG. 12



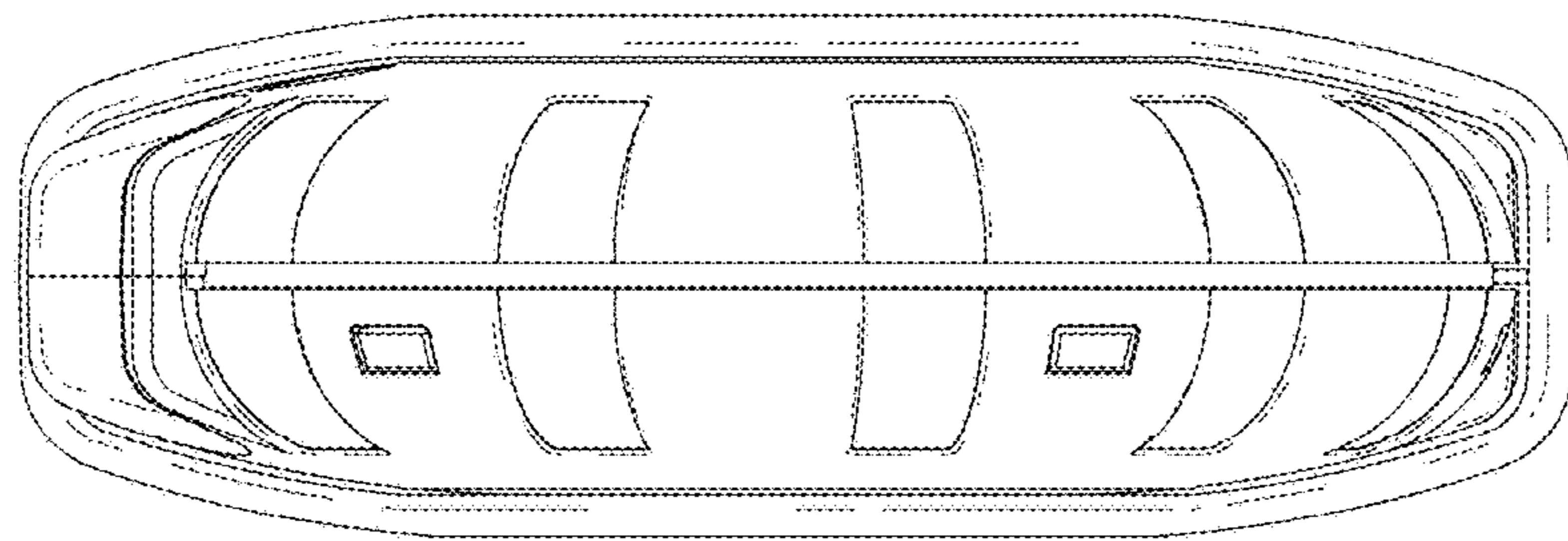


FIG. 13