



US00D838834S

(12) **United States Design Patent**  
**Mohabbat**

(10) **Patent No.:** **US D838,834 S**

(45) **Date of Patent:** **\*\* Jan. 22, 2019**

(54) **EAR PROTECTOR WITH VISUAL DISPLAY**

(71) Applicant: **Arshad Mohabbat**, St. Louis, MO  
(US)

(72) Inventor: **Arshad Mohabbat**, St. Louis, MO  
(US)

(\*\*) Term: **15 Years**

(21) Appl. No.: **29/628,933**

(22) Filed: **Dec. 8, 2017**

**Related U.S. Application Data**

(62) Division of application No. 29/572,760, filed on Jul. 29, 2016.

(51) **LOC (11) Cl.** ..... **24-04**

(52) **U.S. Cl.**  
USPC ..... **D24/106**

(58) **Field of Classification Search**  
USPC ..... D24/106, 173, 174; D11/46, 61;  
D29/112  
CPC ..... A61F 11/08; A61F 2011/085  
See application file for complete search history.

(56) **References Cited**

**U.S. PATENT DOCUMENTS**

D89,947 S \* 5/1933 Cohn ..... D24/106  
2,488,616 A \* 11/1949 Brown ..... A63B 33/00  
128/201.18

4,995,867 A \* 2/1991 Zollinger ..... A61F 11/00  
222/388  
D522,650 S \* 6/2006 Clawson ..... D24/106  
D698,026 S \* 1/2014 Kuwata ..... D24/174  
D746,517 S \* 12/2015 Hayashi ..... D29/112  
D776,281 S \* 1/2017 Fyrlund ..... D24/173  
2017/0086968 A1\* 3/2017 Prescott ..... A61F 2/18

\* cited by examiner

*Primary Examiner* — Richelle G Shelton

(74) *Attorney, Agent, or Firm* — Sandberg Phoenix & Von Gontard PC

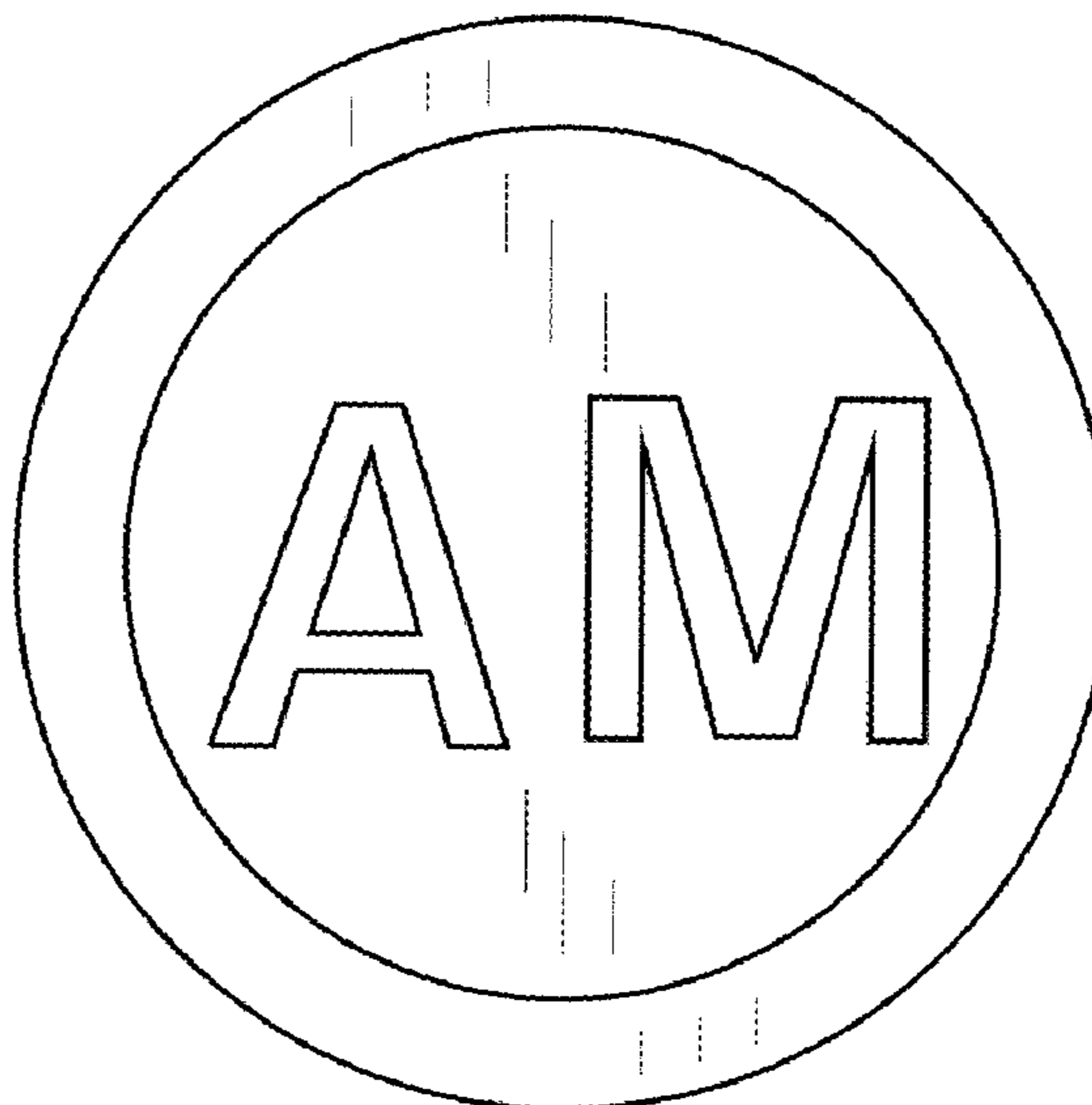
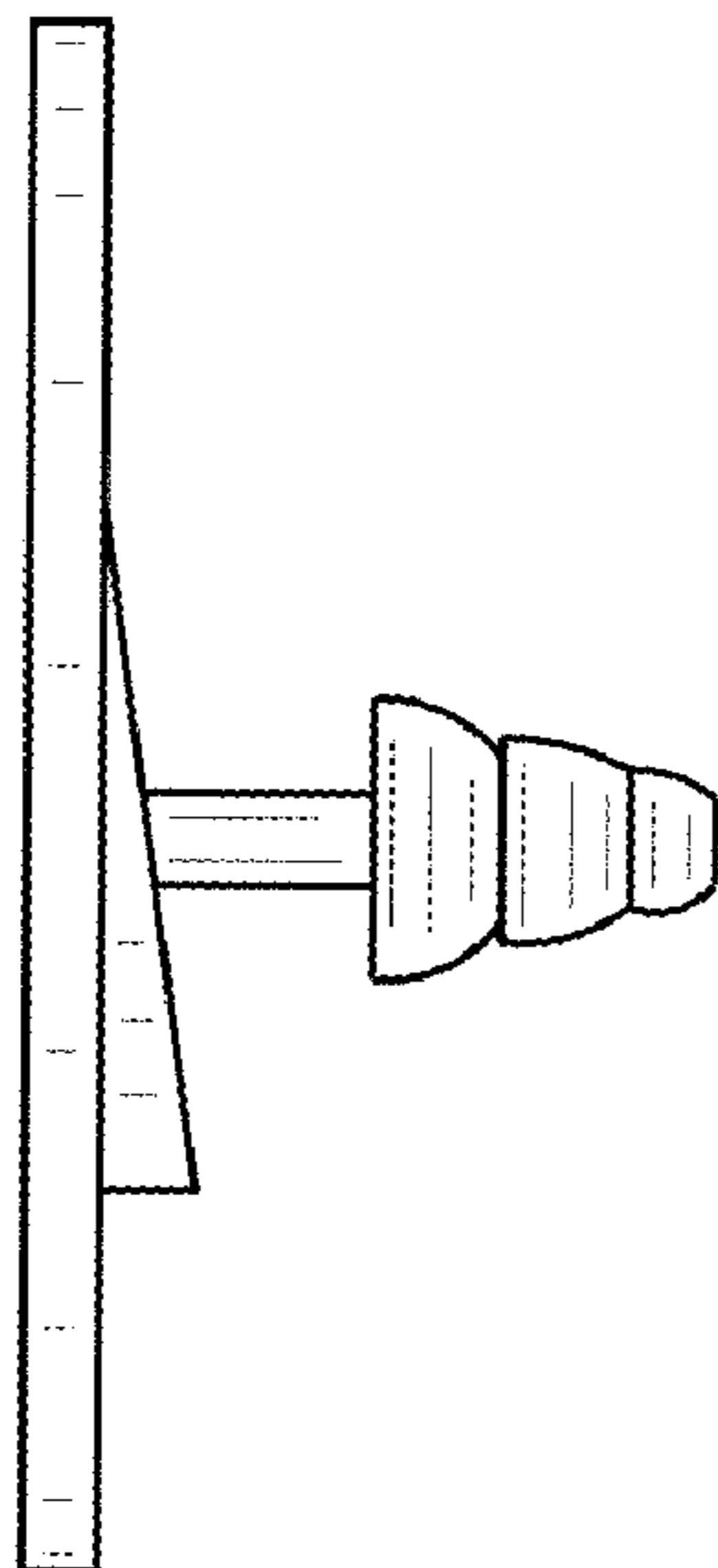
(57) **CLAIM**

The ornamental design for ear protector with visual display, as shown and described.

**DESCRIPTION**

FIG. 1 is a rear, left side perspective view of an ear protector with visual display showing my new design;  
FIG. 2 is a right side view thereof;  
FIG. 3 is a rear view thereof;  
FIG. 4 is a front view thereof;  
FIG. 5 is a partial perspective view of the ear bud, shown separately for clarity of illustration; and,  
FIG. 6 is a partial perspective view of an ear bud mount, shown separately for clarity of illustration.

**1 Claim, 2 Drawing Sheets**



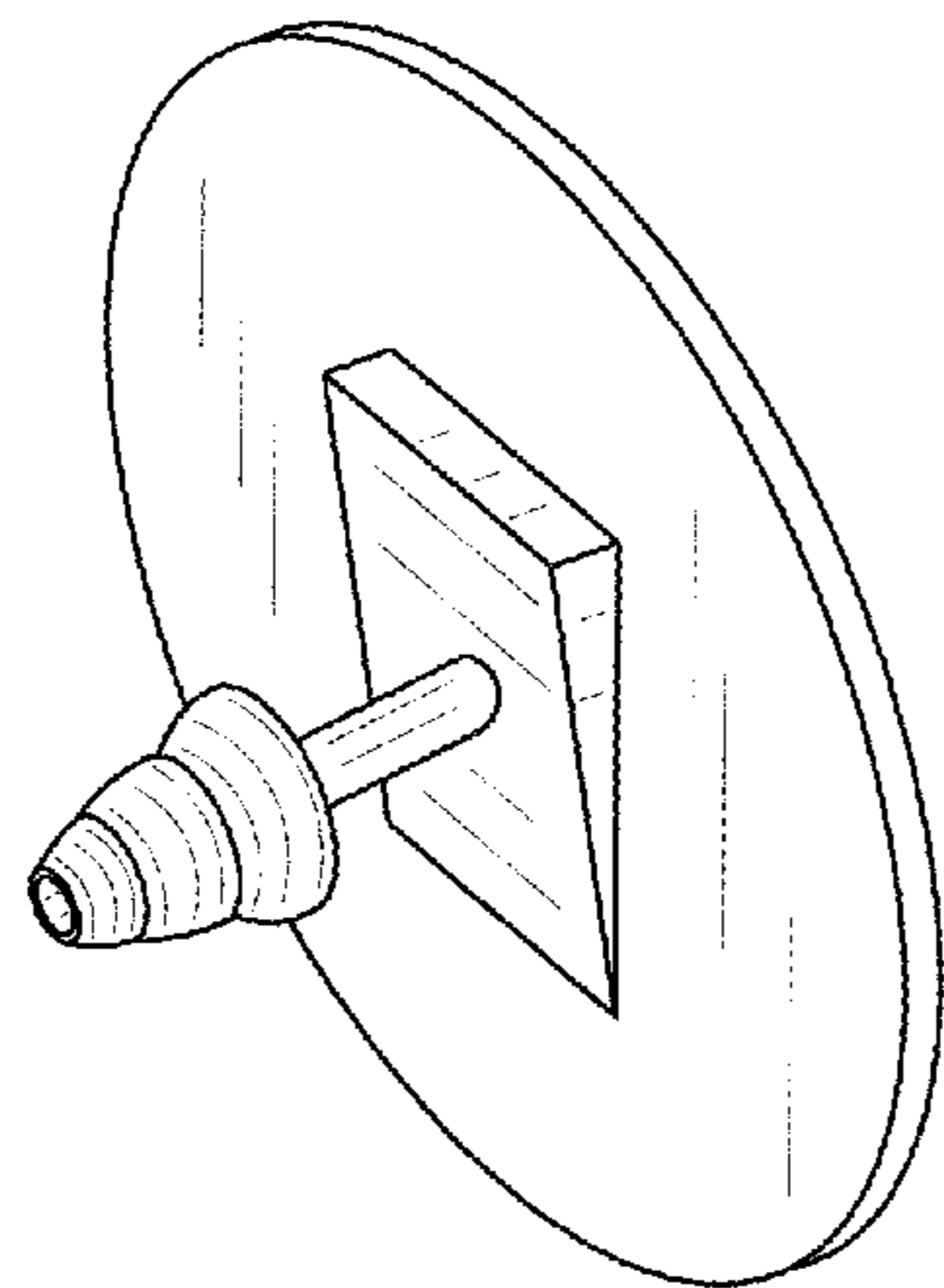


FIG. 1

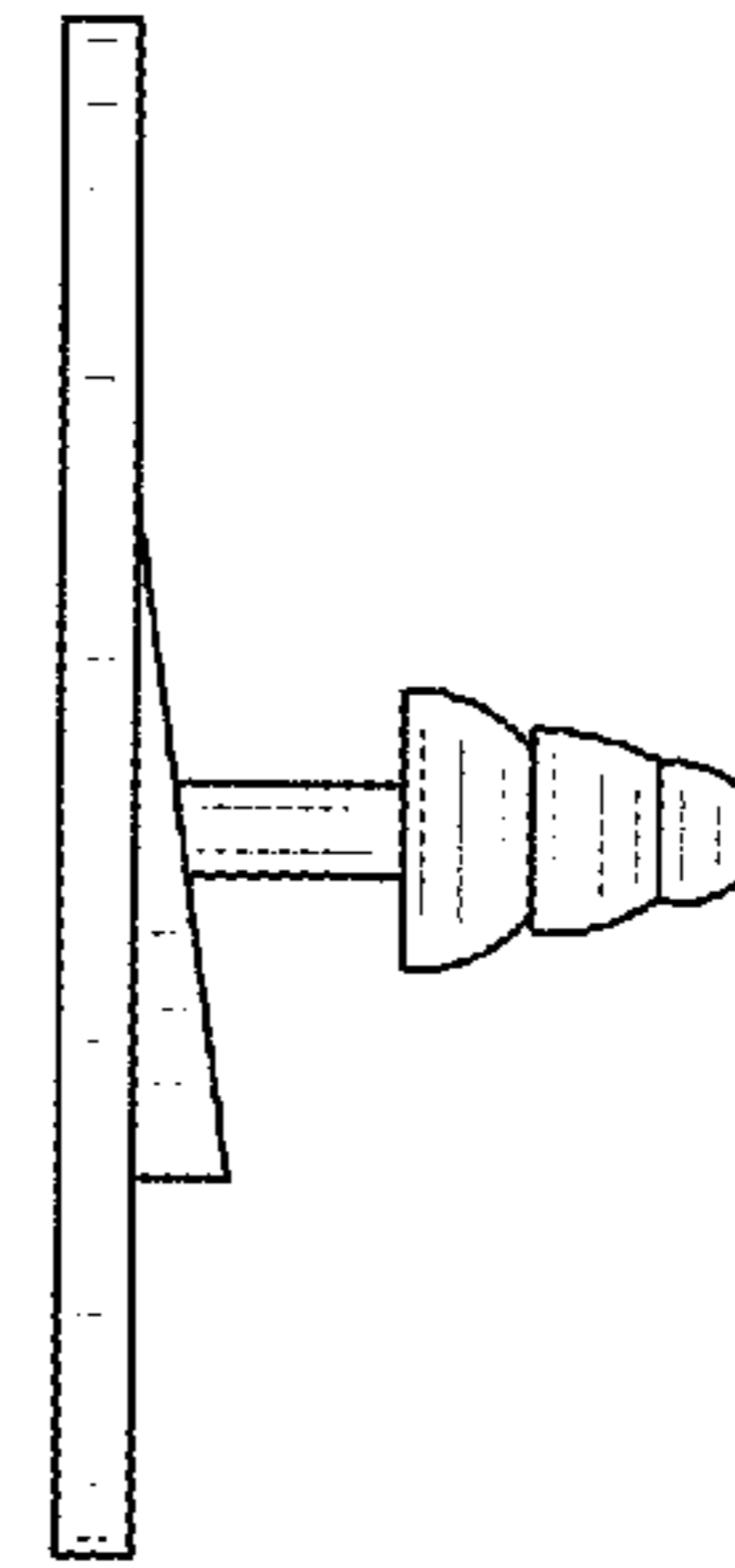


FIG. 2

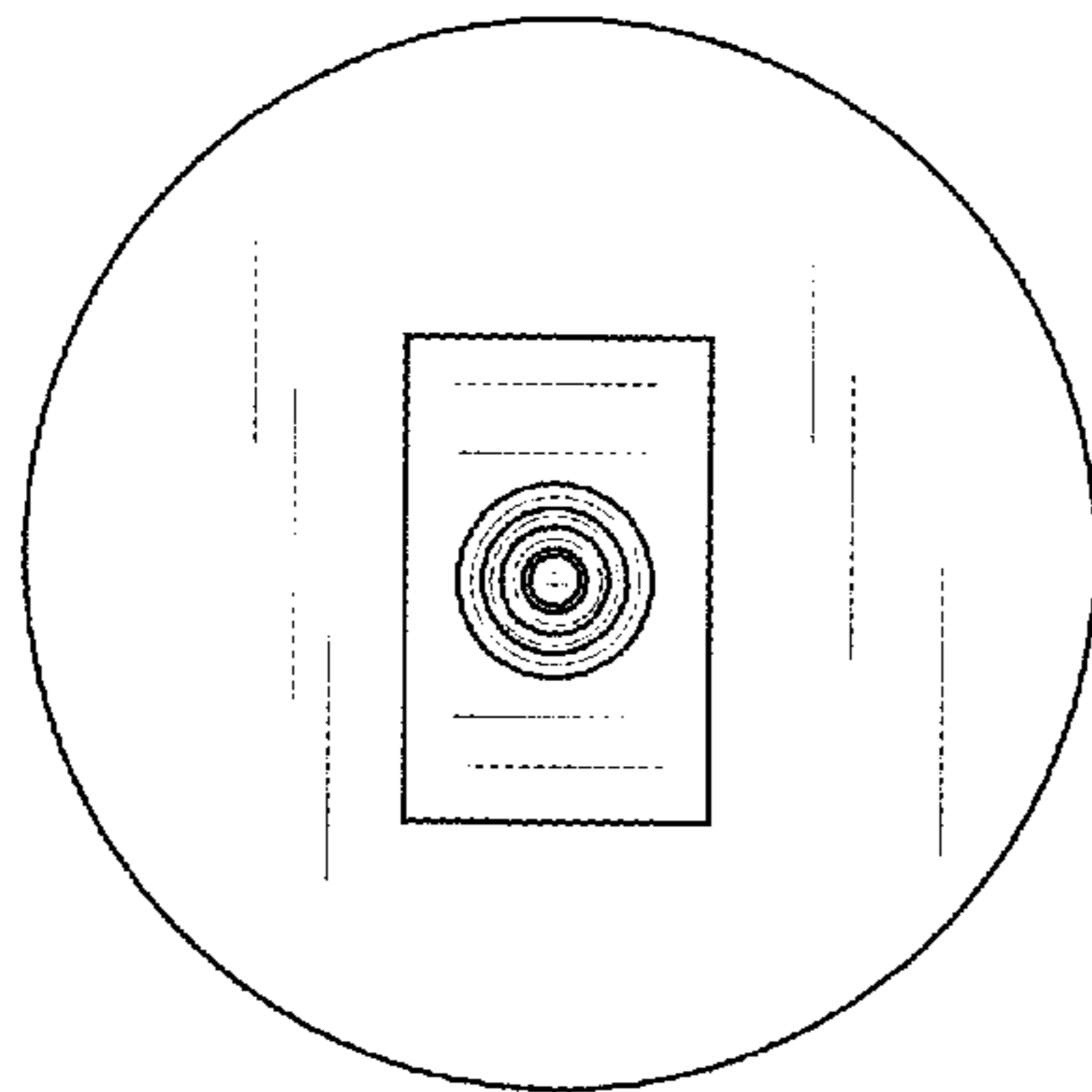


FIG. 3

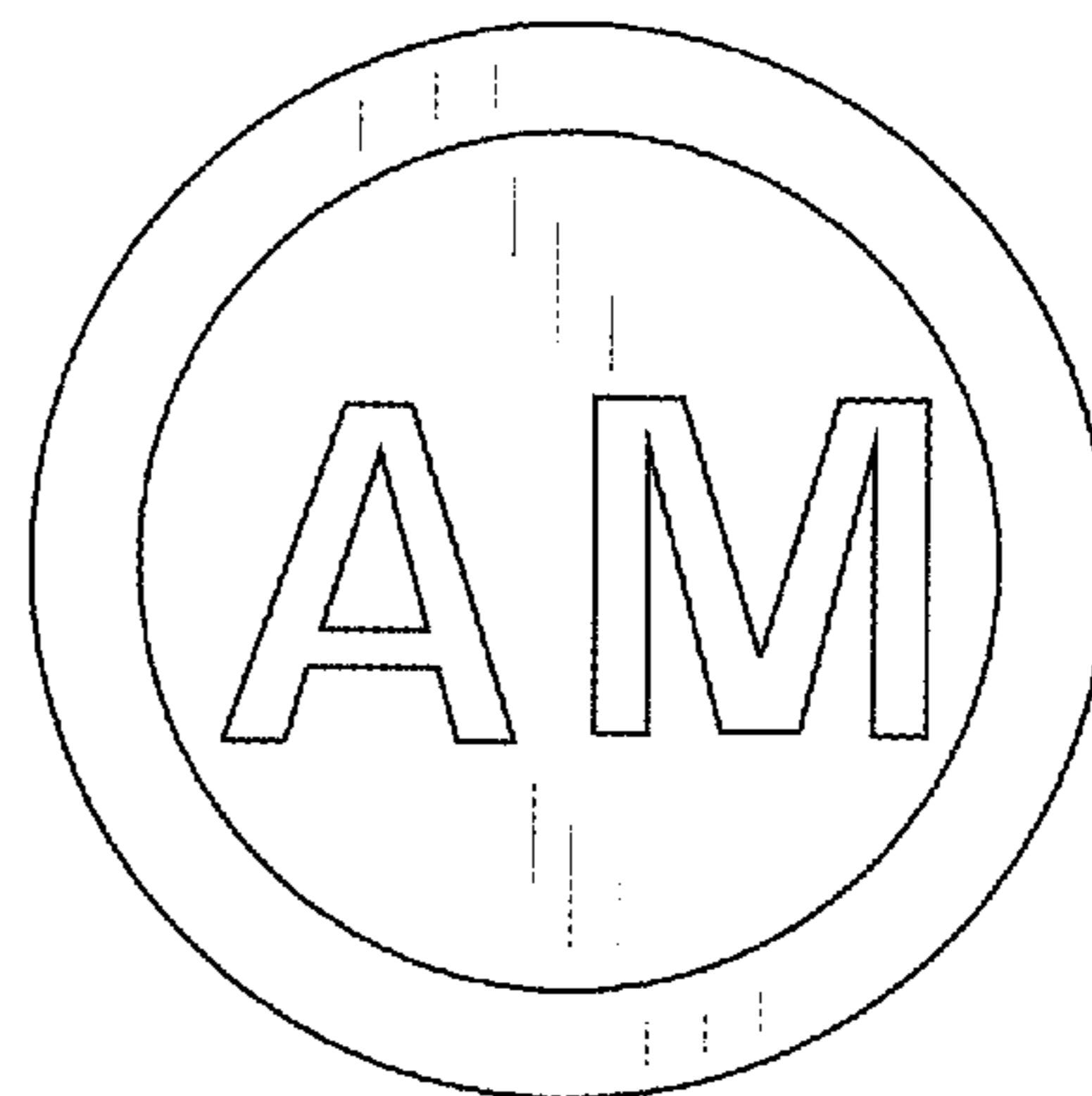


FIG. 4

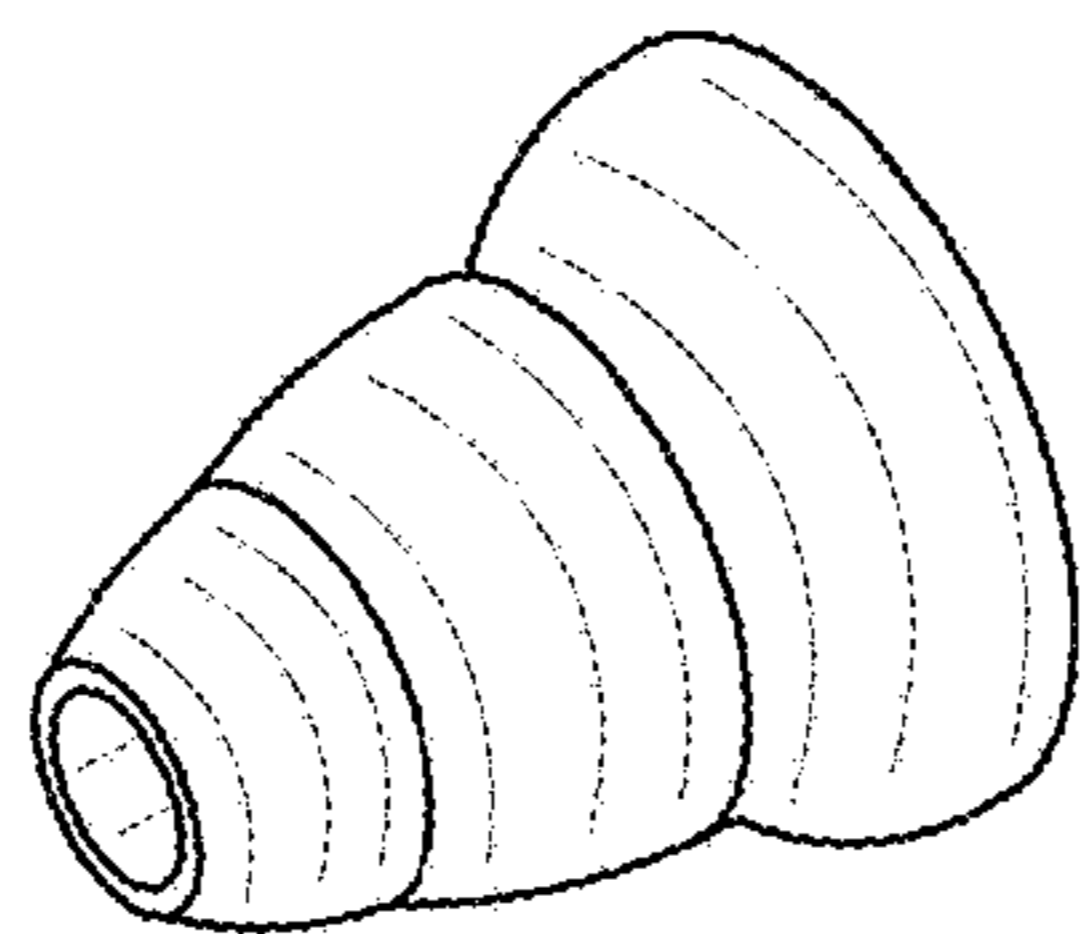


FIG. 5

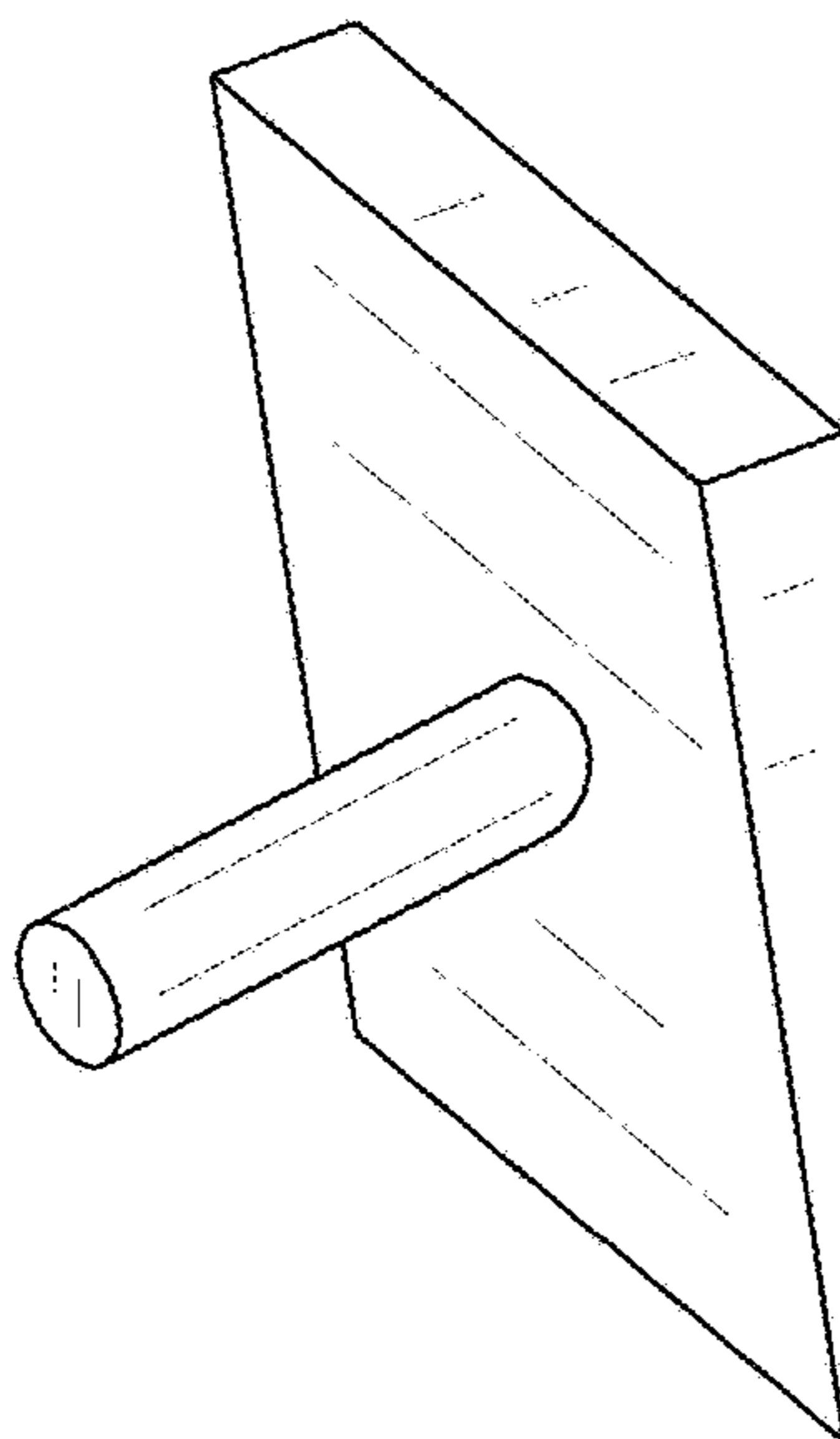


FIG. 6