



US00D838828S

(12) **United States Design Patent**
Jonsson et al.

(10) **Patent No.:** **US D838,828 S**

(45) **Date of Patent:** **** Jan. 22, 2019**

(54) **AIR FRESHENER DIFFUSER**

(71) Applicant: **ZOBELE HOLDING SPA**, Trento (IT)

(72) Inventors: **Åsa Jonsson**, Trento (IT); **Cedric Gobber**, Barcelona (ES); **Joaquim Llorente Alonso**, Barcelona (ES)

(73) Assignee: **ZOBELE HOLDING S.P.A.**, Trento (IT)

(**) Term: **15 Years**

(21) Appl. No.: **35/503,034**

(22) Filed: **Nov. 23, 2016**

(80) **Hague Agreement Data**

Int. Filing Date: **Nov. 23, 2016**

Int. Reg. No.: **DM/095369**

Int. Reg. Date: **Nov. 23, 2016**

Int. Reg. Pub. Date: **May 26, 2017**

(30) **Foreign Application Priority Data**

May 23, 2016 (ES) 0523403

(51) **LOC (11) Cl.** **28-99**

(52) **U.S. Cl.**
USPC **D23/366**

(58) **Field of Classification Search**

USPC D23/207, 208, 360, 364-369, 388;
D22/119, 122

CPC A61L 9/00; A61L 9/02; A61L 9/03; A61L 9/034; A61L 9/04; A61L 9/12; A61L 9/032; A61L 9/122; A61L 9/127; A61L 9/22; B01D 46/00; B01D 46/0002; B01D 46/20; F02M 35/04; F24F 13/20; A62B 21/00

See application file for complete search history.

(56) **References Cited**

U.S. PATENT DOCUMENTS

D517,407 S *	3/2006	Floyd	D9/435
D632,774 S *	2/2011	Hisey	D23/366
D656,022 S *	3/2012	Thielman	D9/435
D676,539 S *	2/2013	Sanders	D23/366
D676,540 S *	2/2013	Sanders	D23/366
D703,051 S *	4/2014	Riley	D9/441
D705,062 S *	5/2014	Jo	A61L 9/03 D9/435
D715,910 S *	10/2014	Lin	A61L 9/03 D23/366
D732,652 S *	6/2015	Furner	D23/366
D781,708 S *	3/2017	Jasso Gomez	D9/451
D817,171 S *	5/2018	Patrick	D9/451
D828,530 S *	9/2018	Brandenburg	D23/366

* cited by examiner

Primary Examiner — Keli L Hill

(74) *Attorney, Agent, or Firm* — Ostrolenk Faber LLP

(57) **CLAIM**

The ornamental design for an air freshener diffuser, as shown and described.

DESCRIPTION

5. Parts of air freshener diffusers

5.1 is a first side elevation view.

5.2 is a second side elevation view.

5.3 is a third side elevation view.

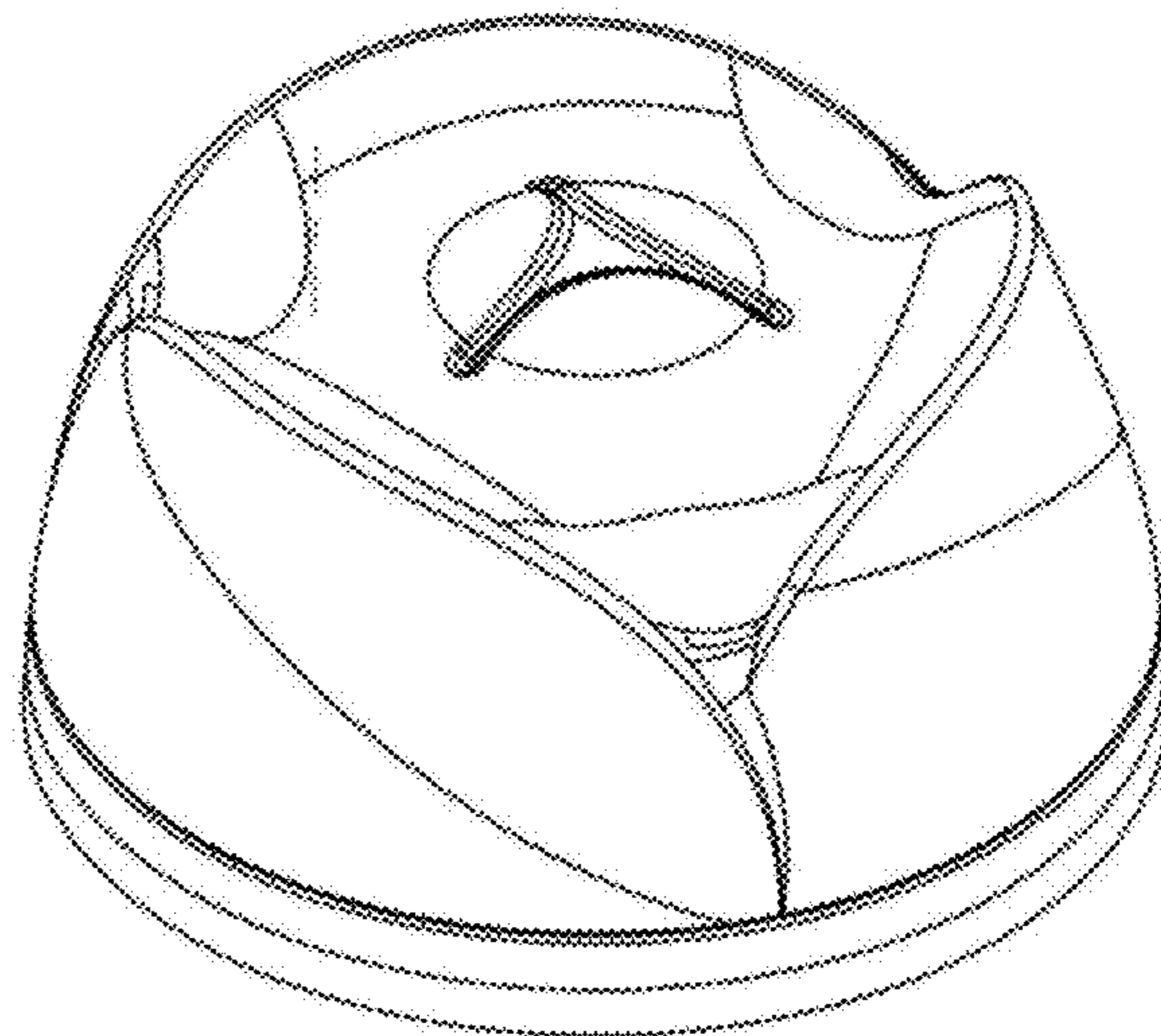
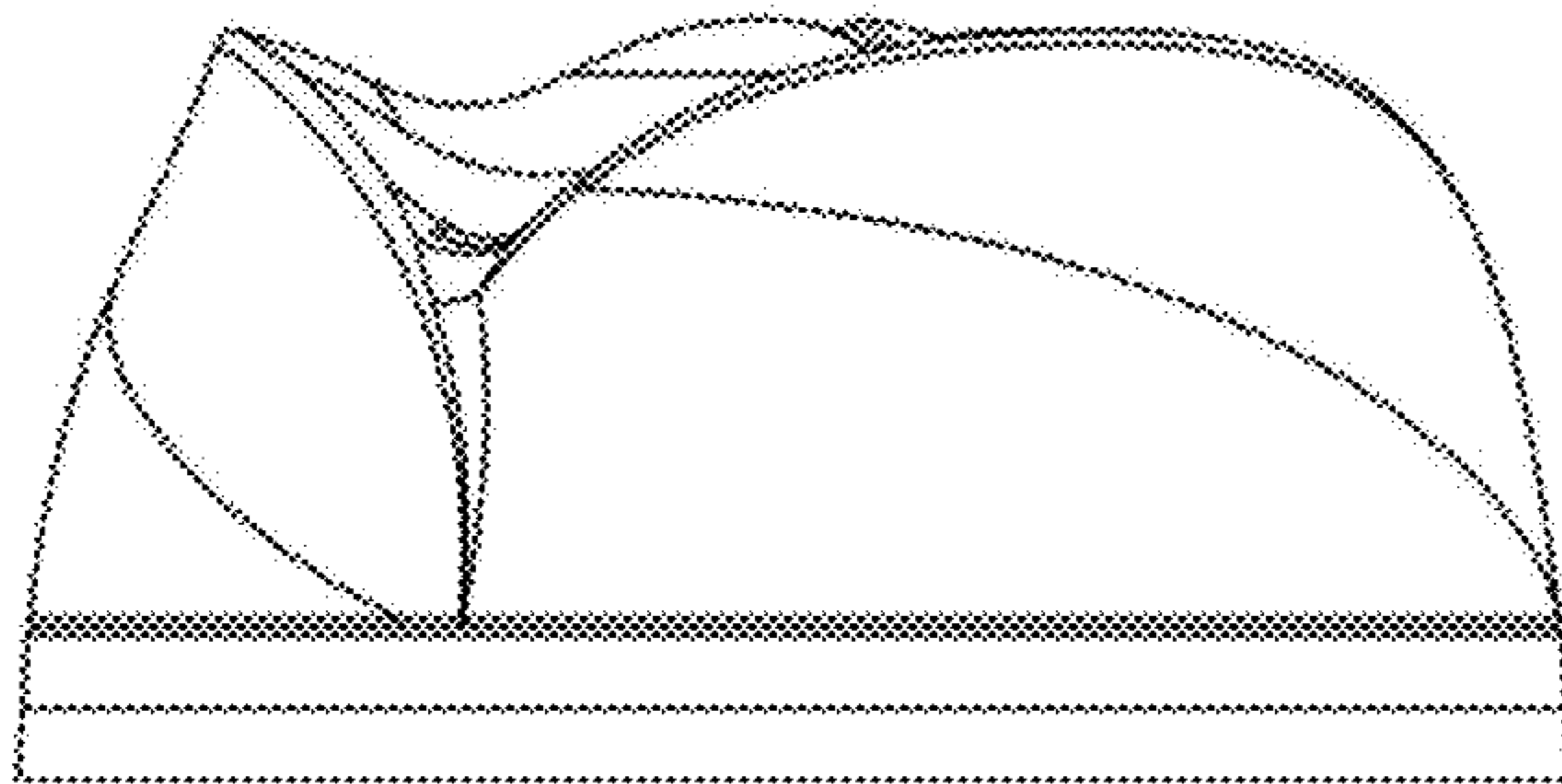
5.4 is a bottom plan view.

5.5 is a perspective view.

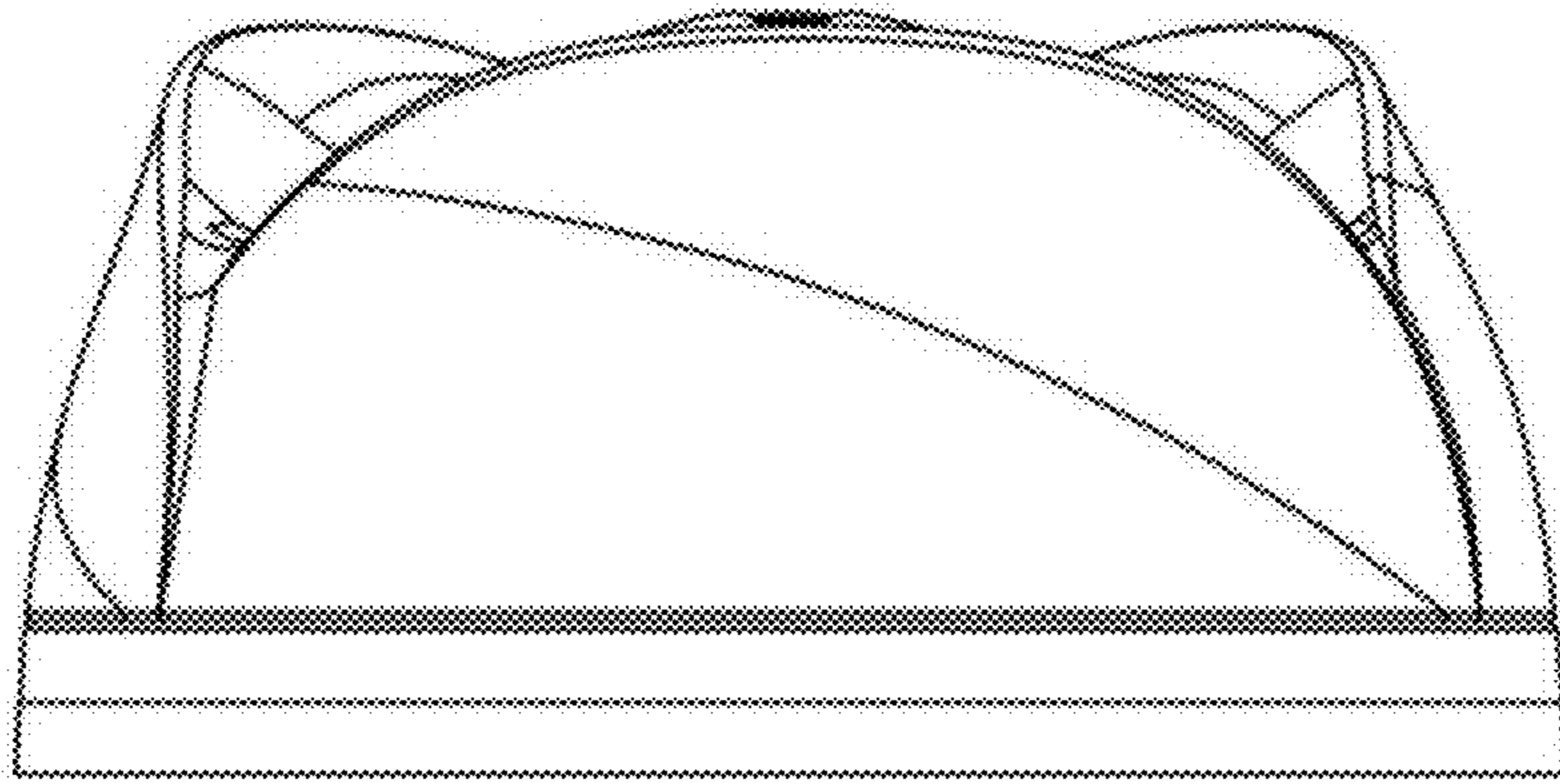
5.6 is a top plan view.

5.7 is an alternate perspective view.

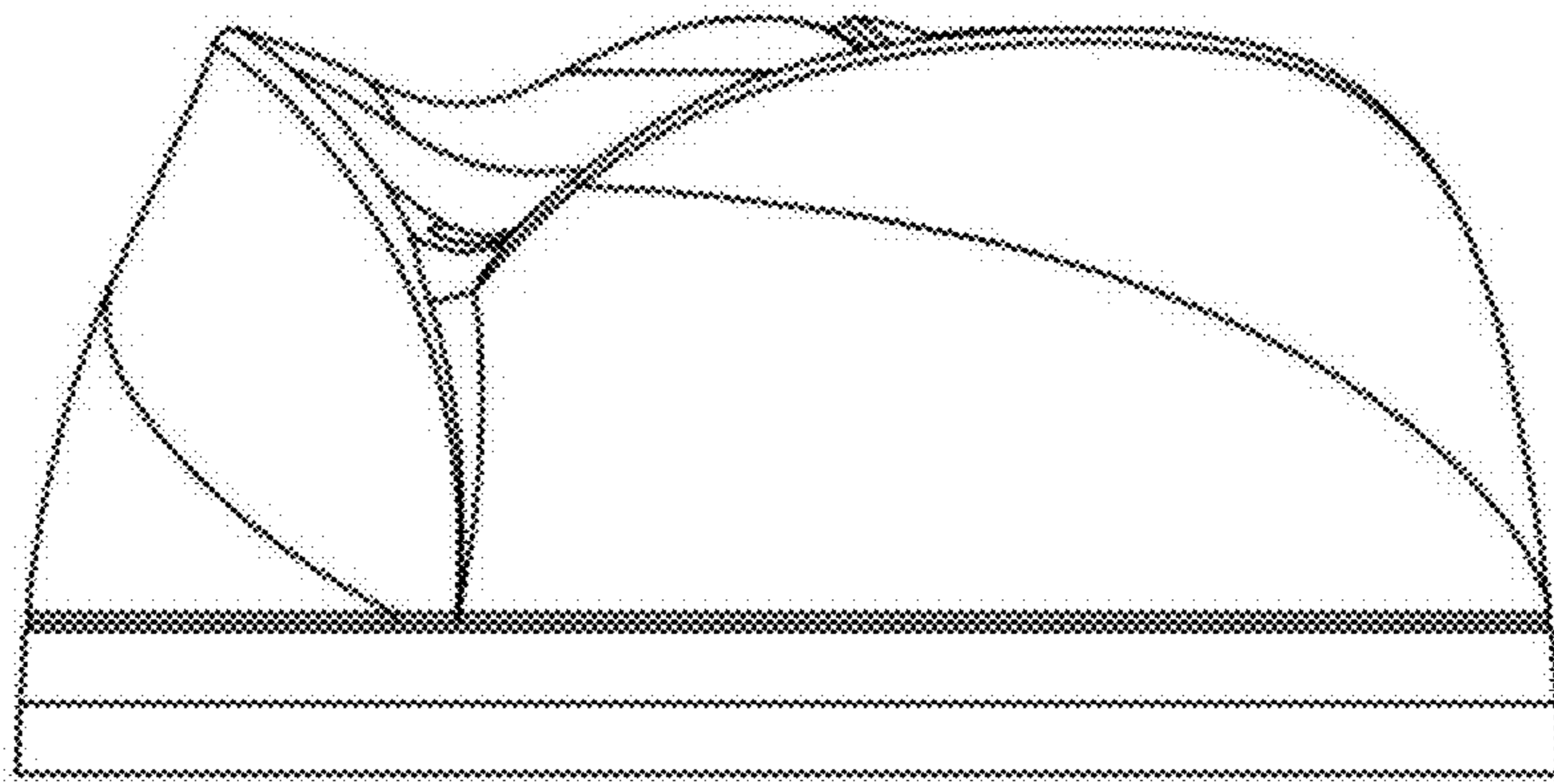
1 Claim, 7 Drawing Sheets



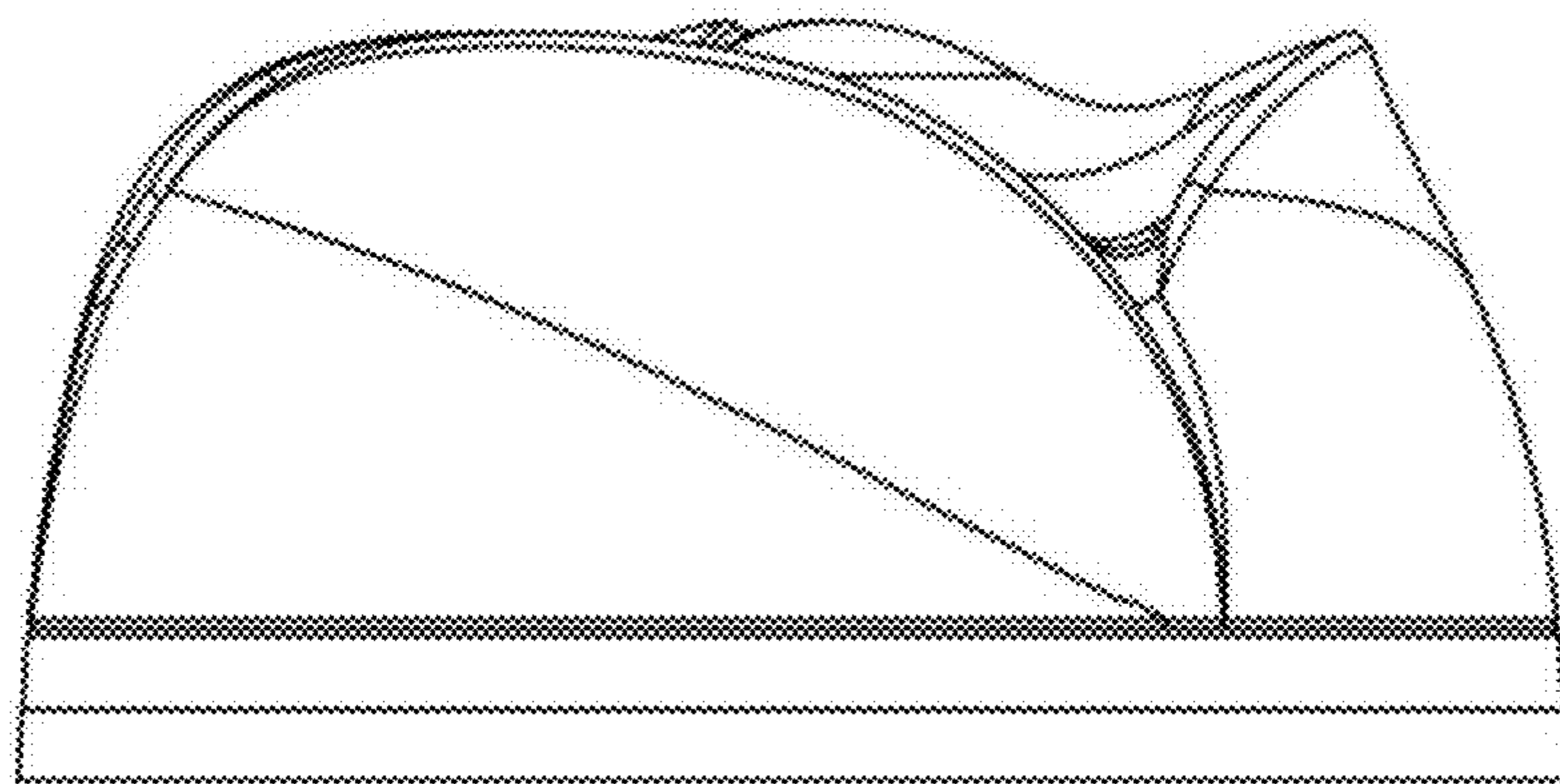
5.1



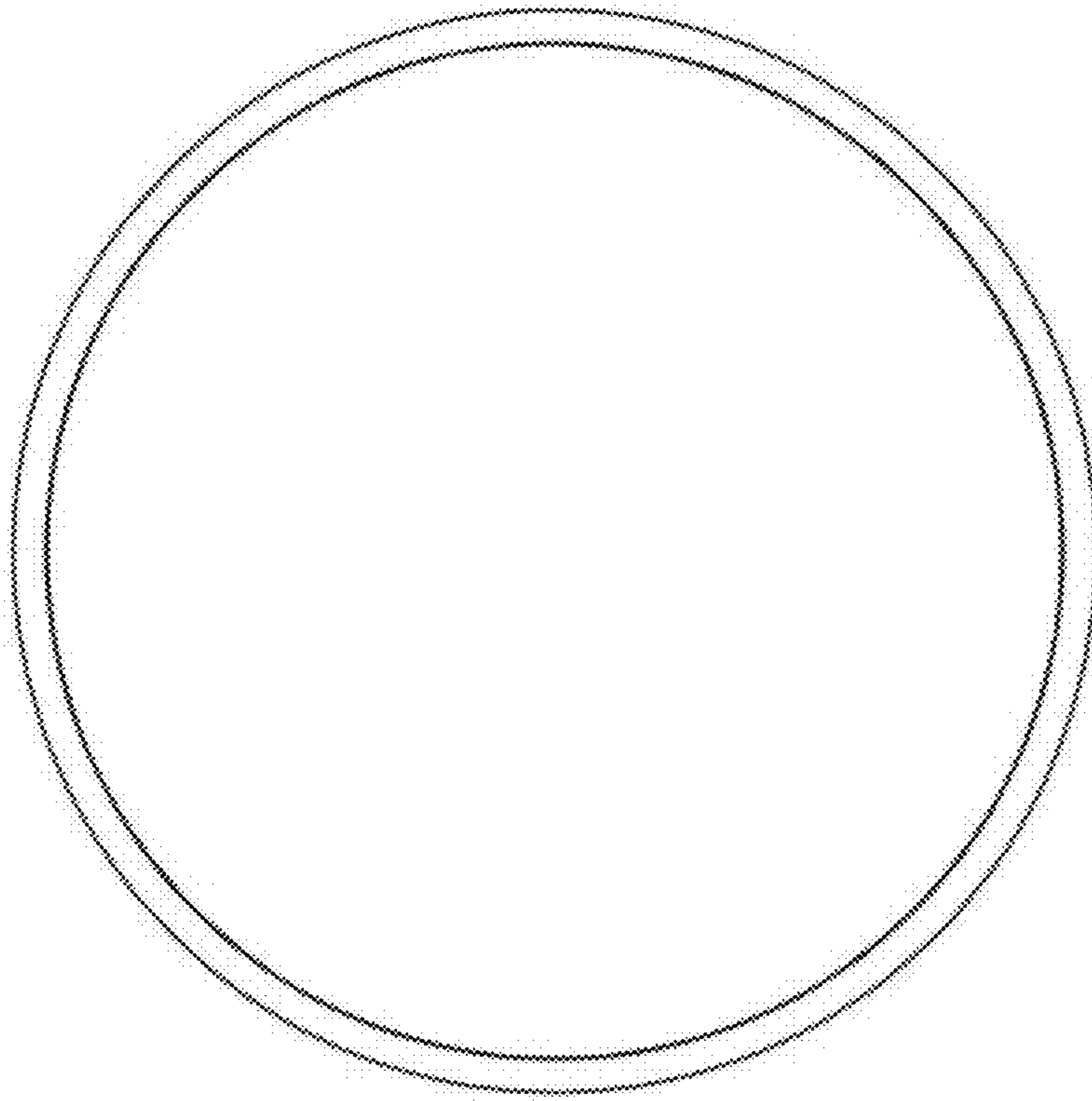
5.2



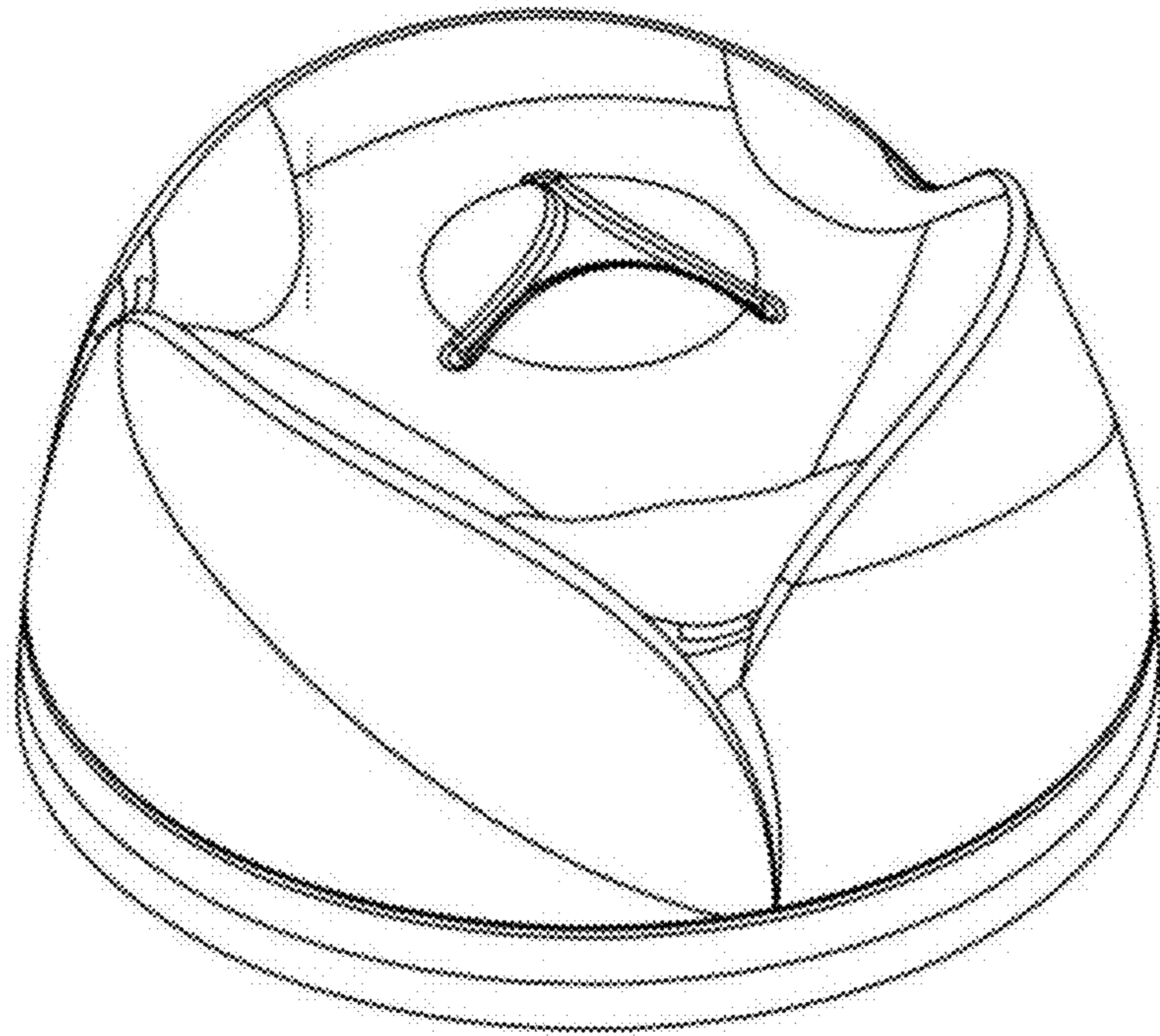
5.3



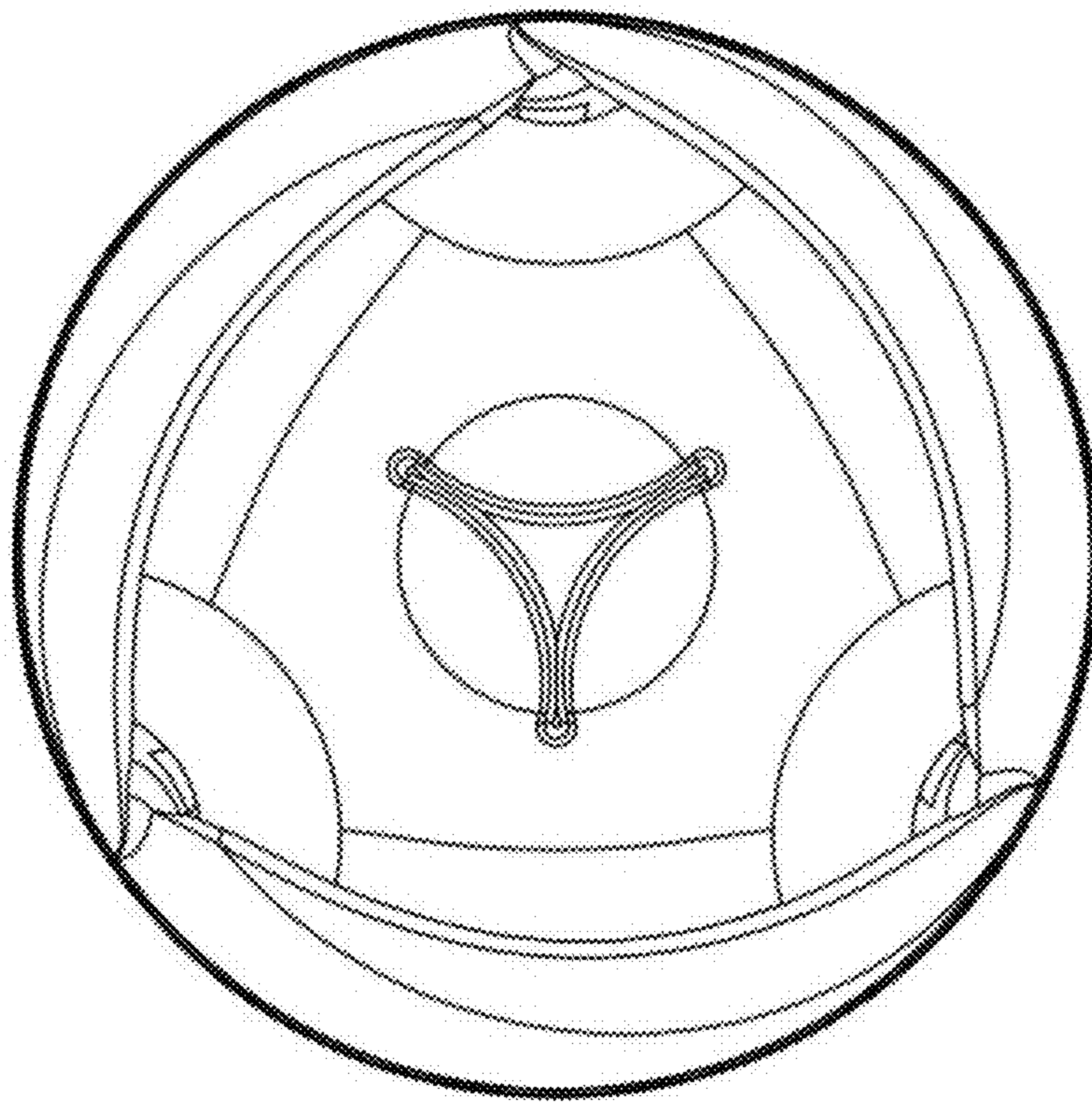
5.4



5.5



5.6



5.7

