



US00D838827S

(12) **United States Design Patent**
Chang

(10) **Patent No.:** **US D838,827 S**

(45) **Date of Patent:** **** Jan. 22, 2019**

(54) **AROMATIC BOTTLE**

(71) Applicant: **Guangzhou Faner Aroma Product Co., Ltd.**, Guangzhou (CN)

(72) Inventor: **Hsu-Hui Chang**, Guangzhou (CN)

(73) Assignee: **GUANGZHOU FANER AROMA PRODUCT CO., LTD.**, Guangzhou, Guangdong (CN)

(**) Term: **15 Years**

(21) Appl. No.: **29/616,928**

(22) Filed: **Sep. 11, 2017**

(51) **LOC (11) Cl.** **28-99**

(52) **U.S. Cl.**
USPC **D23/366**

(58) **Field of Classification Search**
USPC D23/314, 325, 333-336, 355-367,
D23/386-388
CPC . A61L 9/03; A61L 9/012; A61L 9/015; A61L
9/037
See application file for complete search history.

(56) **References Cited**

U.S. PATENT DOCUMENTS

D544,084 S * 6/2007 Michaels D23/366
D597,645 S * 8/2009 Thompson D23/366

D629,880 S * 12/2010 Hisey D23/366
D631,534 S * 1/2011 Kajizuka D23/366
D696,761 S * 12/2013 Jorgensen D23/366
D707,806 S * 6/2014 Brewer D23/366
D729,923 S * 5/2015 Chou D23/366
D732,653 S * 6/2015 Hsiao D23/366
D741,987 S * 10/2015 Gamble D23/366
D760,885 S * 7/2016 Lin D23/366

* cited by examiner

Primary Examiner — Brandon M Rosati

Assistant Examiner — John A Voytek

(74) *Attorney, Agent, or Firm* — Leong C. Lei

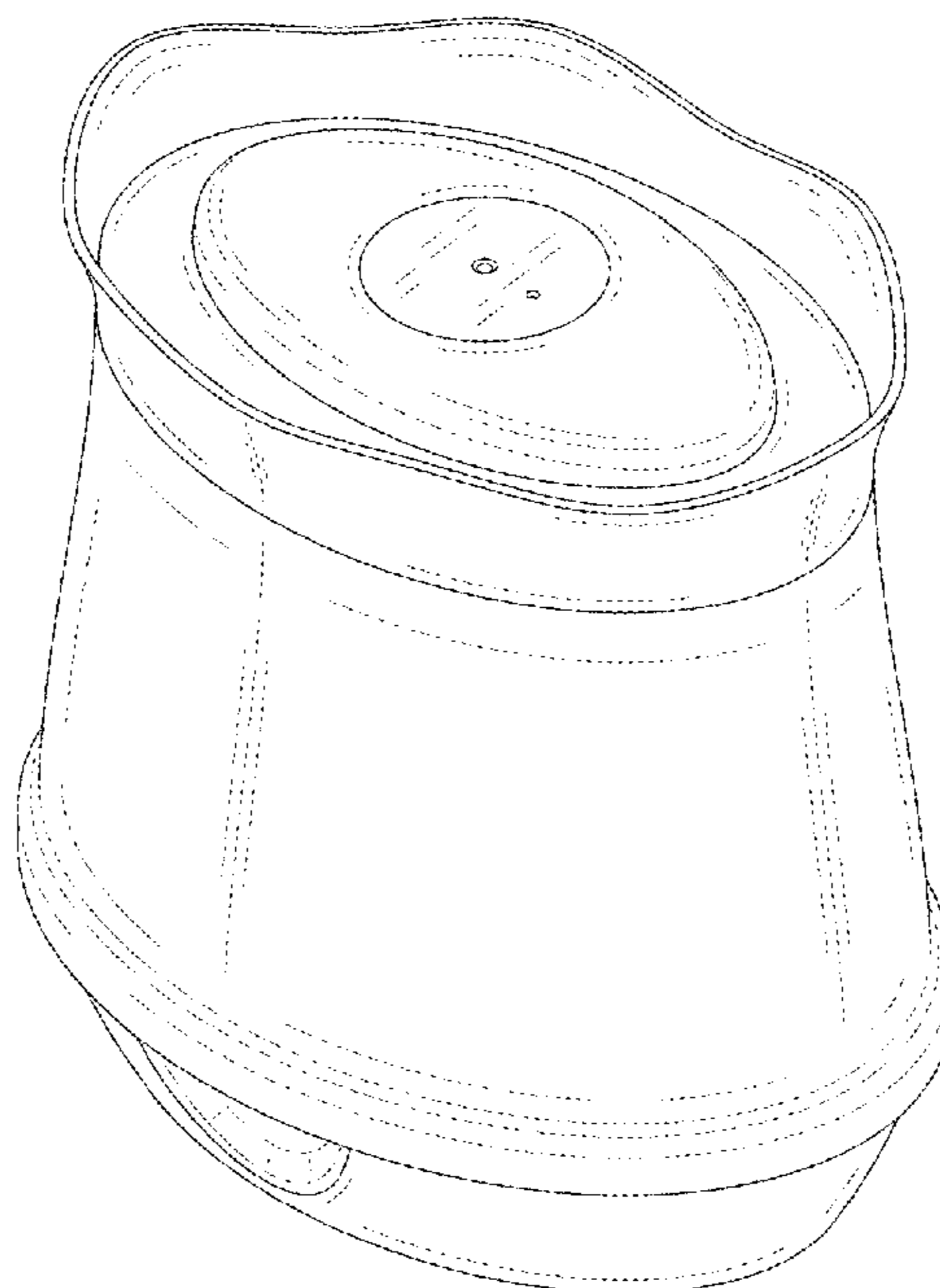
(57) **CLAIM**

The ornamental design for an aromatic bottle, as shown and described.

DESCRIPTION

FIG. 1 is a front perspective view of an aromatic bottle showing my new design;
FIG. 2 is a front elevational view thereof;
FIG. 3 is a rear elevational view thereof;
FIG. 4 is a left elevational view thereof;
FIG. 5 is a right elevational view thereof;
FIG. 6 is a top plan view thereof; and,
FIG. 7 is a bottom plan view thereof.

1 Claim, 7 Drawing Sheets



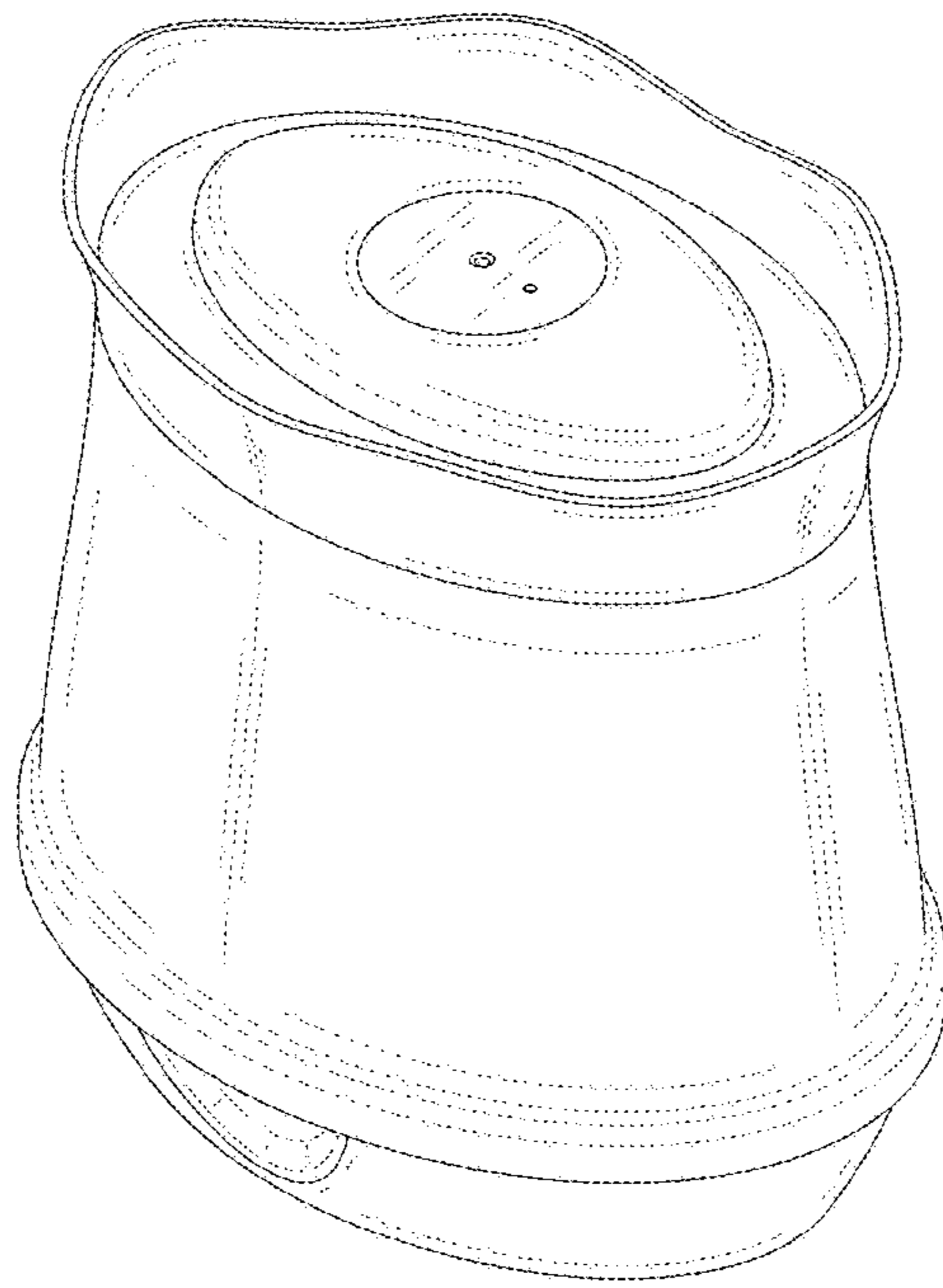


FIG. 1

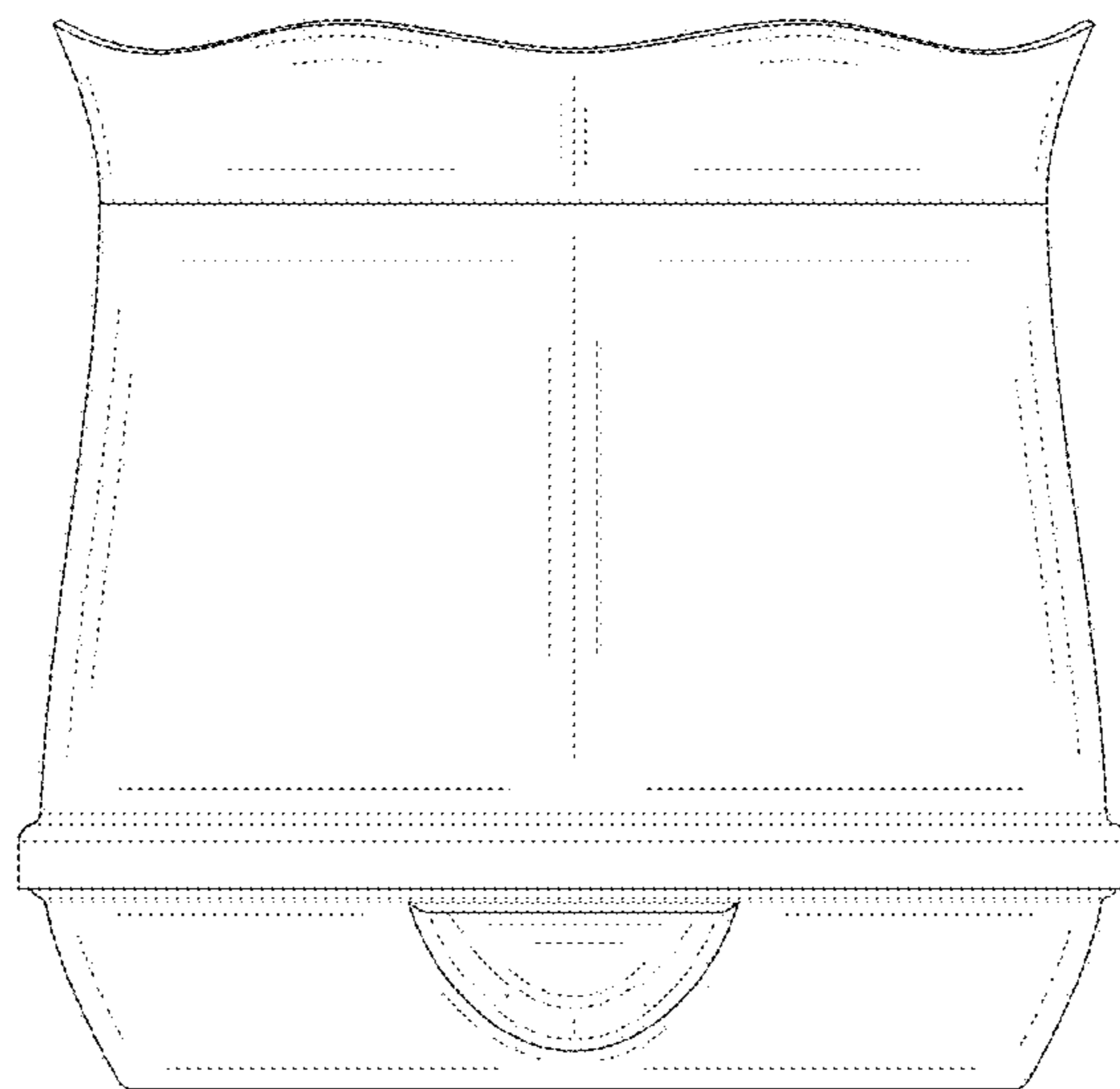


FIG. 2

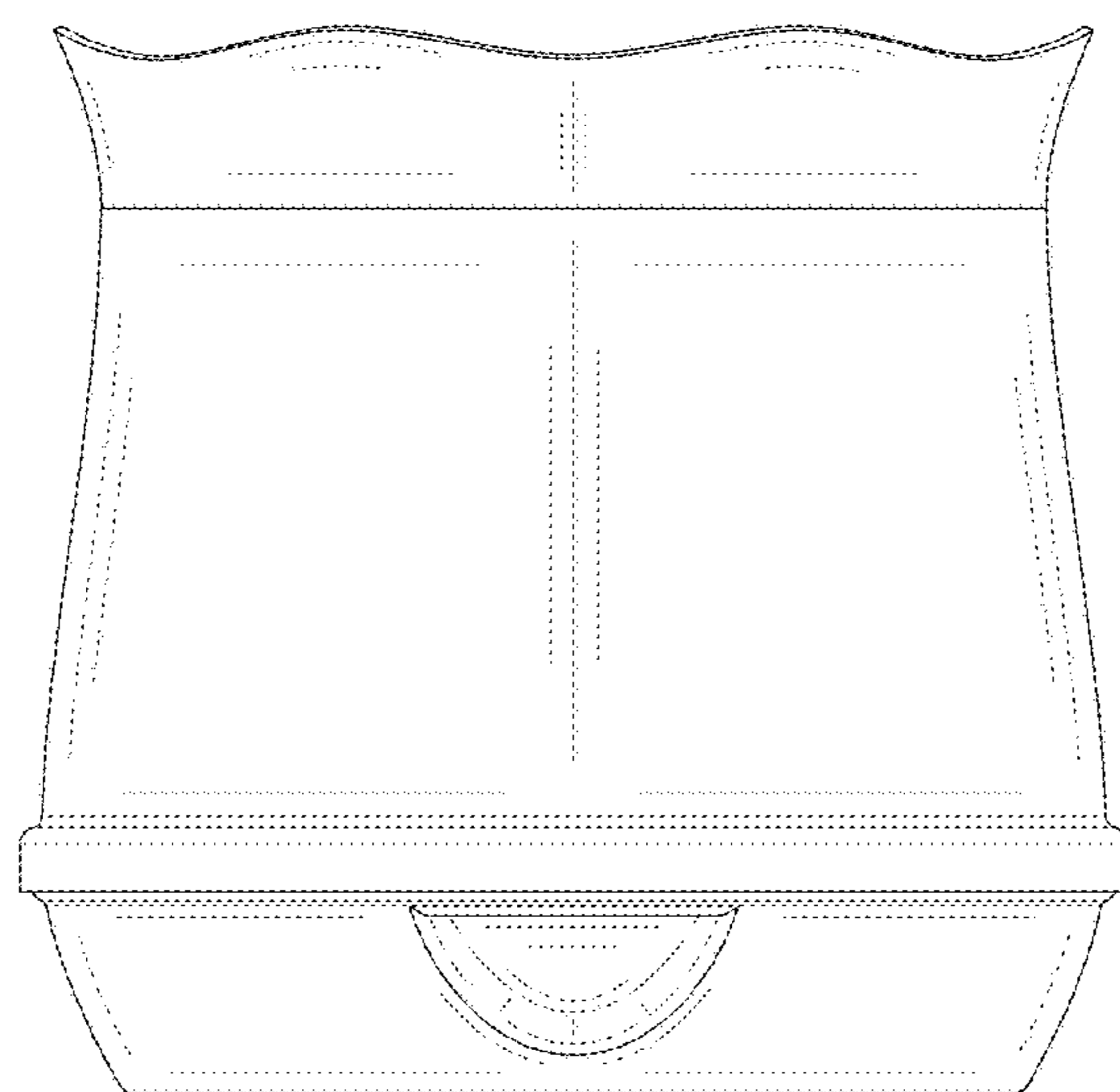


FIG. 3

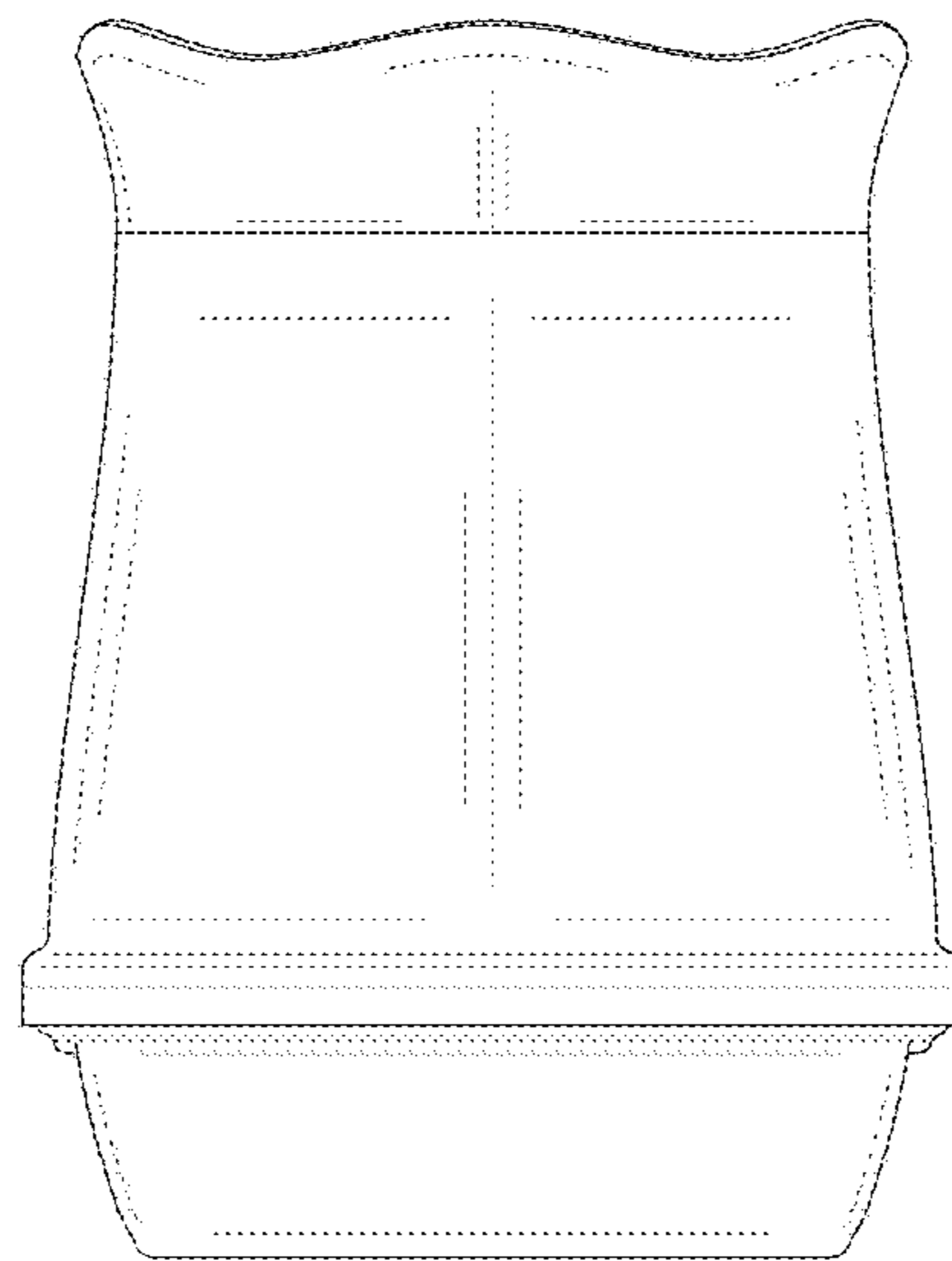


FIG. 4

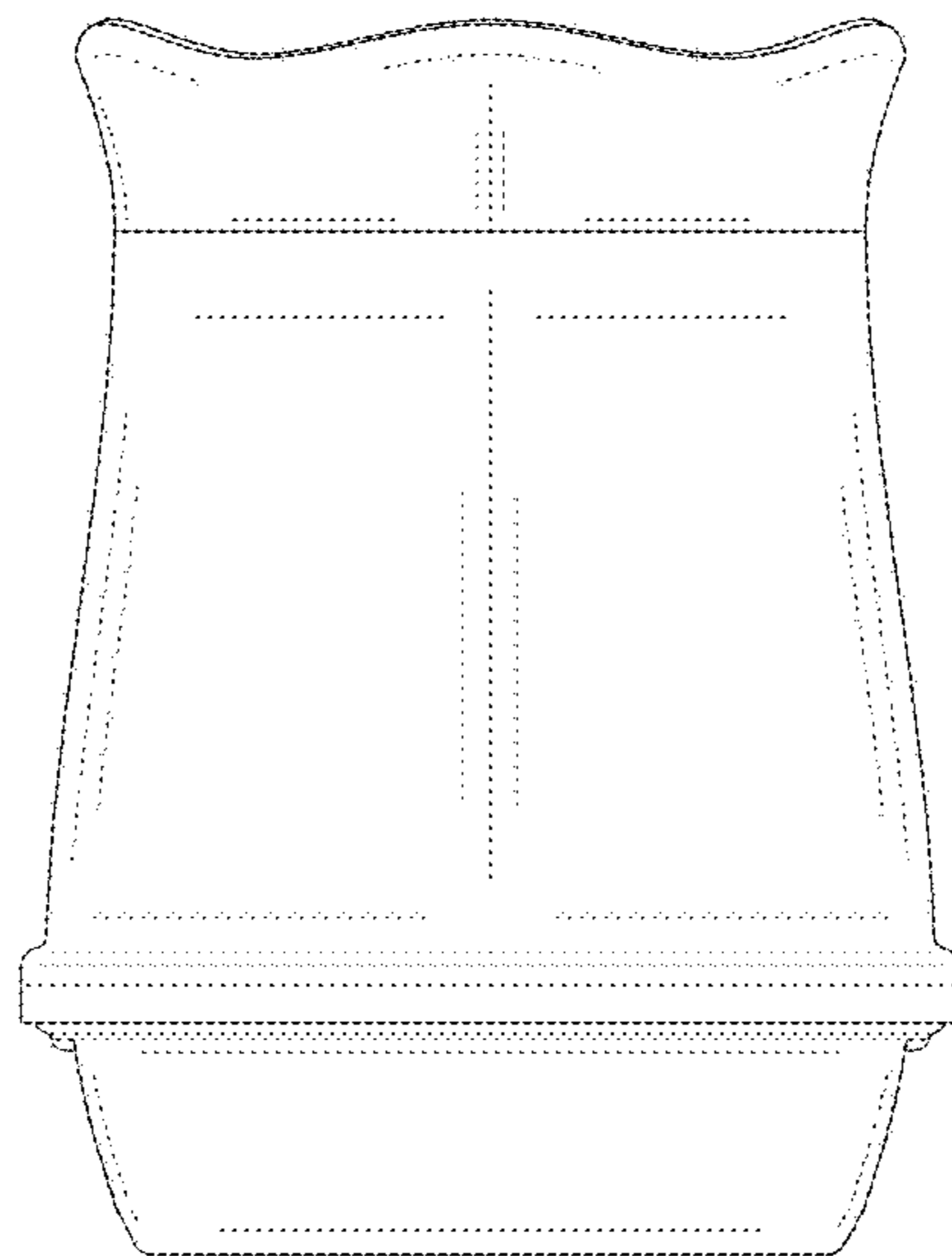


FIG. 5

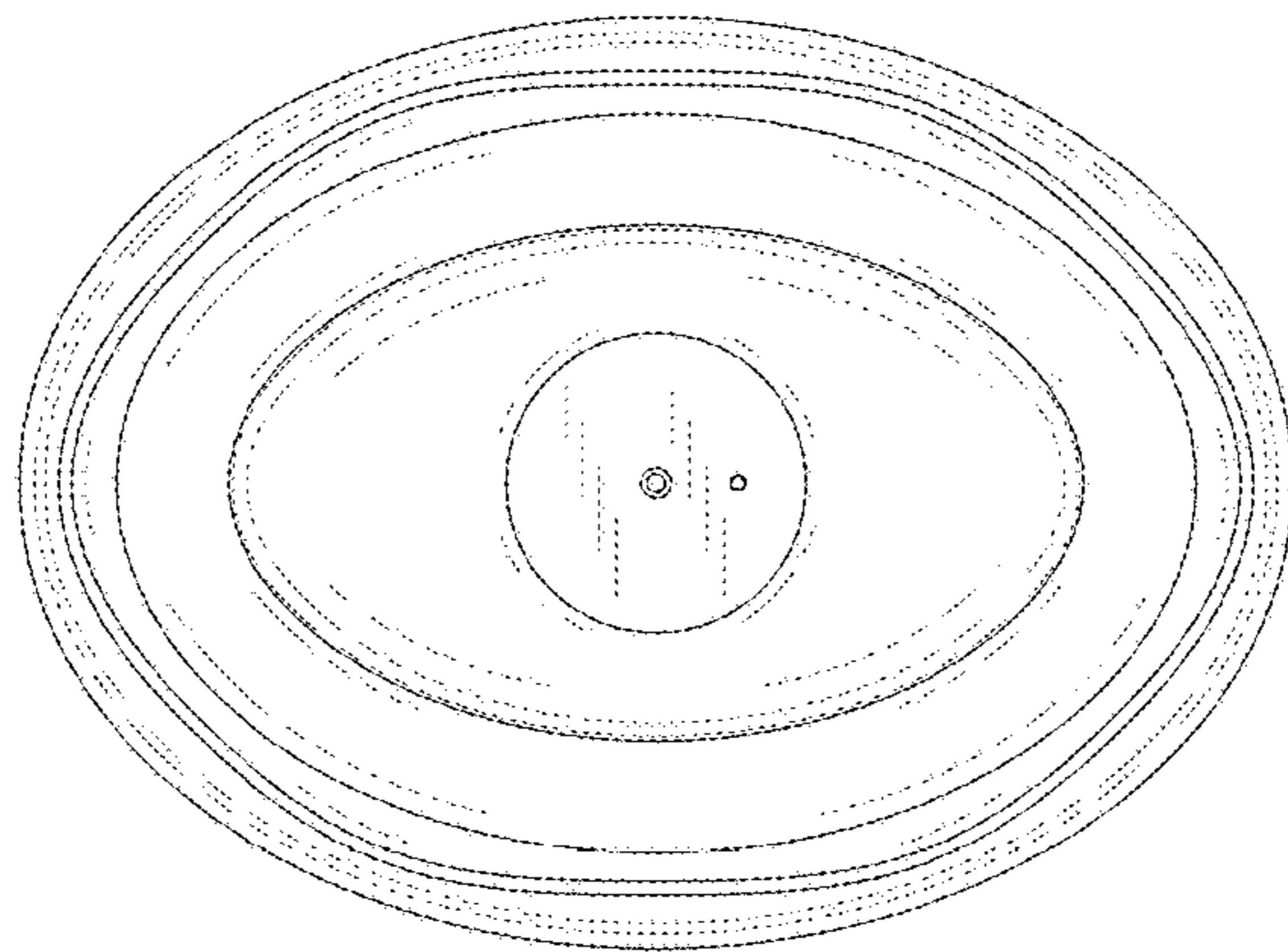


FIG. 6

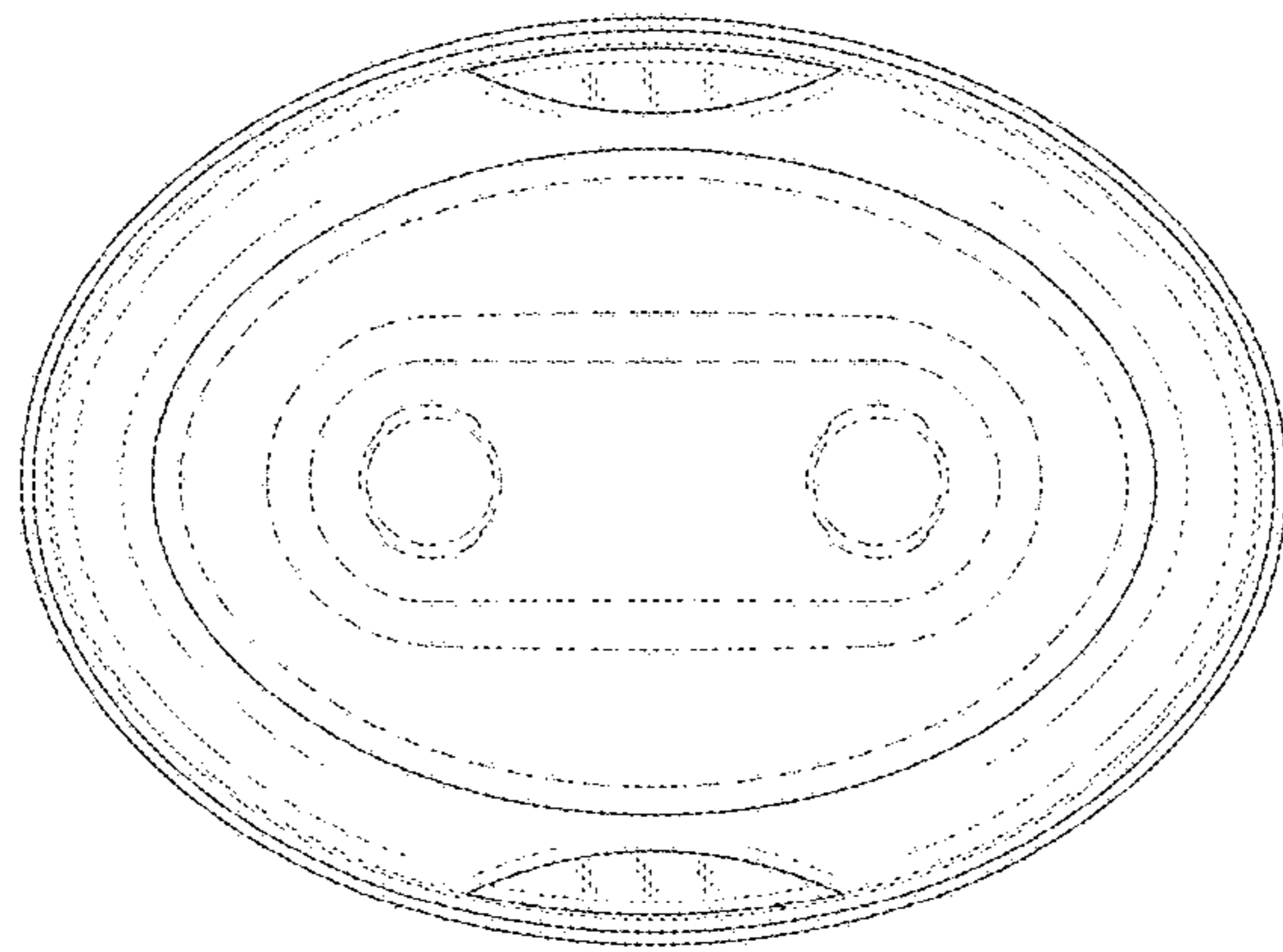


FIG. 7