



US00D838825S

(12) **United States Design Patent**
Sullivan

(10) **Patent No.:** **US D838,825 S**

(45) **Date of Patent:** **** Jan. 22, 2019**

(54) **PORTABLE DIFFUSER**

OTHER PUBLICATIONS

(71) Applicant: **Scentsy, Inc.**, Meridian, ID (US)

Scentsy Go Portable Diffuser found online [Jun. 29, 2018]—<https://scentsy.com/shop/c/4690/scentsy-go>.*

(72) Inventor: **Mark Sullivan**, Meridian, ID (US)

* cited by examiner

(73) Assignee: **Scentsy, Inc.**, Meridian, ID (US)

Primary Examiner — Brandon M Rosati

(**) Term: **15 Years**

Assistant Examiner — John A Voytek

(21) Appl. No.: **29/610,746**

(74) *Attorney, Agent, or Firm* — TraskBritt

(22) Filed: **Jul. 14, 2017**

(57) **CLAIM**

(51) **LOC (11) Cl.** **28-99**

The ornamental design for a portable diffuser, as shown and described.

(52) **U.S. Cl.**

USPC **D23/366**

DESCRIPTION

(58) **Field of Classification Search**

USPC D23/314, 325, 333–336, 355–367,
D23/386–388

CPC . A61L 9/03; A61L 9/012; A61L 9/015; A61L
9/037

See application file for complete search history.

FIG. 1 is a front perspective view of an embodiment of a portable diffuser according to our new design.

FIG. 2 is a back perspective view of the portable diffuser shown in FIG. 1.

FIG. 3 is a front side view of the portable diffuser shown in FIG. 1.

FIG. 4 is a back side view of the portable diffuser shown in FIG. 1.

FIG. 5 is a right side view of the portable diffuser shown in FIG. 1.

FIG. 6 is a left side view of the portable diffuser shown in FIG. 1.

FIG. 7 is a top view of the portable diffuser shown in FIG. 1; and,

FIG. 8 is a bottom view of the portable diffuser shown in FIG. 1.

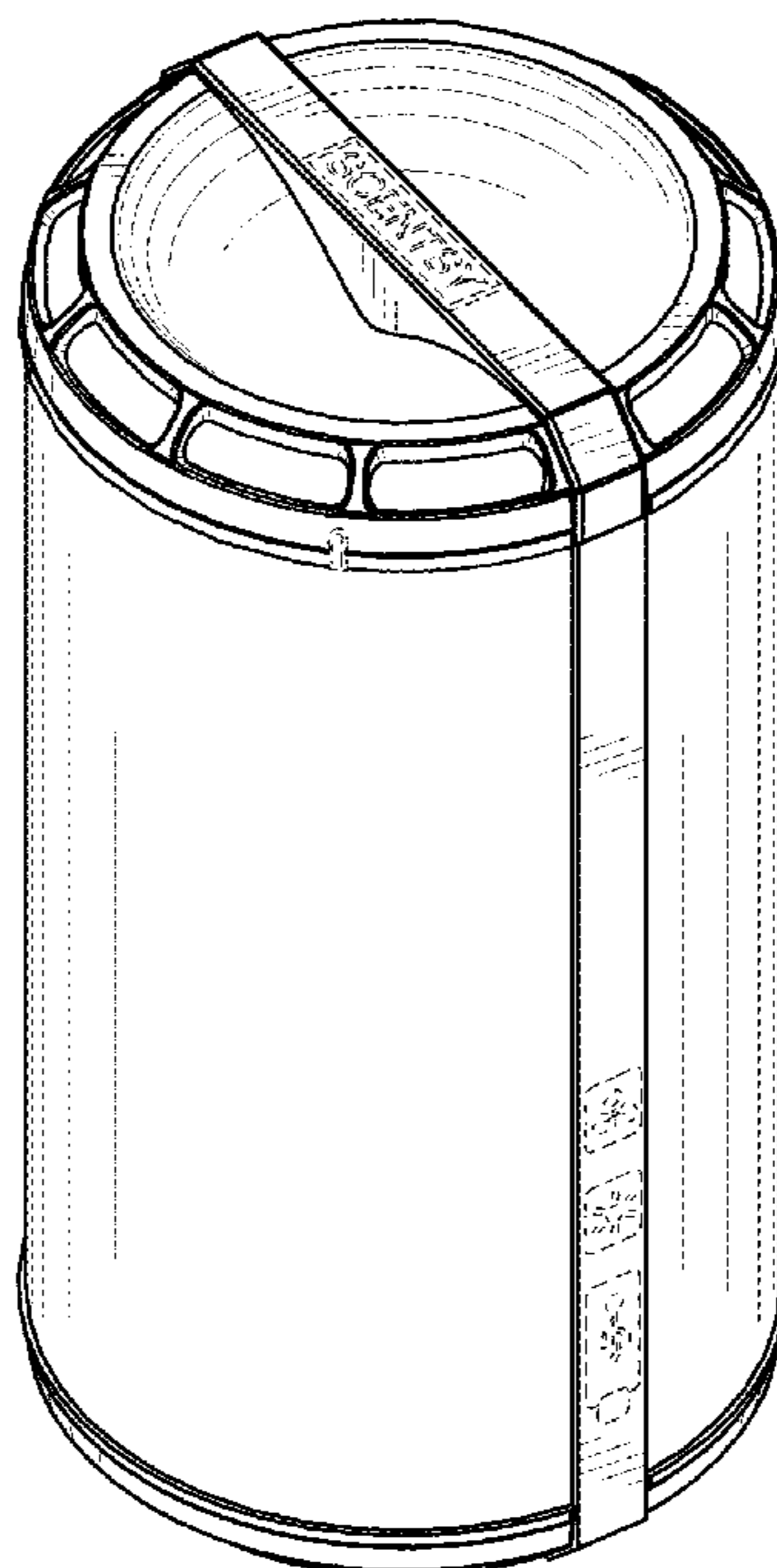
The broken lines in FIGS. 1-8 are for environmental purposes only and do not form any part of the claimed design.

(56) **References Cited**

U.S. PATENT DOCUMENTS

D434,843 S	*	12/2000	Zaragoza	D23/366
D620,577 S	*	7/2010	Hsiao	D23/366
D652,681 S	*	1/2012	Monugian	D7/510
D721,920 S	*	2/2015	Coon	D7/510
D724,895 S	*	3/2015	Kawase	D7/510
D726,869 S	*	4/2015	Lepine	D23/209
D735,294 S	*	7/2015	Reid	D23/209
D752,732 S	*	3/2016	Ansley	D23/366
D754,310 S	*	4/2016	Norman	D23/355
D757,921 S	*	5/2016	Li	D23/366
D803,369 S	*	11/2017	Kim	D23/364
D804,002 S	*	11/2017	Huang	D23/364
D810,265 S	*	2/2018	Chen	D23/366

1 Claim, 4 Drawing Sheets



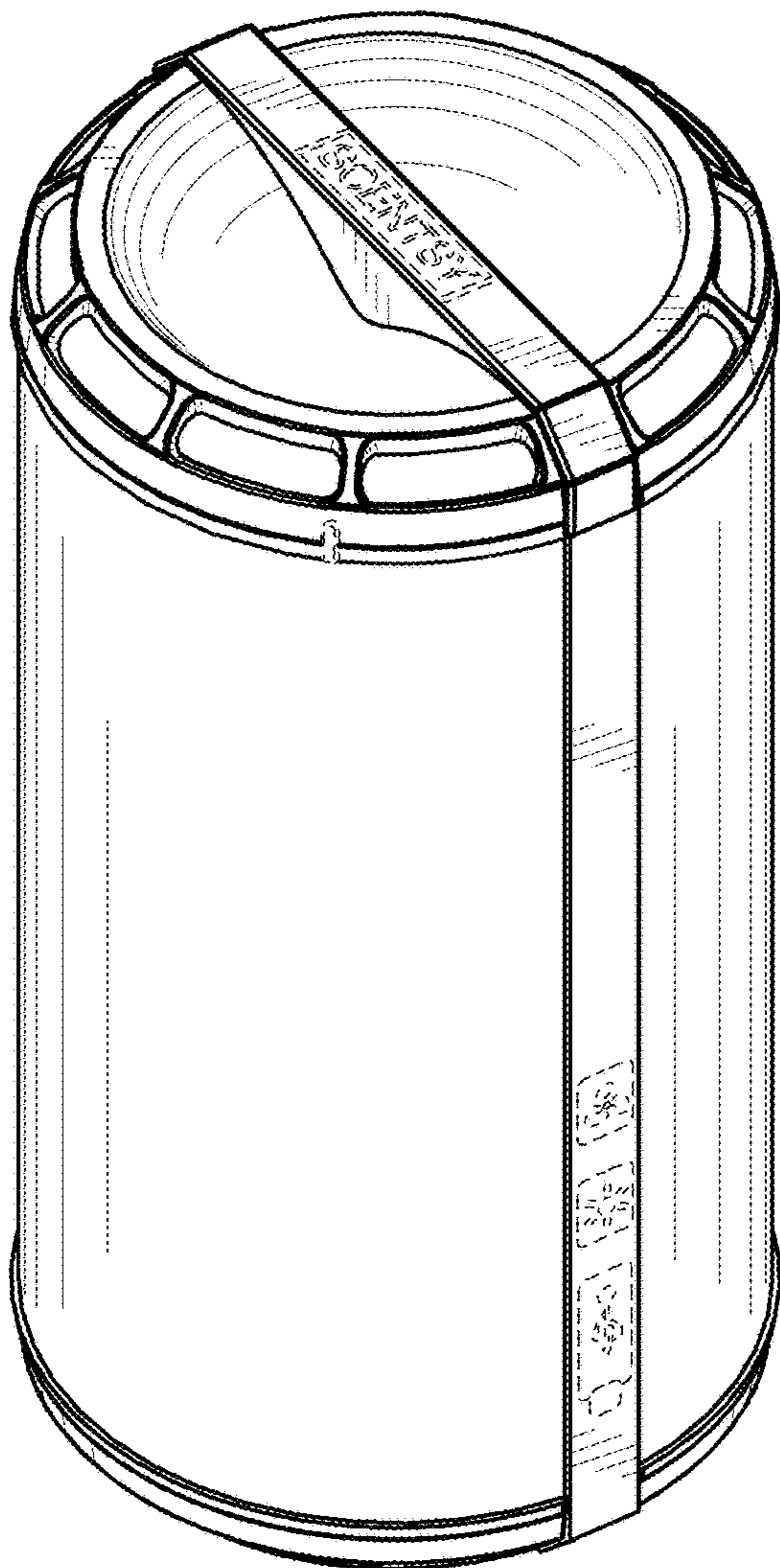


FIG. 1

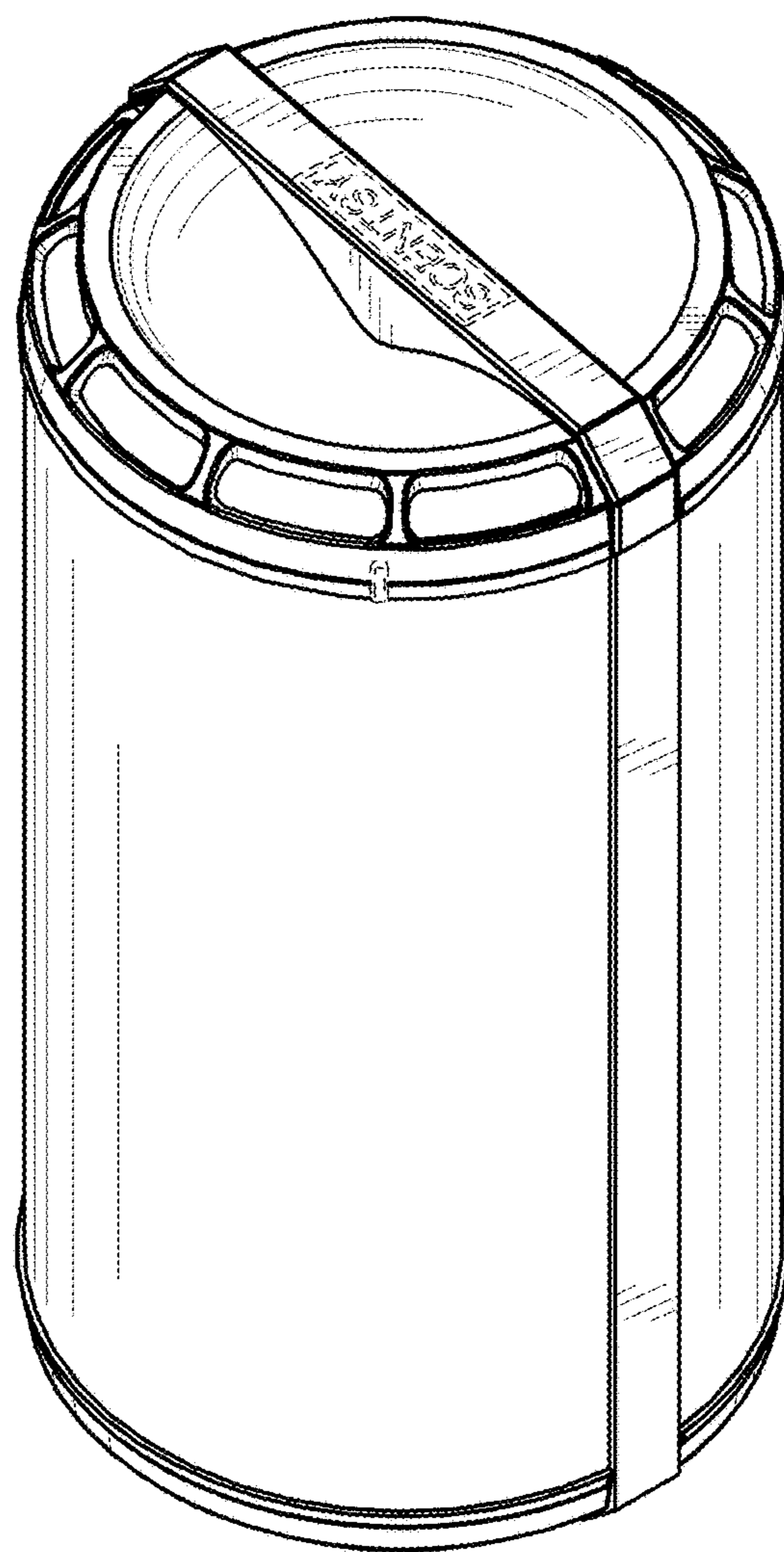


FIG. 2

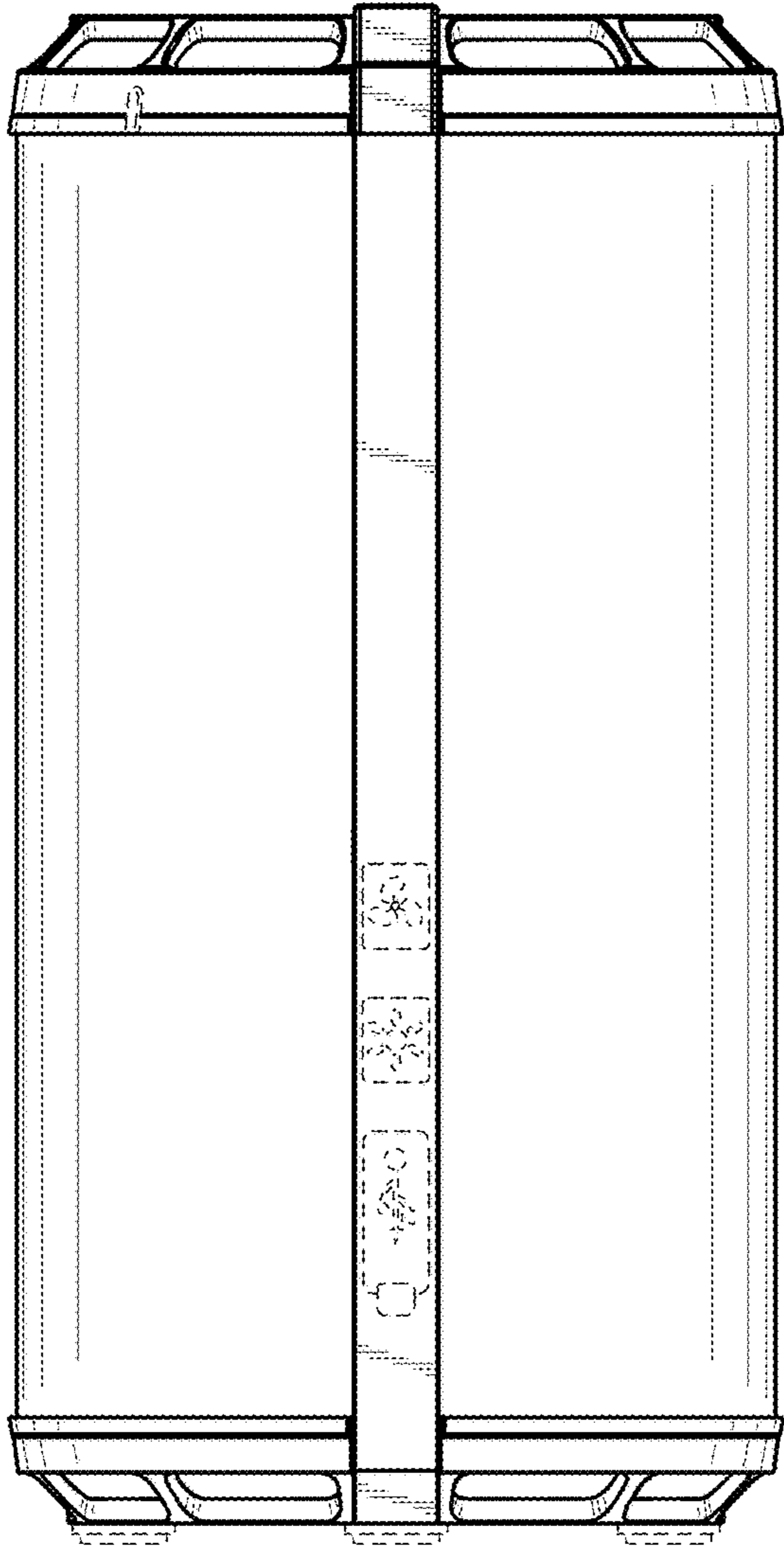


FIG. 3

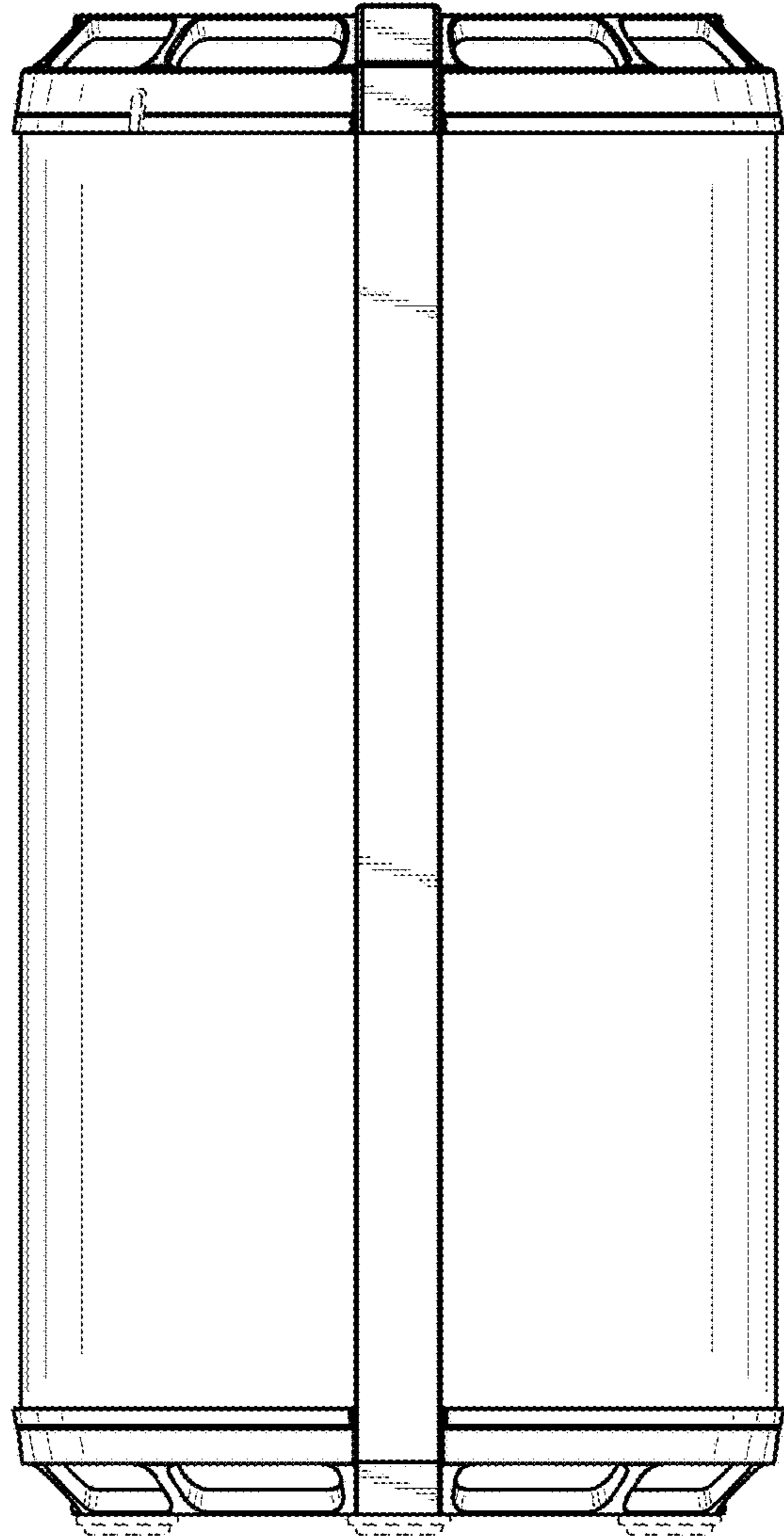


FIG. 4

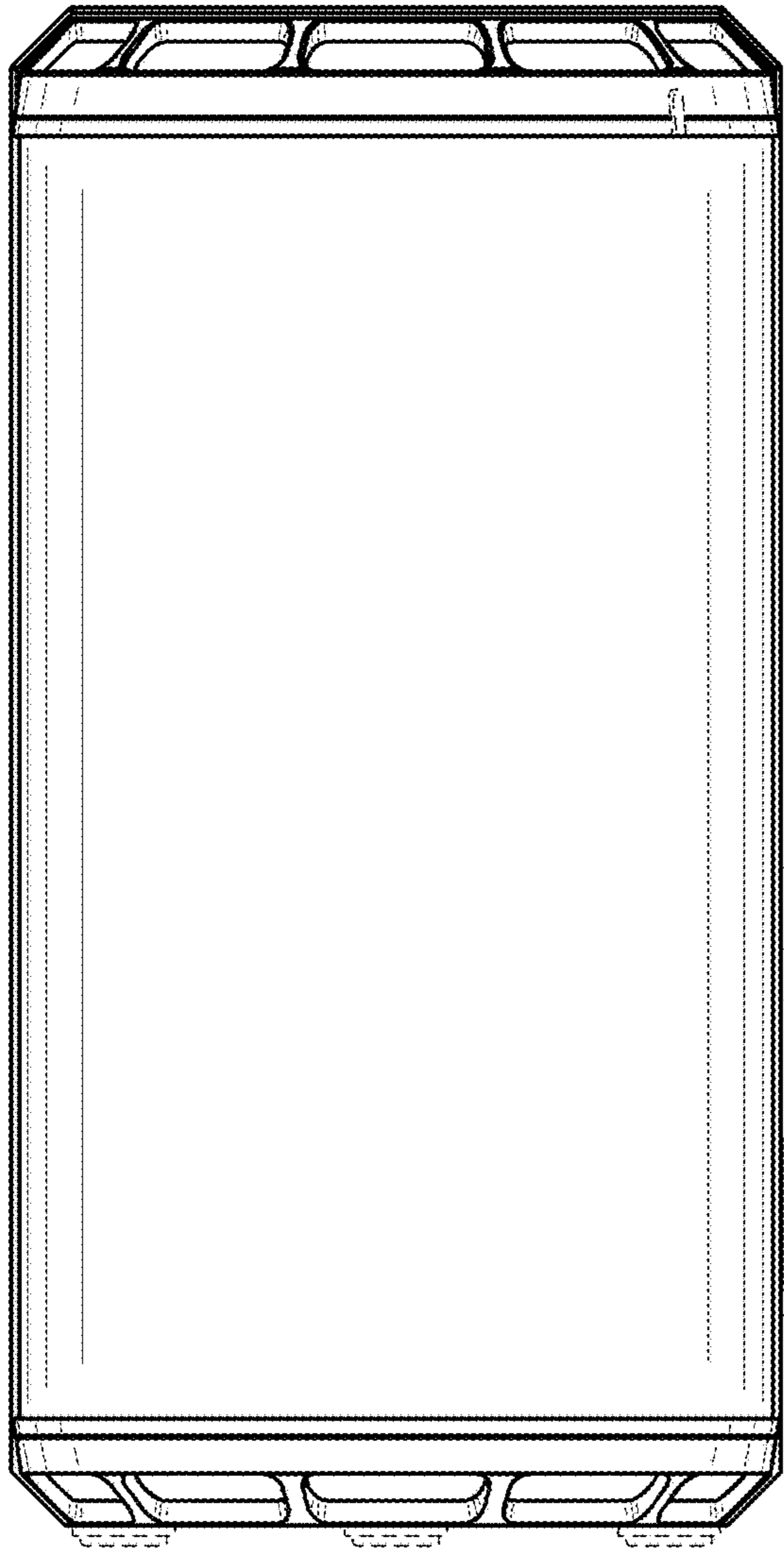


FIG. 5

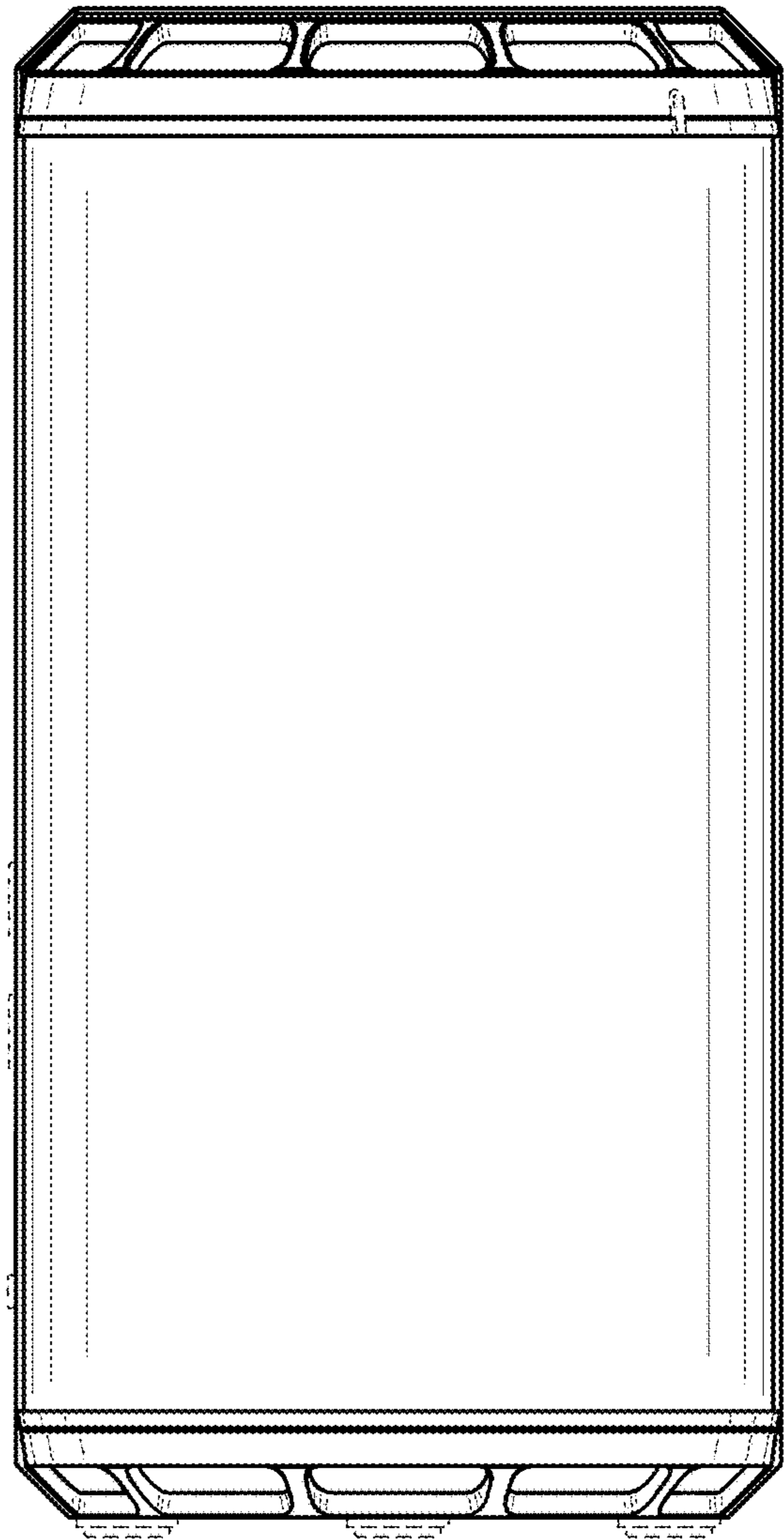


FIG. 6

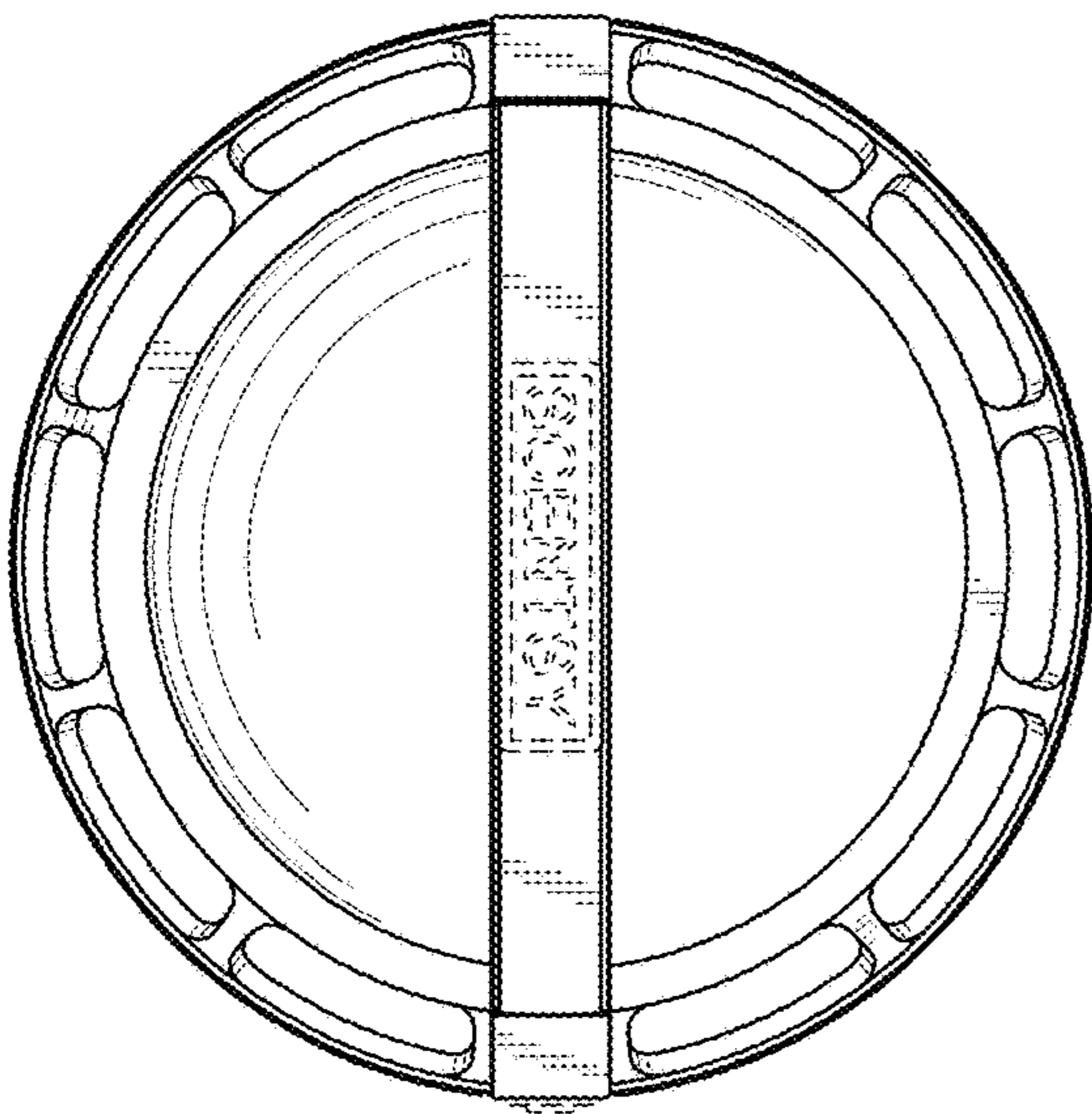


FIG. 7

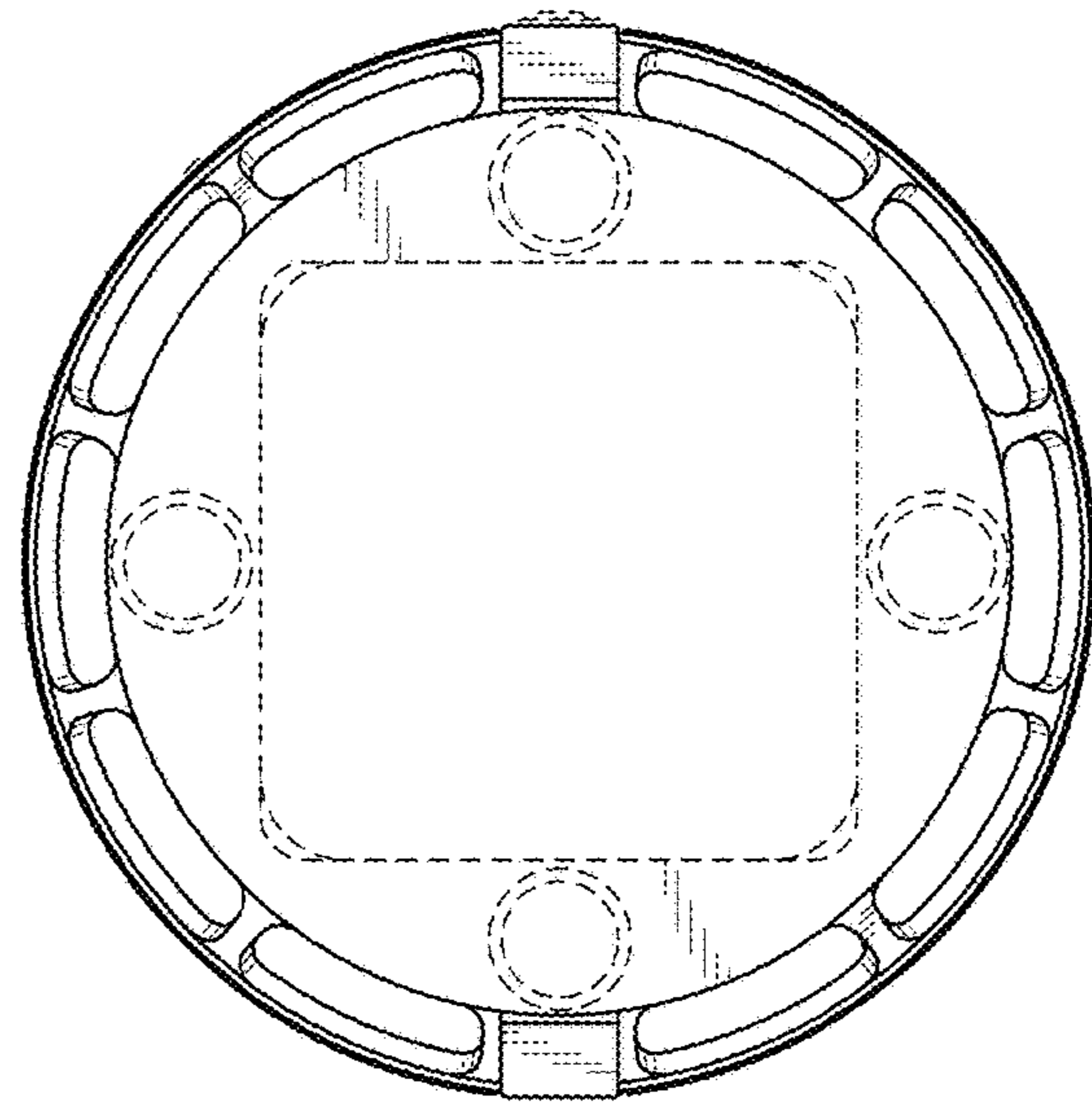


FIG. 8