



US00D838824S

(12) **United States Design Patent**
Sun

(10) **Patent No.:** **US D838,824 S**
(45) **Date of Patent:** **** Jan. 22, 2019**

(54) **AIR PURIFIER**

(71) Applicant: **Yue Sun**, Zhuhai (CN)

(72) Inventor: **Yue Sun**, Zhuhai (CN)

(73) Assignee: **ZHUHAI LARGE HORSE CO., LTD.**, Zhuhai (CN)

(**) Term: **15 Years**

(21) Appl. No.: **29/636,369**

(22) Filed: **Feb. 8, 2018**

(51) **LOC (11) Cl.** **23-04**

(52) **U.S. Cl.**
USPC **D23/364**

(58) **Field of Classification Search**
USPC D23/355-366, 352, 369, 332, 333, 335,
D23/336, 342, 351; 422/120, 122;
55/356, 473, 504; 96/97; D14/188, 170,
D14/172; 261/DIG. 17, DIG. 65,
261/DIG. 88, DIG. 31; D18/34.6
CPC .. A61L 9/16; A61L 9/22; B01D 47/00; B01D
47/027; B01D 2221/02; B01D 2259/4508;
B03C 3/155; B03C 3/368; F24F 3/16;
F24F 13/20; F24F 13/28; F24F 3/1405;
F24F 3/1603; F24F 13/222

See application file for complete search history.

(56) **References Cited**

U.S. PATENT DOCUMENTS

D171,429 S *	2/1954	Thompson	D23/359
D255,486 S *	6/1980	Bender	D23/355
D291,350 S *	8/1987	Sherman	D23/335
D312,302 S *	11/1990	Fan	D23/335
D313,069 S *	12/1990	McCormick	D23/335
D313,842 S *	1/1991	Fan	D23/335
D316,140 S *	4/1991	Lee	D23/335
D316,296 S *	4/1991	Lee	D23/335
D319,498 S *	8/1991	Huang	D23/335
D361,828 S *	8/1995	Chen	D23/332
D402,741 S *	12/1998	Chen	D23/335

D422,348 S *	4/2000	Liu	D23/332
D435,034 S *	12/2000	Tejima	D14/168
D518,160 S *	3/2006	Normark	D23/366
D542,265 S *	5/2007	Hussaini	D14/170
7,323,029 B2 *	1/2008	Engelland	B01D 46/0004 55/502

(Continued)

FOREIGN PATENT DOCUMENTS

JP 2009014323 A * 1/2009

OTHER PUBLICATIONS

Alibaba.com, 0-7g, 10g adjustable Ozone Air Purifier 10g Ozone Generator, Oct. 23, 2018, https://largehorse.en.alibaba.com/product/60795374473-800618220/0_7g_10g_adjustable_Ozone_Air_Purifier_10g_Ozone_Generator.html?spm=a2700.icbuShop.prewdfa4cf.40.4e6d3eb433brPn (Year: 2018).*

Primary Examiner — David G Muller
Assistant Examiner — Nathan M Johnston
(74) *Attorney, Agent, or Firm* — Law Offices of Steven W. Weinrieb

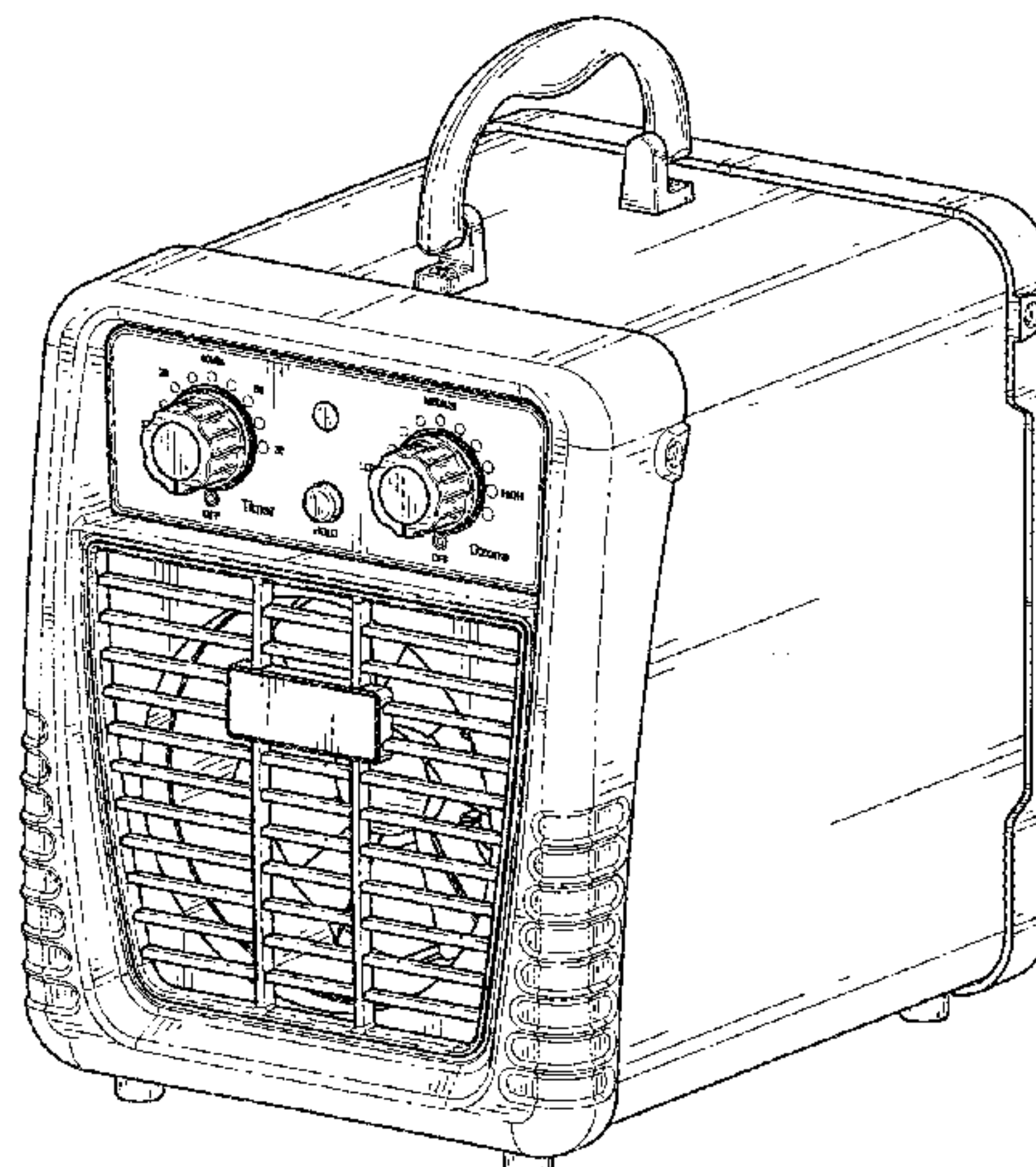
(57) **CLAIM**

The ornamental design for an air purifier, as shown and described.

DESCRIPTION

FIG. 1 is a front, right side, top perspective view of the air purifier showing my new design;
FIG. 2 is a rear, right side, bottom perspective view thereof;
FIG. 3 is a front elevational view thereof;
FIG. 4 is a rear elevational view thereof;
FIG. 5 is a left side elevational view thereof;
FIG. 6 is a right side elevational view thereof;
FIG. 7 is a top plan view thereof; and,
FIG. 8 is a bottom plan view thereof.
The broken lines show portions of the design that form no part of the claimed design.

1 Claim, 8 Drawing Sheets



(56)

References Cited

U.S. PATENT DOCUMENTS

D570,464 S *	6/2008	Normark	D23/364
D597,065 S *	7/2009	Hong	D14/188
D614,274 S *	4/2010	Lin	D23/317
D616,080 S *	5/2010	Ching	D23/332
D680,636 S *	4/2013	Ching	D23/356
D691,250 S *	10/2013	Chan	D23/332
D731,632 S *	6/2015	Kulp	D23/359
D804,001 S *	11/2017	Cartwright	D23/355
D827,115 S *	8/2018	Petersen	D23/333

* cited by examiner

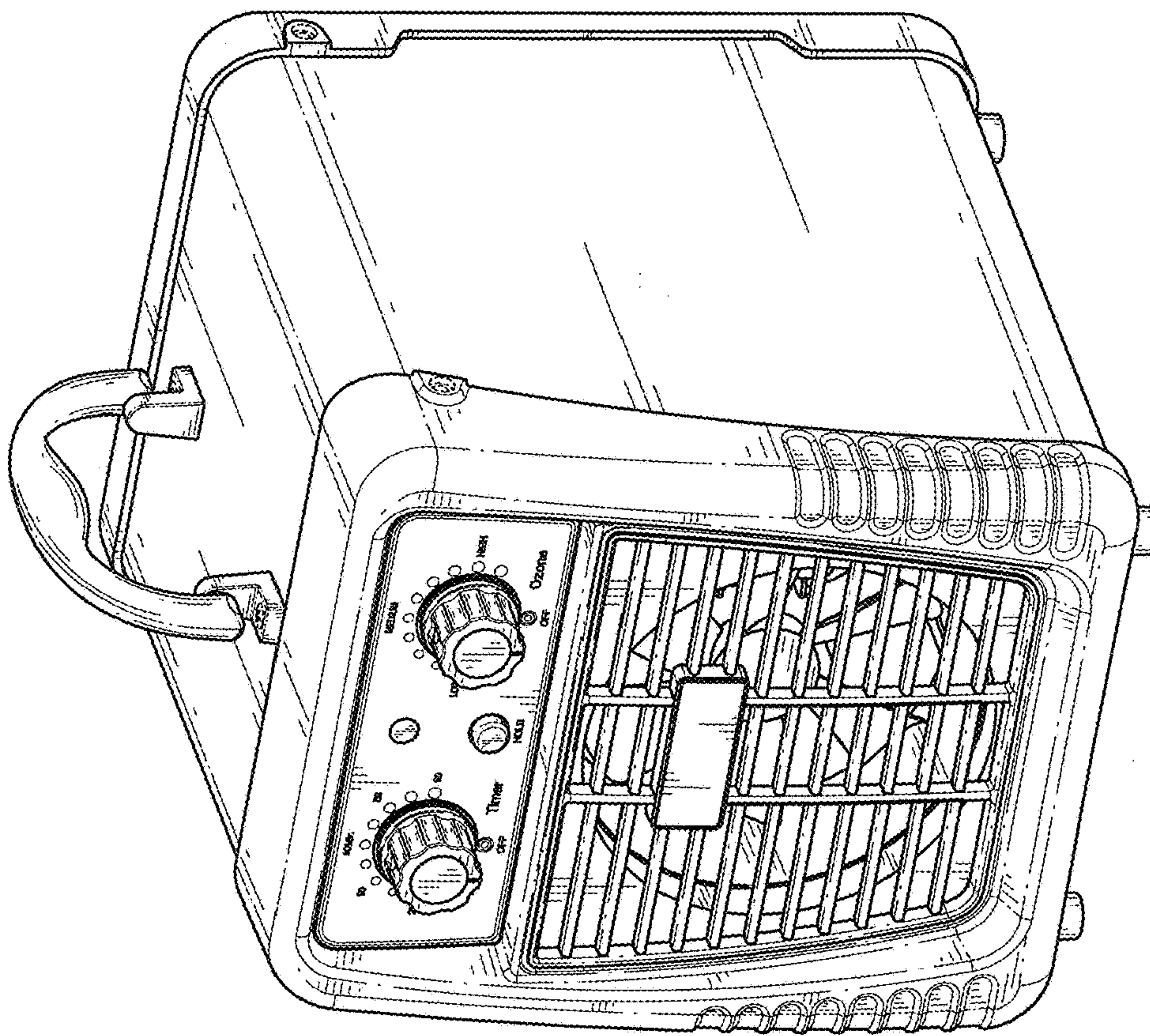


FIG. 1

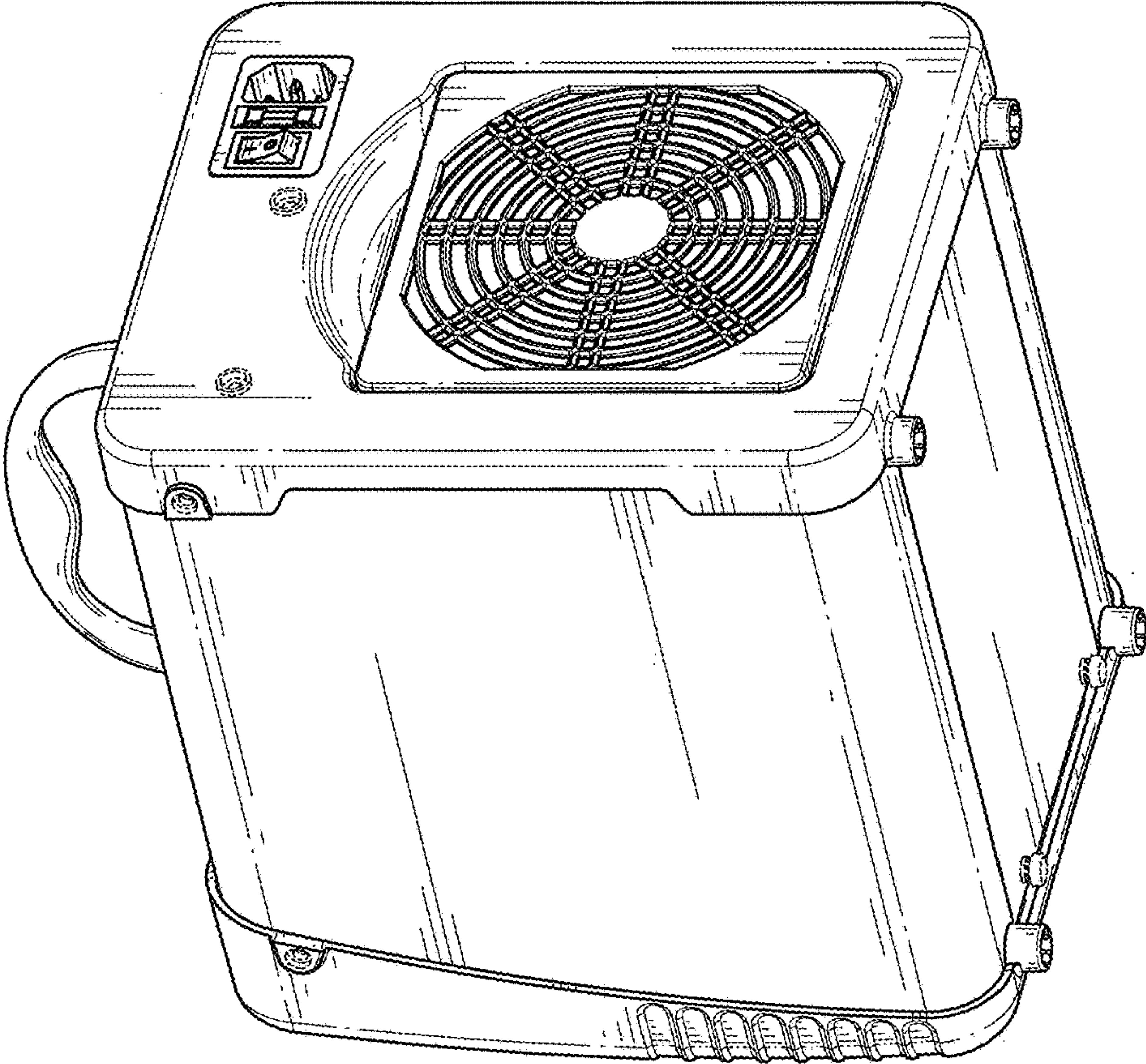


FIG. 2

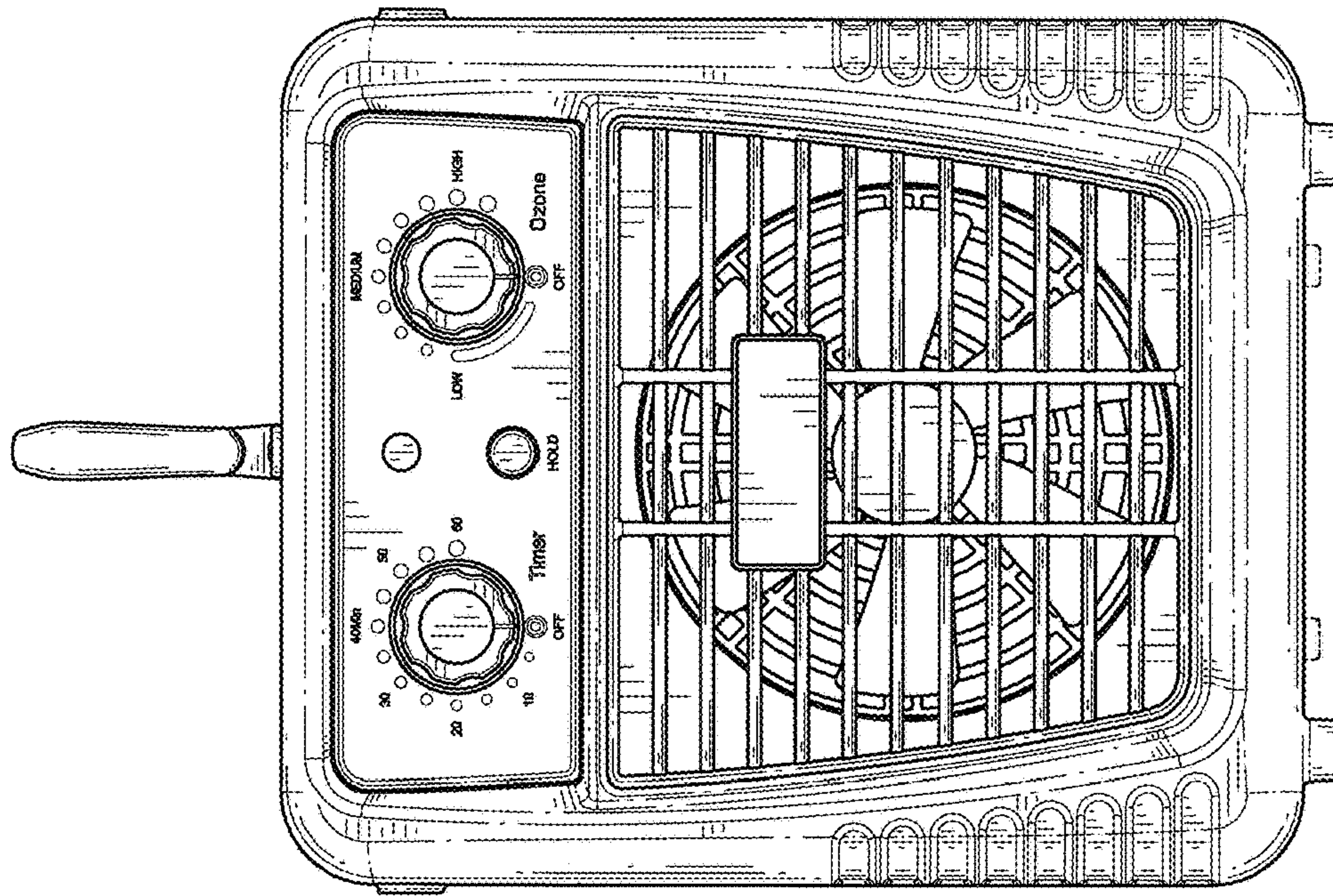


FIG. 3

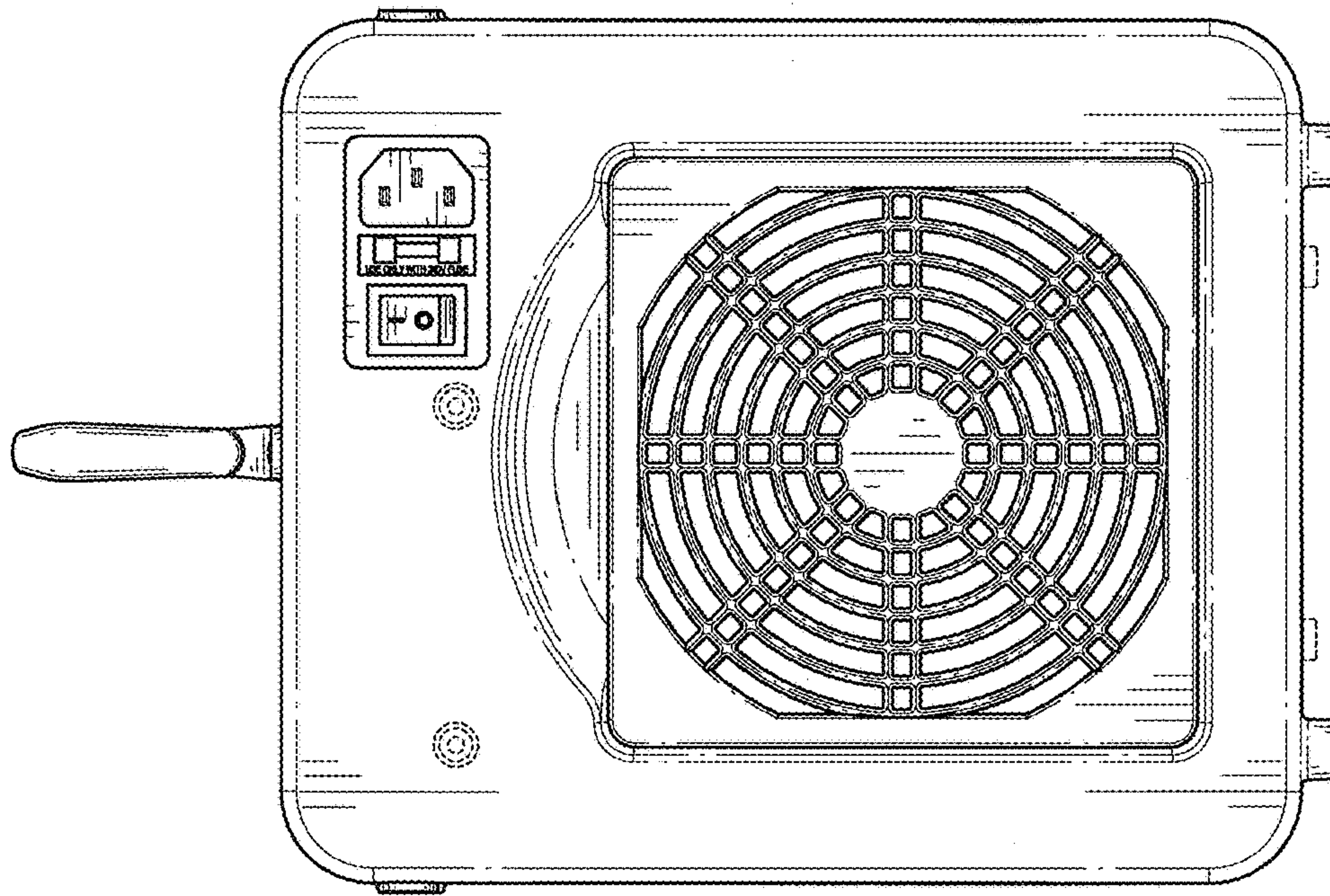


FIG. 4

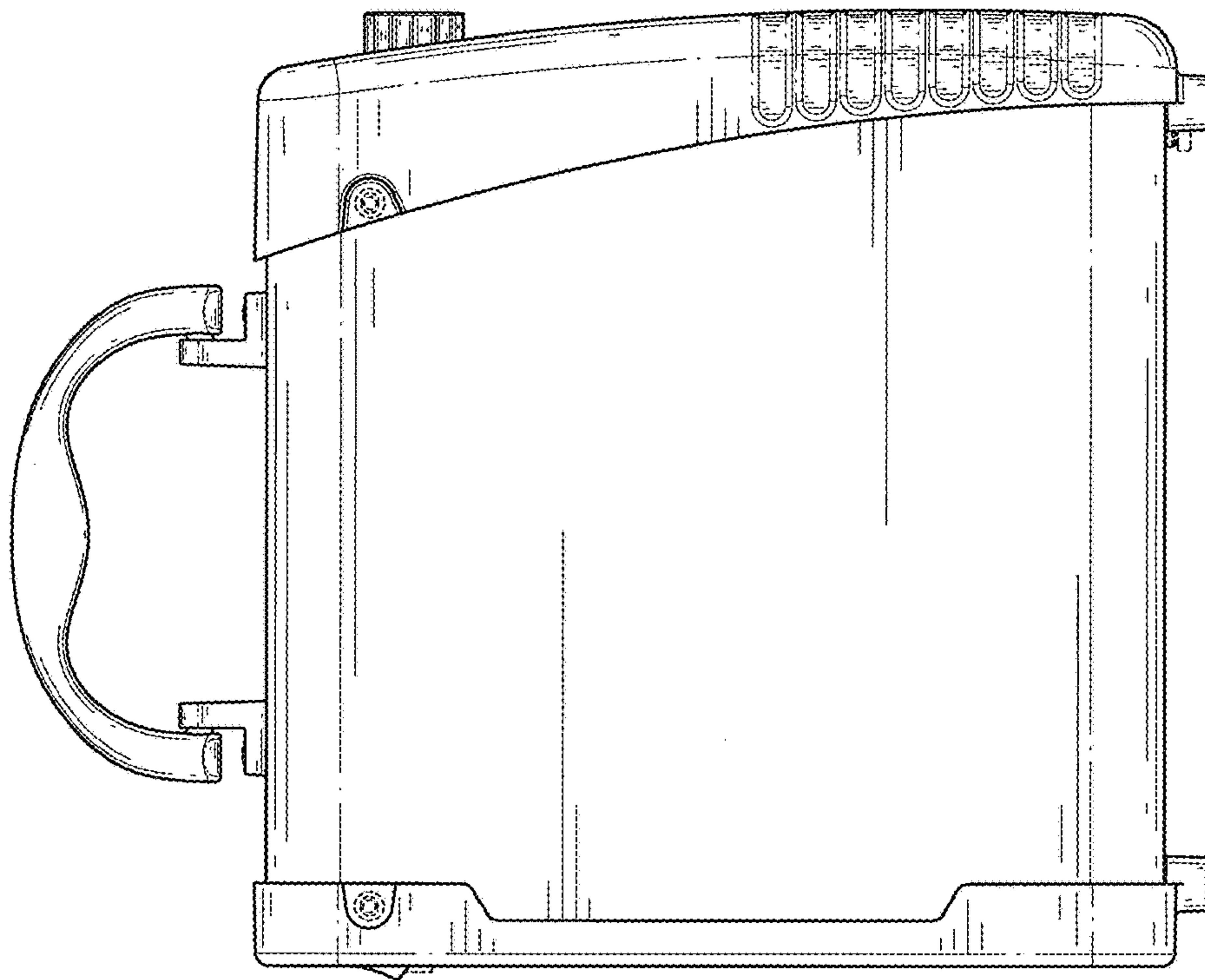


FIG. 5

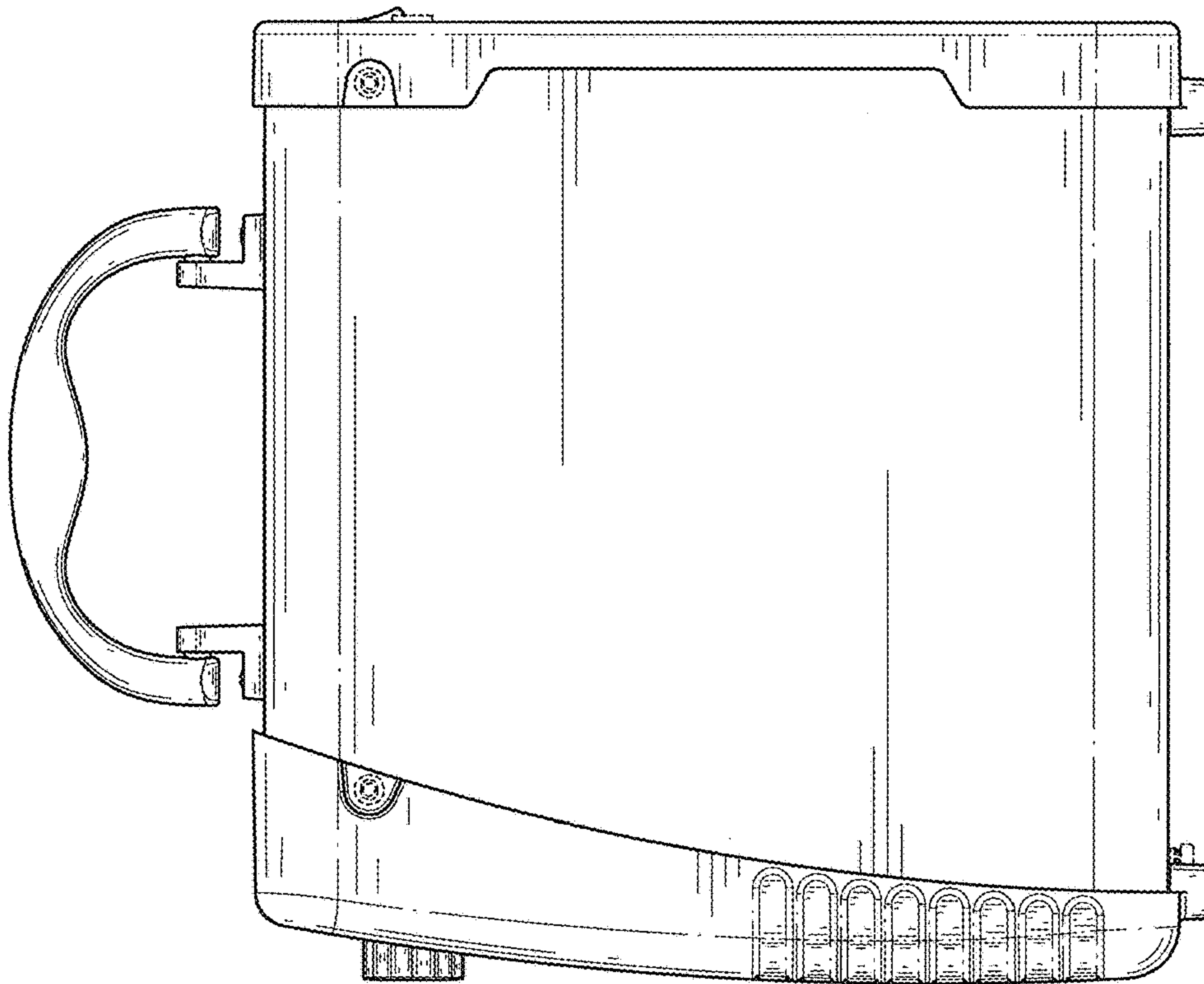


FIG. 6

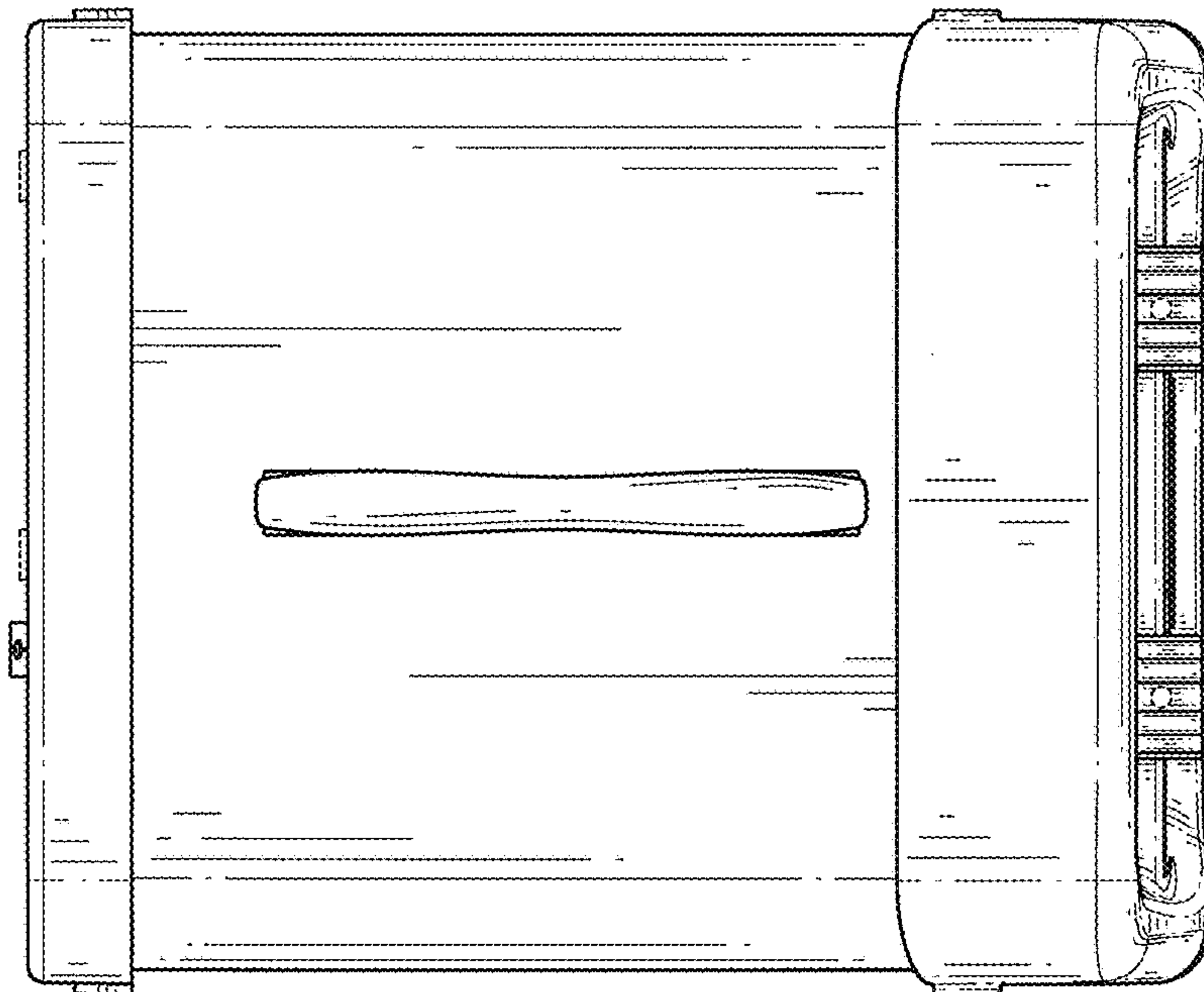


FIG. 7

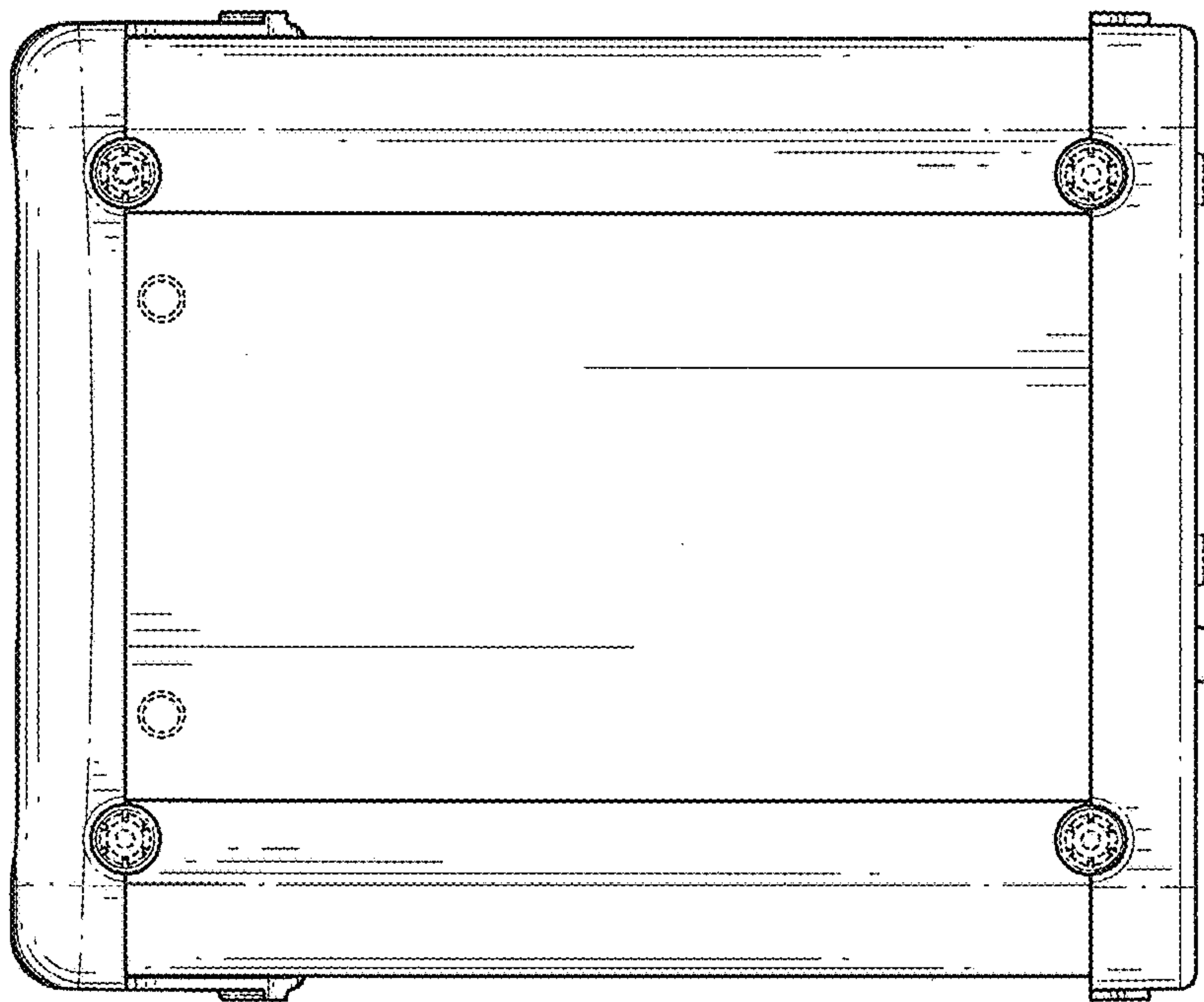


FIG. 8