



US00D838823S

(12) **United States Design Patent** (10) **Patent No.:** **US D838,823 S**
Yu (45) **Date of Patent:** **** Jan. 22, 2019**

(54) **AIR PURIFIER**

(56) **References Cited**

(71) Applicant: **Shanghai RHEIN Environmental Technology Co., Ltd., Shanghai (CN)**

U.S. PATENT DOCUMENTS

(72) Inventor: **Xianghui Yu, Shanghai (CN)**

D698,015 S * 1/2014 Vo D23/342
8,991,647 B2 * 3/2015 Meyers A61L 2/22
221/96
D793,453 S * 8/2017 Krull D15/5
D794,082 S * 8/2017 Krull D15/5
D794,766 S * 8/2017 Patton D23/366
D803,374 S * 11/2017 Patton D23/366

(73) Assignee: **Shanghai RHEIN Environmental Technology Co., Ltd., Shanghai (CN)**

(**) Term: **15 Years**

* cited by examiner

(21) Appl. No.: **29/613,392**

Primary Examiner — David G Muller

(22) Filed: **Aug. 9, 2017**

(57) **CLAIM**

The ornamental design for an air purifier, as shown and described.

(30) **Foreign Application Priority Data**

DESCRIPTION

Feb. 23, 2017 (CN) 2017 3 0047978

(51) **LOC (11) Cl.** **23-04**

FIG. 1 is a front view of an air purifier, showing our new design.

(52) **U.S. Cl.**

FIG. 2 is a rear view thereof.

USPC **D23/364**

FIG. 3 is a right side view thereof.

(58) **Field of Classification Search**

USPC D23/355–366, 352, 369, 332, 333, 335,
D23/336, 342, 351; 422/120, 122;
55/356, 473, 504; 96/97; 261/DIG. 17,
261/DIG. 65, DIG. 88, DIG. 31

FIG. 4 is a left side view thereof.

CPC .. A61L 9/16; A61L 9/22; B01D 47/00; B01D
2259/4508; F24F 3/16; F24F 13/20; F24F
2001/0096; F24F 3/1405; F24F 3/1603;
F24F 13/222

FIG. 5 is a bottom view thereof.

FIG. 6 is a top view thereof.

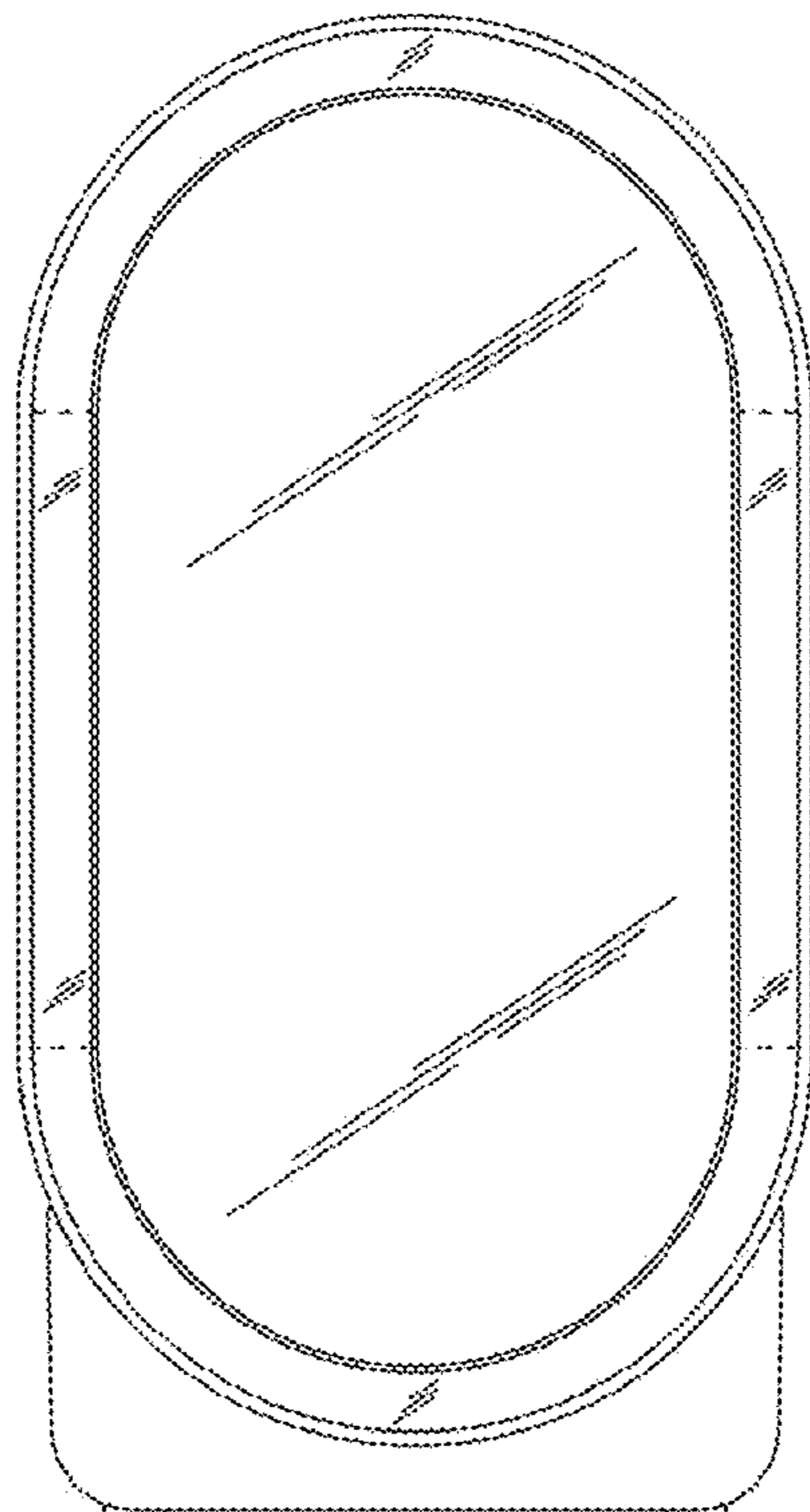
FIG. 7 is a front perspective view thereof; and,

FIG. 8 is a rear perspective view thereof.

The broken line showing of parts of the drawings is included for the purpose of illustrating use and environment and forms no part of the claimed design.

See application file for complete search history.

1 Claim, 8 Drawing Sheets



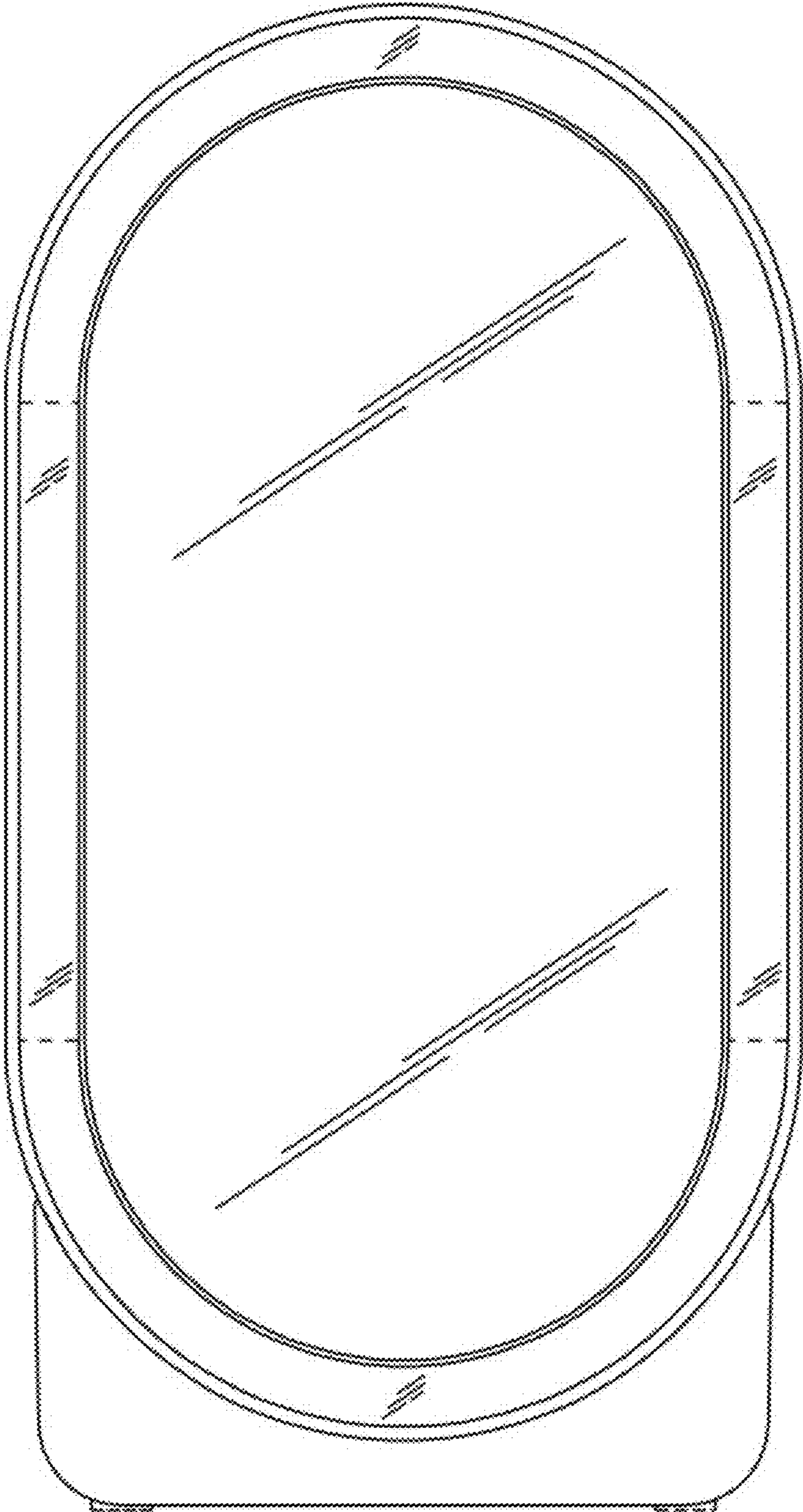


FIG. 1

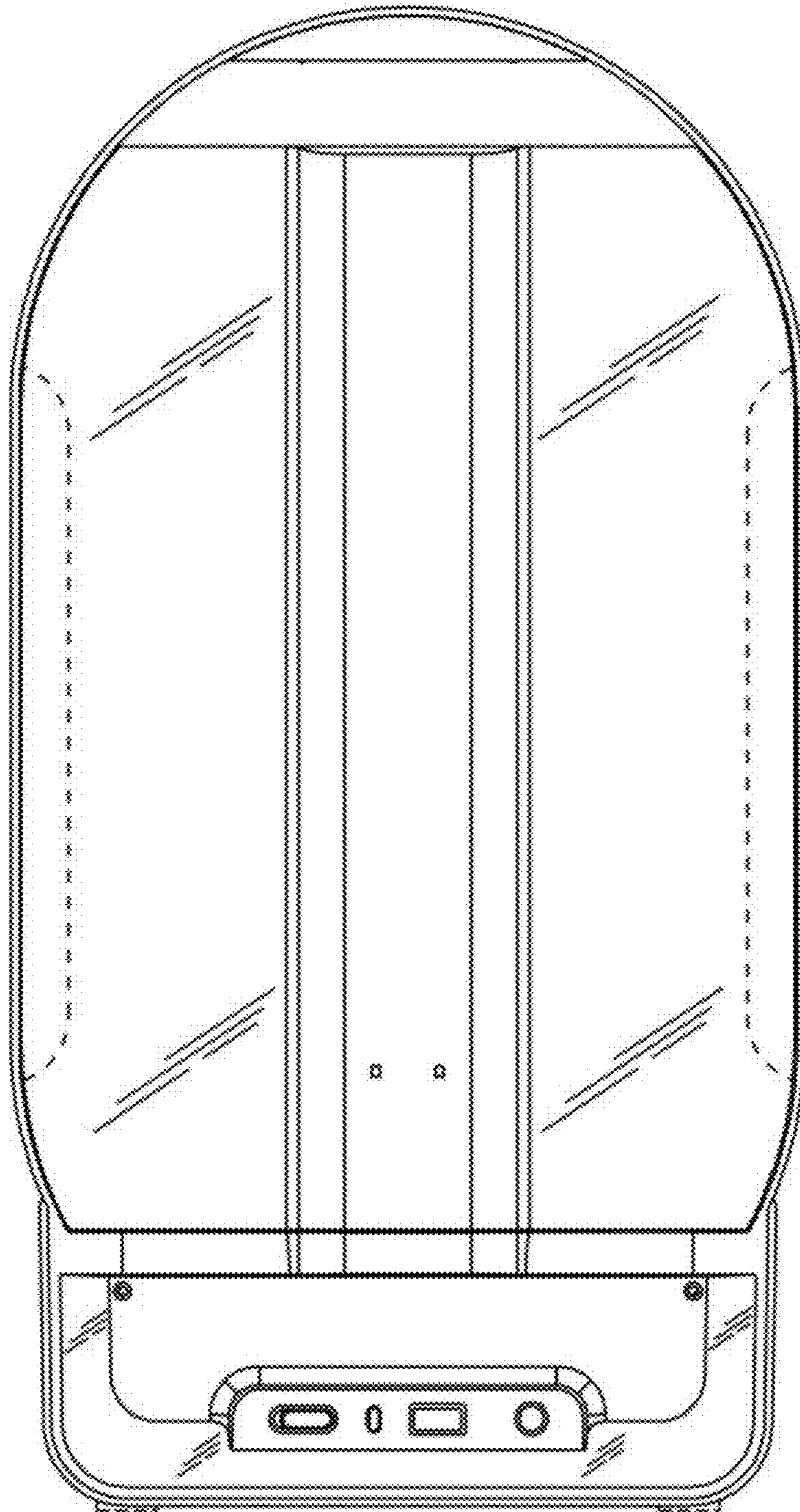


FIG. 2

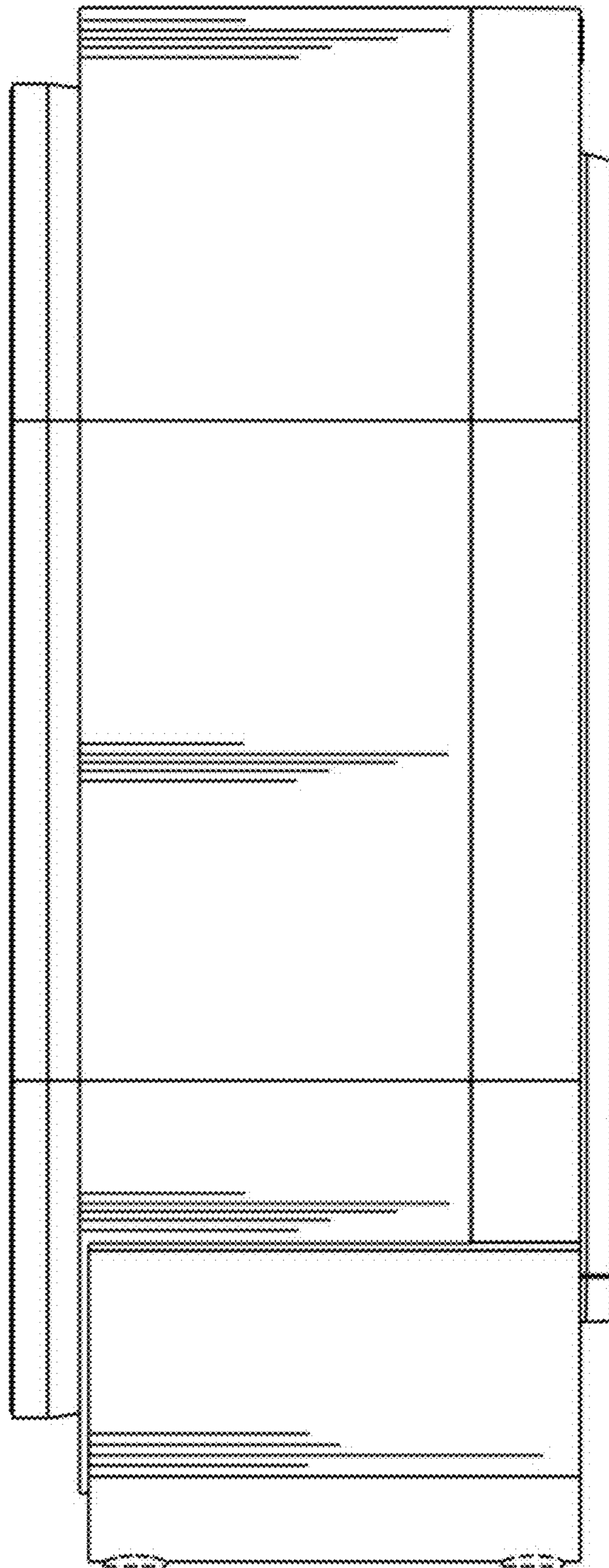


FIG. 3

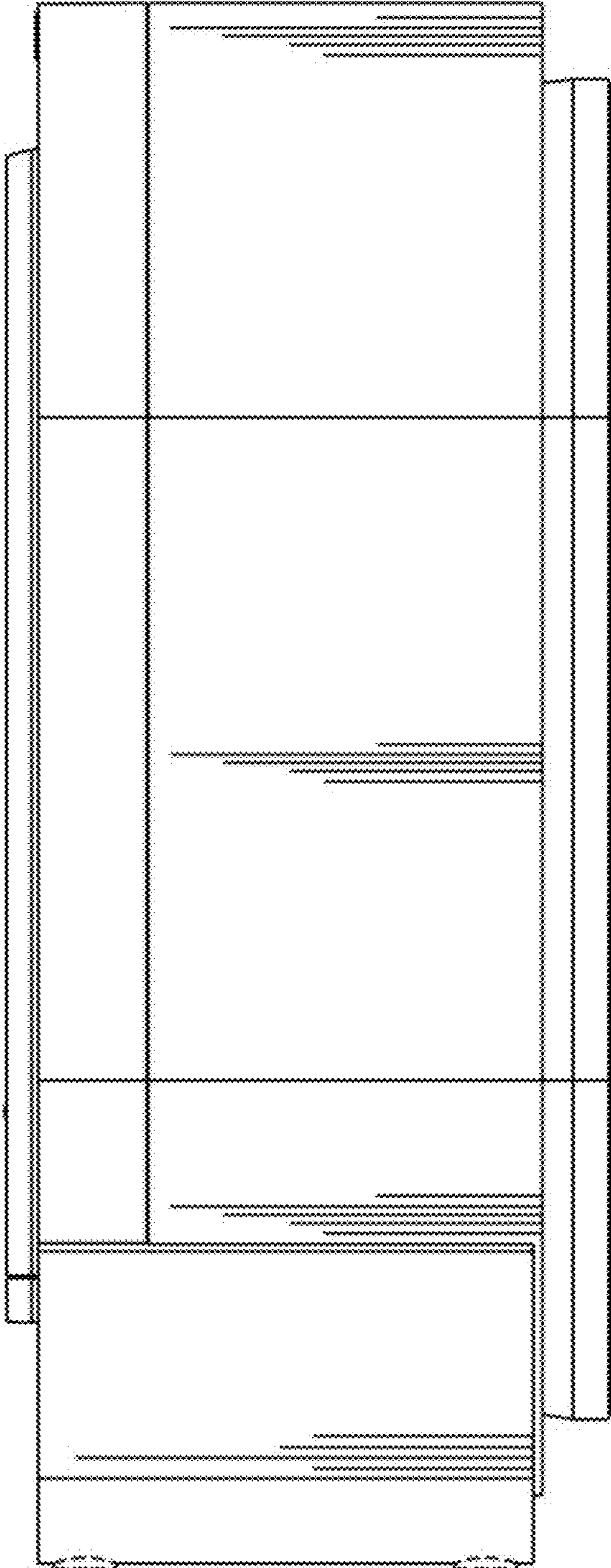


FIG. 4

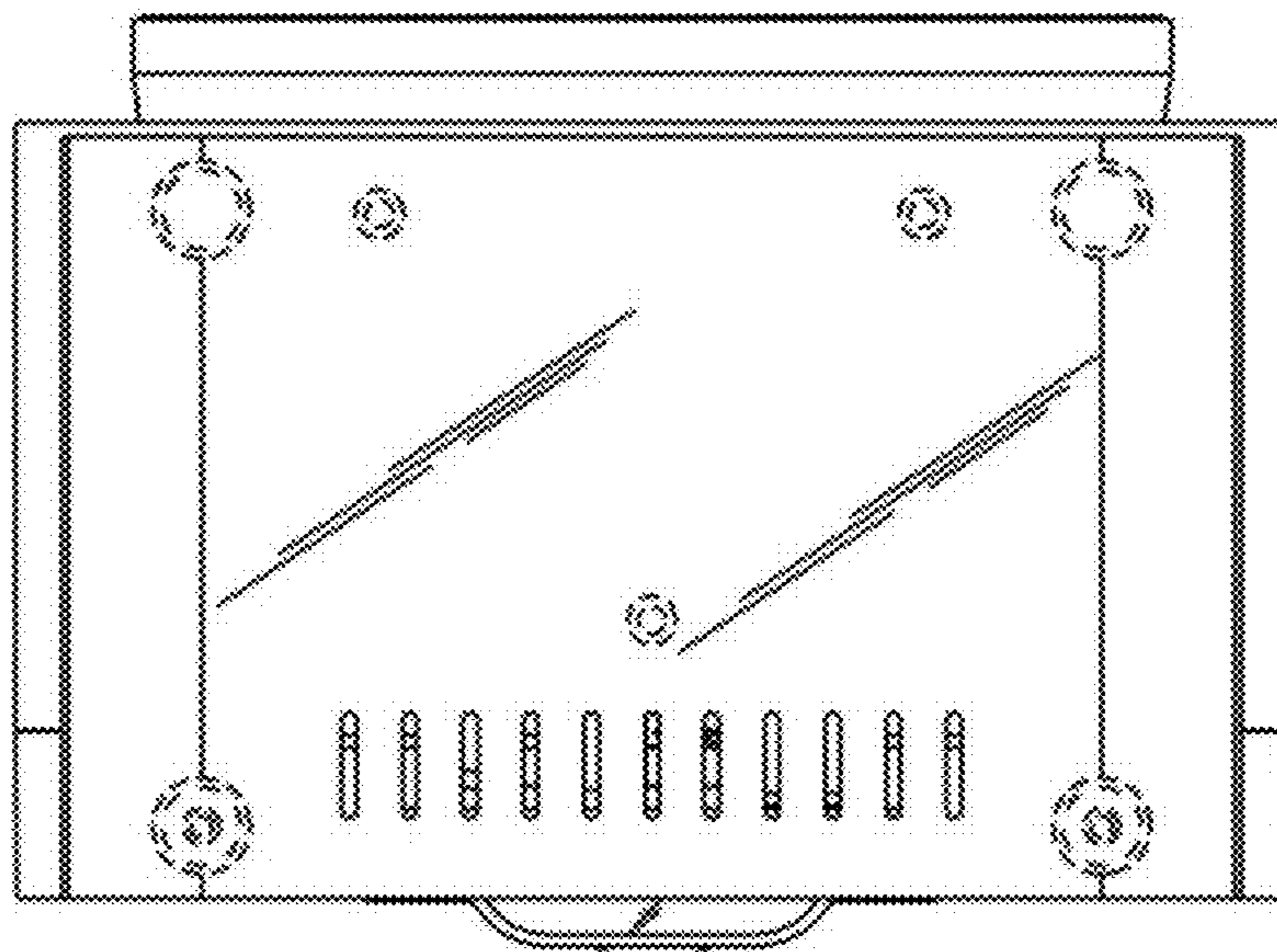


FIG. 5

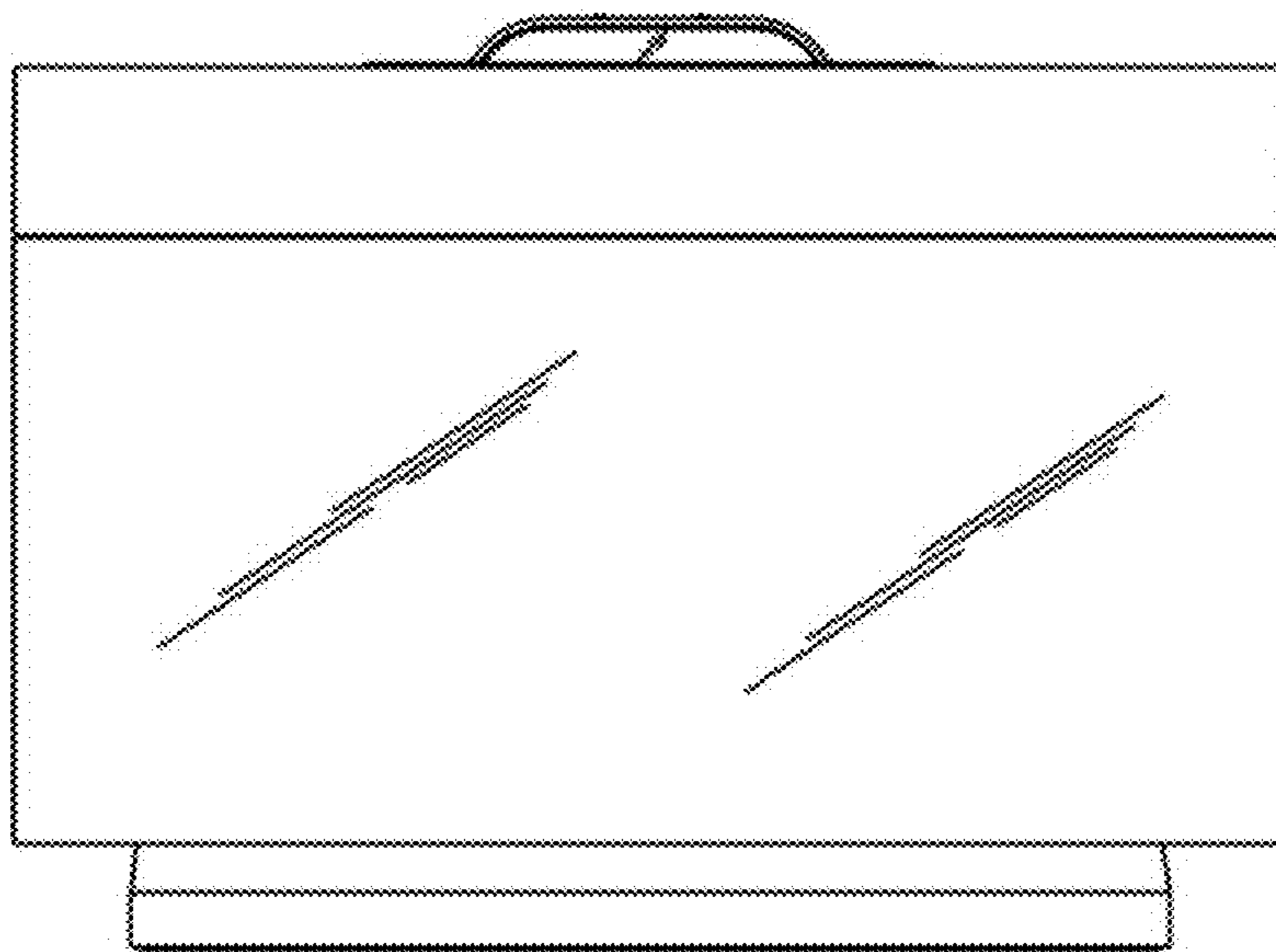


FIG. 6

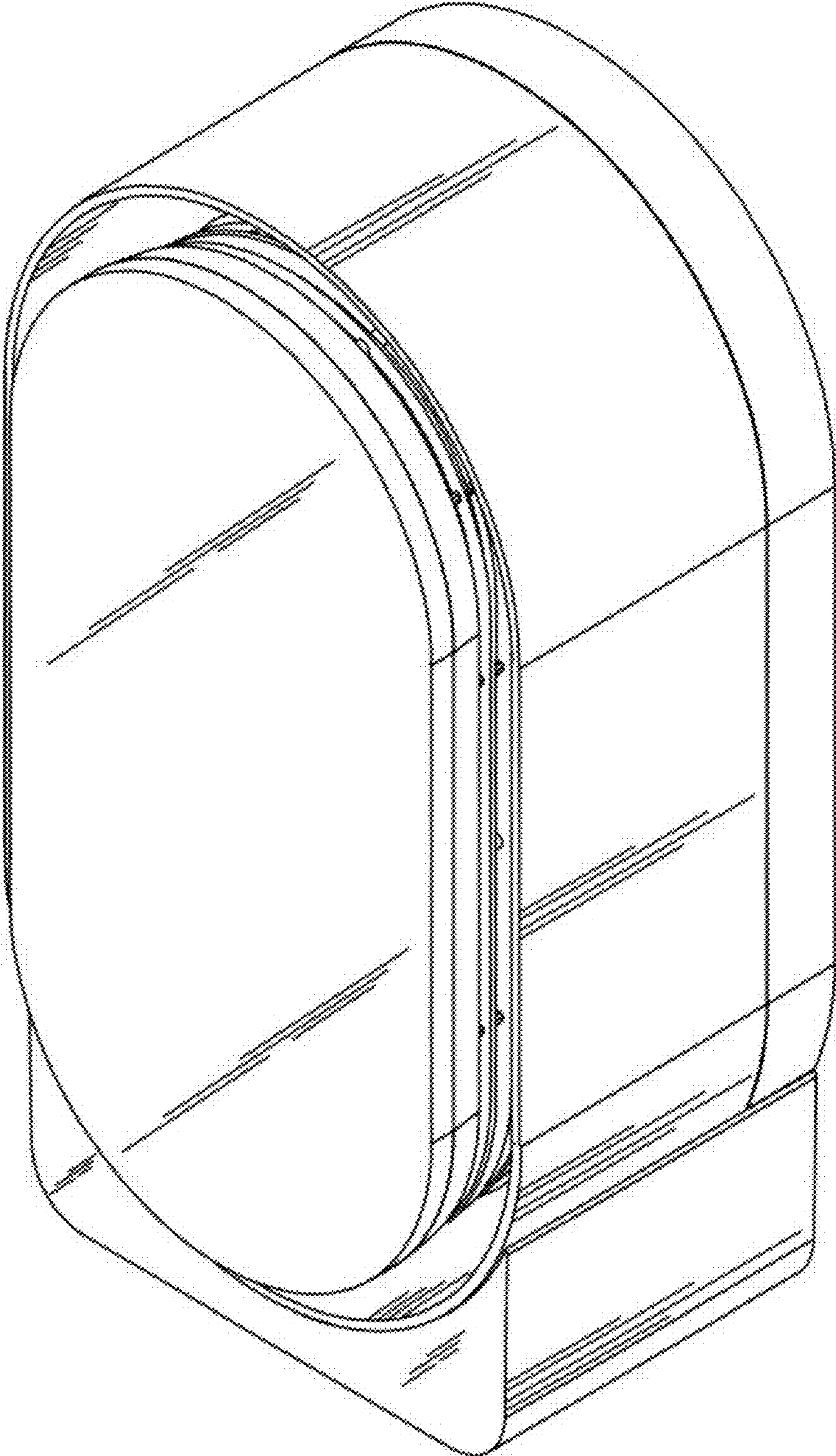


FIG. 7

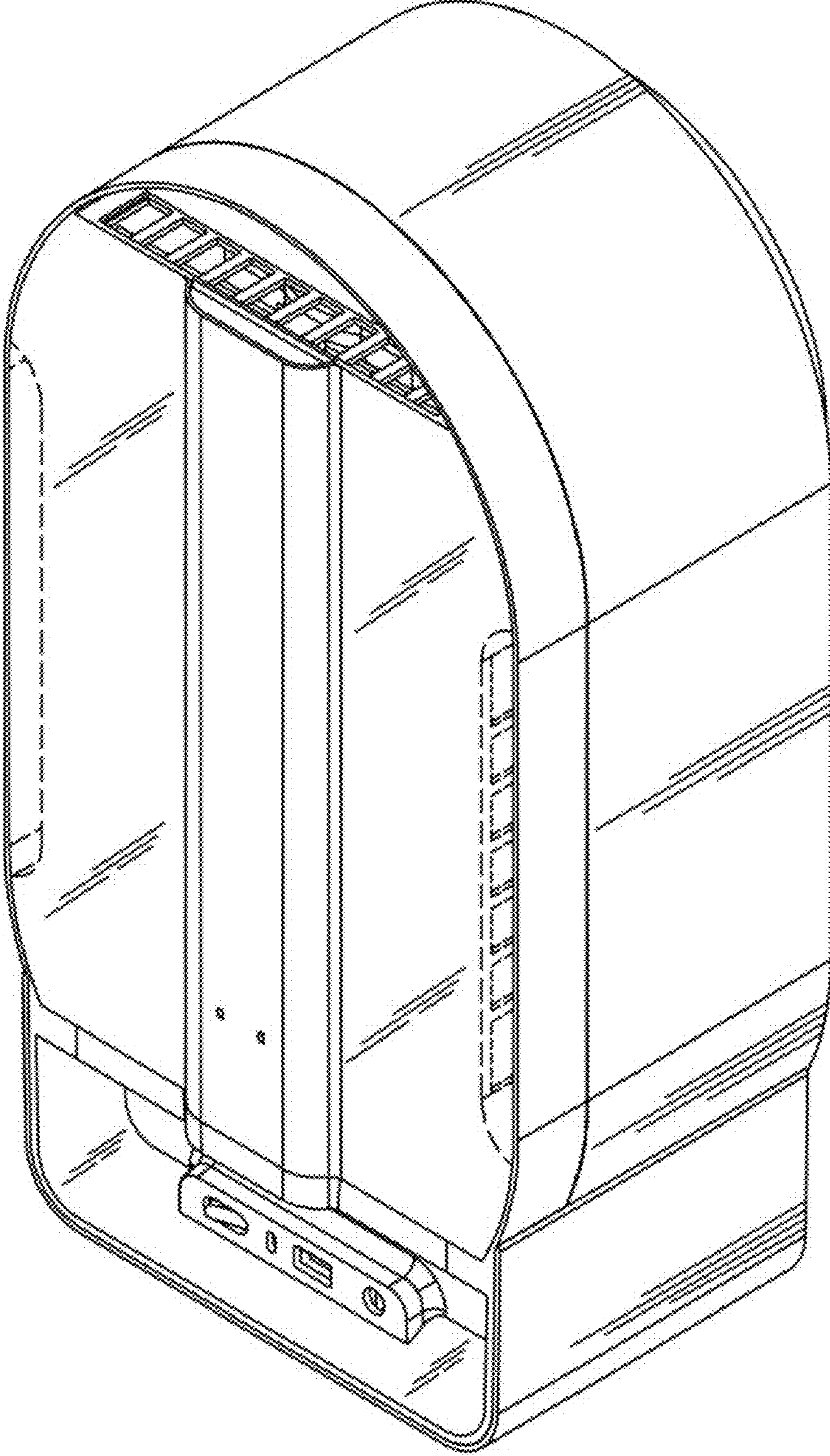


FIG. 8