



US00D838821S

(12) **United States Design Patent** (10) **Patent No.:** **US D838,821 S**  
**Wong** (45) **Date of Patent:** **\*\* Jan. 22, 2019**

(54) **TOILET SEAT**

(71) Applicant: **Richard Wong**, Bethesda, MD (US)

(72) Inventor: **Richard Wong**, Bethesda, MD (US)

(\*\*) Term: **15 Years**

(21) Appl. No.: **29/616,304**

(22) Filed: **Sep. 5, 2017**

(51) **LOC (11) Cl.** ..... **23-02**

(52) **U.S. Cl.**  
USPC ..... **D23/311**

(58) **Field of Classification Search**  
USPC ..... D23/303, 311-312  
CPC ..... A47K 13/00; A47K 13/06; A47K 13/24;  
A47K 13/28

See application file for complete search history.

(56) **References Cited**

**U.S. PATENT DOCUMENTS**

|              |     |        |                 |       |                     |
|--------------|-----|--------|-----------------|-------|---------------------|
| 2,493,362    | A * | 1/1950 | Rocker          | ..... | A47K 13/02<br>4/234 |
| 6,393,623    | B1  | 5/2002 | Strickland, Jr. |       |                     |
| D491,650     | S   | 6/2004 | Garza et al.    |       |                     |
| D593,657     | S * | 6/2009 | De Lay          | ..... | D23/311             |
| D733,271     | S * | 6/2015 | Krintzman       | ..... | D23/311             |
| D750,765     | S * | 3/2016 | Giametta        | ..... | D23/311             |
| D788,892     | S   | 6/2017 | Easley          |       |                     |
| D788,893     | S   | 6/2017 | Leo             |       |                     |
| D790,675     | S   | 6/2017 | Baker           |       |                     |
| 2005/0022294 | A1  | 2/2005 | Garza et al.    |       |                     |

**OTHER PUBLICATIONS**

Big John Products Website, available at <http://www.bigjohnproducts.com/> (accessed Sep. 6, 2017).  
Big John Products, "Seats for All Occasions," available at <http://www.bigjohnproducts.com/seats.htm> (accessed Sep. 6, 2017).

Big John Products, "Big John Toilet Seats Original & Standard," available at <http://www.bigjohnproducts.com/pdf/seatspecs.pdf> (accessed Sep. 6, 2017).

Big John Products, "Dimensions Diagram," available at <http://www.bigjohnproducts.com/pdf/dimensionsdiag.pdf> (accessed Sep. 6, 2017).

Big John Products, "Installation Instructions," available at <http://www.bigjohnproducts.com/pdf/installseat.pdf> (accesses Sep. 6, 2017).

Big John Products, "Big John Brochure," available at <http://www.bigjohnproducts.com/pdf/seats.pdf> (accessed Sep. 6, 2017).

U.S. Appl. No. 15/696,013, "Encapsulated Toilet Seat," filed Sep. 5, 2017, inventor Richard Wong.

U.S. Appl. No. 29/618,758, "Toilet Seat," filed Sep. 23, 2017, inventor Richard Wong.

\* cited by examiner

*Primary Examiner* — Robert A Delehanty

(74) *Attorney, Agent, or Firm* — Bryant Lee

(57) **CLAIM**

The ornamental design for a toilet seat, as shown and described.

**DESCRIPTION**

FIG. 1 is a top perspective view of a toilet seat showing my new design;

FIG. 2 is a bottom perspective view thereof;

FIG. 3 is a top plan view thereof;

FIG. 4 is a bottom plan view thereof;

FIG. 5 is a left side elevation view thereof;

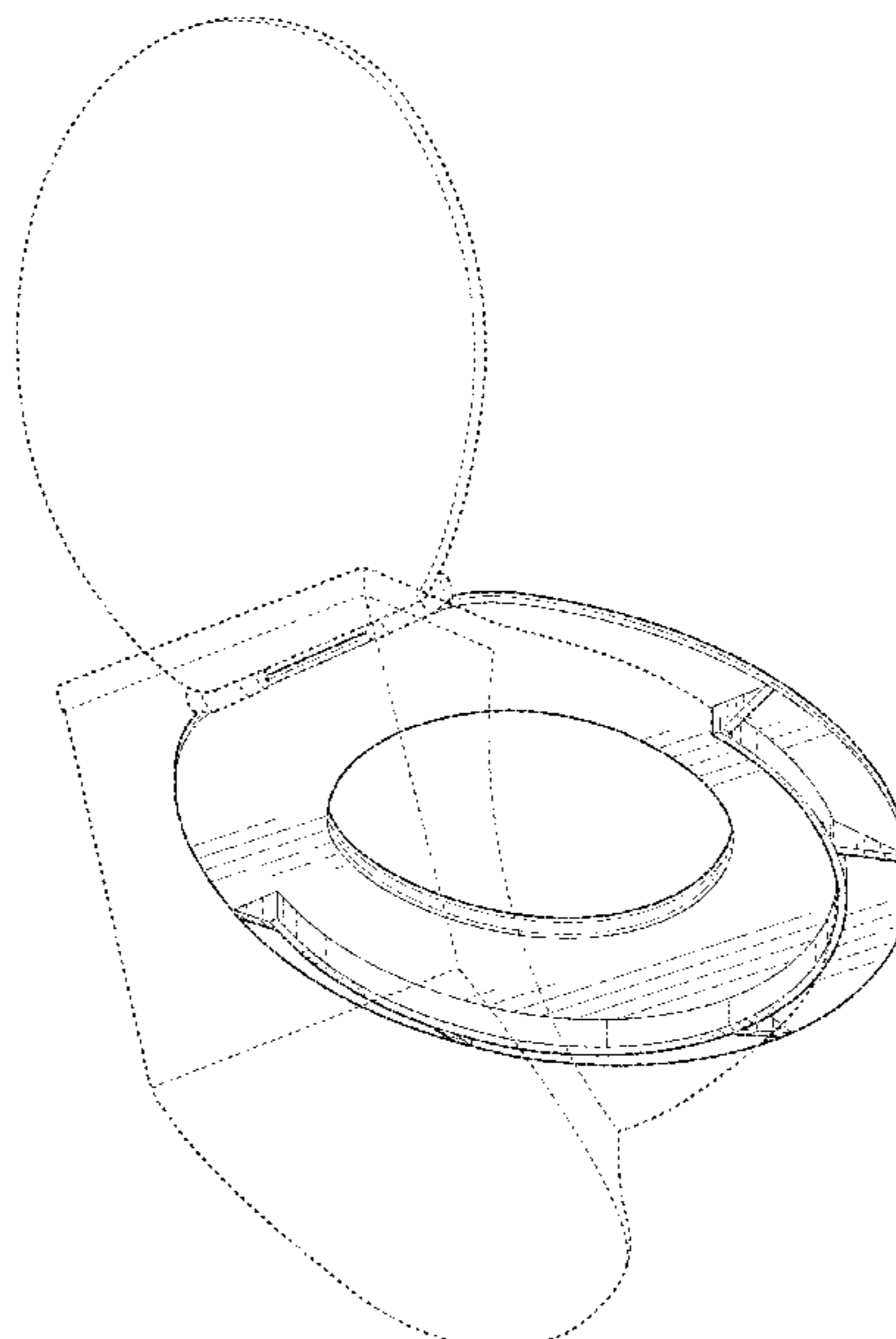
FIG. 6 is a right side elevation view thereof;

FIG. 7 is a front elevation view thereof; and,

FIG. 8 is a rear elevation view thereof.

The broken lines shown in the drawings are directed to environment and are for illustrative purposes only; the broken lines form no part of the claimed design.

**1 Claim, 6 Drawing Sheets**



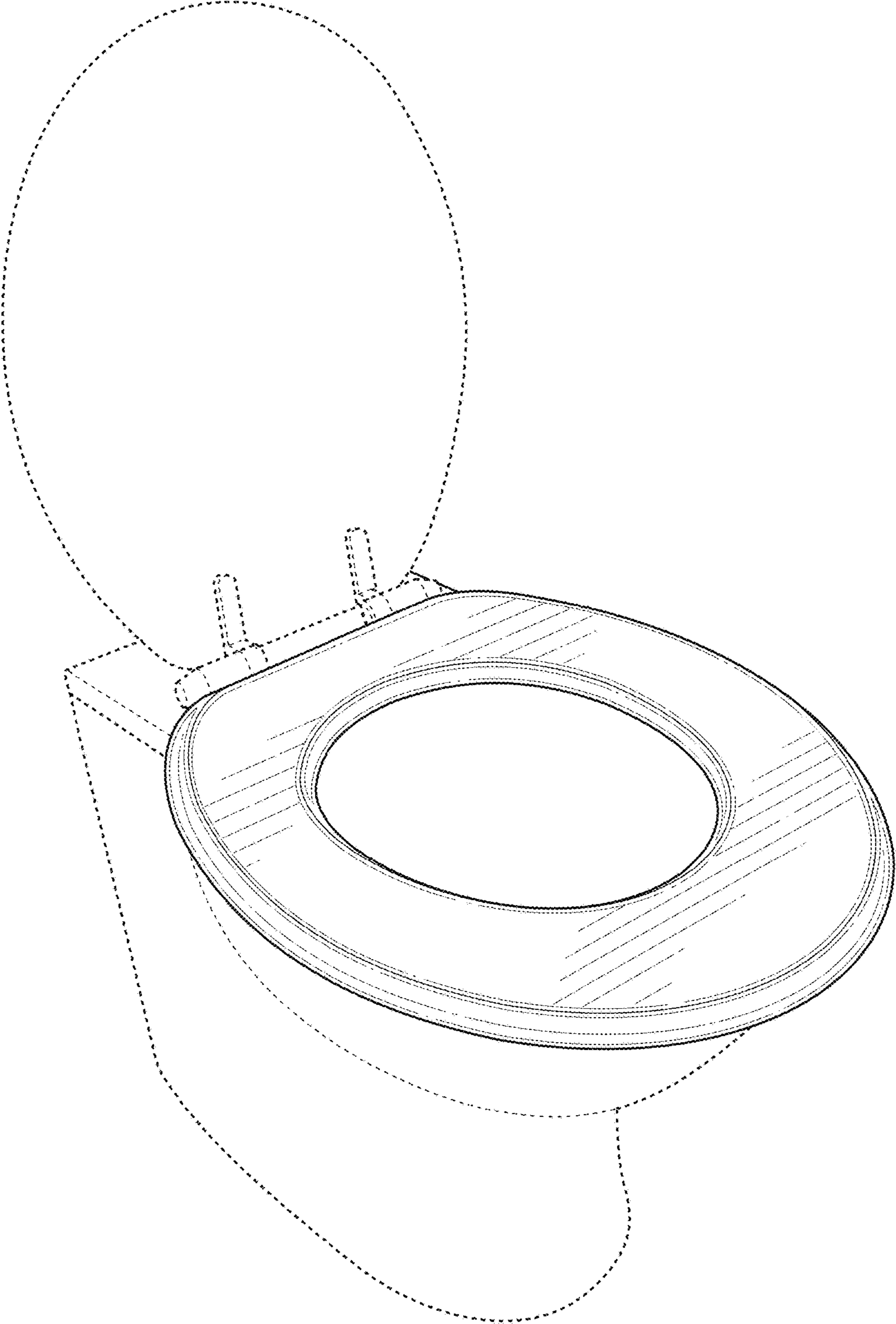


FIG. 1

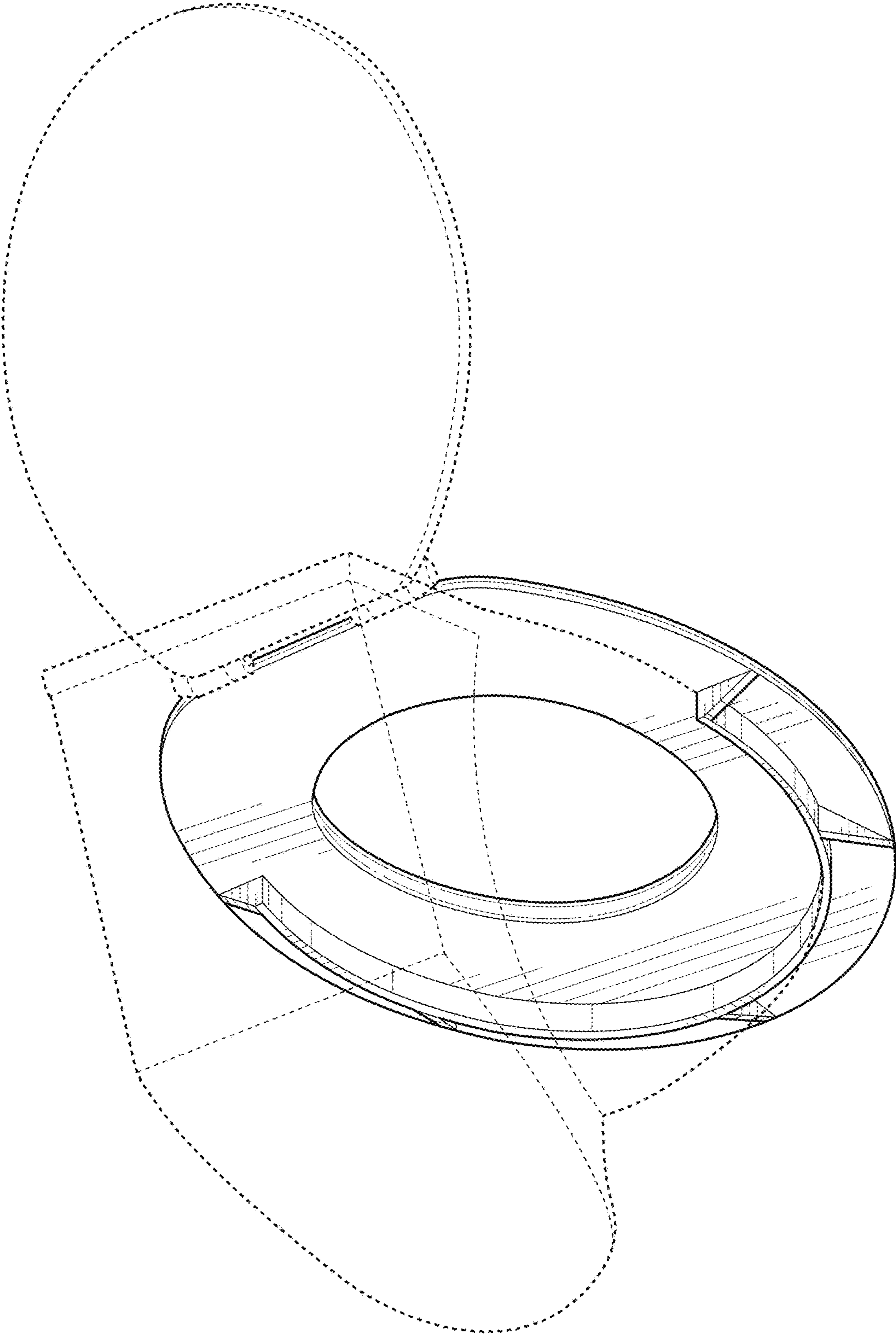
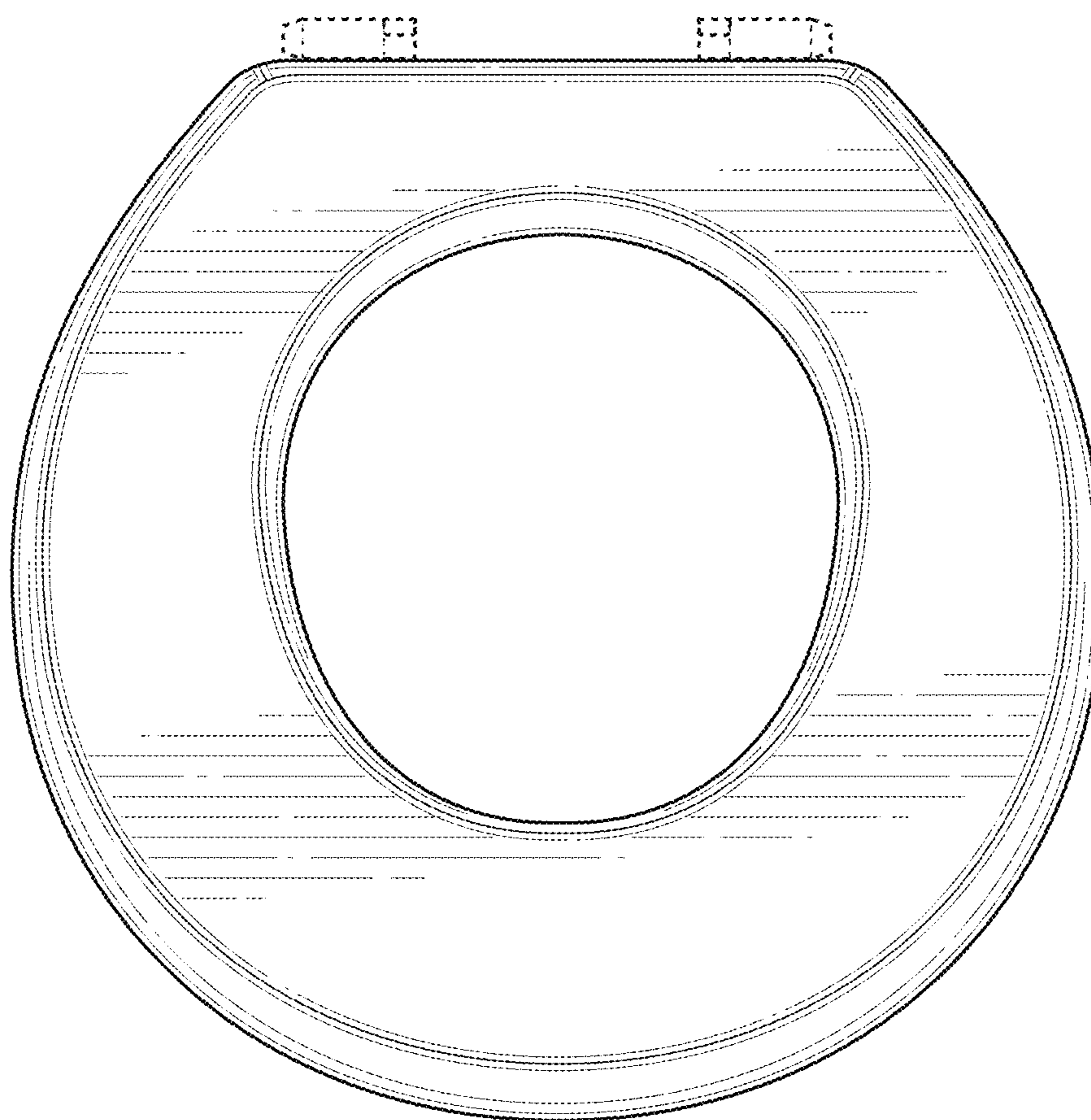


FIG. 2



**FIG. 3**

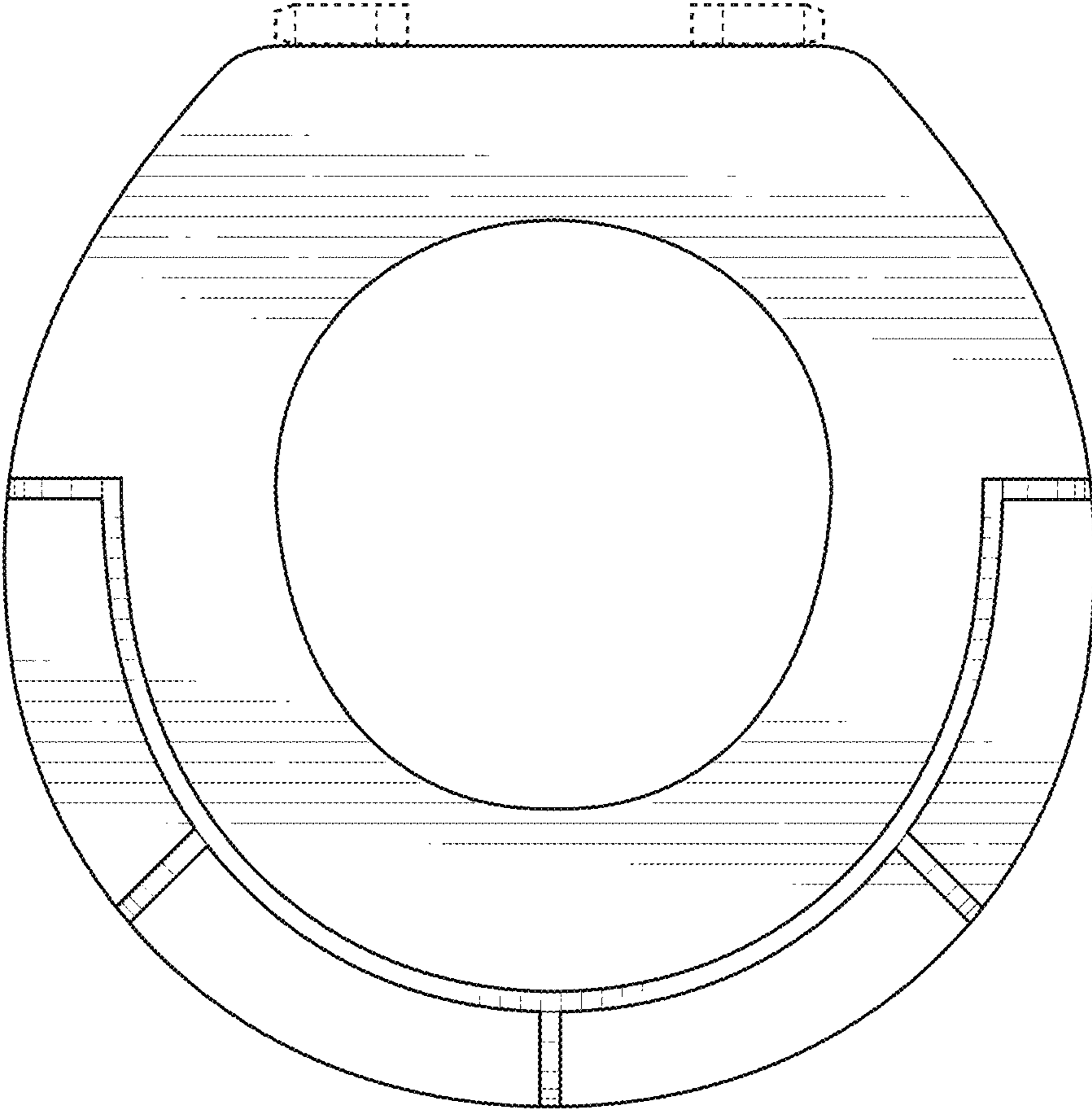


FIG. 4

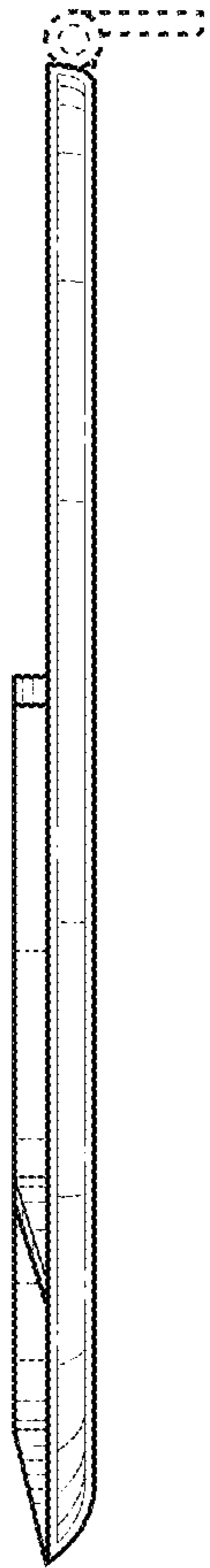


FIG. 5

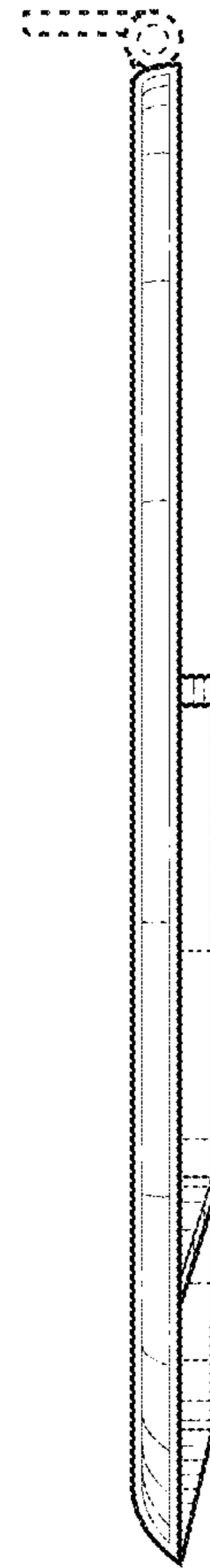
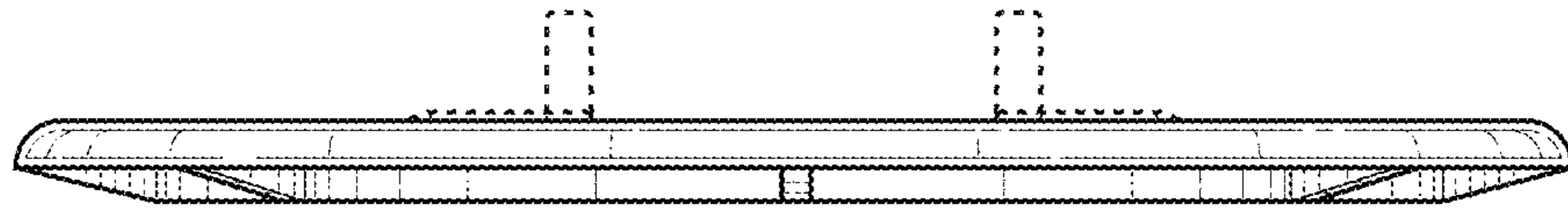
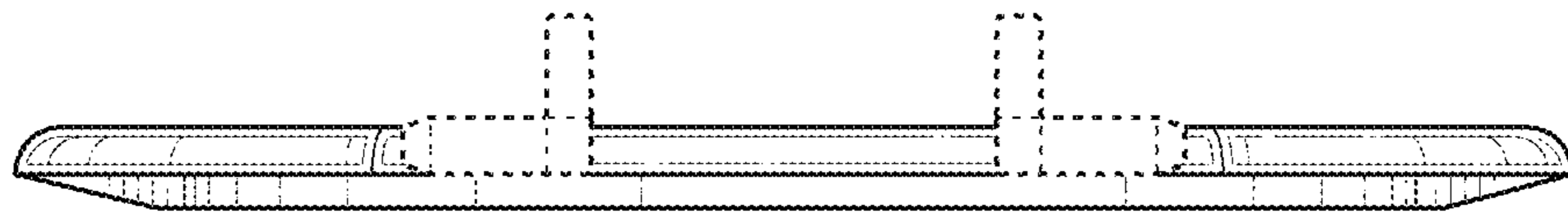


FIG. 6



**FIG. 7**



**FIG. 8**