



US00D838819S

(12) **United States Design Patent**  
**Quinn**

(10) **Patent No.:** **US D838,819 S**

(45) **Date of Patent:** **\*\* \*Jan. 22, 2019**

- (54) **RECTANGULAR SINK**
- (71) Applicant: **Matthew Quinn**, Sugar Hill, GA (US)
- (72) Inventor: **Matthew Quinn**, Sugar Hill, GA (US)
- (73) Assignee: **MTI Baths, Inc.**, Sugar Hill, GA (US)
- (\*) Notice: This patent is subject to a terminal disclaimer.
- (\*\*) Term: **15 Years**
- (21) Appl. No.: **29/610,446**
- (22) Filed: **Jul. 12, 2017**
- (51) **LOC (11) Cl.** ..... **23-02**
- (52) **U.S. Cl.**  
USPC ..... **D23/293.1**
- (58) **Field of Classification Search**  
USPC ..... D23/284, 293.1, 303, 308  
CPC ..... E03C 1/18  
See application file for complete search history.

- 7,721,364 B2 \* 5/2010 Pearson ..... E03C 1/18  
312/228
- D641,455 S \* 7/2011 Euse ..... D23/284
- 9,057,182 B1 \* 6/2015 Friedman ..... E03C 1/18
- D767,738 S \* 9/2016 Osterroth ..... D23/284
- D797,907 S \* 9/2017 Esteve ..... D23/293.1
- D826,386 S \* 8/2018 Bomatter ..... D23/293.1

\* cited by examiner

*Primary Examiner* — Robert A Delehanty

(74) *Attorney, Agent, or Firm* — Stephen J. Stark; Miller & Martin PLLC

(57) **CLAIM**

The ornamental design for a rectangular sink, as shown and described.

**DESCRIPTION**

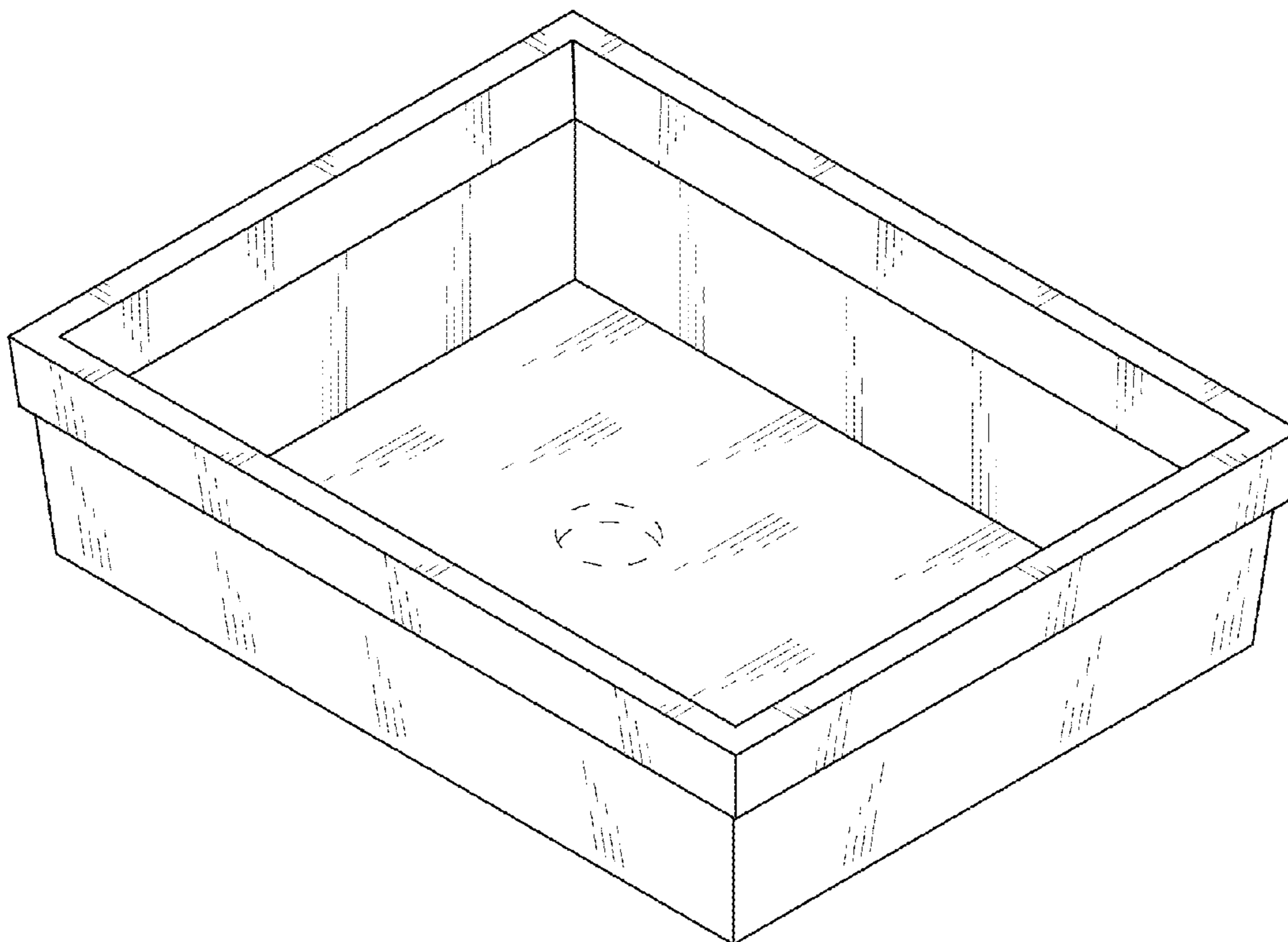
FIG. 1 is a top perspective view of a rectangular sink embodying my new design;  
 FIG. 2 is a left side plan view thereof; the right side being an identical image thereto;  
 FIG. 3 is a front plan view thereof, the rear plan view thereof being identical thereto;  
 FIG. 4 is a top plan view thereof; and,  
 FIG. 5 is a bottom plan view thereof.  
 The broken lines shown in the drawings represent a hole in the sink and form no part of the claimed design.

**1 Claim, 5 Drawing Sheets**

(56) **References Cited**

U.S. PATENT DOCUMENTS

- D504,496 S \* 4/2005 Bayer ..... D23/293.1
- D505,188 S \* 5/2005 Bayer ..... D23/293.1
- D537,150 S \* 2/2007 Morris ..... D23/293.1
- D546,428 S \* 7/2007 Mayer ..... D23/293.1
- D607,979 S \* 1/2010 Jiang ..... D23/293.1



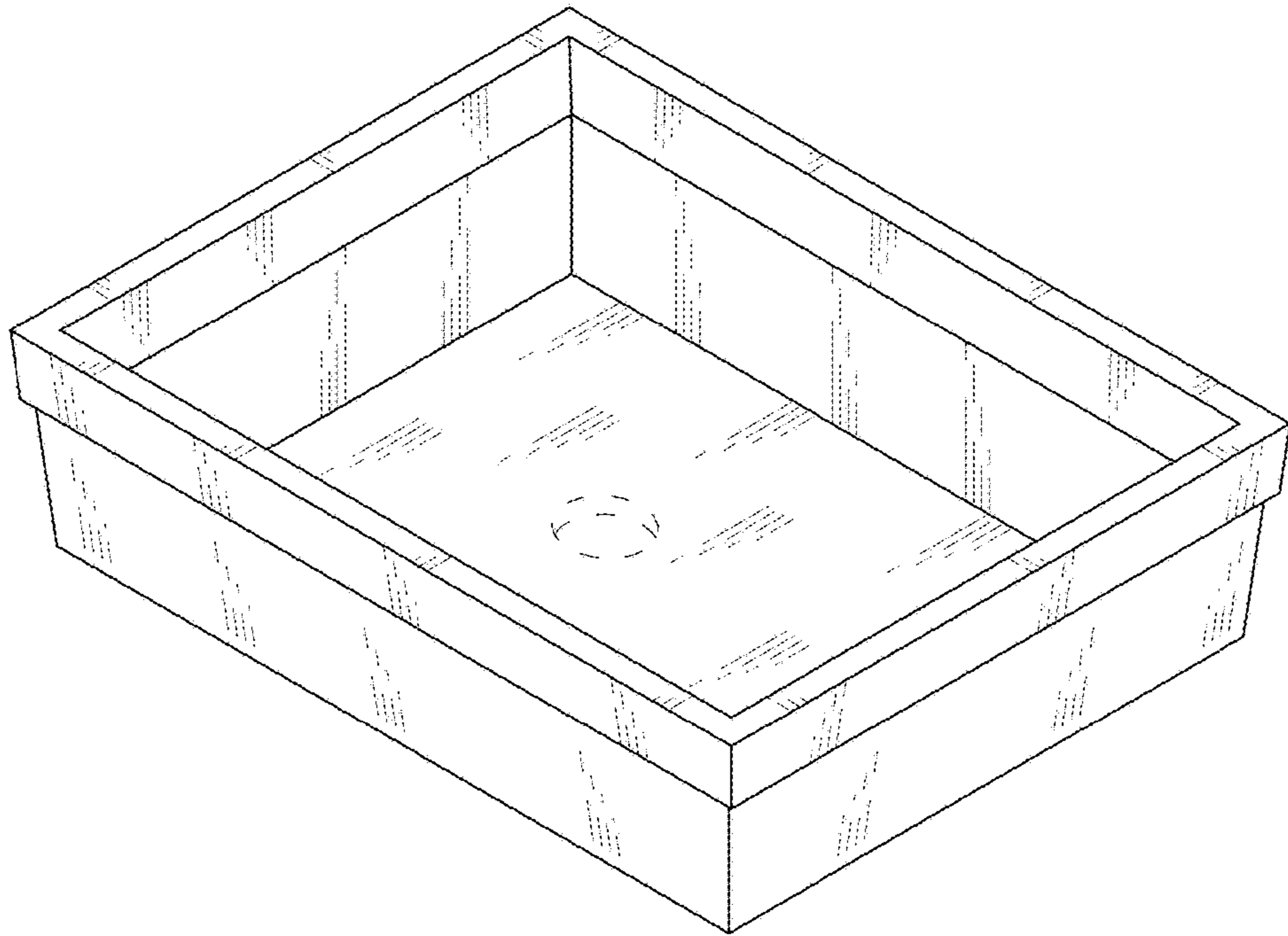


FIG. 1

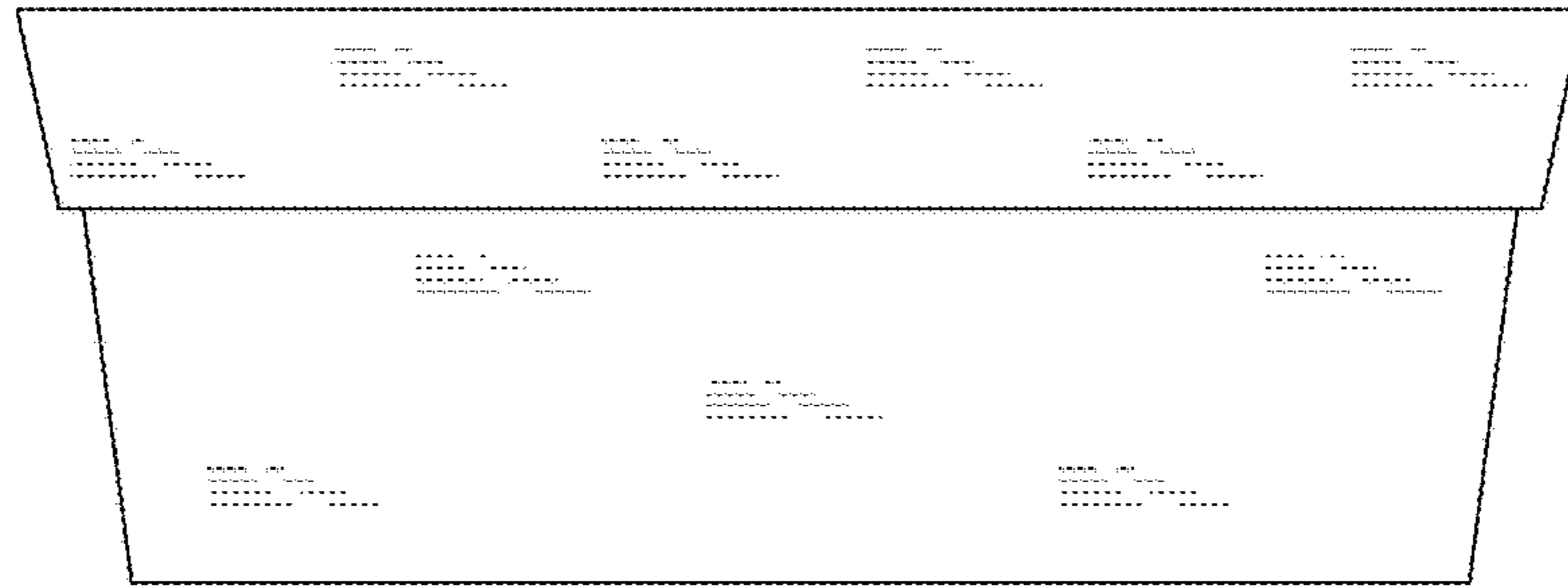


FIG. 2

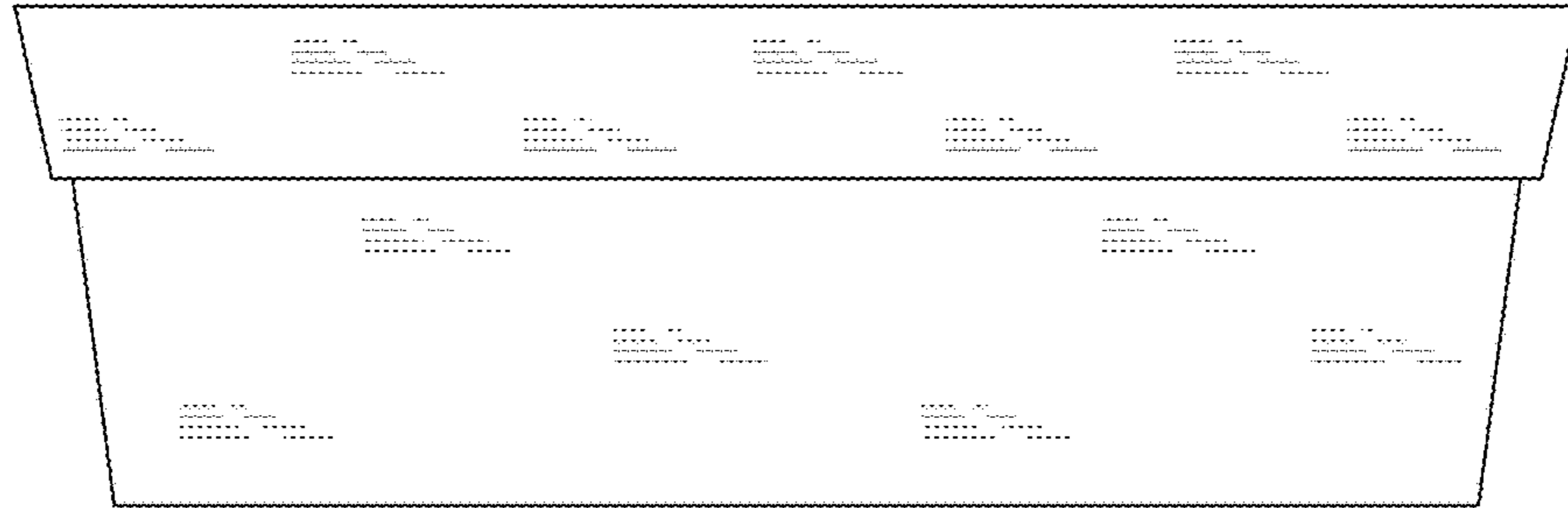


FIG. 3

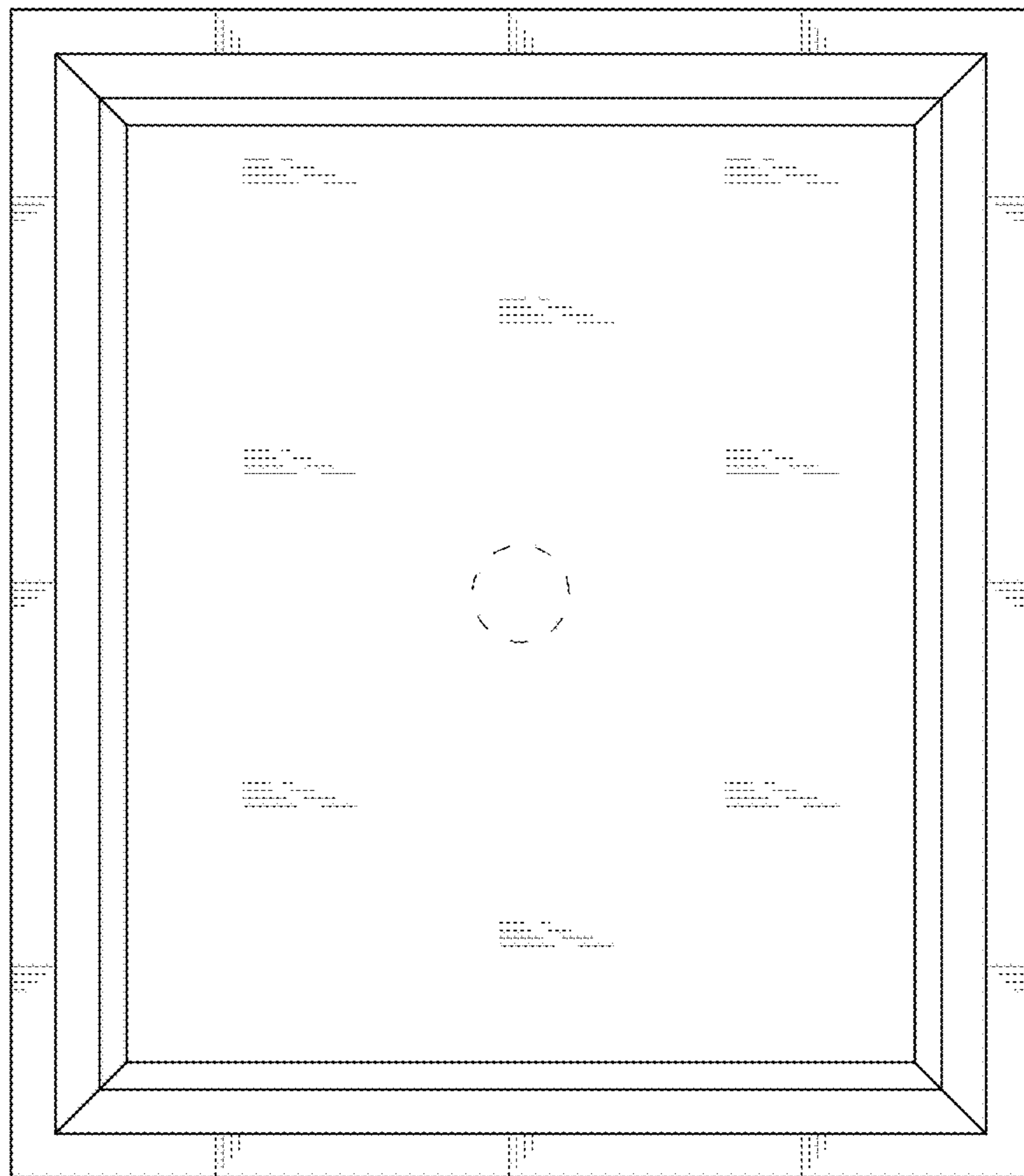


FIG. 4

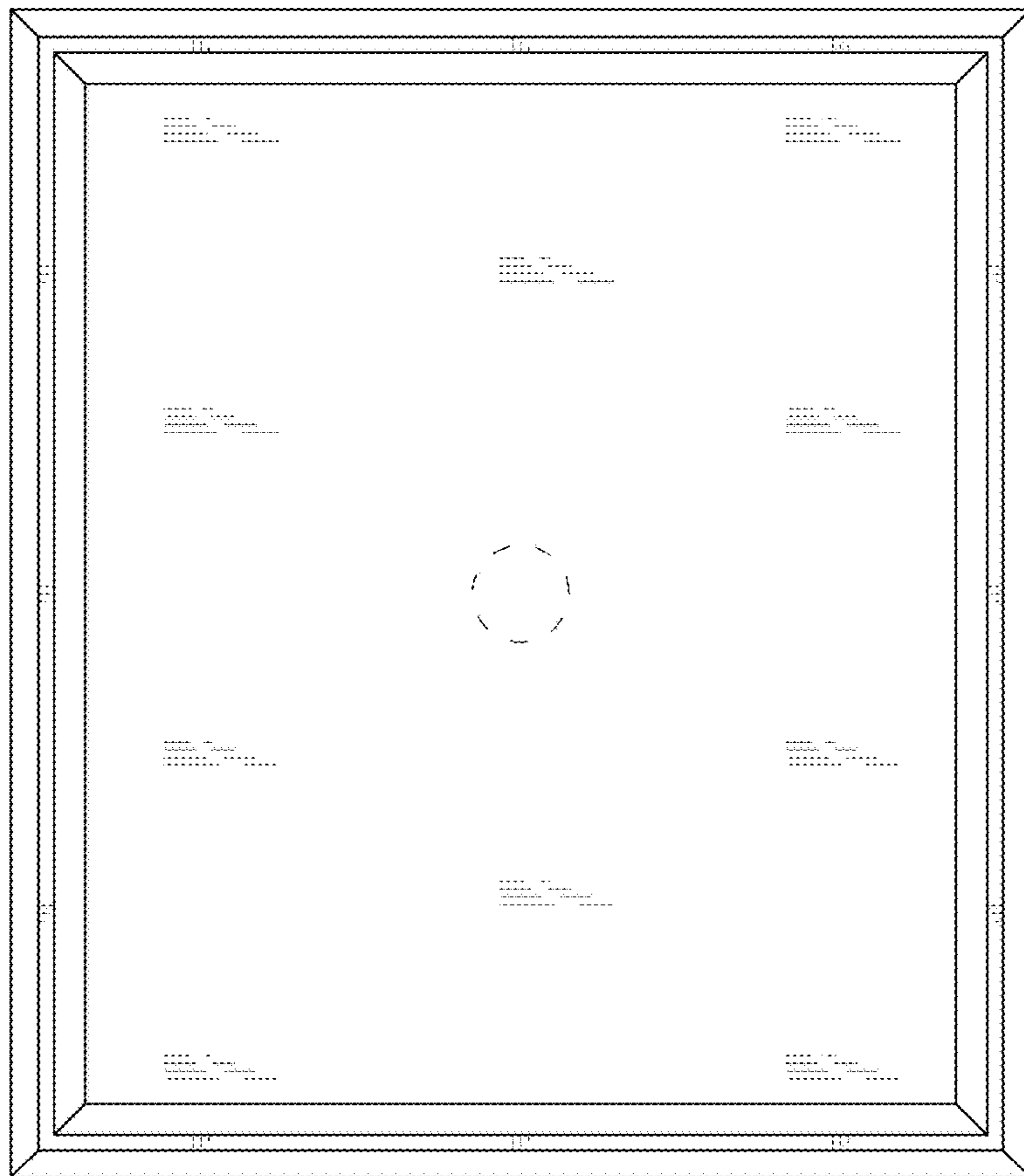


FIG. 5