



US00D838817S

(12) **United States Design Patent**  
**Welch**

(10) **Patent No.:** **US D838,817 S**

(45) **Date of Patent:** **\*\* Jan. 22, 2019**

(54) **PVC PIPE PLUG**

(71) Applicant: **Gordon Welch**, Franklin, NH (US)

(72) Inventor: **Gordon Welch**, Franklin, NH (US)

(\*\*) Term: **15 Years**

(21) Appl. No.: **29/608,890**

(22) Filed: **Jun. 27, 2017**

(51) **LOC (11) Cl.** ..... **23-01**

(52) **U.S. Cl.**  
USPC ..... **D23/260**

(58) **Field of Classification Search**  
USPC ..... D23/259, 262, 266, 213, 224, 235, 237,  
D23/260–261; 138/89, 90, 92, 96 R,  
138/96 T; 15/104.33, 104  
CPC . F16L 55/00; F16L 55/10; F16L 55/11; F16L  
55/132; F16L 55/136; F16L 23/00; E03C  
1/00; E03C 1/30; E03C 1/28; E03C  
1/282; B08B 9/02; Y10T 137/863; Y10T  
137/8376

See application file for complete search history.

(56) **References Cited**

**U.S. PATENT DOCUMENTS**

600,751 A	3/1898	Streeter	
658,313 A	9/1900	Bernardi	
789,683 A	3/1905	Campbell	
2,241,560 A	5/1941	Schouler	
2,602,168 A	7/1952	Lally et al.	
D209,377 S *	11/1967	Pomroy	D23/260
D209,379 S *	11/1967	Quick	D23/260
3,494,504 A *	2/1970	Jackson	F16L 55/132 138/89
3,667,640 A *	6/1972	Morrow	F16L 55/132 138/89
4,303,101 A *	12/1981	Tholen	F16L 55/132 138/89
4,585,033 A *	4/1986	Westman	F16L 55/132 138/89
4,717,050 A	1/1988	Wright	

5,016,674 A *	5/1991	Kiss	F28F 11/04 138/89
5,348,085 A *	9/1994	Benson	B09C 1/00 166/92.1
D372,960 S *	8/1996	Allmon	D23/260
D412,738 S *	8/1999	Kuwabara	D23/233
D482,761 S *	11/2003	Gotoh	D23/233
7,353,839 B2 *	4/2008	Calkins	F16K 1/34 137/317
7,464,727 B1	12/2008	Larson et al.	
D627,038 S *	11/2010	Yu	D23/260
8,333,219 B2	12/2012	Holstad	
8,733,404 B2 *	5/2014	Zeyfang	F16L 55/1108 138/89

(Continued)

**FOREIGN PATENT DOCUMENTS**

EP	0147557	10/1985
EP	0662428	12/1995

*Primary Examiner* — Eric L Goodman

*Assistant Examiner* — Amy C Wierenga

(74) *Attorney, Agent, or Firm* — Gary E. Lambert; David J. Connaughton, Jr.; Lambert Shortell & Connaughton

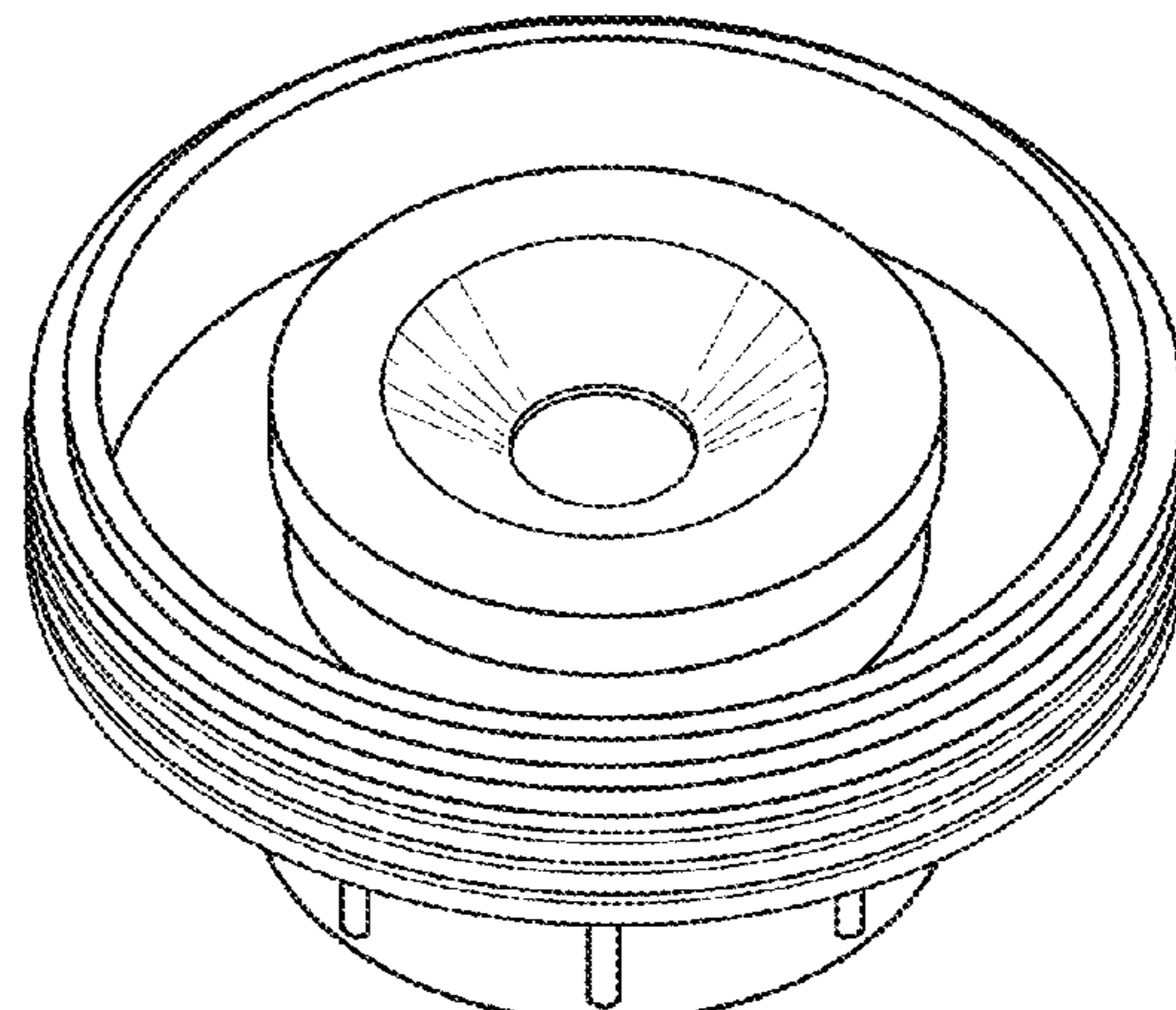
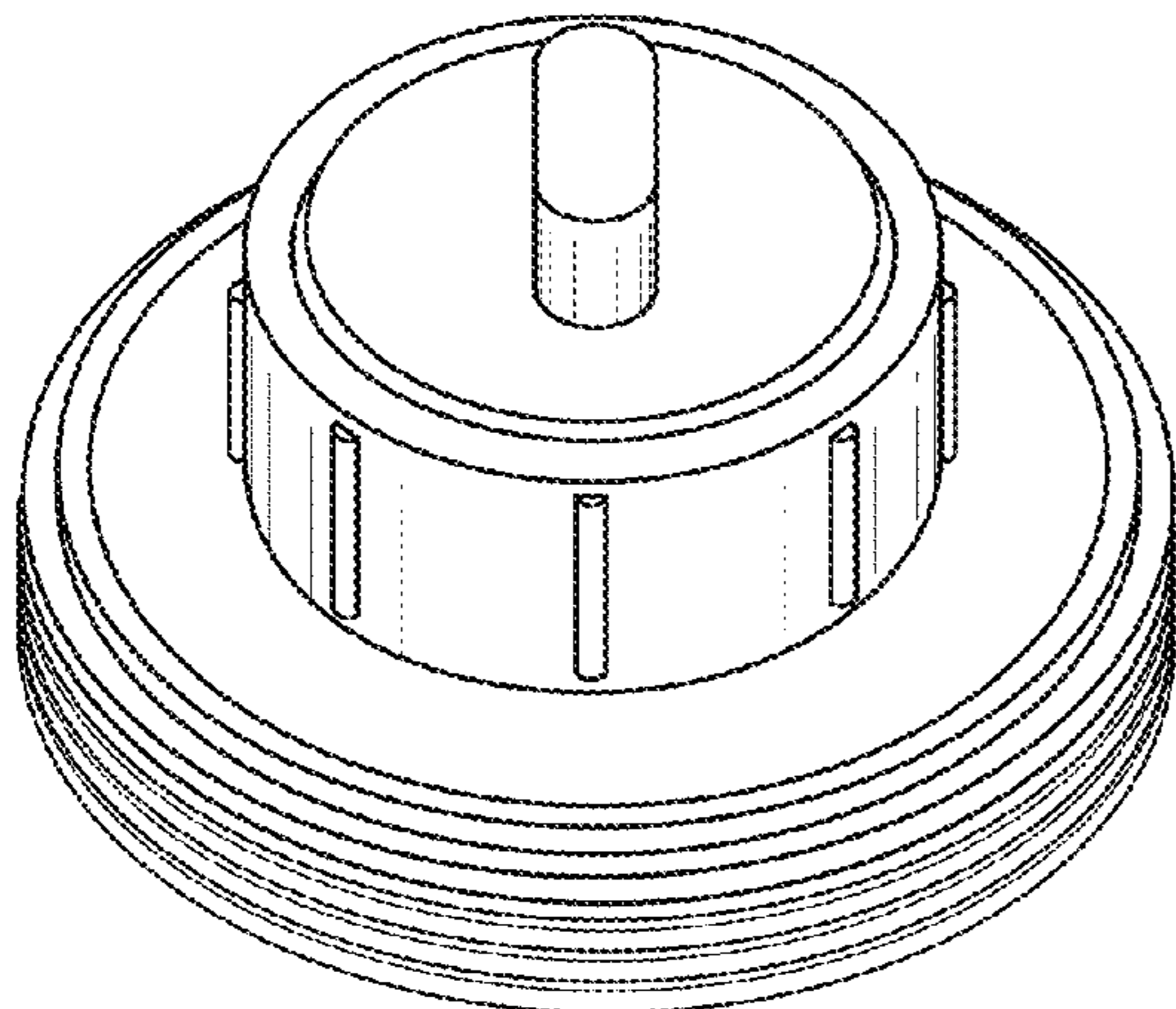
(57) **CLAIM**

The ornamental design for a PVC pipe plug, as shown and described.

**DESCRIPTION**

FIG. 1 is a front perspective view of the PVC pipe plug, which embodies my design;  
FIG. 2 is a front perspective view of the bottom of the PVC pipe plug;  
FIG. 3 is a top plane view of the PVC pipe plug;  
FIG. 4 is a bottom plane view of the PVC pipe plug;  
FIG. 5 is a side view of the PVC pipe plug;  
FIG. 6 is a side view of the PVC pipe plug; and,  
FIG. 7 is an exploded view of the PVC pipe plug.

**1 Claim, 4 Drawing Sheets**



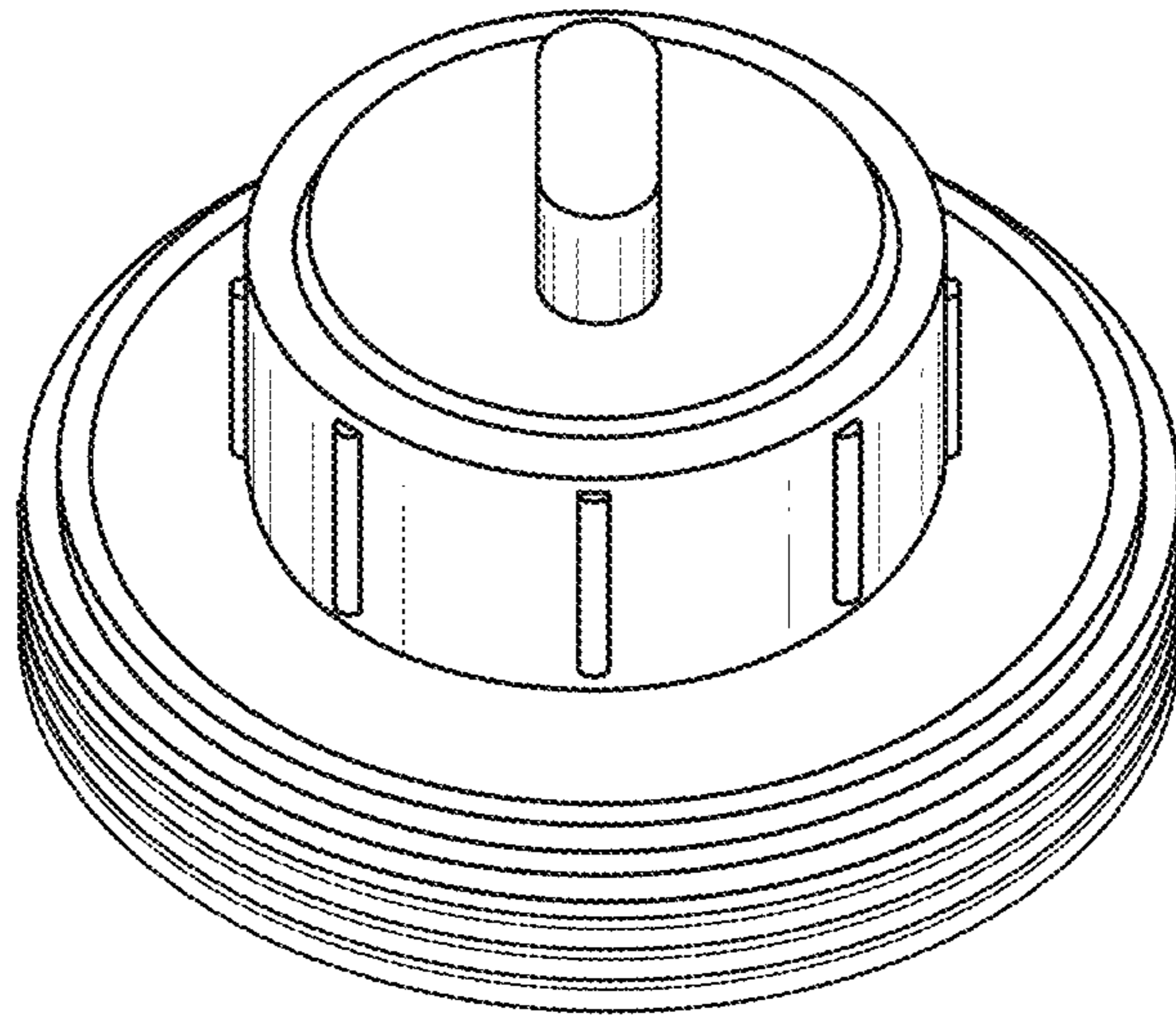
(56)

**References Cited**

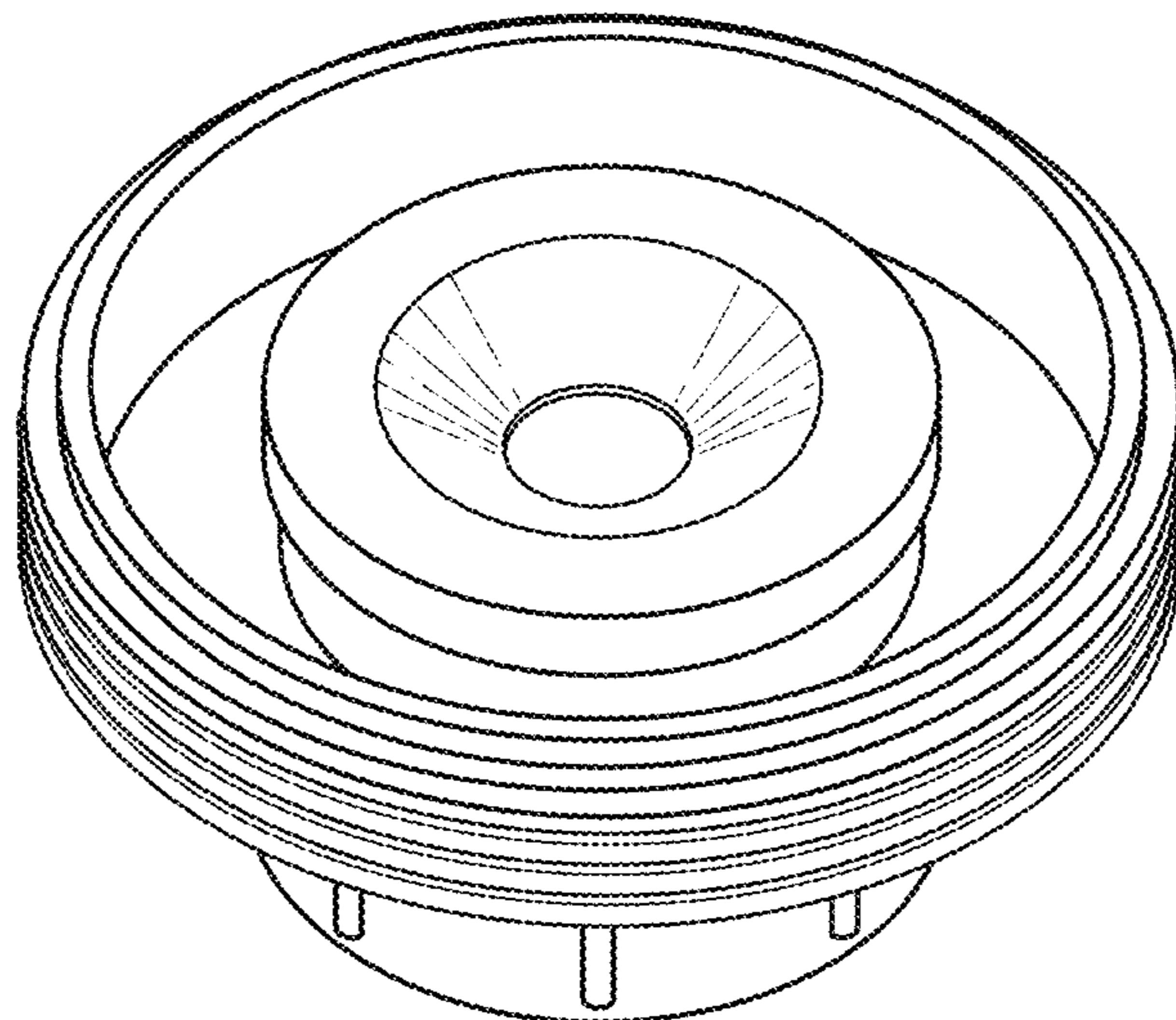
U.S. PATENT DOCUMENTS

D716,916 S \* 11/2014 Snow ..... D23/262  
D720,045 S \* 12/2014 Landi ..... D23/233  
2001/0035223 A1\* 11/2001 Rahimzadeh ..... F16L 25/14  
138/96 R  
2013/0239315 A1 9/2013 Kipp  
2014/0332031 A1 11/2014 Leggett

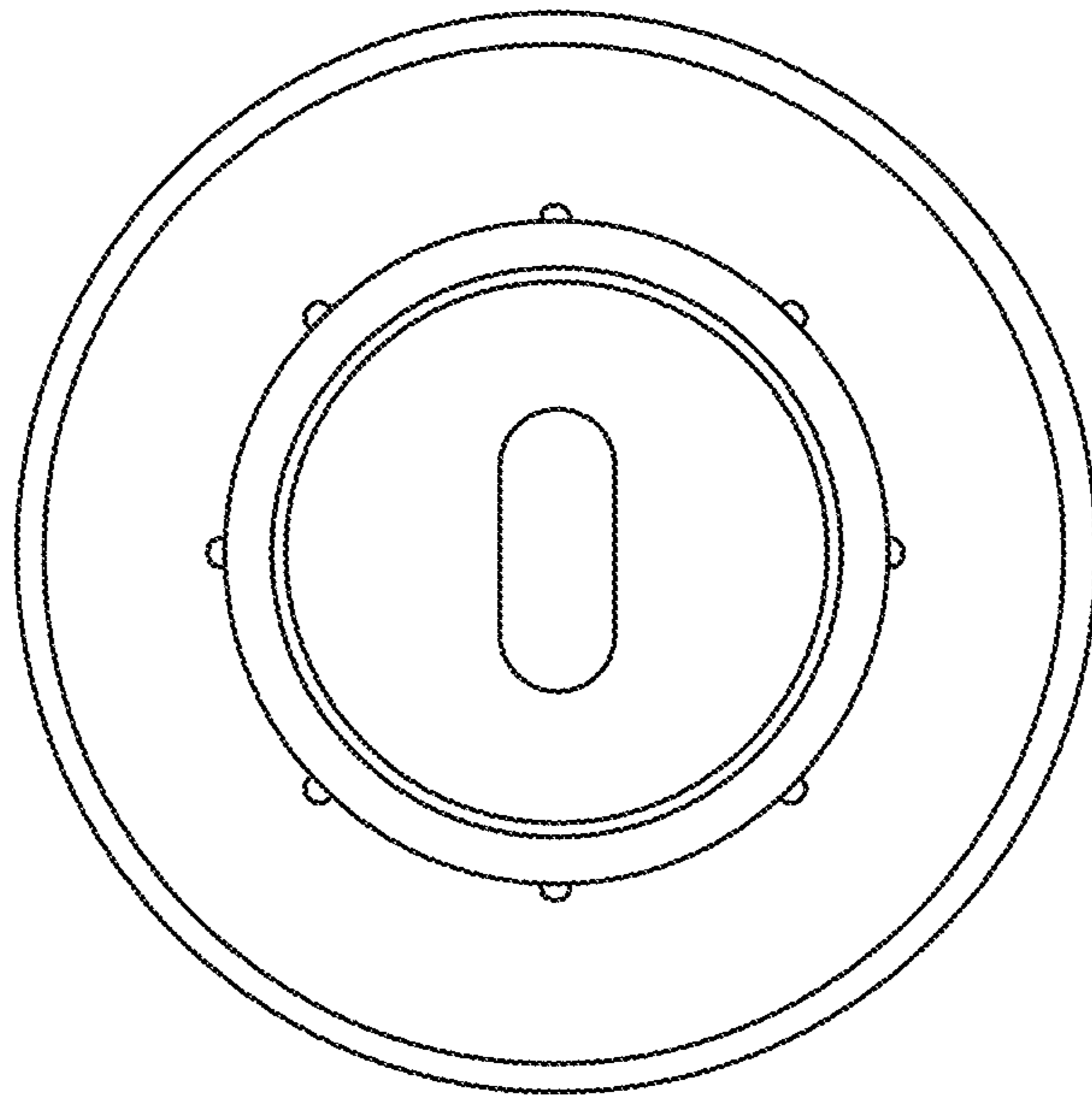
\* cited by examiner



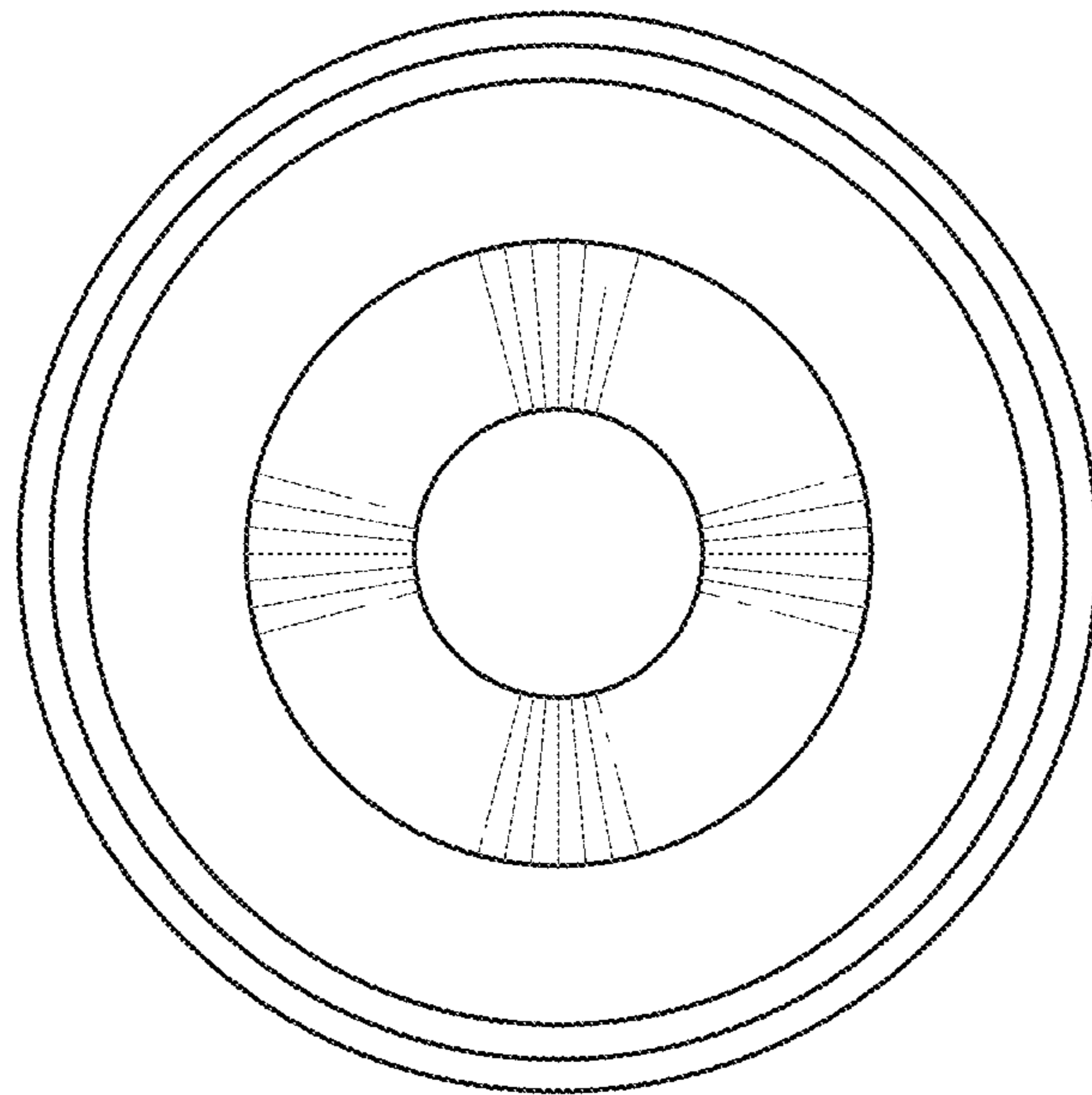
*Fig. 1*



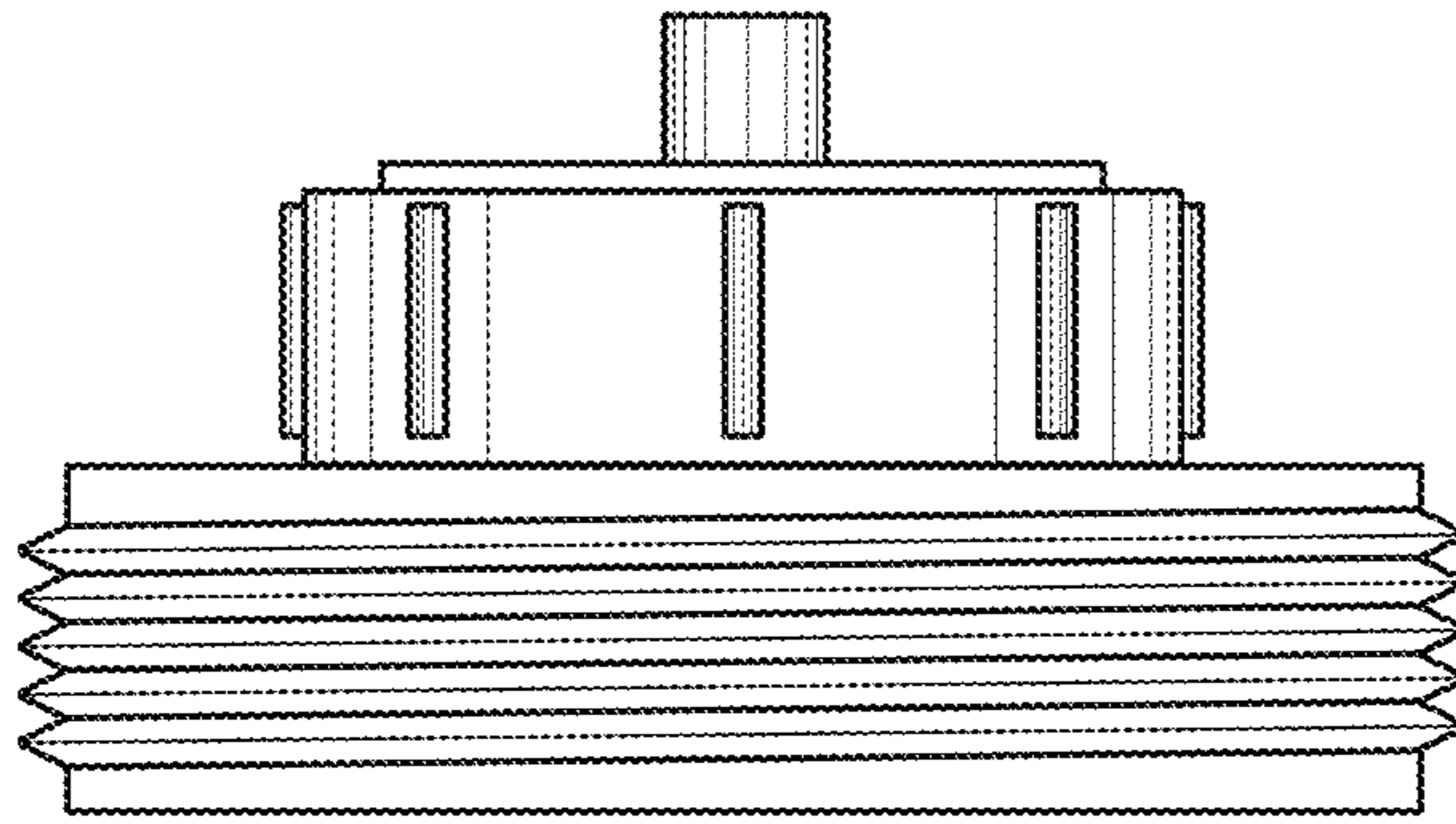
*Fig. 2*



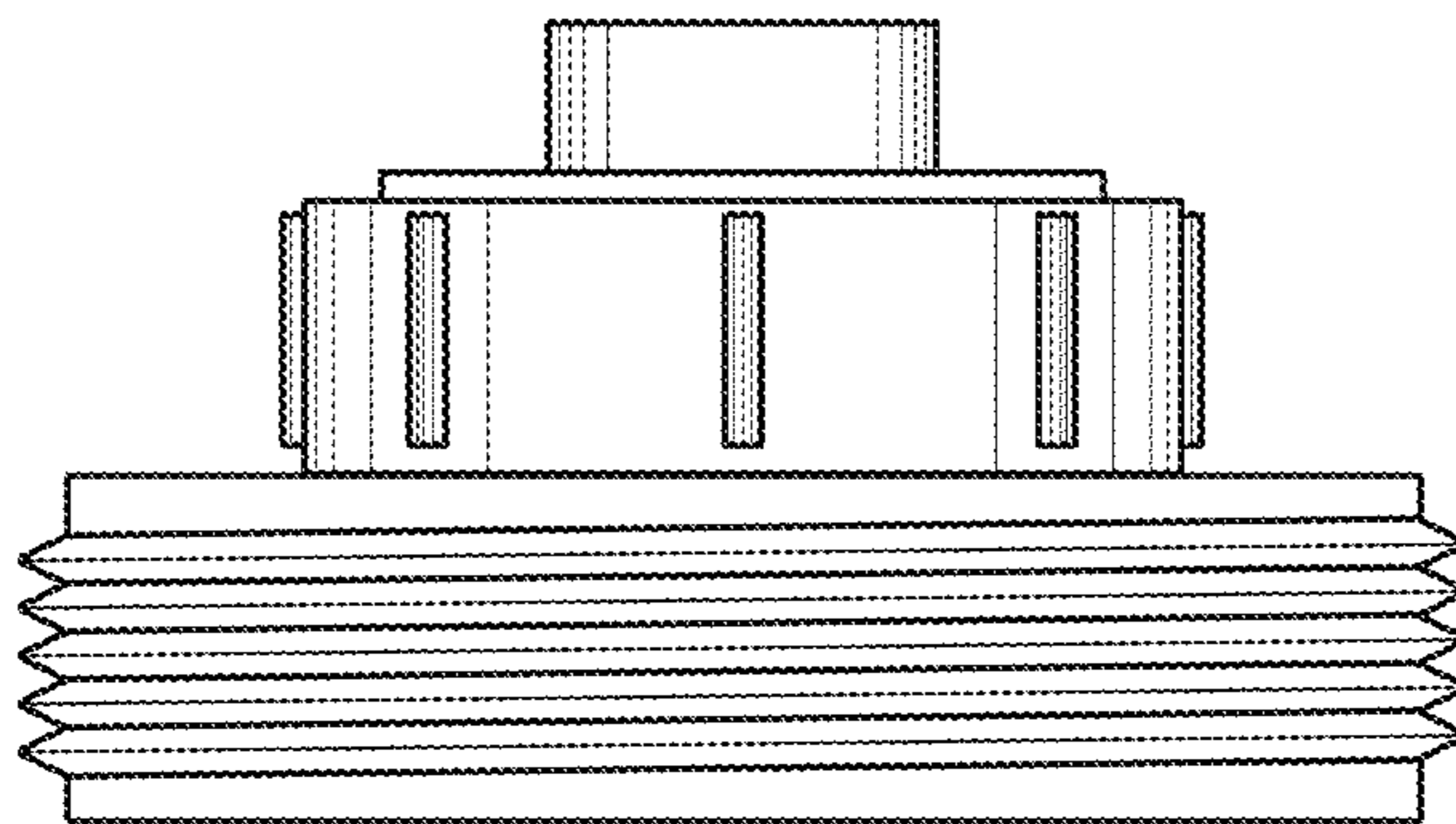
*Fig. 3*



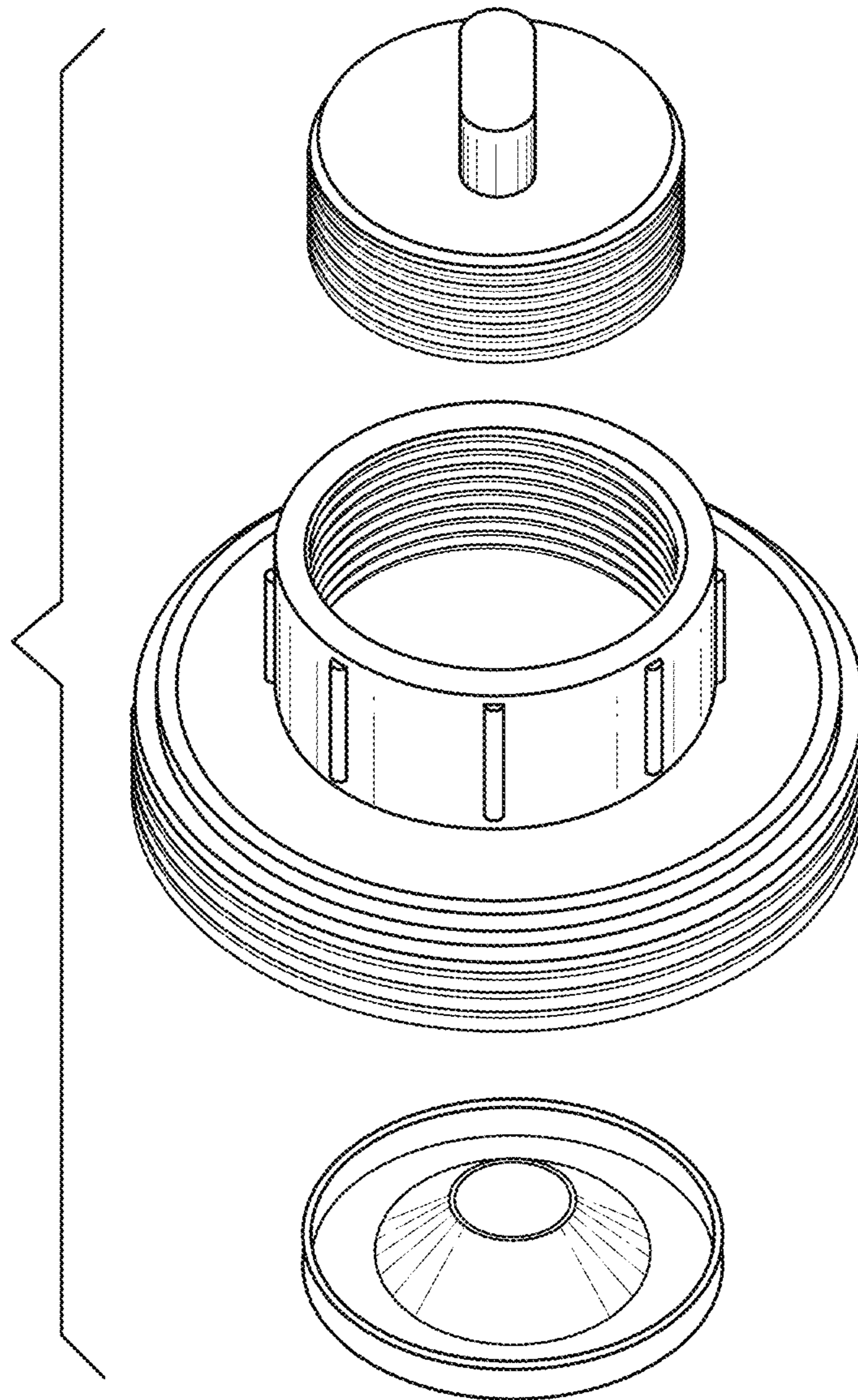
*Fig. 4*



*Fig. 5*



*Fig. 6*



*Fig. 7*