



US00D838815S

(12) **United States Design Patent** (10) **Patent No.:** **US D838,815 S**
Sedwick (45) **Date of Patent:** **** Jan. 22, 2019**

(54) **TUB SPOUT**
(71) Applicant: **Moen Incorporated**, North Olmsted, OH (US)
(72) Inventor: **Jennifer P. Sedwick**, Lakewood, OH (US)
(73) Assignee: **Moen Incorporated**, North Olmsted, OH (US)
(**) Term: **15 Years**

D421,100 S 2/2000 Green et al.
D424,664 S 5/2000 Green et al.
D428,971 S 8/2000 Milrud et al.
D442,266 S 5/2001 Marinov et al.
D460,809 S 7/2002 Singtoroj
D462,750 S 9/2002 Lord
D463,014 S 9/2002 Lord
D463,534 S 9/2002 Lord
D463,536 S 9/2002 Lord
D464,407 S 10/2002 Singtoroj
D465,833 S 11/2002 Singtoroj
D466,594 S 12/2002 Otero et al.
D467,321 S 12/2002 Otero et al.

(Continued)

(21) Appl. No.: **29/605,551**

(22) Filed: **May 26, 2017**

(51) **LOC (11) Cl.** **23-01**

(52) **U.S. Cl.**
USPC **D23/257**

(58) **Field of Classification Search**
USPC D23/238-242, 249, 255, 257
CPC Y10T 137/9464
See application file for complete search history.

(56) **References Cited**

U.S. PATENT DOCUMENTS

1,150,098 A 8/1915 Bunting
D76,996 S 11/1928 Fraser
D77,373 S 1/1929 Smith
1,790,316 A 1/1931 Mueller
1,824,492 A 9/1931 Morris
D98,043 S 12/1935 Tjaarda
D113,396 S 2/1939 Reinecke
3,086,748 A 4/1963 Reinemann
D218,034 S 7/1970 Mongerson et al.
D261,027 S 9/1981 Klose
D266,452 S 10/1982 Fleischmann et al.
D296,235 S 6/1988 Schmitz
D353,877 S 12/1994 Rogers
D365,143 S 12/1995 Fabian
D411,874 S 7/1999 Ko

OTHER PUBLICATIONS

Delta Cassidy Tub Spout, the Delta Cassidy tub spout is believed to have been publicly available prior to May 26, 2016 (1 page).

(Continued)

Primary Examiner — Robert A Delehanty

(74) *Attorney, Agent, or Firm* — Calfee, Halter & Griswold LLP

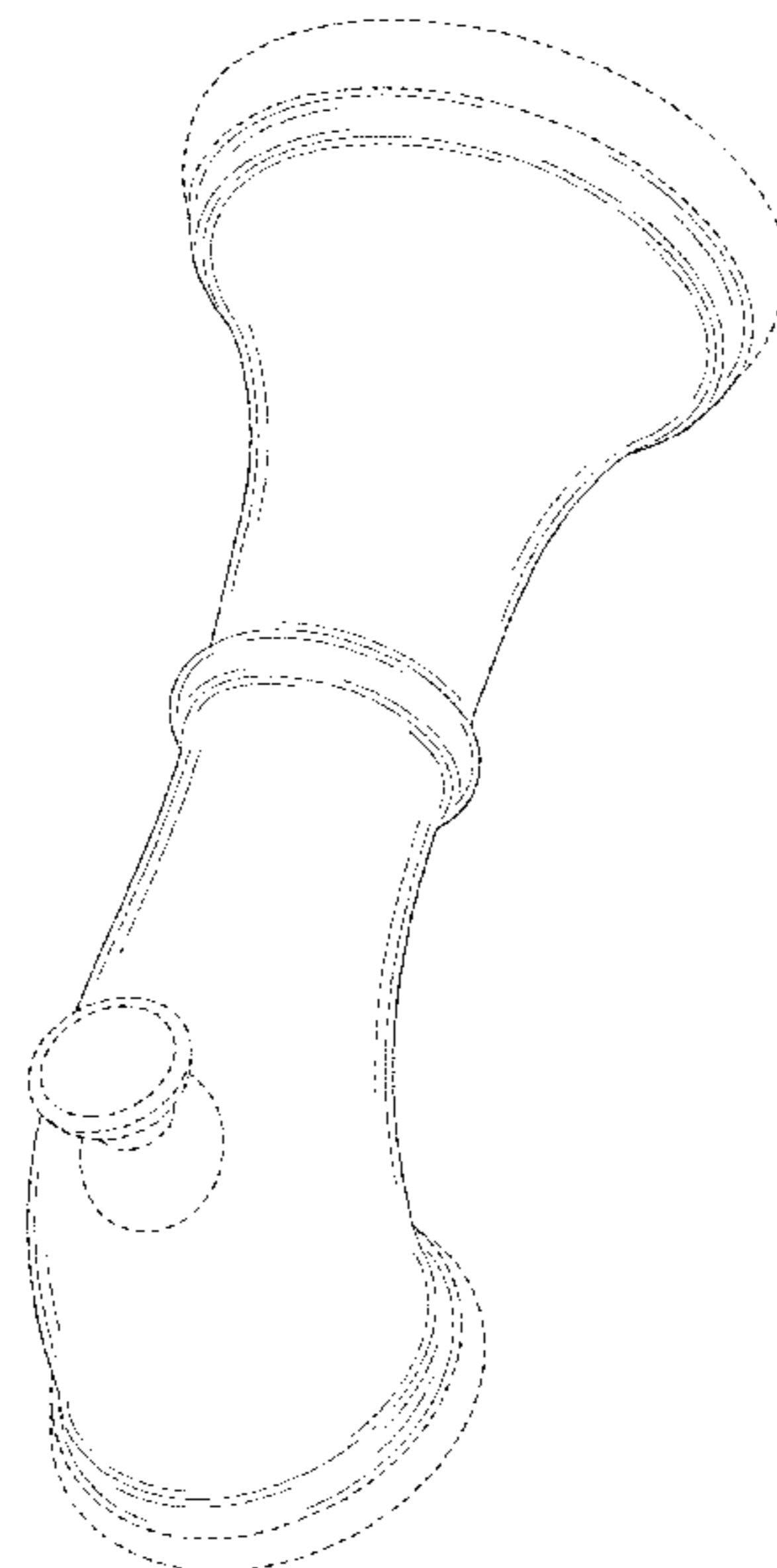
(57) **CLAIM**

The ornamental design for a tub spout, as shown and described.

DESCRIPTION

FIG. 1 is a perspective view of a tub spout of the new design; FIG. 2 is a front elevational view of the tub spout of FIG. 1; FIG. 3 is a left side elevational view of the tub spout of FIG. 1, the right side elevational view being a mirror image thereof; FIG. 4 is a top plan view of the tub spout of FIG. 1; and, FIG. 5 is a bottom plan view of the tub spout of FIG. 1. The portions of the Figures shown in broken lines are not part of the claimed design and are for illustration only.

1 Claim, 3 Drawing Sheets



(56)

References Cited

U.S. PATENT DOCUMENTS

D478,156 S	8/2003	Veltz	
D486,564 S	2/2004	Graves et al.	
D487,136 S	2/2004	Blomstrom	
D516,186 S	2/2006	Gilbert	
D529,589 S	10/2006	Veltz et al.	
D531,279 S	10/2006	Blomstrom	
D531,705 S	11/2006	Green	
D533,258 S	12/2006	Berberet	
D551,326 S	9/2007	Zhu	
D573,695 S	7/2008	Rexach	
D574,062 S	7/2008	Kohler, Jr. et al.	
D574,470 S	8/2008	Wolf	
D574,471 S	8/2008	Downey	
D590,051 S	4/2009	Huang	
D601,667 S	10/2009	Schoenherr et al.	
D601,670 S	10/2009	Corbett	
D603,482 S	11/2009	Tippens et al.	
D612,460 S	3/2010	Yang	
D626,199 S	10/2010	Huang	
D626,634 S	* 11/2010	Lammel	D23/255
D639,913 S	6/2011	Jones et al.	
D639,914 S	6/2011	Jones et al.	
D651,288 S	12/2011	Slothower et al.	
D710,975 S	8/2014	Huang	
D726,284 S	4/2015	Huang	
D790,671 S	* 6/2017	Zhang	D23/257
D817,461 S	* 5/2018	Downey	D23/255

OTHER PUBLICATIONS

Kohler Kelston Tub Spout, the Kohler Kelston tub spout is believed to have been publicly available prior to May 26, 2016 (1 page).

* cited by examiner

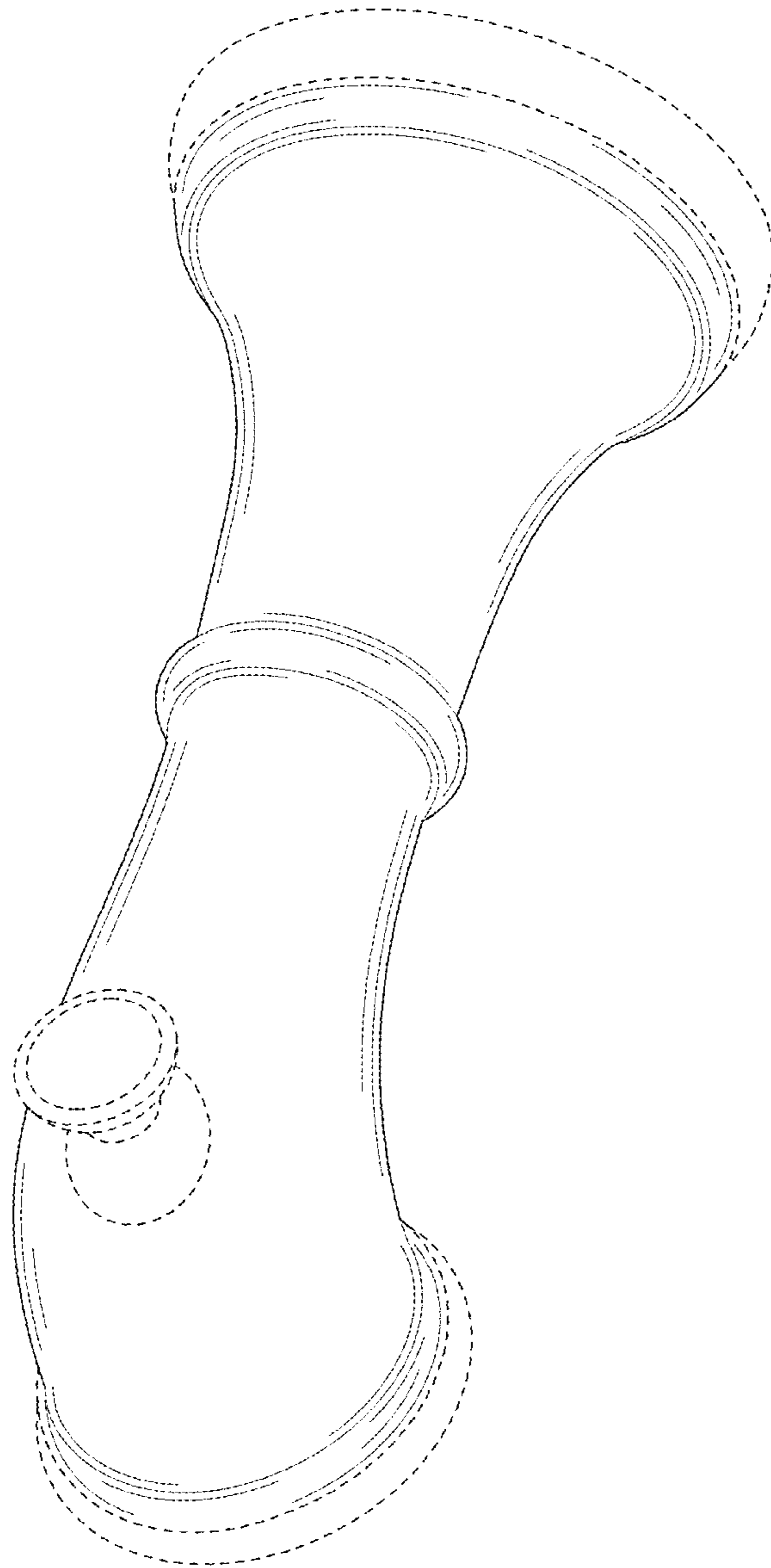


FIG. 1

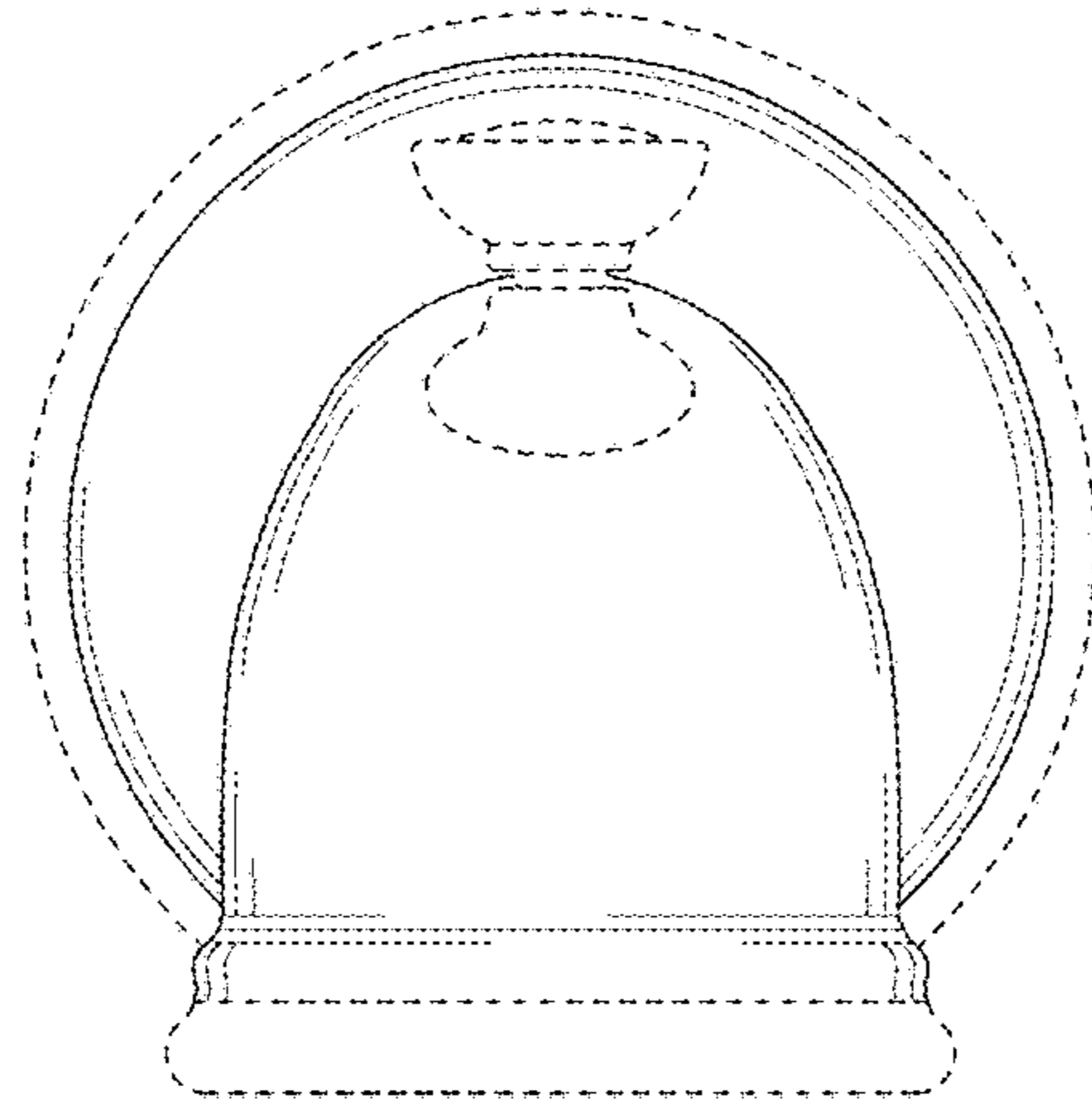


FIG. 2

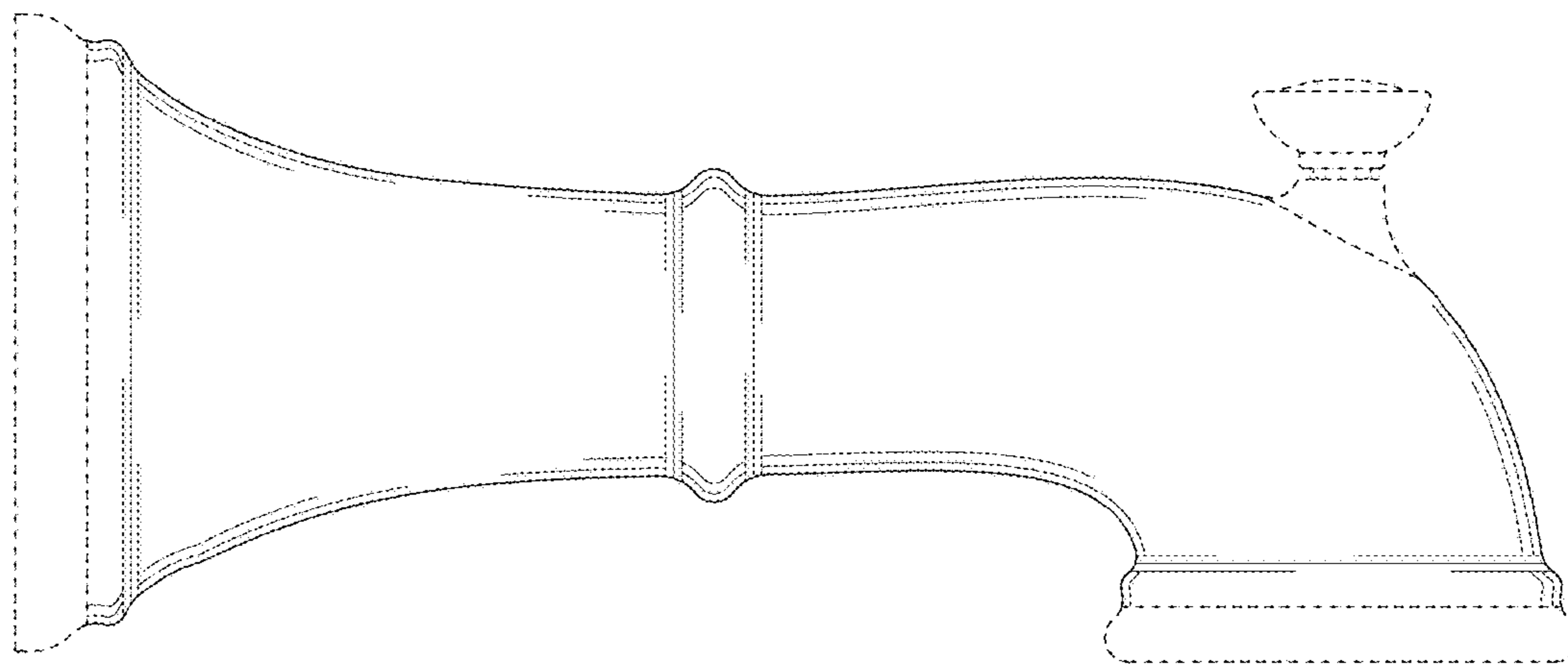


FIG. 3

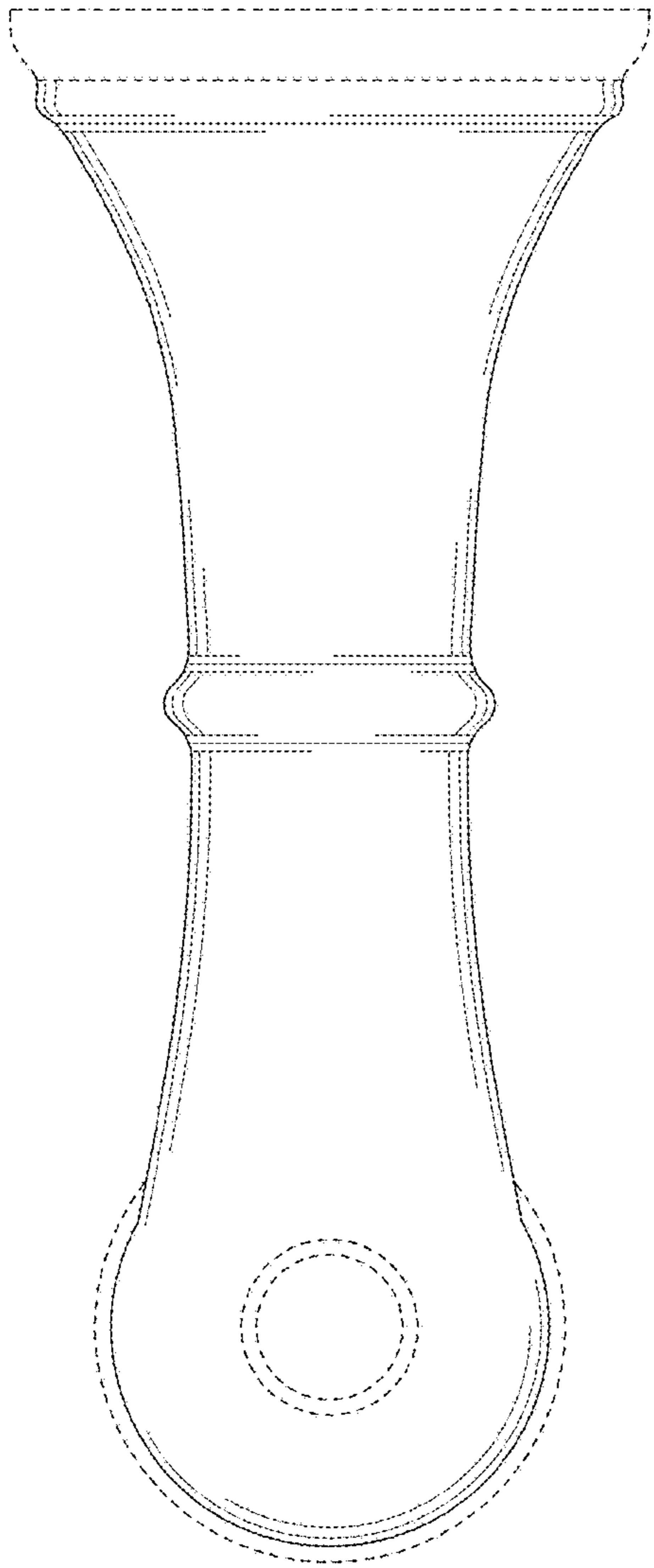


FIG. 4

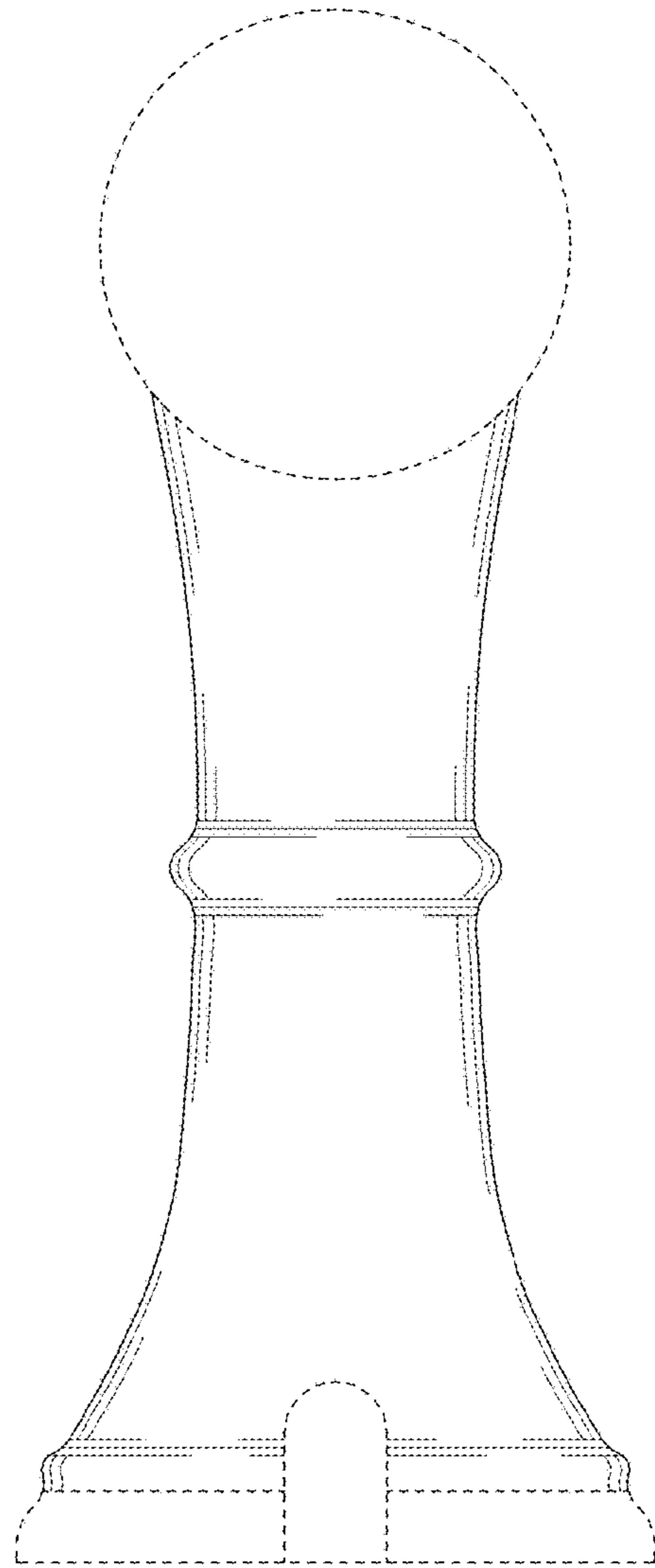


FIG. 5