



US00D838812S

(12) **United States Design Patent**
Komatsuzaki et al.

(10) **Patent No.:** **US D838,812 S**
(45) **Date of Patent:** **** Jan. 22, 2019**

(54) **FLOW CONTROL VALVE**
(71) Applicant: **SMC CORPORATION**, Tokyo (JP)
(72) Inventors: **Hisashi Komatsuzaki**, Moriya (JP);
Hisataka Kato, Joso (JP); **Motohiro Soutome**, Ayase (JP)
(73) Assignee: **SMC CORPORATION**, Tokyo (JP)
(**) Term: **15 Years**

D800,258 S * 10/2017 Komatsuzaki D23/235
D802,098 S * 11/2017 Hofmann D23/249
D809,110 S * 1/2018 Nahum D23/259

FOREIGN PATENT DOCUMENTS

CN 302651839 S 11/2013
JP D1561775 S 10/2016
JP D1561776 S 10/2016
JP D1561777 S 10/2016
JP D1561778 S 11/2016

* cited by examiner

(21) Appl. No.: **29/628,500**
(22) Filed: **Dec. 5, 2017**
(30) **Foreign Application Priority Data**

Primary Examiner — Cynthia Ramirez
Assistant Examiner — Gino Colan
(74) *Attorney, Agent, or Firm* — Birch, Stewart, Kolasch & Birch, LLP

Jun. 30, 2017 (JP) 2017-014090
(51) **LOC (11) Cl.** **23-01**
(52) **U.S. Cl.**
USPC **D23/235**
(58) **Field of Classification Search**
USPC D23/233–250, 259, 262, 263;
137/118.04, 498, 516.11, 597, 602,
137/533.11, 625.46, 270, 887, 876,
137/599.11, 10, 12, 15.18
CPC F16K 27/0263; F16K 31/0603
See application file for complete search history.

(57) **CLAIM**

The ornamental design for a flow control valve, as shown and described.

DESCRIPTION

FIG. 1 is a front, top and left side perspective view of a flow control valve showing our new design;
FIG. 2 is a rear, bottom and right side perspective view thereof;
FIG. 3 is a front view thereof;
FIG. 4 is a rear view thereof;
FIG. 5 is a top plan view thereof;
FIG. 6 is a bottom plan view thereof;
FIG. 7 is a left side view thereof; and,
FIG. 8 is a right side view thereof.
The dash-dotted lines represent the bounds of the claimed design that form no part of the claimed design.

(56) **References Cited**

U.S. PATENT DOCUMENTS

D541,379 S * 4/2007 Nortier D23/233
D743,004 S * 11/2015 Knight D23/259
D794,166 S * 8/2017 Komatsuzaki D23/235

1 Claim, 8 Drawing Sheets

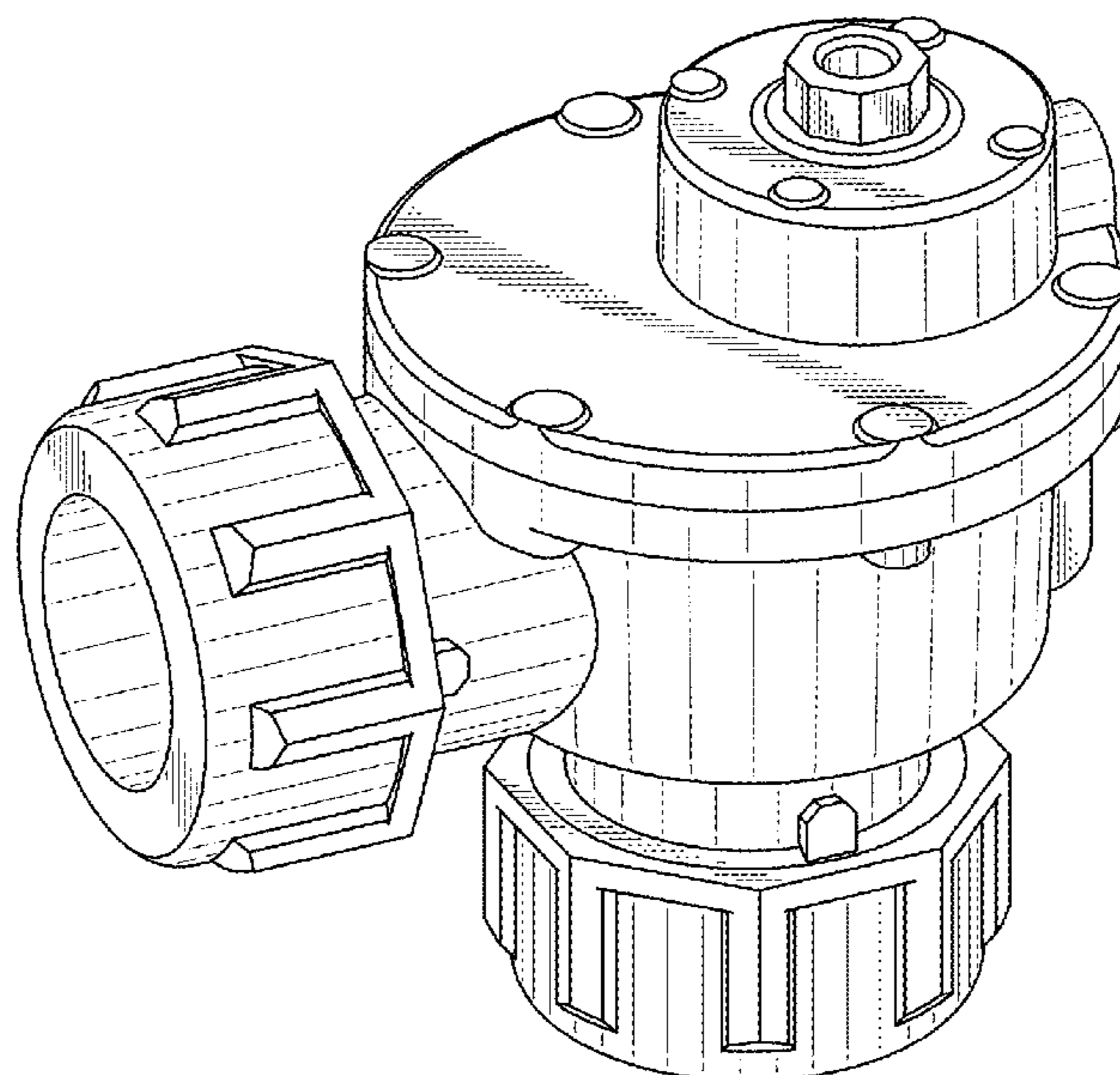


FIG. 1

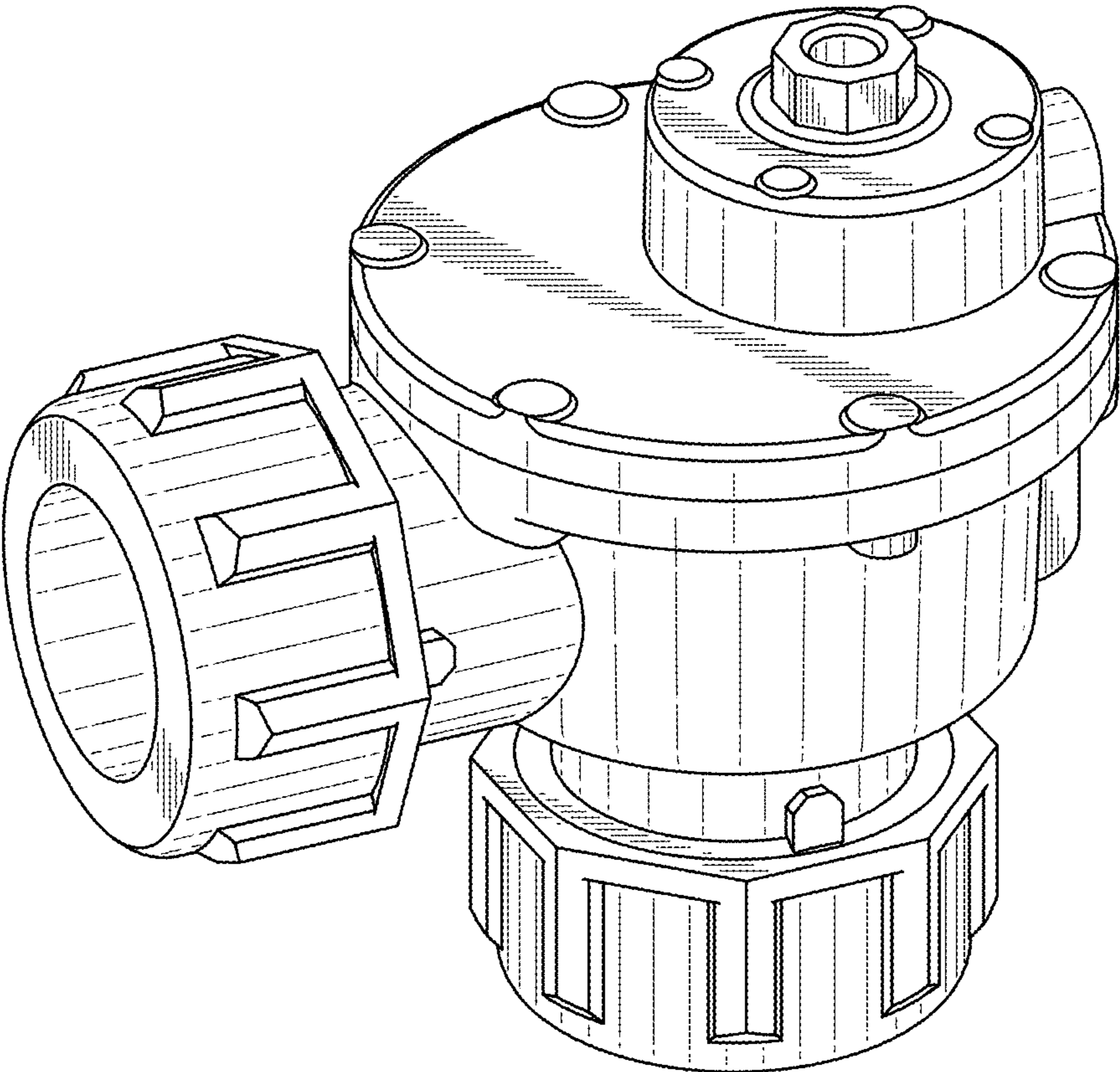


FIG. 2

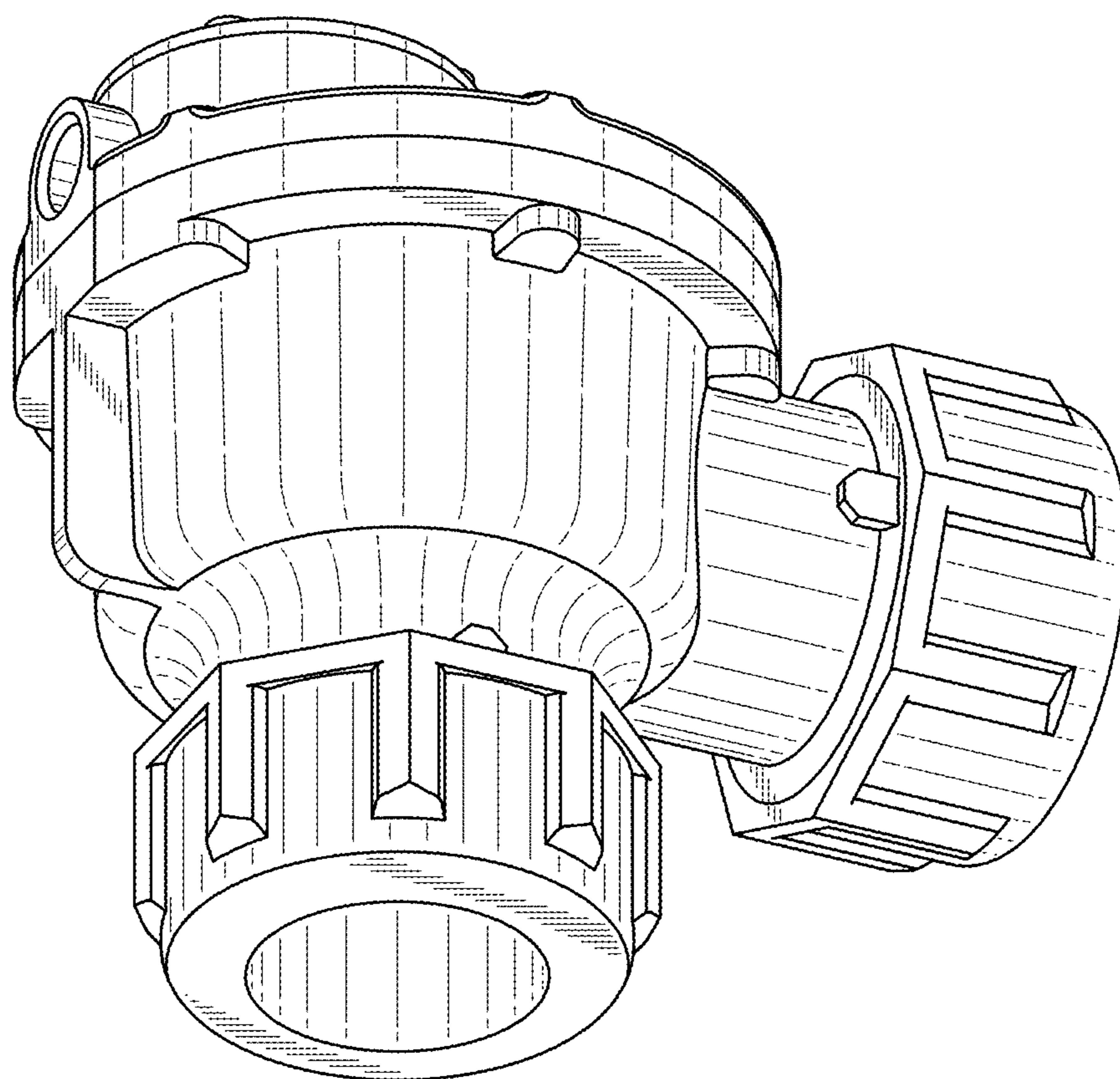


FIG. 3

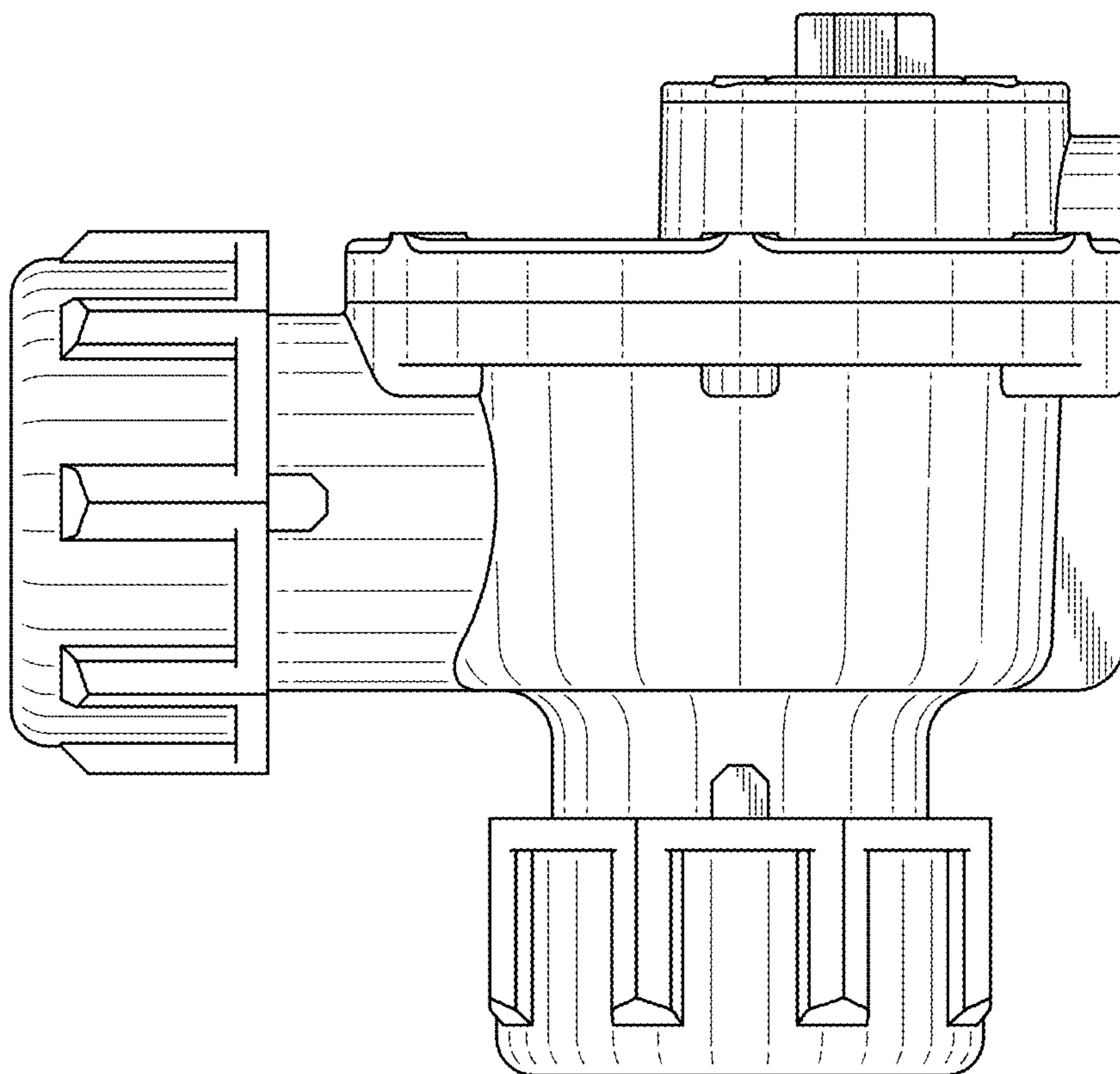


FIG. 4

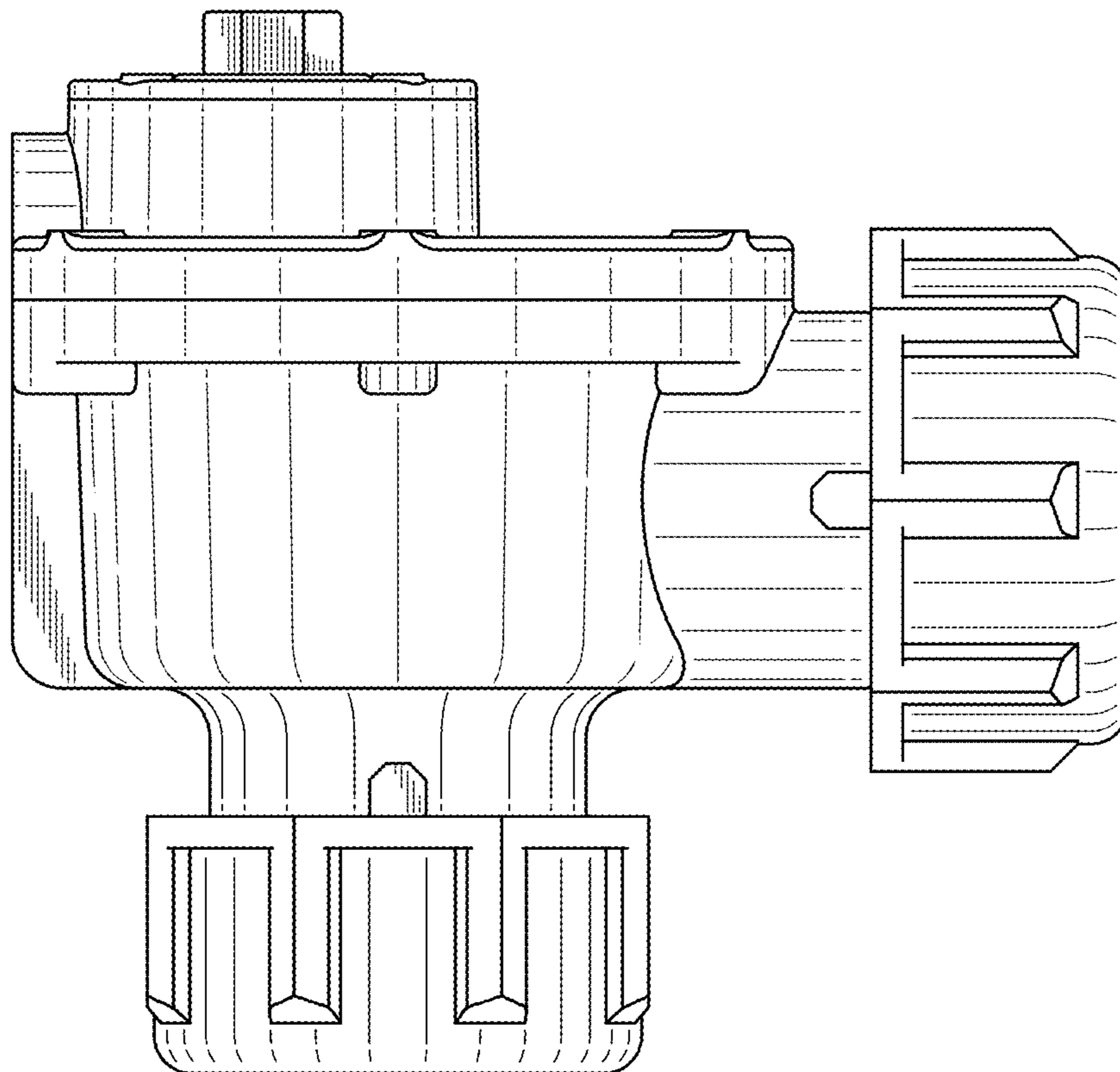


FIG. 5

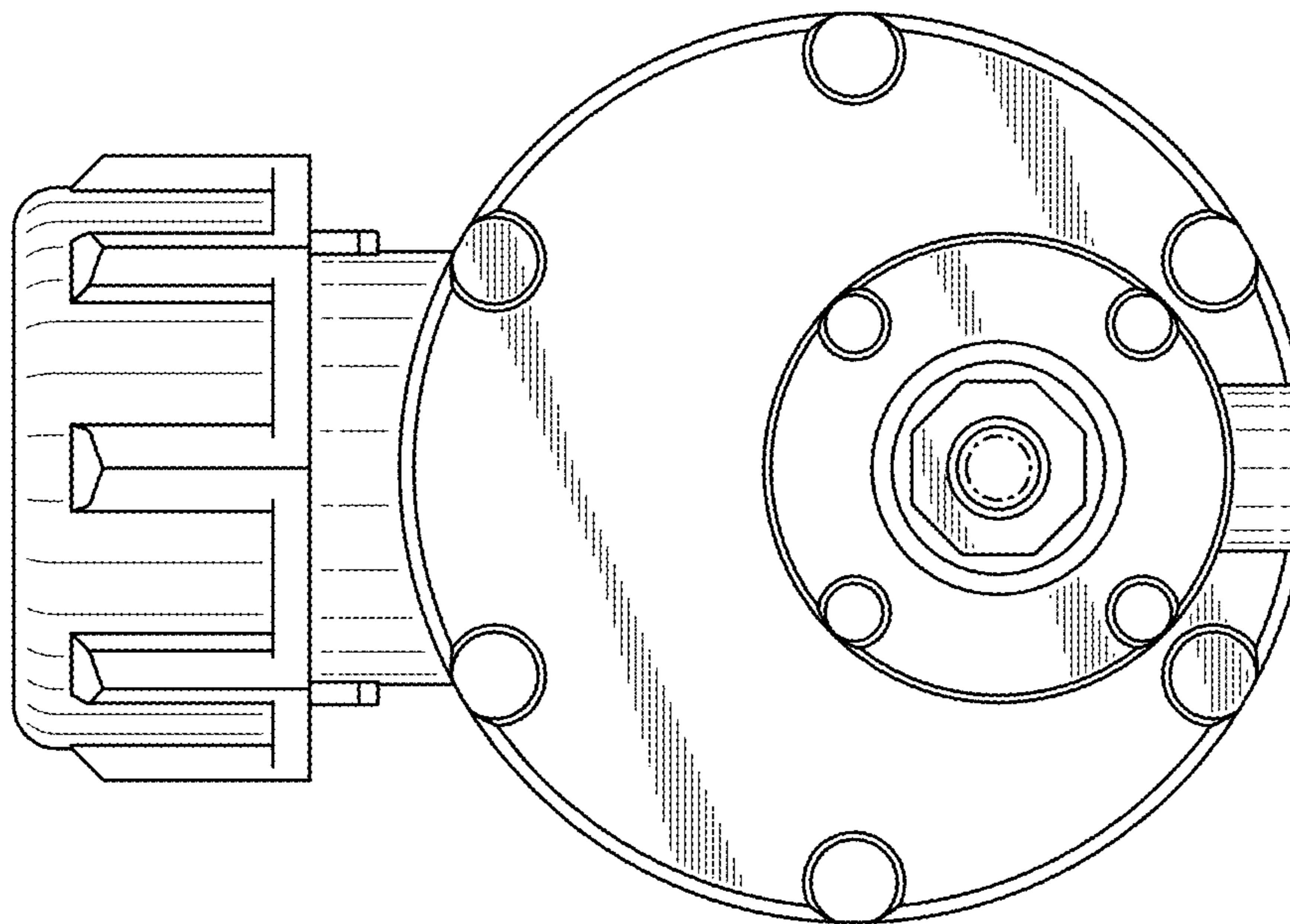


FIG. 6

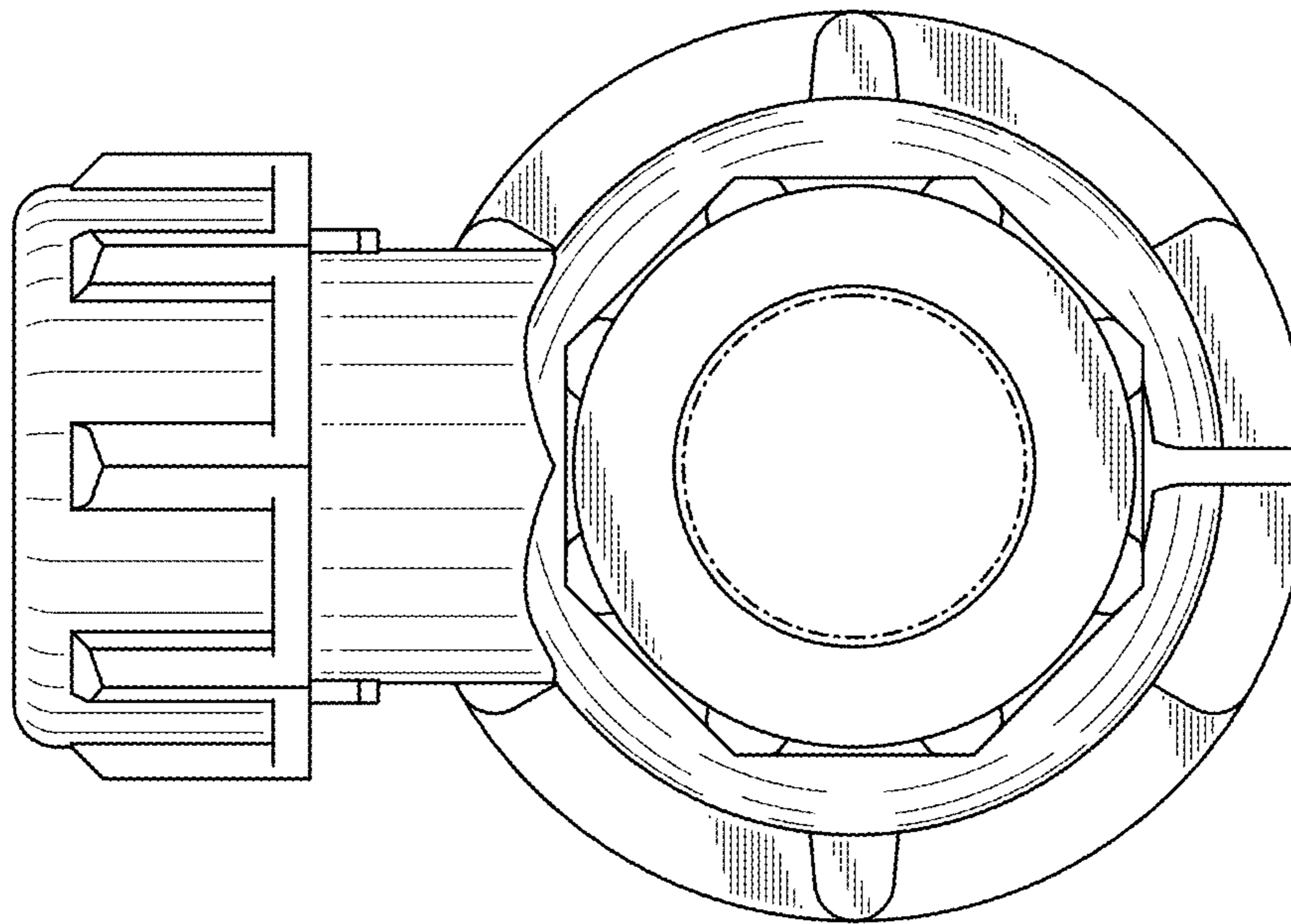


FIG. 7

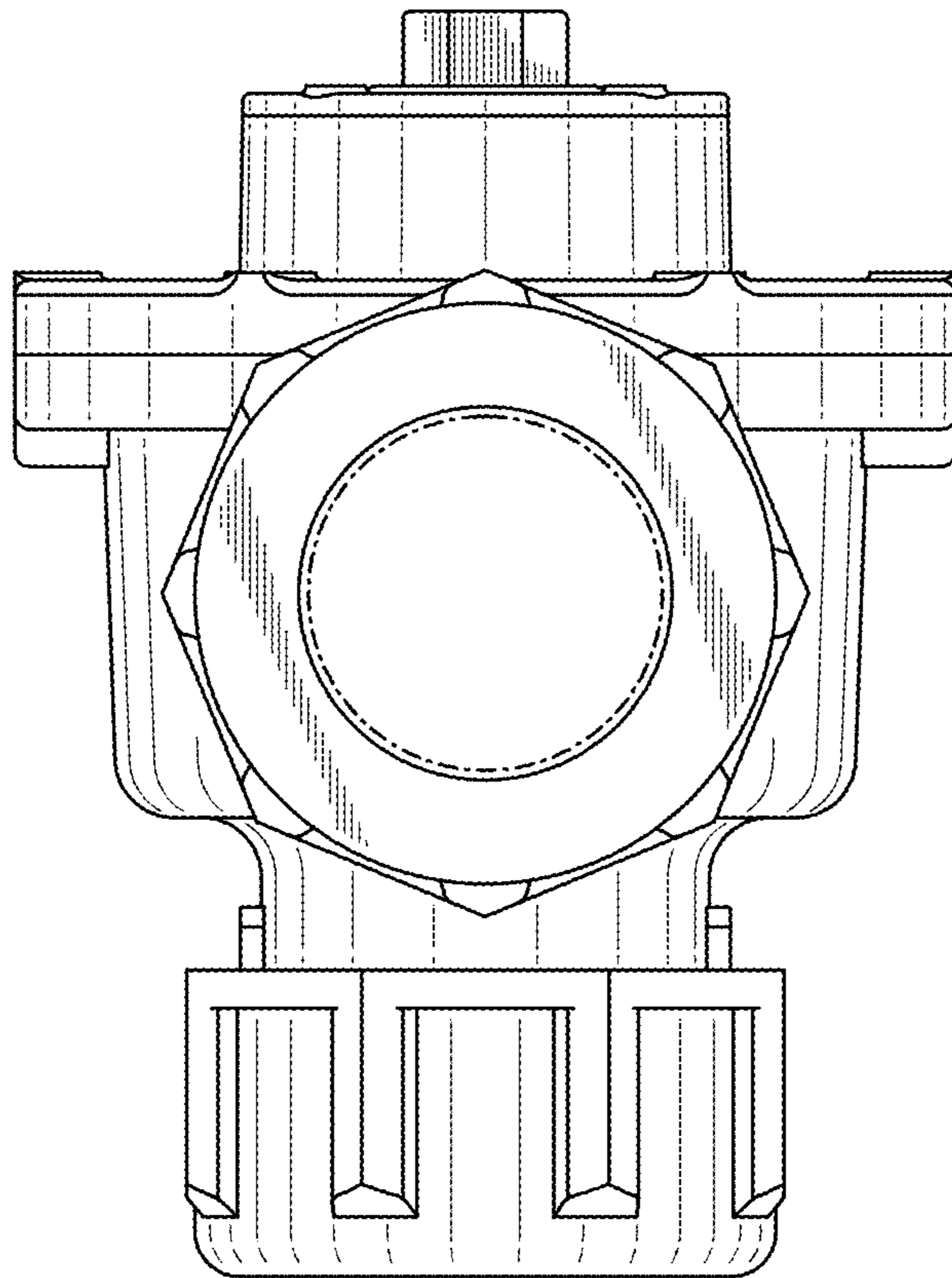


FIG. 8

