



US00D838809S

(12) **United States Design Patent**
Svendsen et al.

(10) **Patent No.:** **US D838,809 S**

(45) **Date of Patent:** **** Jan. 22, 2019**

(54) **NOZZLE**

(71) Applicant: **MELNOR, INC.**, Winchester, VA (US)

(72) Inventors: **Sean Wesley Svendsen**, Columbus, OH (US); **Donald Collins Meves**, Columbus, OH (US); **Eric James Fickas**, Plain City, OH (US)

(73) Assignee: **MELNOR, INC.**, Winchester, VA (US)

(**) Term: **15 Years**

(21) Appl. No.: **29/598,136**

(22) Filed: **Mar. 23, 2017**

(51) **LOC (11) Cl.** **23-01**

(52) **U.S. Cl.**
USPC **D23/223**

(58) **Field of Classification Search**
USPC D23/213, 223, 226; D8/2; 239/532
CPC B05B 15/061; B05B 1/00; B05B 5/00;
B05B 1/005; B05B 3/00; B05B 9/01;
B05B 7/1209
See application file for complete search history.

(56) **References Cited**

U.S. PATENT DOCUMENTS

D370,713 S * 6/1996 Guo D23/223
D373,813 S * 9/1996 Guo D23/223
D548,392 S * 8/2007 Lo D23/226
D557,767 S * 12/2007 Chih D23/226

D558,858 S * 1/2008 Chih D23/226
D559,353 S * 1/2008 Chih D23/226
D559,354 S * 1/2008 Chih D23/226
D746,945 S * 1/2016 Naslund D23/223
D746,946 S * 1/2016 Naslund D23/223
D767,091 S * 9/2016 Chen D23/223
D767,094 S * 9/2016 Chen D23/223
D768,817 S * 10/2016 Chen D23/223
D771,773 S * 11/2016 Chen D23/223
D779,035 S * 2/2017 Chen D23/223
D779,036 S * 2/2017 Chen D23/223

* cited by examiner

Primary Examiner — Robin V Webster

(74) *Attorney, Agent, or Firm* — Westerman, Hattori, Daniels & Adrian, LLP

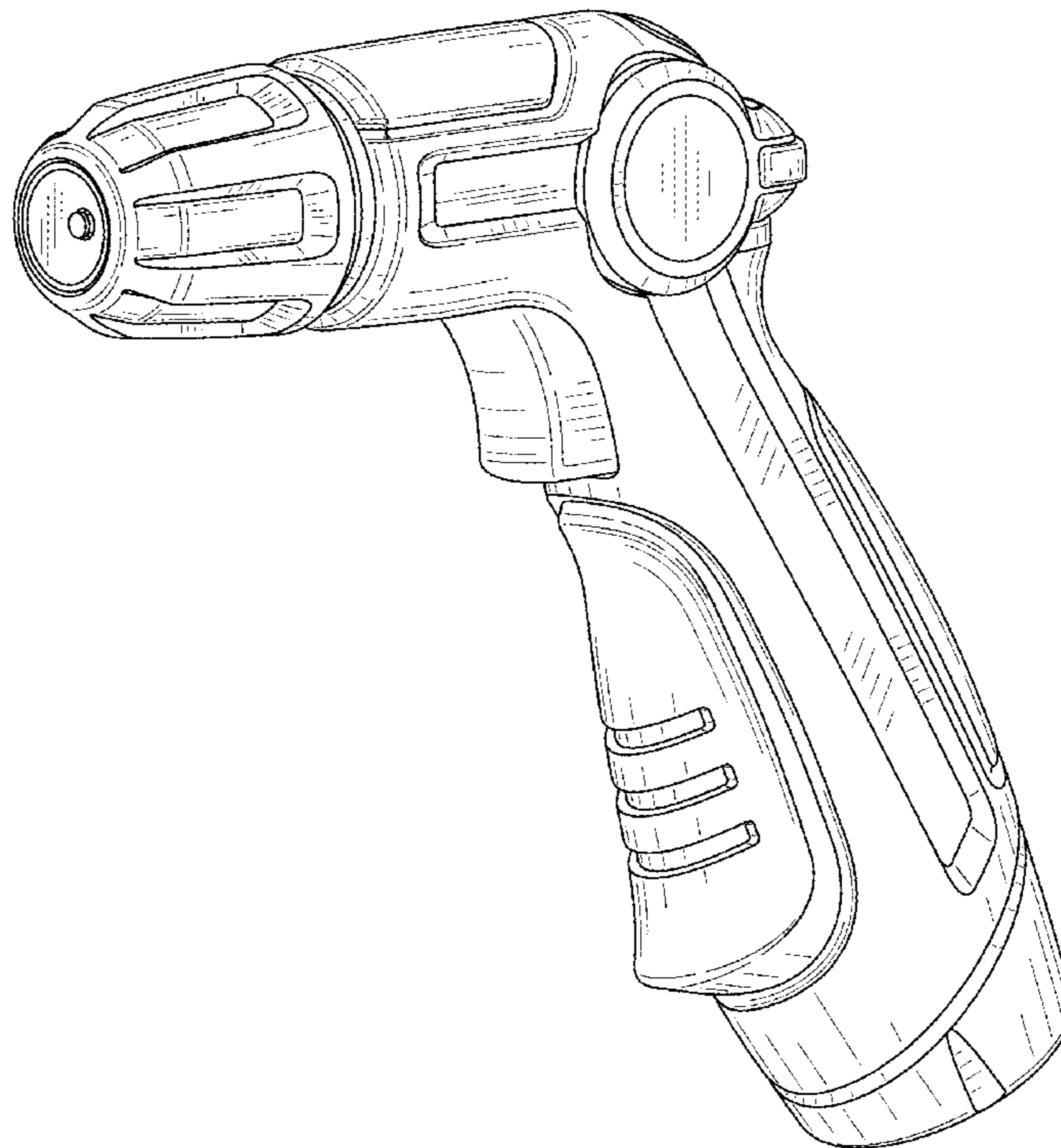
(57) **CLAIM**

The ornamental design for a nozzle, as shown and described.

DESCRIPTION

FIG. 1 is a rear perspective view of a nozzle, showing our new design;
FIG. 2 is a front elevational view thereof;
FIG. 3 is a rear elevational view thereof;
FIG. 4 is a right side elevational view thereof;
FIG. 5 is a left side elevational view thereof;
FIG. 6 is a top plan view thereof;
FIG. 7 is a bottom plan view thereof; and,
FIG. 8 is a front perspective view thereof.

1 Claim, 6 Drawing Sheets



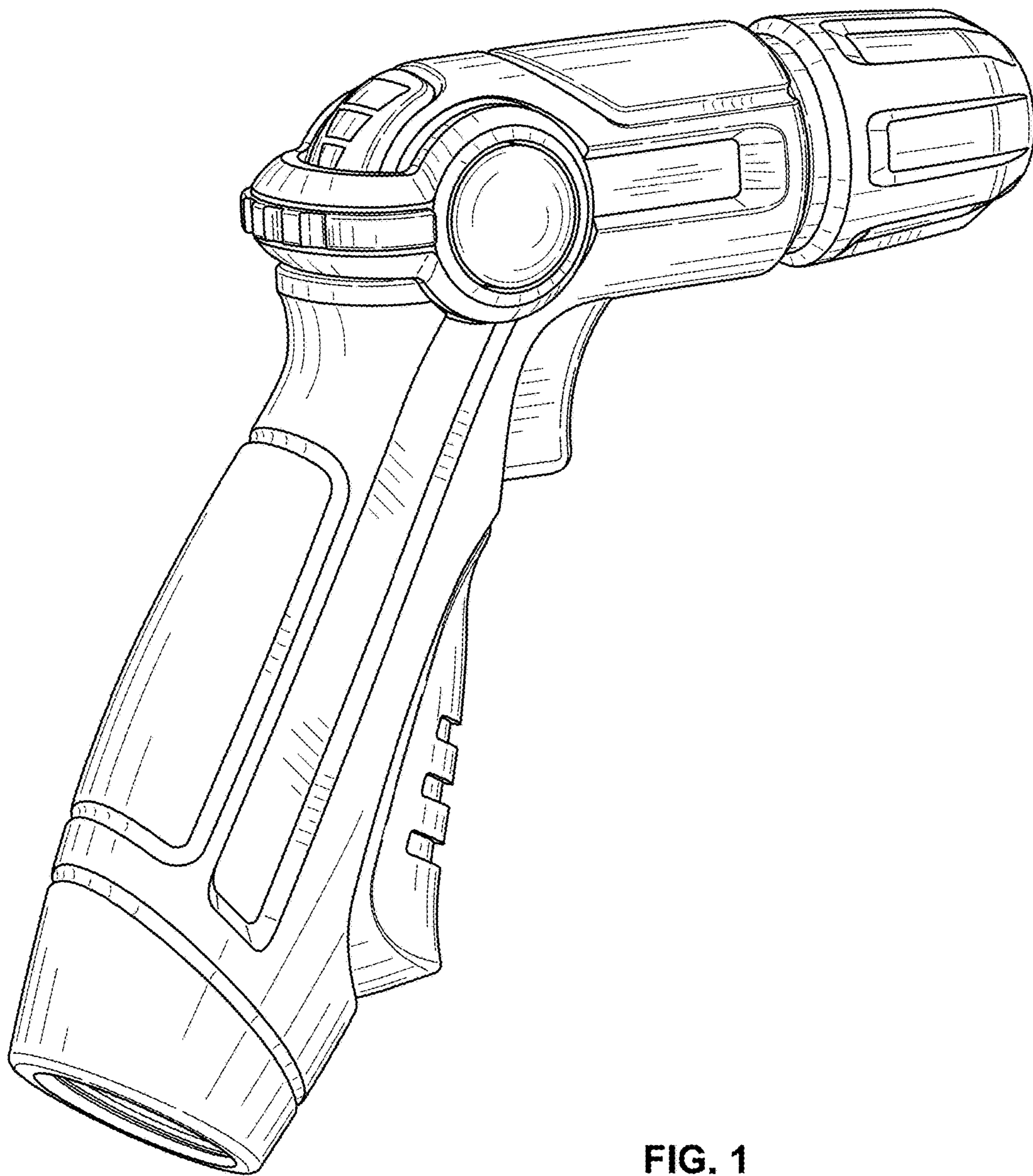


FIG. 1

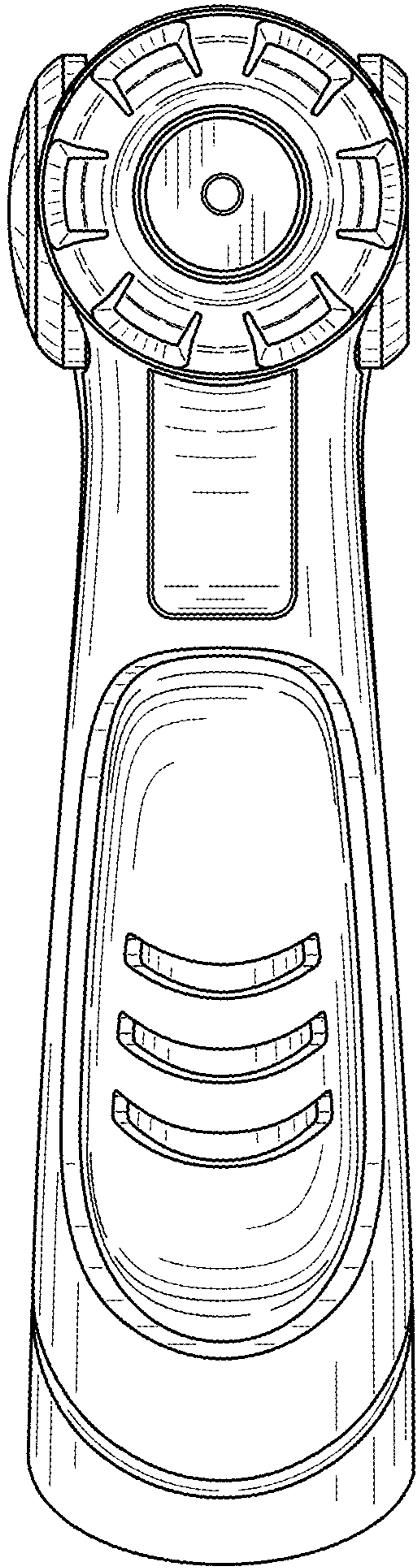


FIG. 2

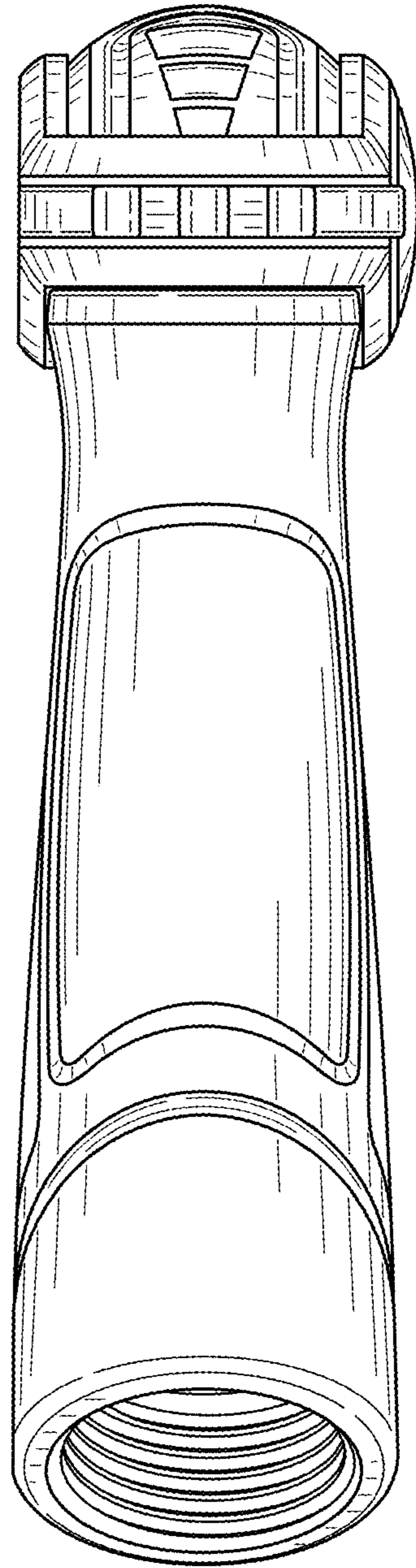


FIG. 3

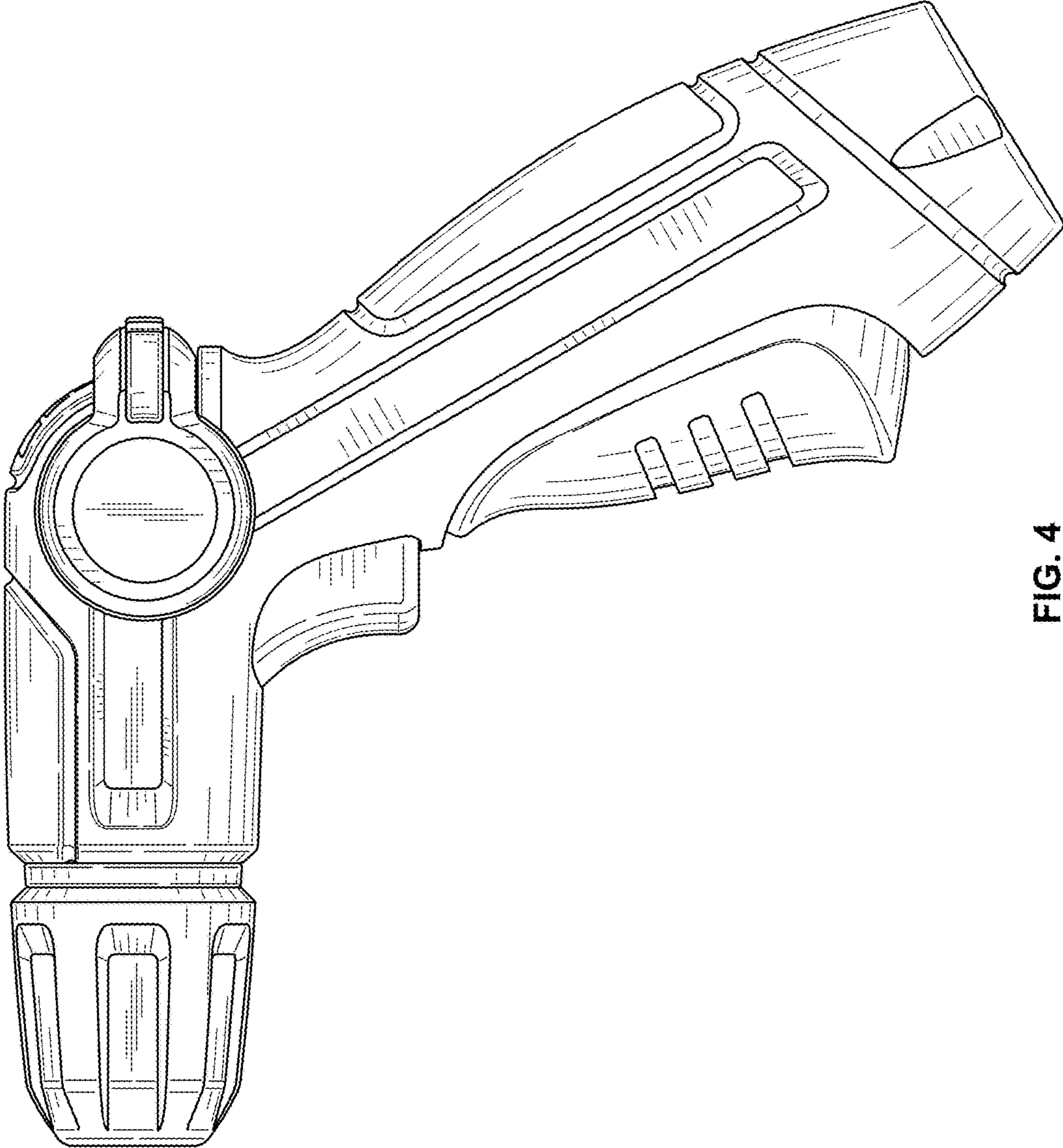


FIG. 4

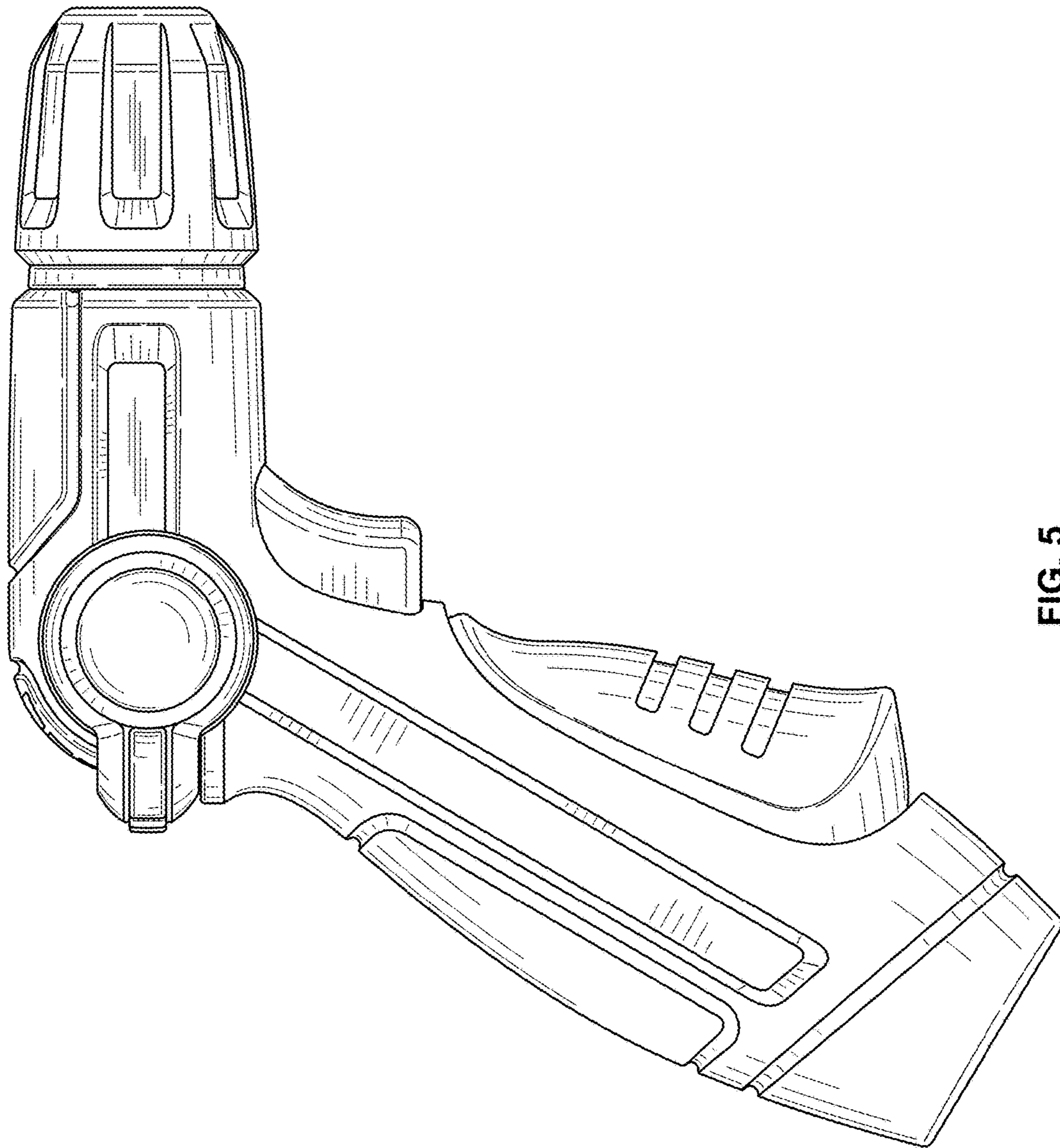


FIG. 5

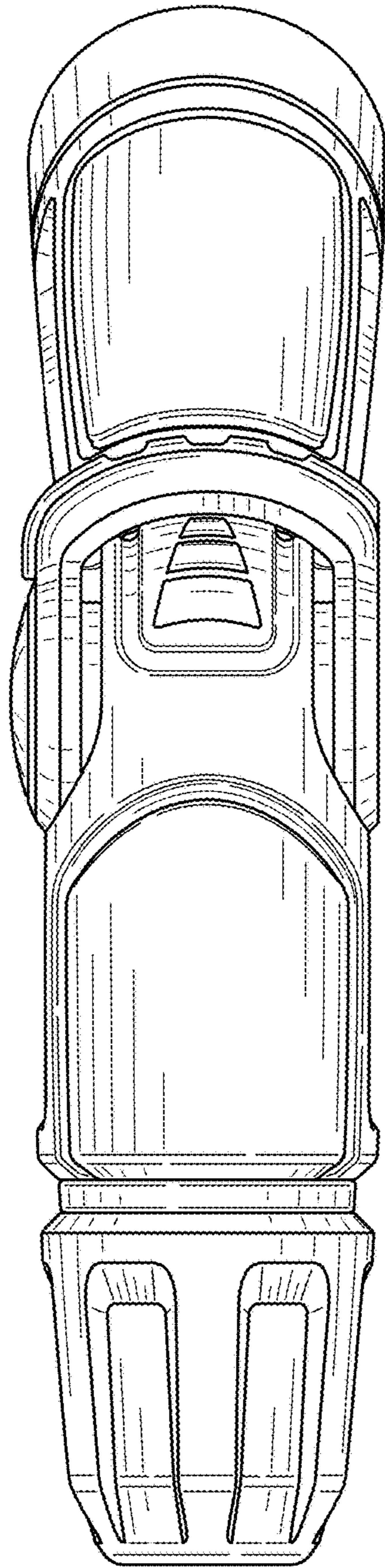


FIG. 6

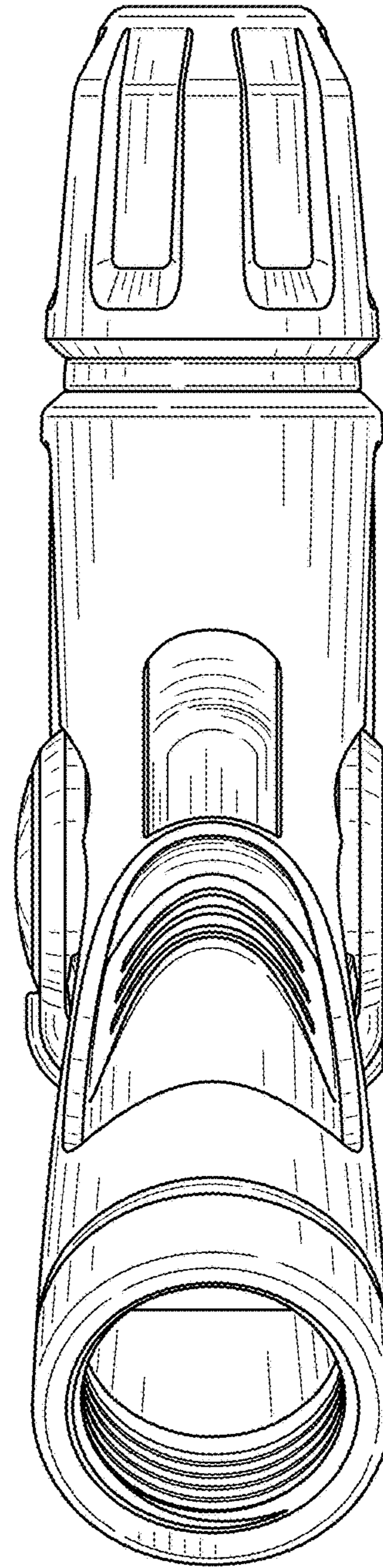


FIG. 7

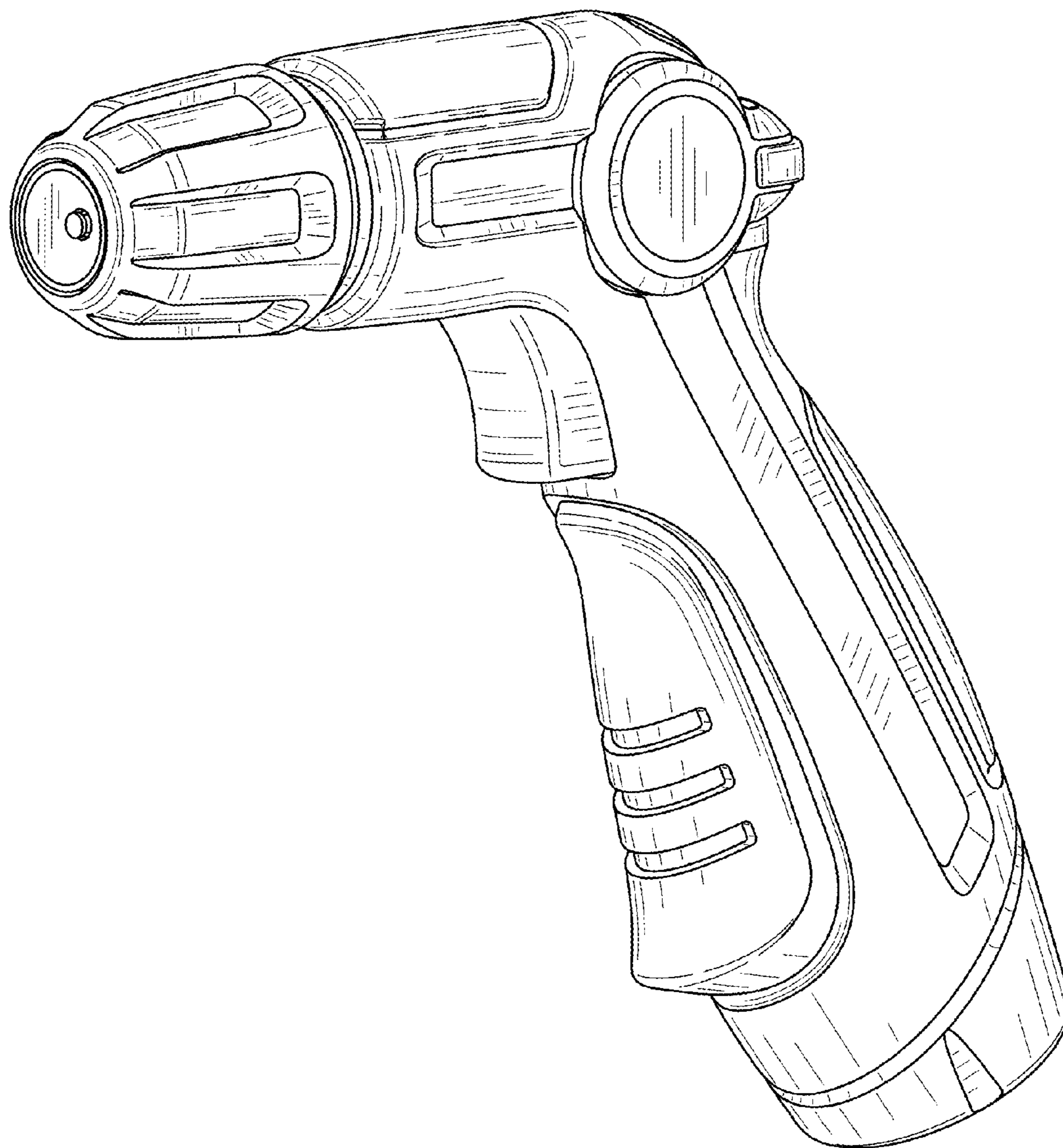


FIG. 8