



US00D838804S

(12) **United States Design Patent**  
**Hillman et al.**

(10) **Patent No.:** **US D838,804 S**

(45) **Date of Patent:** **\*\* Jan. 22, 2019**

(54) **REAR HANDGUN SIGHT**

(71) Applicant: **Devil Dog Concepts, LLC**, Vestal, NY (US)

(72) Inventors: **Camaron Randolph Hillman**, Vestal, NY (US); **Robert John Charpinsky, Jr.**, Binghamton, NY (US)

(73) Assignee: **Devil Dog Concepts, LLC**, Binghamton, NY (US)

(\*\*) Term: **15 Years**

(21) Appl. No.: **29/607,580**

(22) Filed: **Jun. 14, 2017**

(51) **LOC (11) Cl.** ..... **22-01**

(52) **U.S. Cl.**  
USPC ..... **D22/109**

(58) **Field of Classification Search**  
USPC ..... D22/104–105, 107–110, 199;  
D21/571–575

CPC ..... F41G 1/00; F41G 1/06; F41G 1/10; F41G 1/16; F41G 11/003

See application file for complete search history.

(56) **References Cited**

**U.S. PATENT DOCUMENTS**

D403,734 S *	1/1999	Kay	.....	D22/108
D435,625 S *	12/2000	Ling, Jr.	.....	D22/100
D447,205 S *	8/2001	Keng	.....	D22/100
D492,747 S *	7/2004	LoRocco	.....	D22/109
D515,170 S *	2/2006	Price	.....	D22/109
D527,068 S *	8/2006	Warren	.....	D22/109

(Continued)

**FOREIGN PATENT DOCUMENTS**

CA 2753059 A1 \* 6/2012 ..... F41G 1/02

**OTHER PUBLICATIONS**

Charps: Glock Combative Handgunning Sight Set, posted at Devil Dog Concepts, posting date Sep. 3, 2018. [Site visited Nov. 3, 2018] URL: <<https://devildogconcepts.com/products/charps>> (Year: 2018).\*

(Continued)

*Primary Examiner* — Kevin K Rudzinski

*Assistant Examiner* — Kathleen L Jones

(74) *Attorney, Agent, or Firm* — Eric B. Fugett; Mark A. Pitchford; Pitchford Fugett, PLLC

(57) **CLAIM**

What is claimed is the ornamental design for a rear handgun sight, as shown and described.

**DESCRIPTION**

FIG. 1 is a front perspective view of a rear handgun sight showing our new design.

FIG. 2 is another front perspective view of the rear handgun sight of FIG. 1.

FIG. 3 is a rear perspective view of the rear handgun sight of FIG. 1.

FIG. 4 is another front perspective view of the rear handgun sight of FIG. 1 showing the bottom of the rear handgun sight.

FIG. 5 is a top plan view of the rear handgun sight of FIG. 1.

FIG. 6 is a front elevational view of the rear handgun sight of FIG. 1.

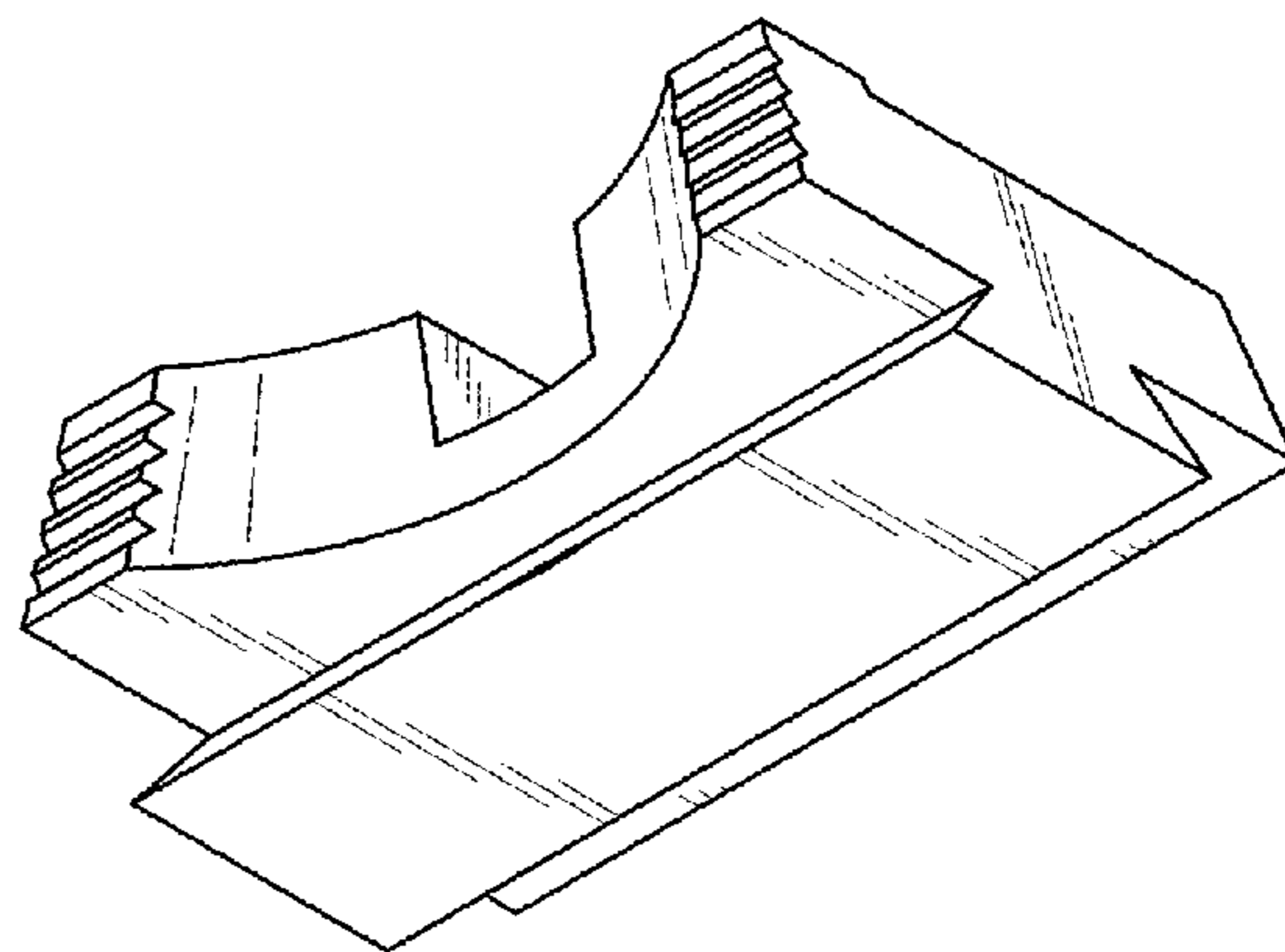
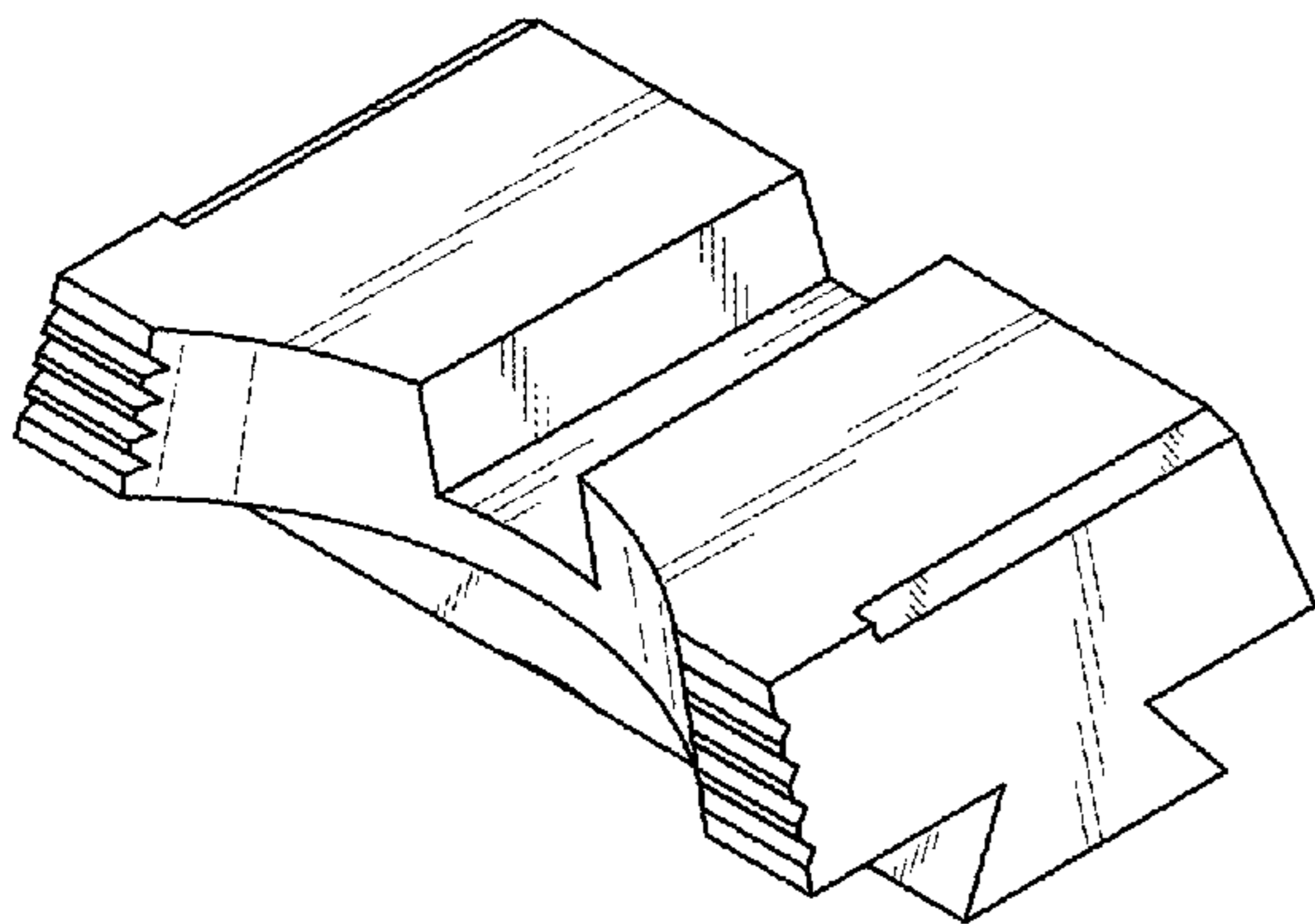
FIG. 7 is a left side elevational view of the rear handgun sight of FIG. 1, the right side being a mirror image thereof.

FIG. 8 is a bottom plan view of the rear handgun sight of FIG. 1.

FIG. 9 is a rear elevational view of the rear handgun sight of FIG. 1; and,

FIG. 10 is another front perspective view of the rear handgun sight of FIG. 1 shown with environmental structure in broken lines forming no part of the claimed design.

**1 Claim, 3 Drawing Sheets**



(56)

**References Cited**

## U.S. PATENT DOCUMENTS

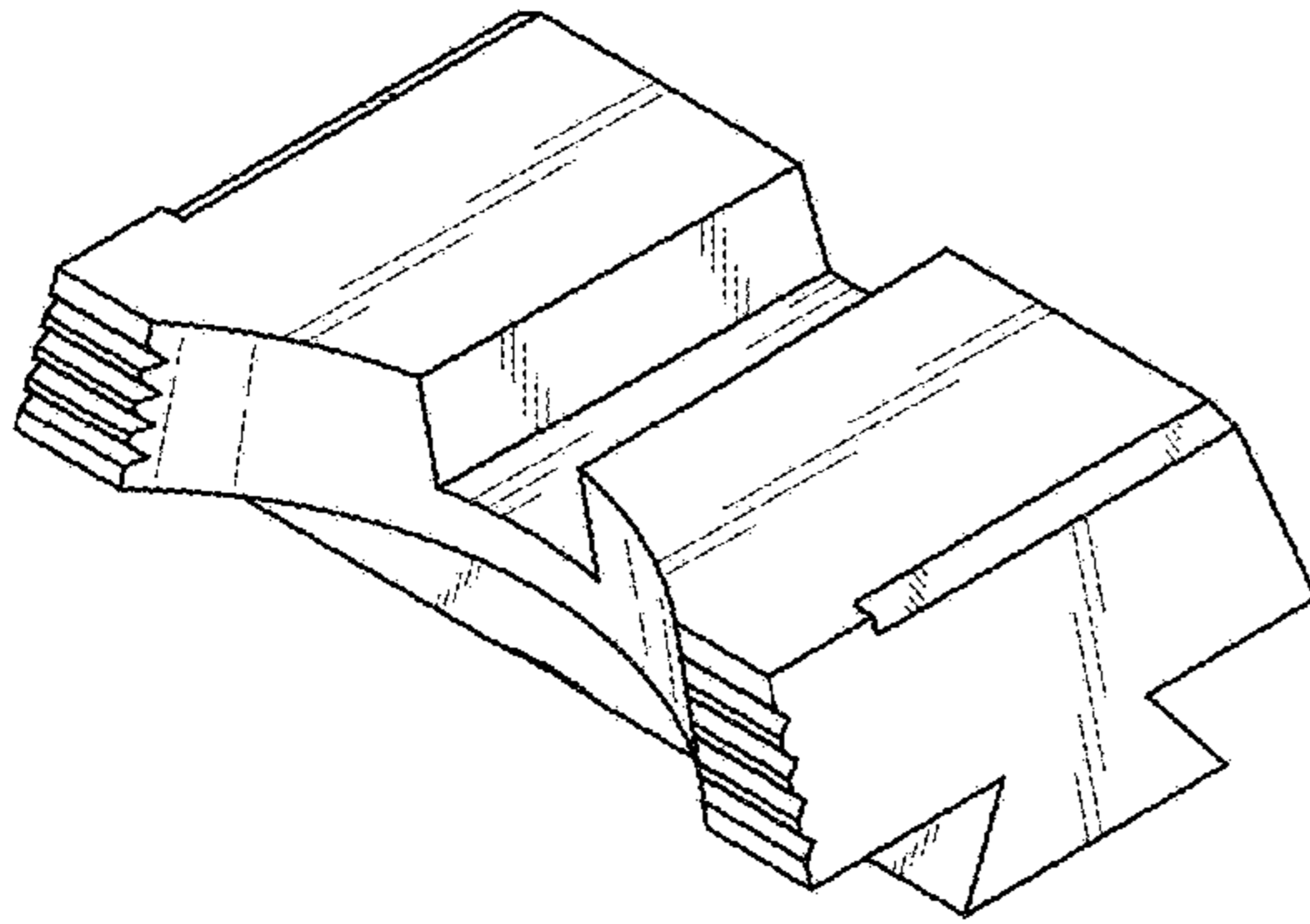
D611,113	S *	3/2010	Kay	.....	D22/109
D638,902	S *	5/2011	Emde	.....	D22/109
D663,375	S *	7/2012	Glimpse	.....	D22/109
D667,522	S *	9/2012	Glimpse	.....	D22/109
D669,554	S *	10/2012	Warren	.....	D22/109
D716,410	S *	10/2014	Wallgren	.....	D22/109
D739,913	S *	9/2015	Nevils	.....	D22/109
D760,863	S *	7/2016	Wallgren	.....	D22/109
D769,397	S *	10/2016	Lam	.....	D22/108
D788,251	S *	5/2017	Sylvester	.....	D22/108
D797,233	S *	9/2017	Howlett	.....	D22/110
10,006,740	B1 *	6/2018	Keller	.....	F41G 1/01
2011/0088306	A1 *	4/2011	Nasef	.....	H02G 3/0493
					42/136
2011/0107650	A1 *	5/2011	Howe	.....	F41G 1/10
					42/132
2011/0314721	A1 *	12/2011	Lamb	.....	F41G 1/10
					42/145
2013/0255129	A1 *	10/2013	Curry	.....	F41G 1/00
					42/144
2017/0138696	A1 *	5/2017	Williams	.....	F41G 1/10
2018/0087871	A1 *	3/2018	Toner	.....	F41G 1/16

## OTHER PUBLICATIONS

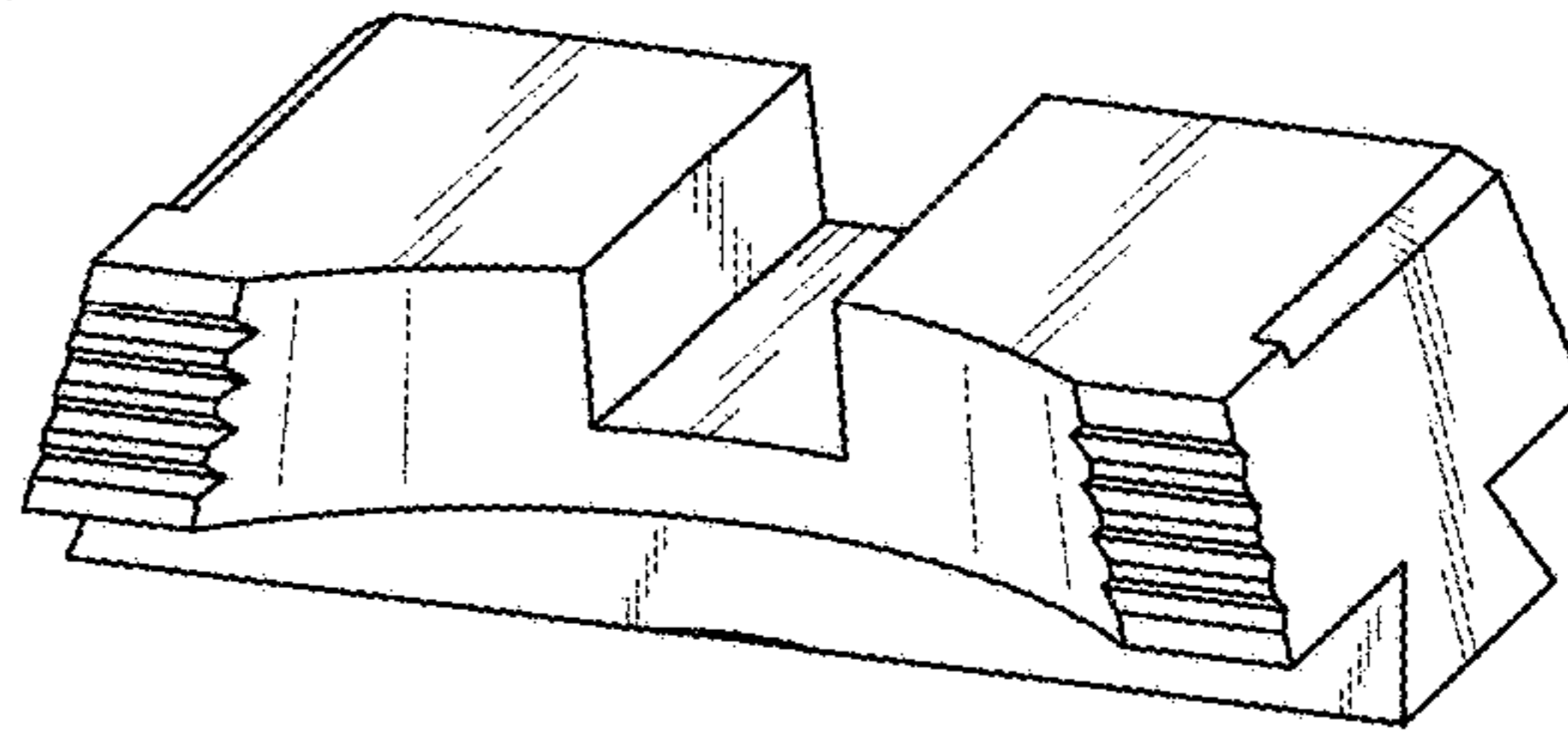
1911 Sight Set, posted at Amazon, review posted Mar. 1, 2016. [Site visited Nov. 3, 2018] URL: <<https://www.amazon.com/1911-Sight-Set-Tritium-Front/dp/B00ZSIGTVI>> (Year: 2016).\*

Vickers Elite Battlesight for H&K, posted at Wilson Combat, posting date not available. [Site visited Nov. 3, 2018] URL: <<https://shopwilsoncombat.com/Vickers-Elite-Battlesight-for-HK-Black-Serrated/productinfo/699HKB/>>.\*

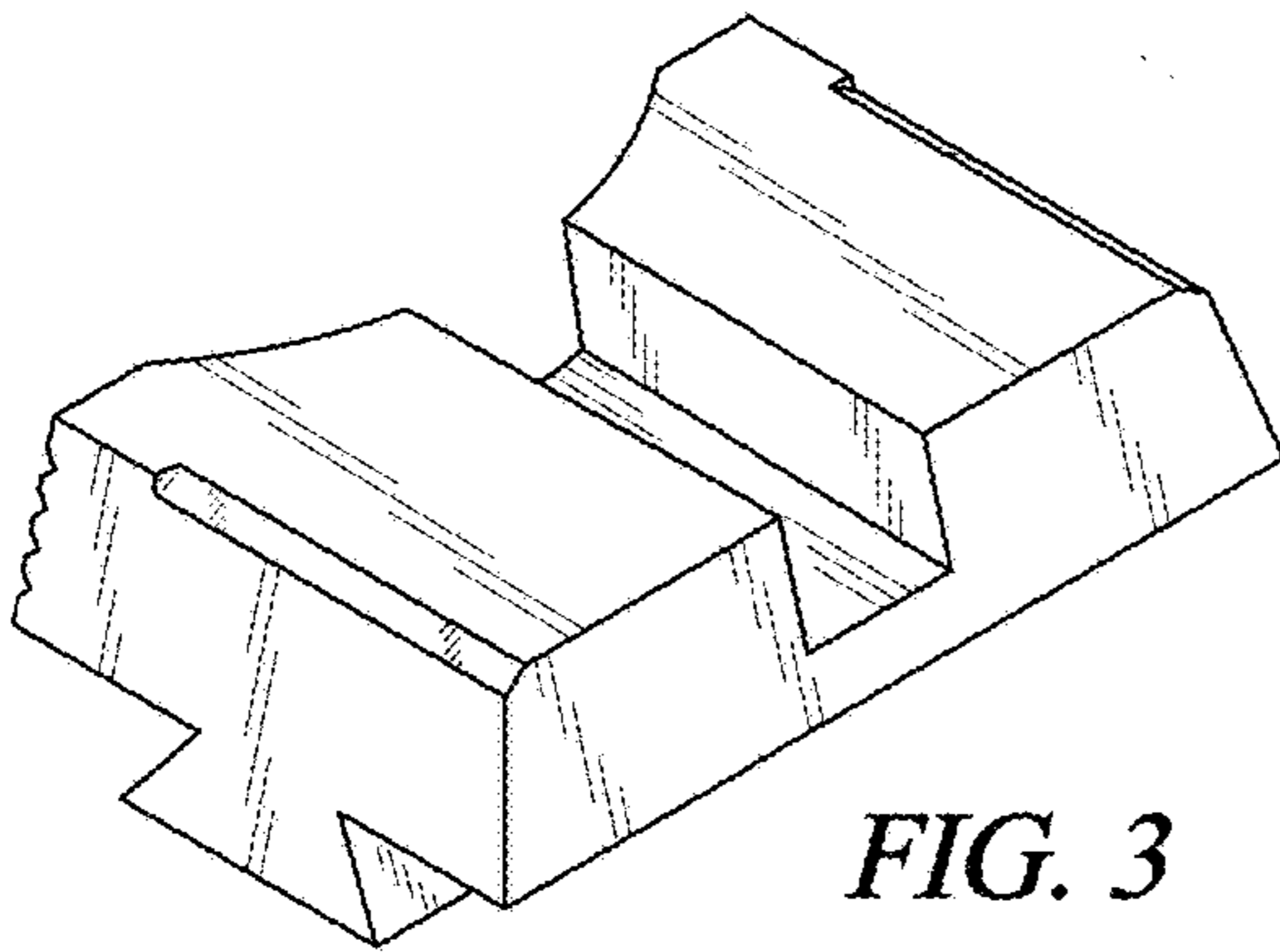
\* cited by examiner



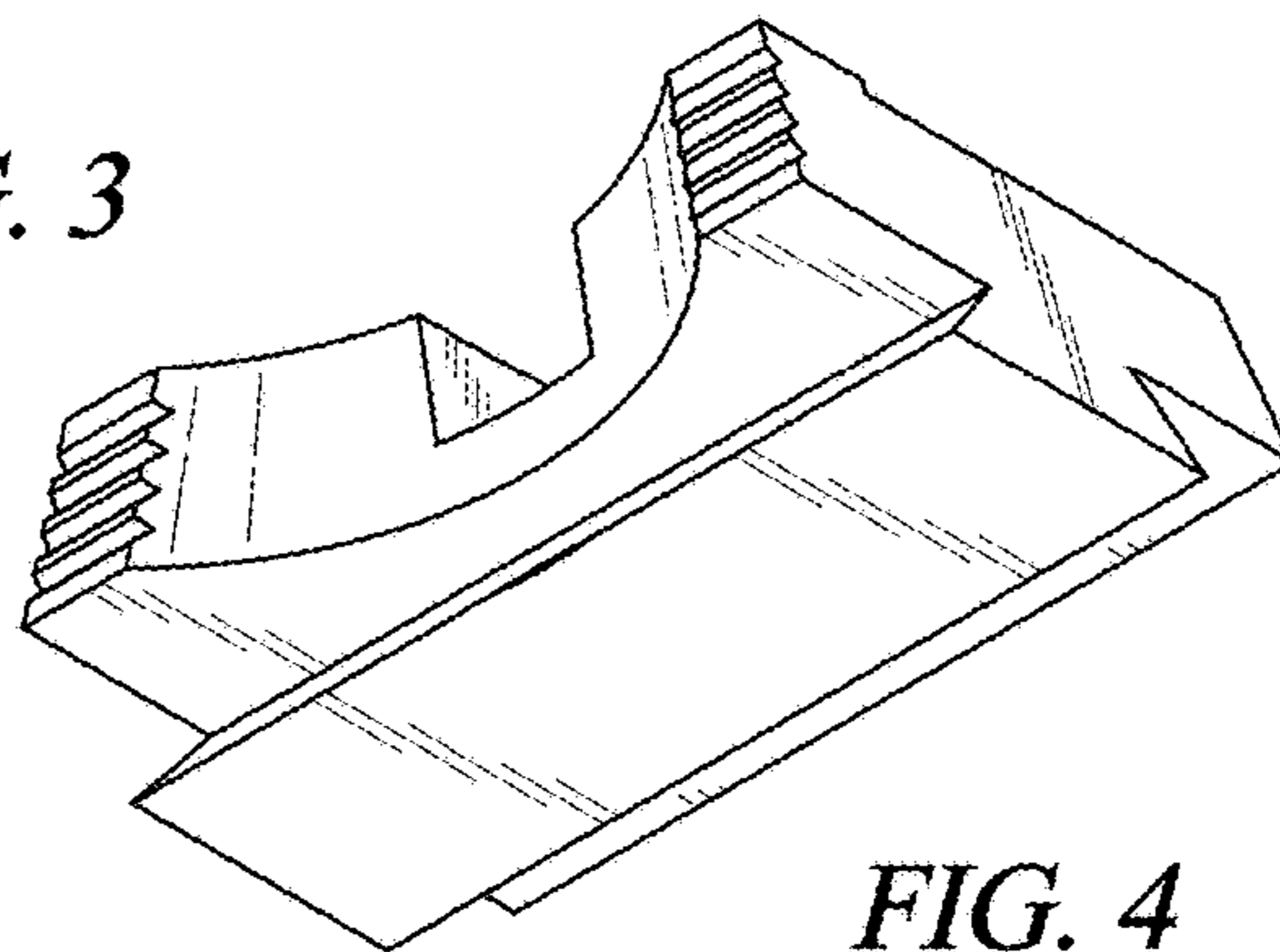
*FIG. 1*



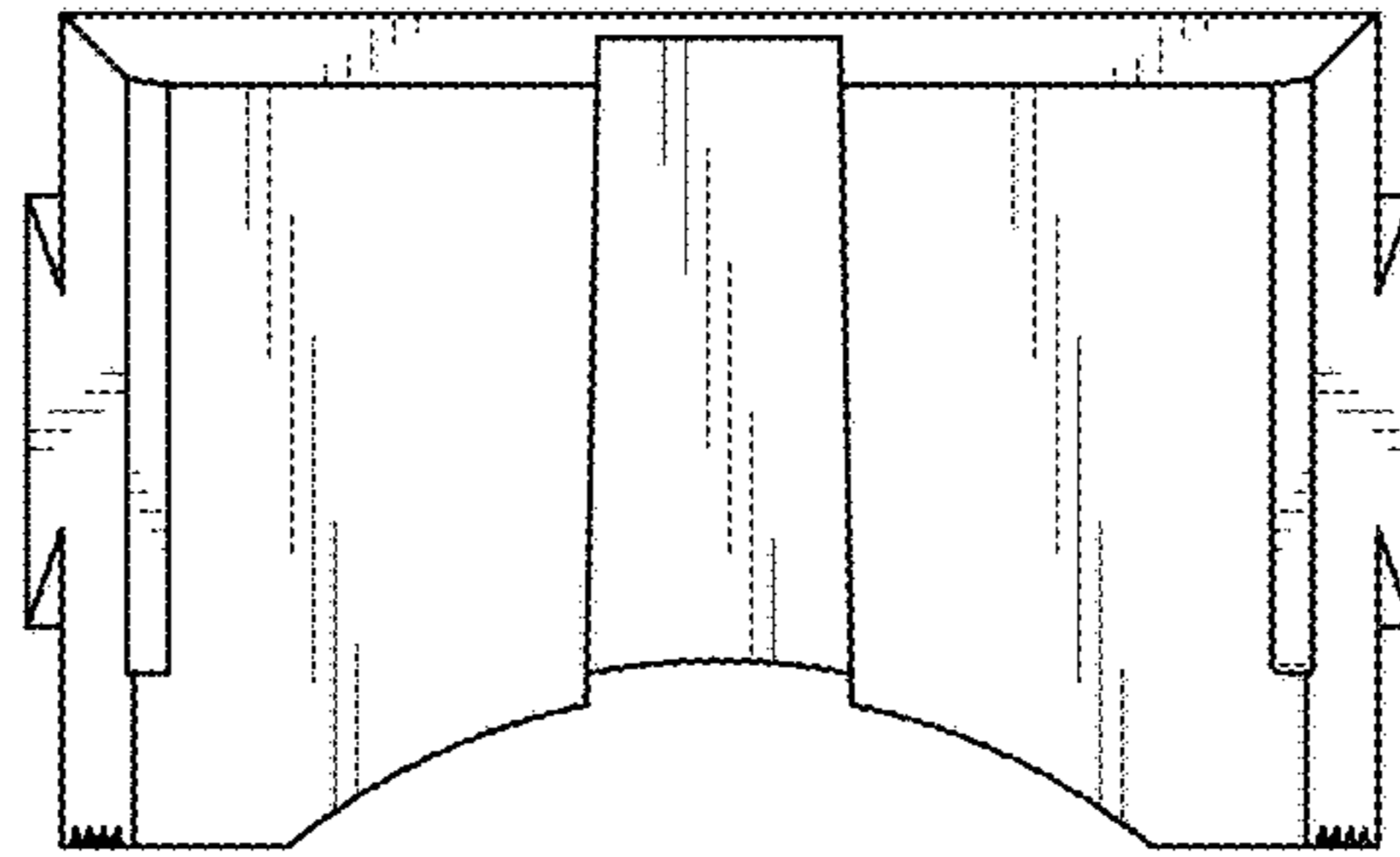
*FIG. 2*



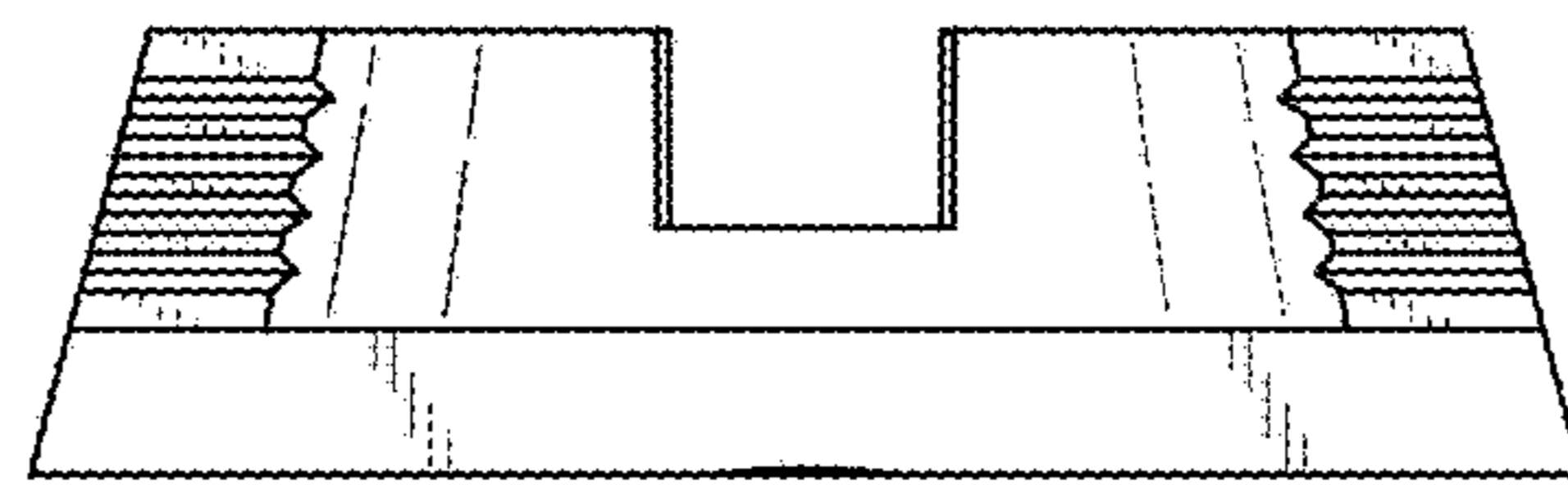
*FIG. 3*



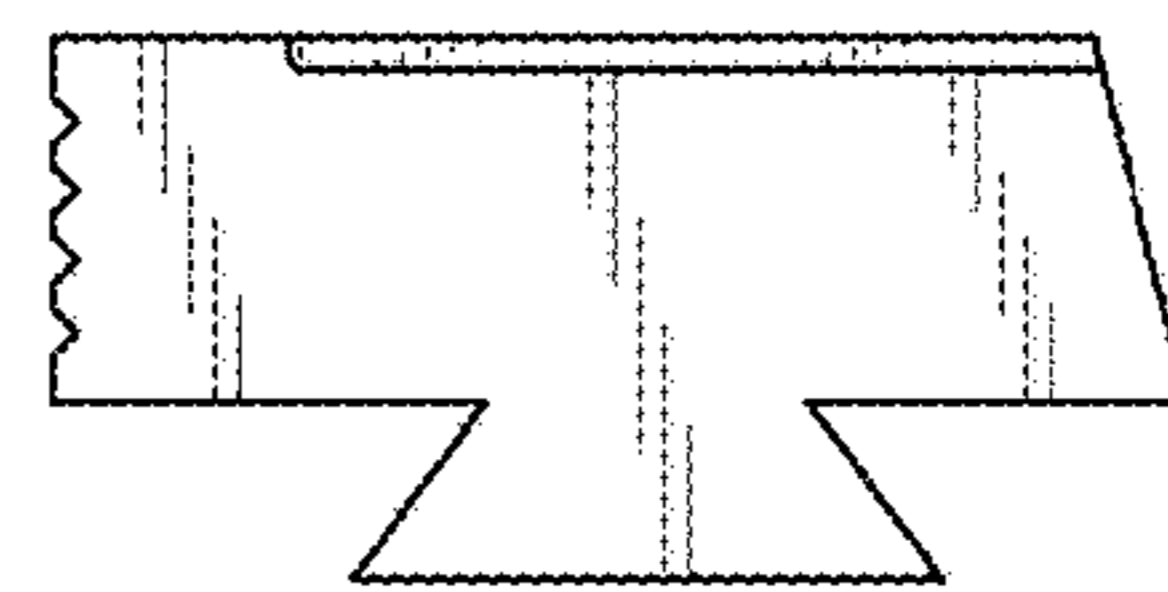
*FIG. 4*



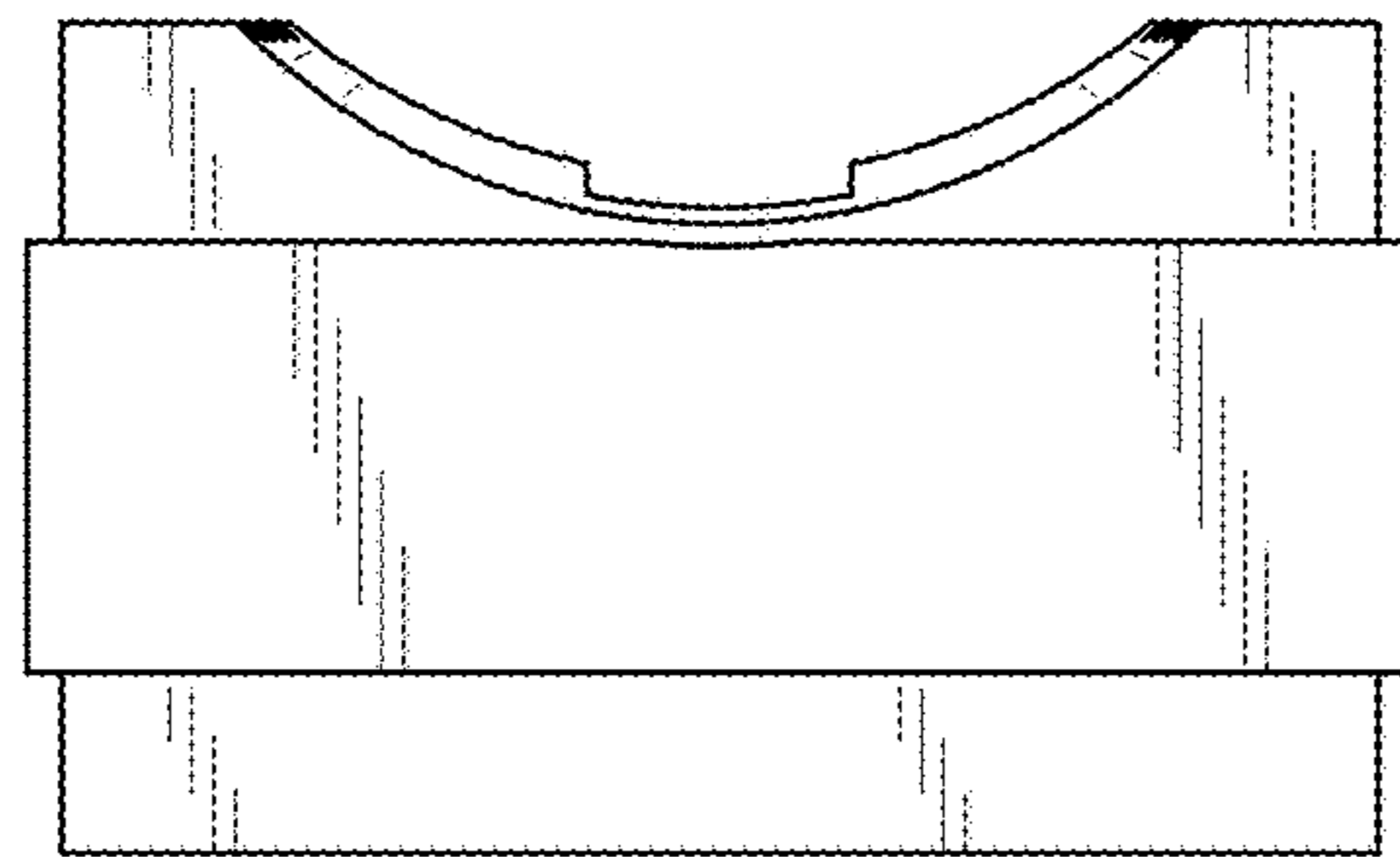
*FIG. 5*



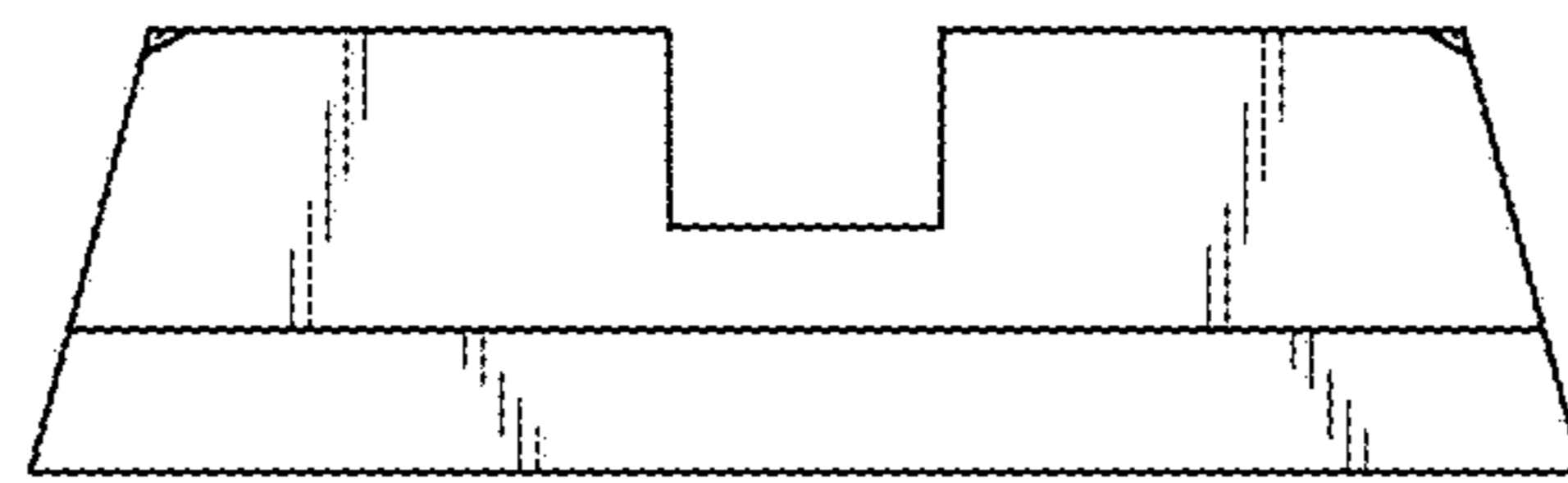
*FIG. 6*



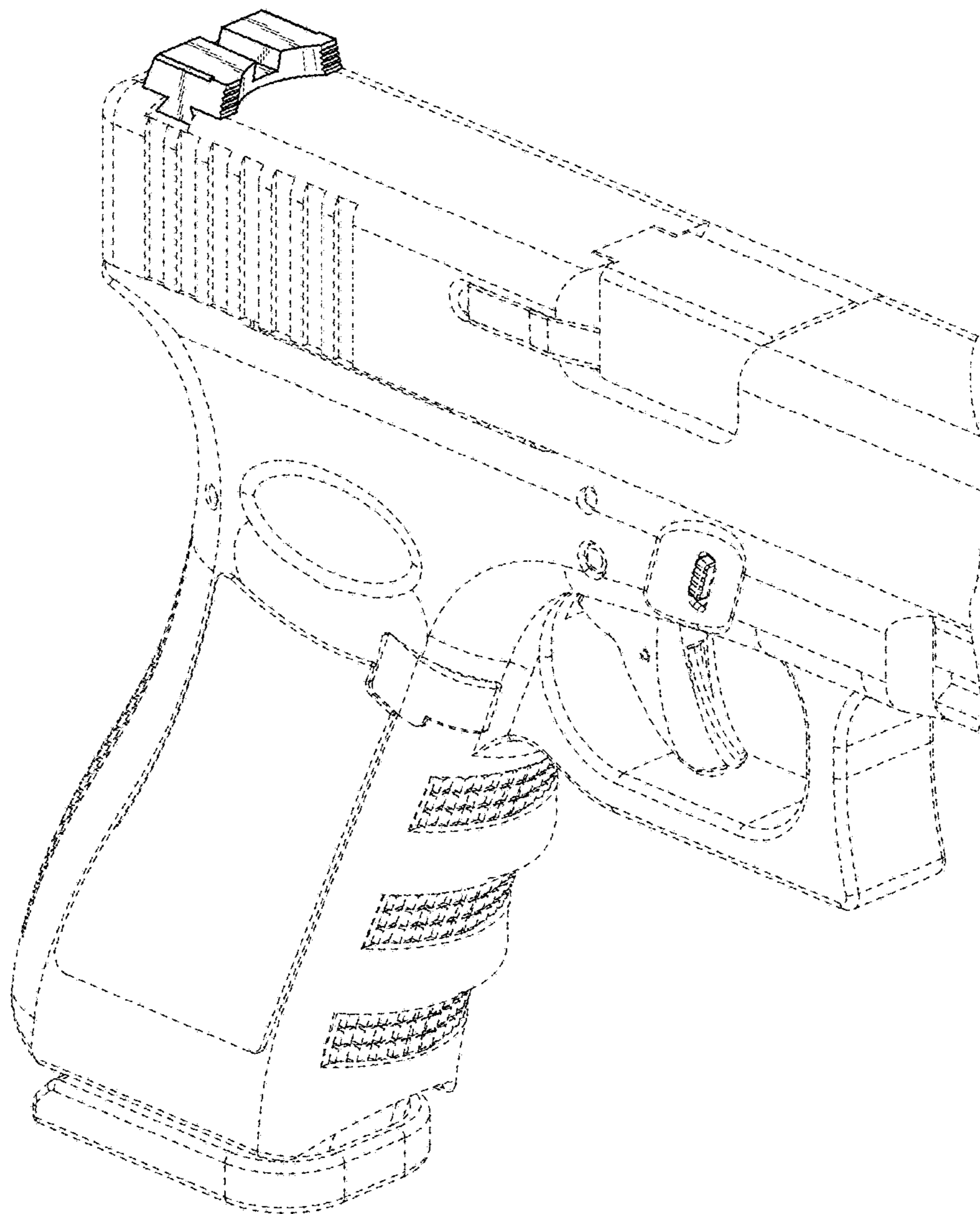
*FIG. 7*



*FIG. 8*



*FIG. 9*



*FIG. 10*