



US00D838803S

(12) **United States Design Patent**
Washburn, III et al.

(10) **Patent No.:** **US D838,803 S**
(45) **Date of Patent:** **** Jan. 22, 2019**

(54) **ENDCAP WITH RAIL**

(71) Applicant: **Centre Firearms Co., Inc.**, Ridgewood, NY (US)

(72) Inventors: **Richard Ryder Washburn, III**, Ridgewood, NY (US); **Michael Berkepile**, Ridgewood, NY (US)

(73) Assignee: **CENTRE FIREARMS CO., INC.**, Ridgewood, NY (US)

(**) Term: **15 Years**

(21) Appl. No.: **29/640,231**

(22) Filed: **Mar. 13, 2018**

(51) **LOC (11) Cl.** **22-01**

(52) **U.S. Cl.**
USPC **D22/108**

(58) **Field of Classification Search**
USPC D22/104–105, 107–110, 199;
D21/571–575
CPC F41C 23/00; F41C 23/14; F41C 23/20;
F41C 23/22

See application file for complete search history.

(56) **References Cited**

U.S. PATENT DOCUMENTS

D510,401 S *	10/2005	Murello	D22/103
D607,079 S *	12/2009	Moody	D22/109
D636,044 S *	4/2011	Larson	D22/108
D639,892 S *	6/2011	Hendricks	D22/109
D661,366 S *	6/2012	Zusman	F41C 23/04
				D22/108
D712,998 S *	9/2014	Gomez	D22/108
D760,858 S *	7/2016	Formanes	D22/108
9,696,112 B2 *	7/2017	Gottzmann	F41G 11/003
2017/0191792 A1 *	7/2017	Holmes	F41C 23/14
2018/0073835 A1 *	3/2018	Saltzman	F41C 23/08

OTHER PUBLICATIONS

HK 94/MP5A3 Pistol/Stock End Cap for sale, posted at GunsAmerica, posting date not available. [Site visited Oct. 24, 2018] URL:

<<https://www.gunsamerica.com/959615743/HK-94-MP5A3-Pistol-Stock-End-Cap.htm>>.*

GSG-5 GSG-5P GSG-5PK Compatible End Cap, posted at desertcart, review posted Feb. 25, 2011. [Site visited Oct. 24, 2018] URL: <<https://www.desertcart.ae/products/2636472-gsg-5-gsg-5p-gsg-5pk-compatible-end-cap>> (Year: 2011).*

ACE Adapter for HK MP5 and HK93, posted at HKParts.net, posting date not available. [Site visited Oct. 24, 2018] URL: <<https://www.hkparts.net/shop/pc/ACE-Adapter-for-HK-MP5-93-33-83p18504.htm>>.*

* cited by examiner

Primary Examiner — Kevin K Rudzinski

Assistant Examiner — Kathleen L Jones

(74) *Attorney, Agent, or Firm* — Keating & Bennett, LLP

(57) **CLAIM**

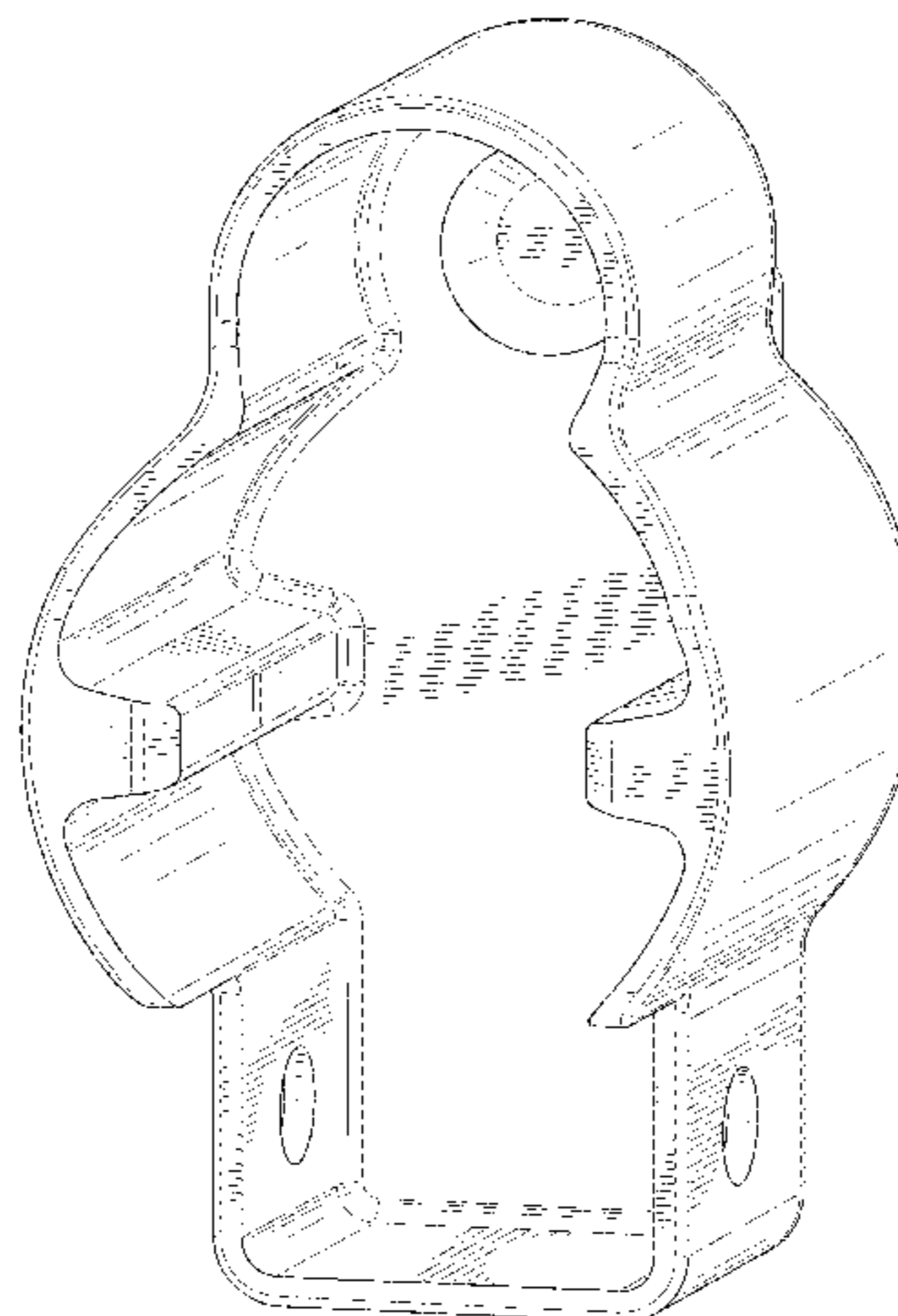
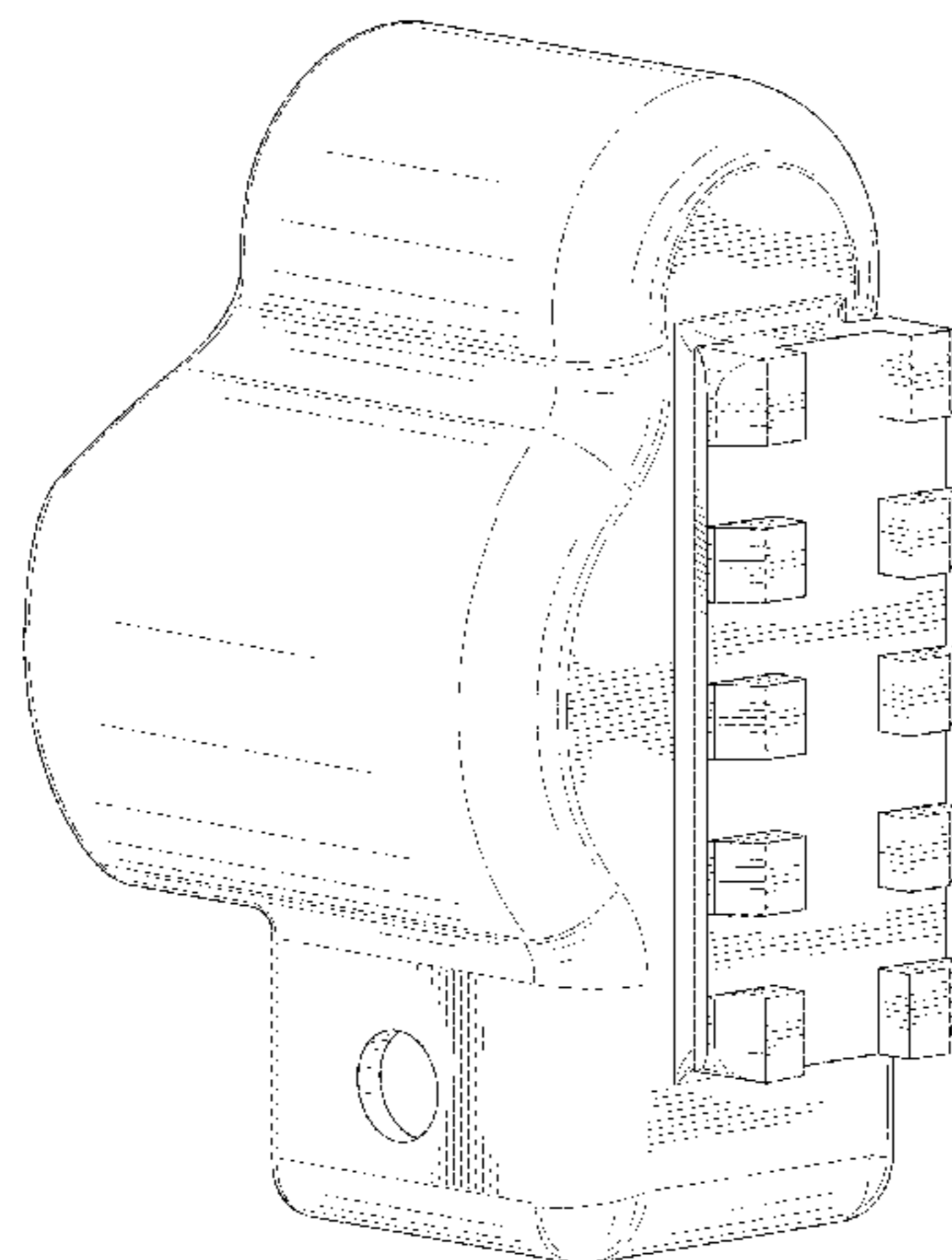
The ornamental design for an endcap with rail, as shown and described.

DESCRIPTION

FIG. 1 is a front and left side perspective view of an endcap with rail showing our new design; FIG. 2 is a back and right side perspective view thereof; FIG. 3 is a front plan view thereof; FIG. 4 is a back plan view thereof; FIG. 5 is a left side view thereof; FIG. 6 is a right side plan view thereof; FIG. 7 is a top plan view thereof; FIG. 8 is a bottom plan view thereof; and, FIG. 9 is a front and left perspective view of the endcap with rail in an exemplary position on a gun where the gun is shown in broken lines.

The broken lines shown in FIG. 9 are included to show unclaimed subject matter only and form no part of the claimed design.

1 Claim, 9 Drawing Sheets



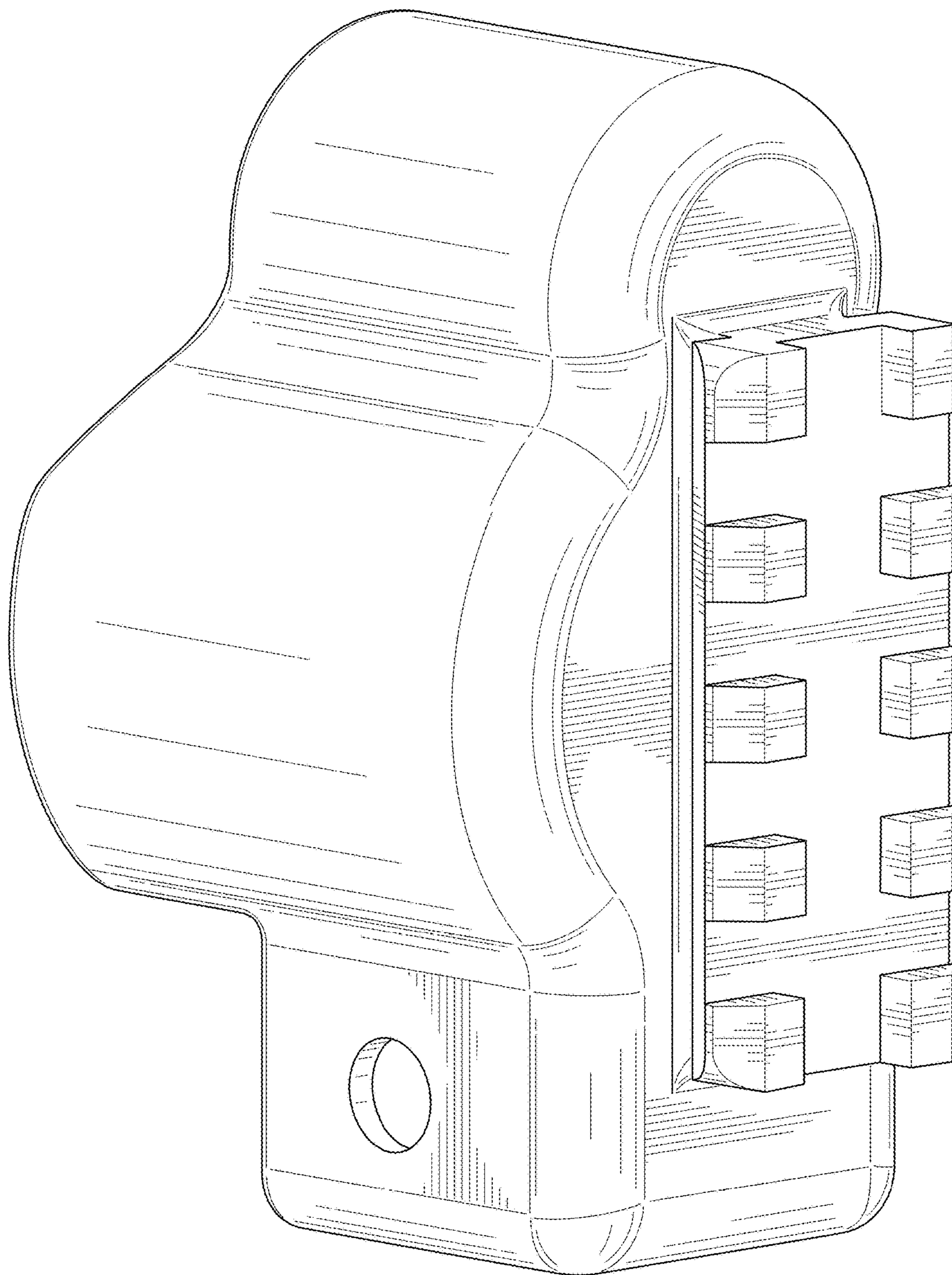


FIG. 1

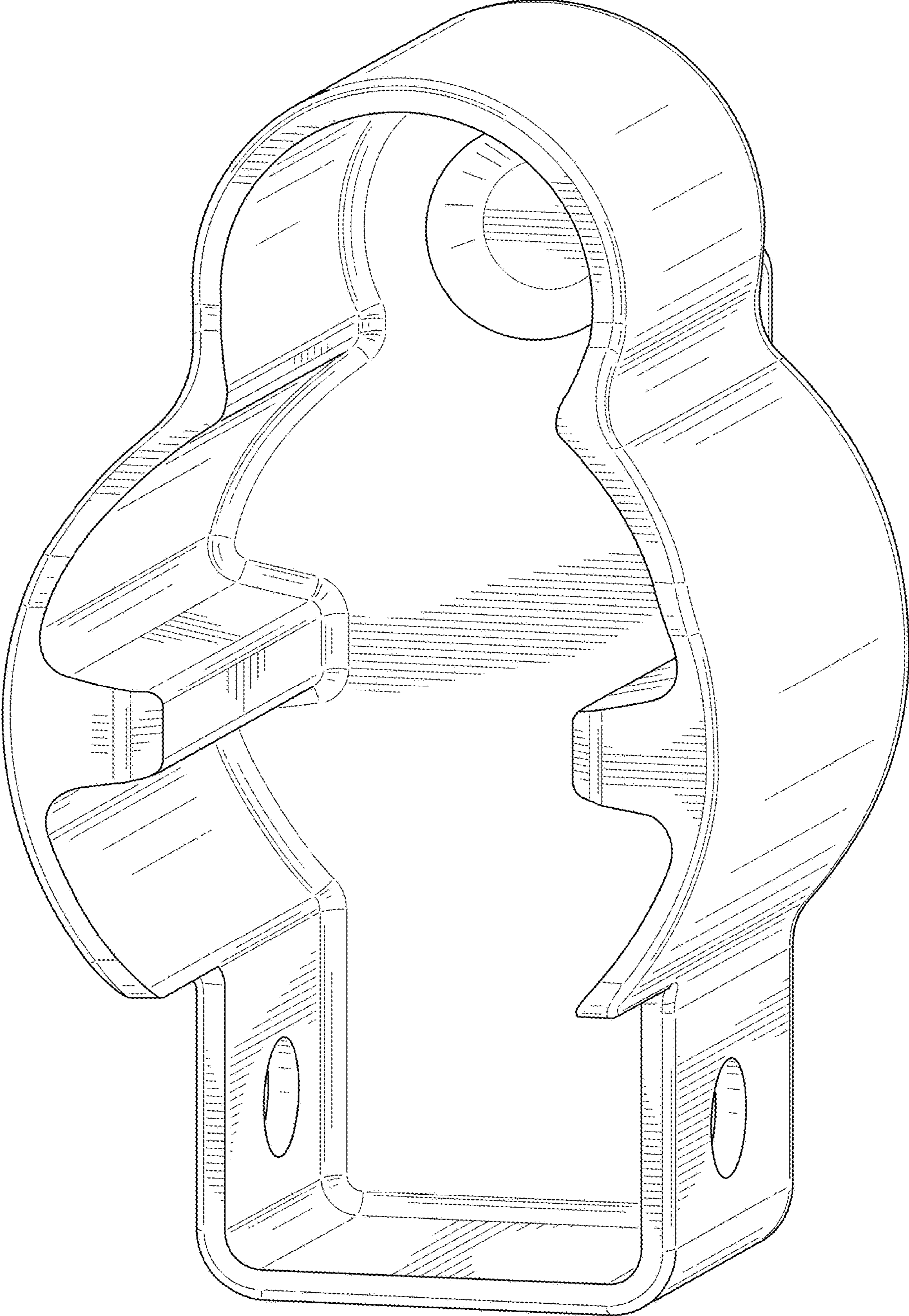


FIG. 2

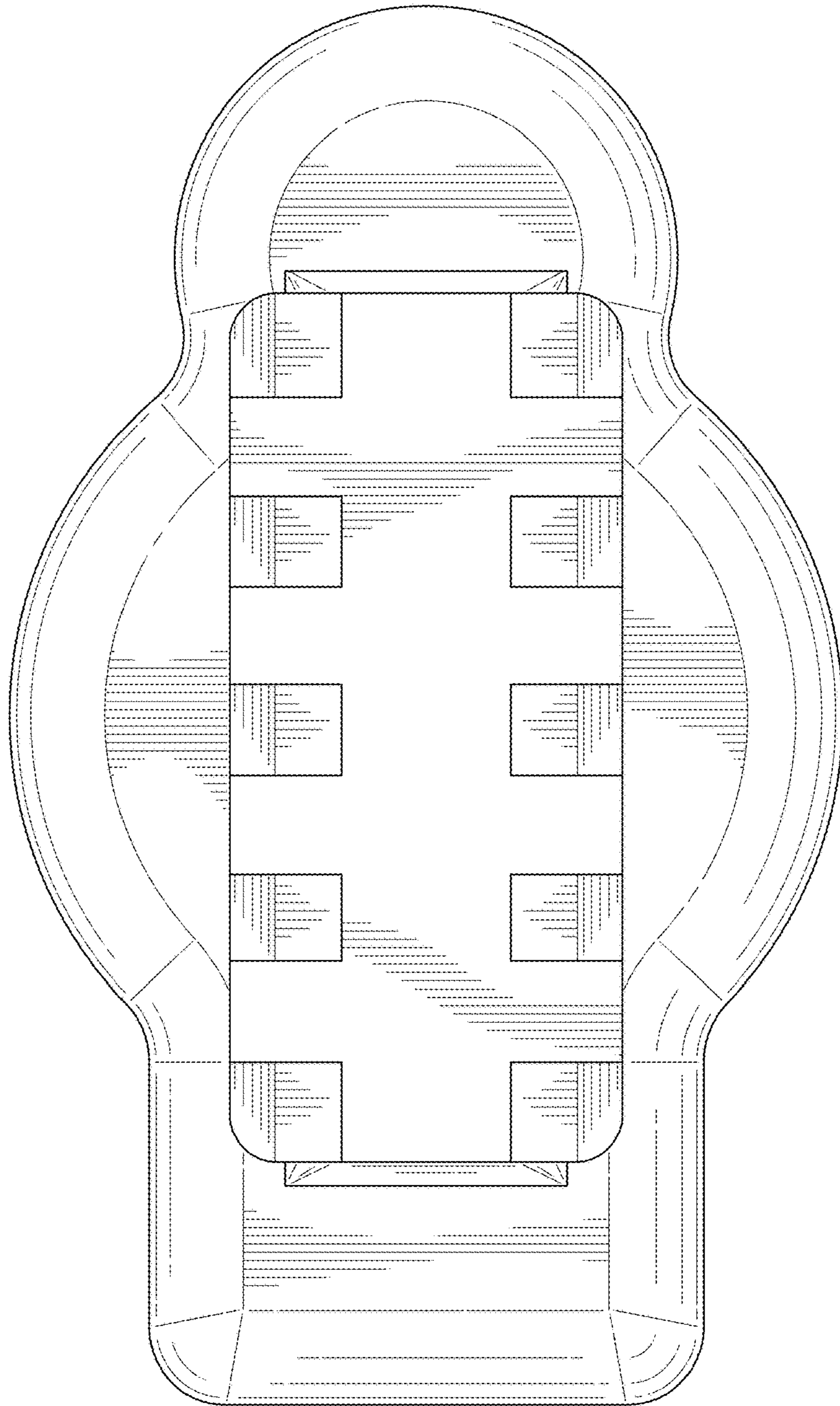


FIG. 3

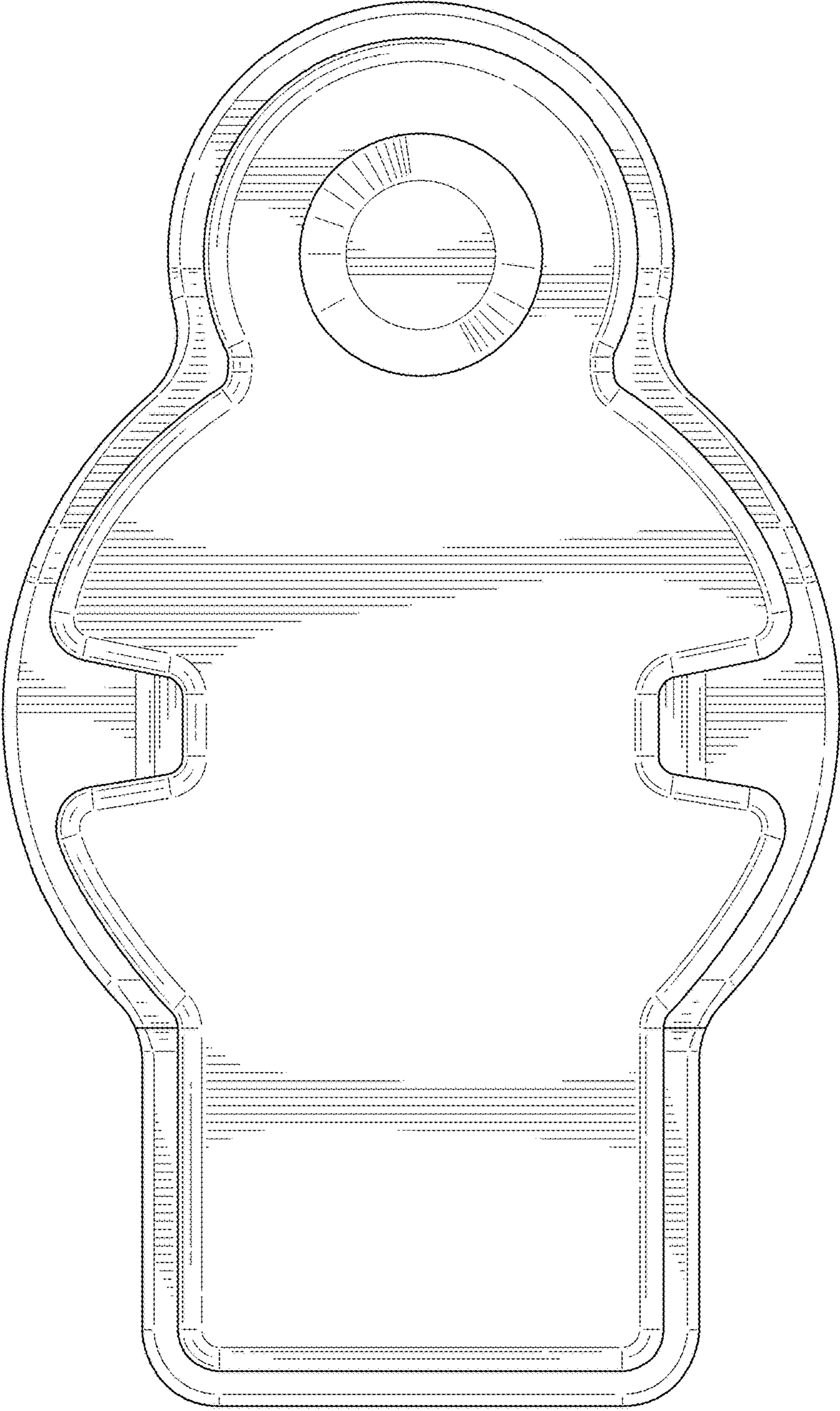


FIG. 4

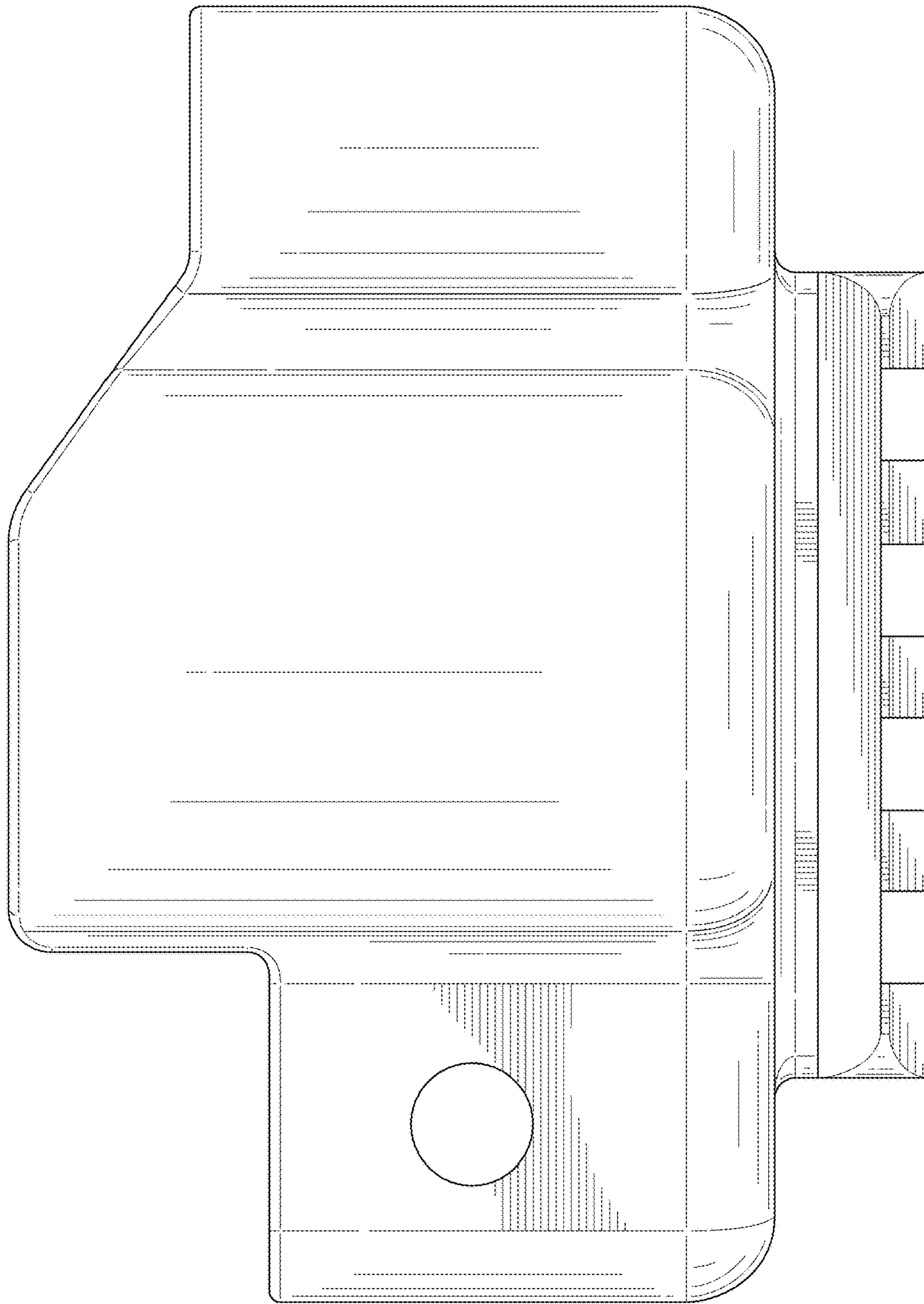


FIG. 5

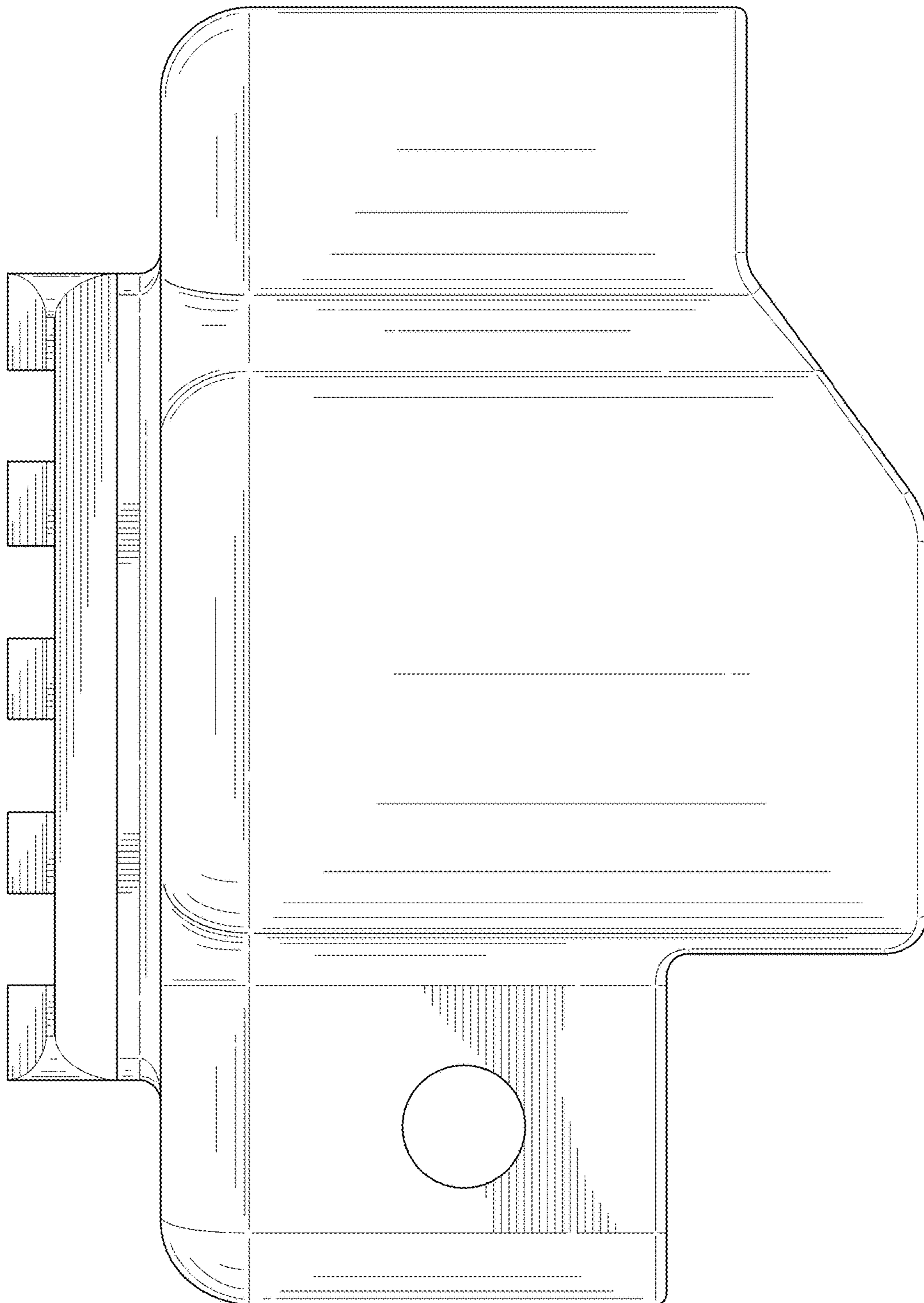


FIG. 6

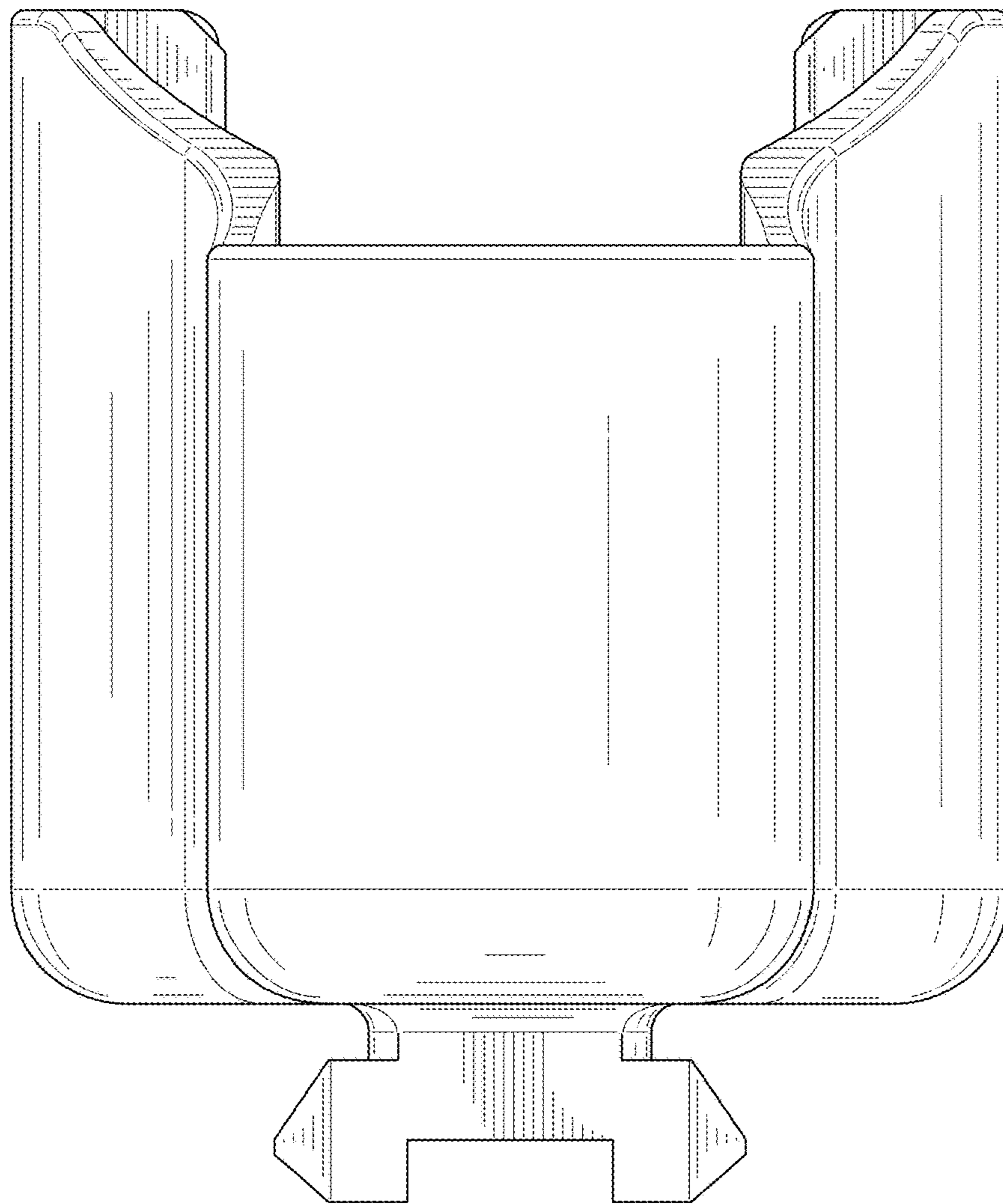


FIG. 7

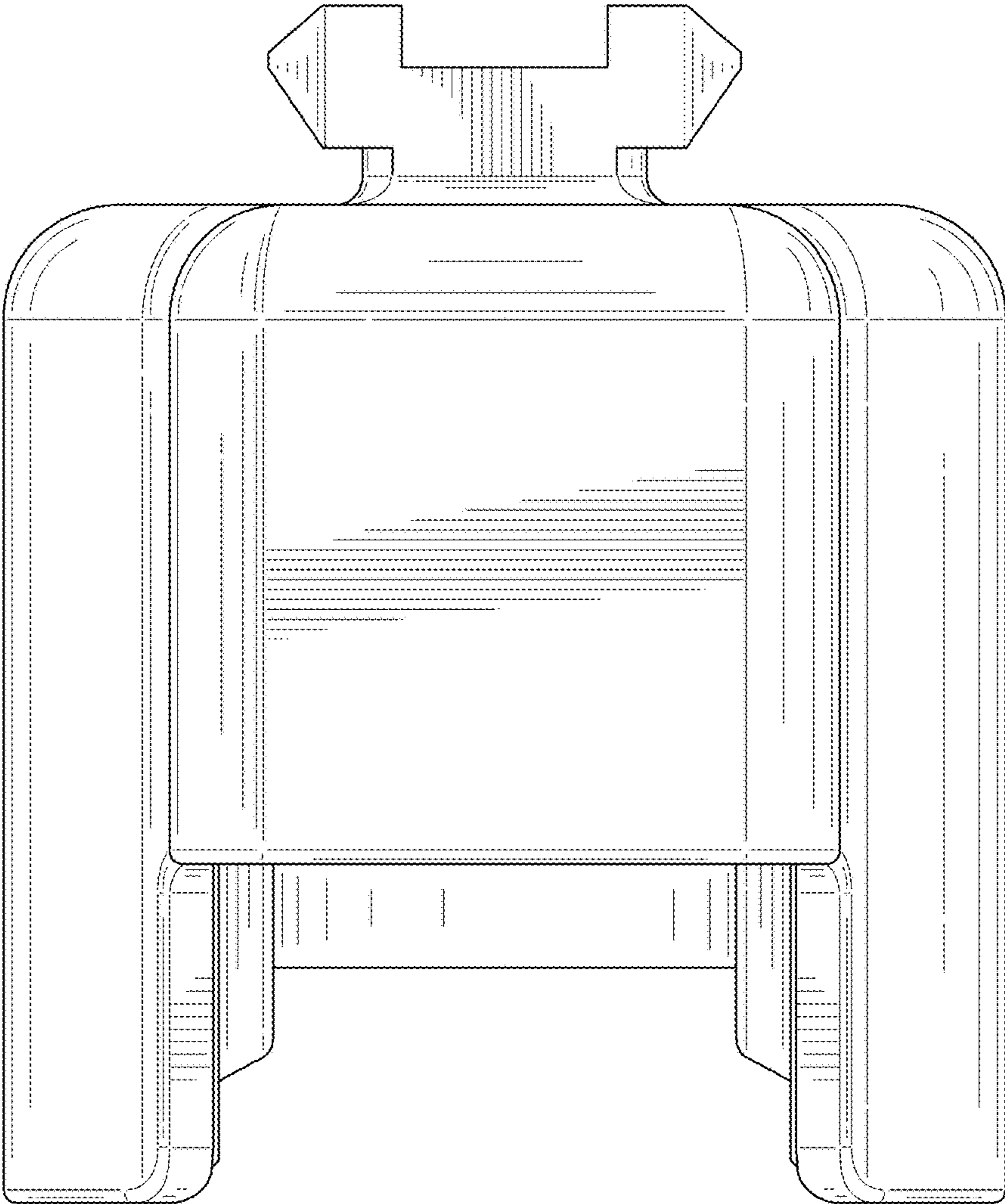


FIG. 8

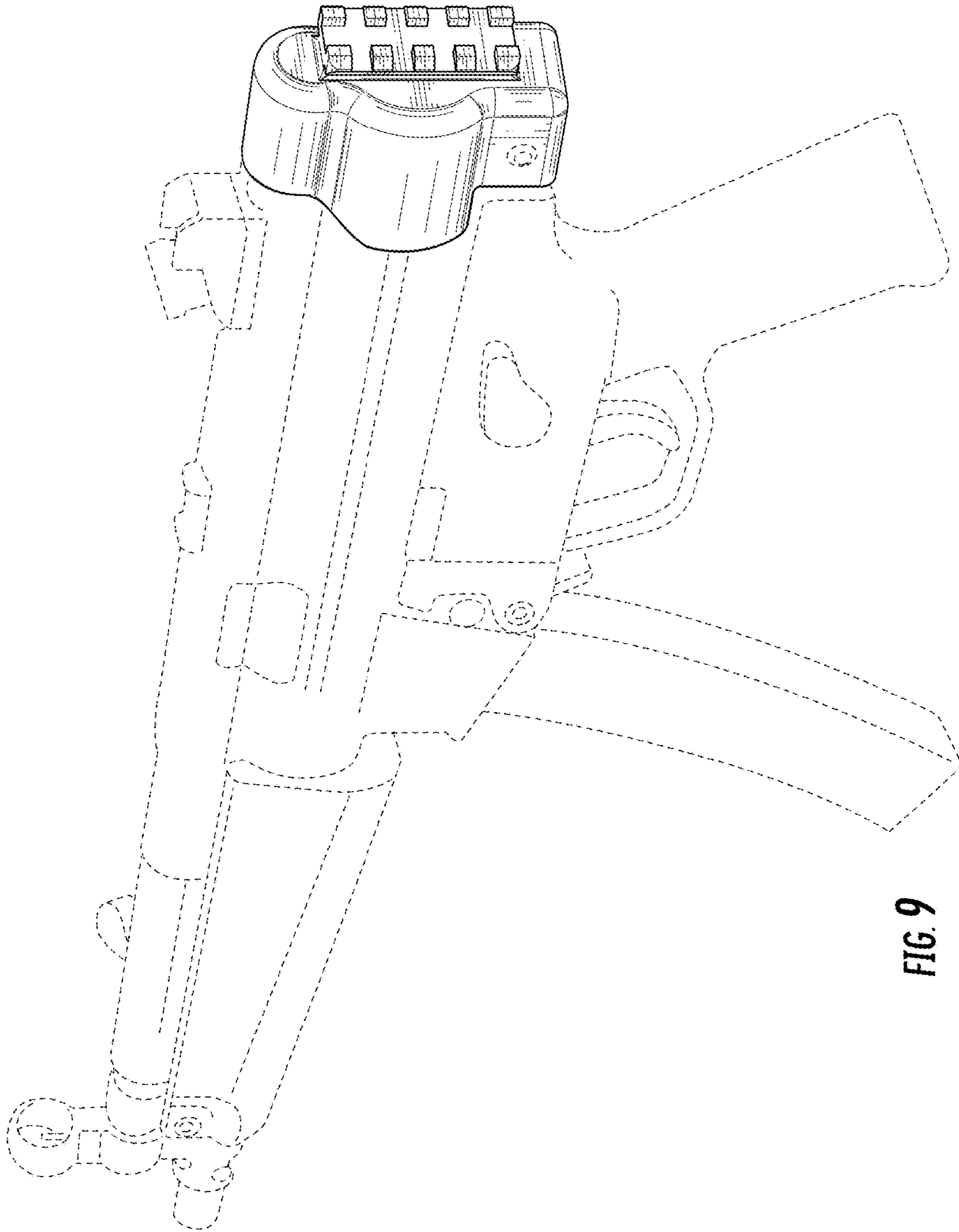


FIG. 9