



US00D838802S

(12) **United States Design Patent**
Oglesby

(10) **Patent No.:** **US D838,802 S**

(45) **Date of Patent:** **** Jan. 22, 2019**

(54) **CHAMFERED TRIGGER GUARD FOR PISTOL FRAME**

(71) Applicant: **Paul A. Oglesby**, Darley (GB)

(72) Inventor: **Paul A. Oglesby**, Darley (GB)

(**) Term: **15 Years**

(21) Appl. No.: **29/603,080**

(22) Filed: **May 5, 2017**

(51) **LOC (11) Cl.** **22-01**

(52) **U.S. Cl.**
USPC **D22/108**

(58) **Field of Classification Search**
USPC D22/101, 107-111; D8/68;
D21/572-575

CPC F41C 27/00; F41A 19/09; F41A 19/10;
F41A 19/11; F41A 19/21; F41A 17/46;
F41A 35/00

See application file for complete search history.

(56) **References Cited**

U.S. PATENT DOCUMENTS

2,590,858	A *	4/1952	Harvey	F41A 19/11 42/69.01
6,968,642	B1 *	11/2005	Leung	F41C 23/16 30/162
D596,693	S *	7/2009	Nakayama	D22/108
D623,718	S *	9/2010	Peterson	D22/108
D627,415	S *	11/2010	Finn	D22/108
D702,310	S *	4/2014	Larson	D22/108
D702,801	S *	4/2014	Larson	D22/108
9,217,618	B1 *	12/2015	Miller, III	F41A 19/11
D752,698	S *	3/2016	Miller	D22/108
D755,324	S *	5/2016	Martelli	D22/104
D760,860	S *	7/2016	Vincent	D22/108
D772,364	S *	11/2016	Kedairy	D22/104
D787,619	S *	5/2017	Young	D22/103
D795,379	S *	8/2017	Frederickson	D22/108
D795,984	S *	8/2017	Frederickson	D22/108
D805,154	S *	12/2017	Steele	D22/108

D808,487	S *	1/2018	Beville	D22/104
D815,233	S *	4/2018	Toner	D22/104
2012/0079752	A1 *	4/2012	Peterson	F41A 11/02 42/75.02

(Continued)

OTHER PUBLICATIONS

Frame Work (Glock), posted at Agency Arms, posting date Jan. 31, 2017. [Site visited Sep. 27, 2018] URL: <<http://www.agencyarms.com/frame-work-glock>> (Year: 2017).*

(Continued)

Primary Examiner — Kevin K Rudzinski
Assistant Examiner — Kathleen L Jones
(74) *Attorney, Agent, or Firm* — Shaddock Law Group, PC

(57) **CLAIM**

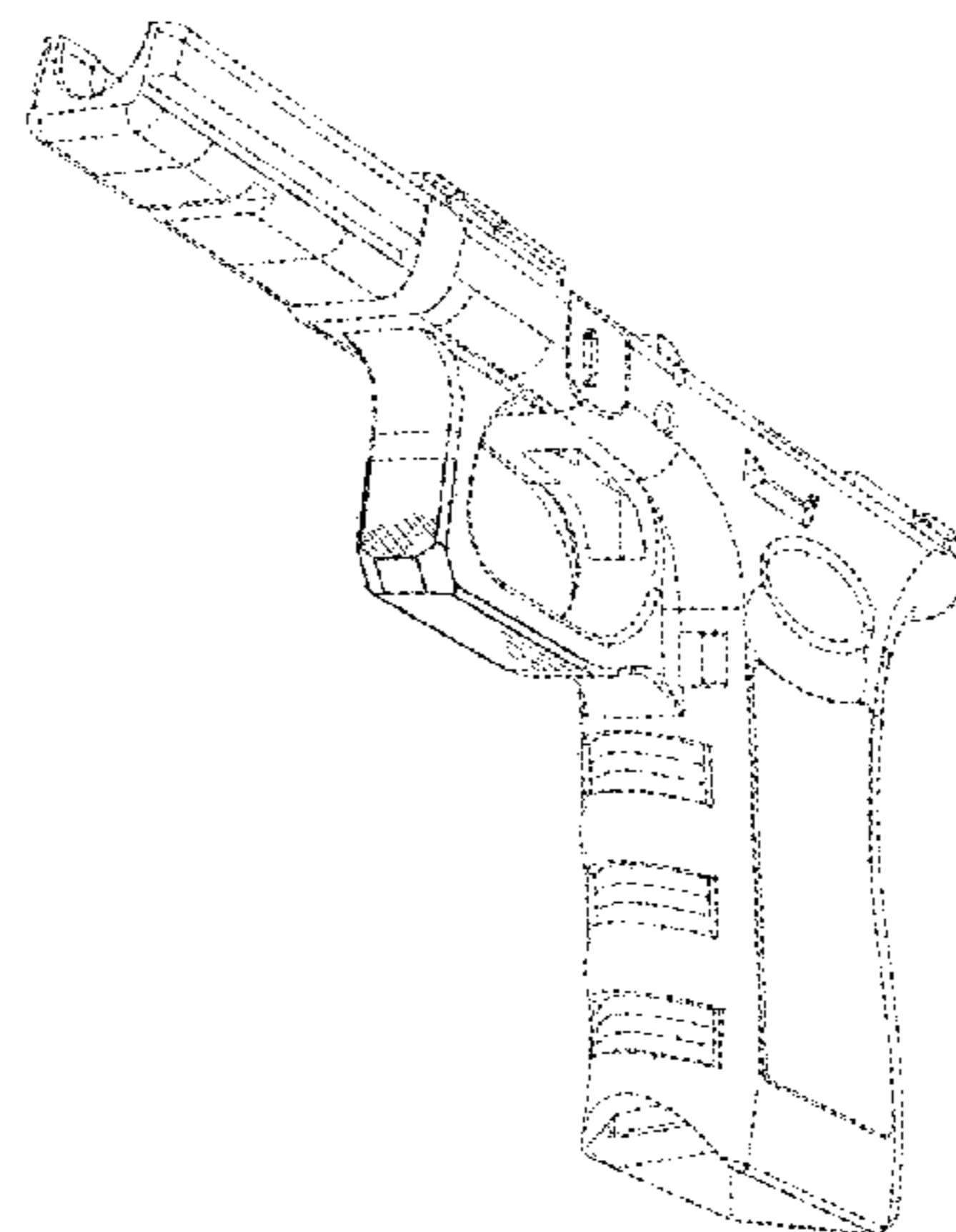
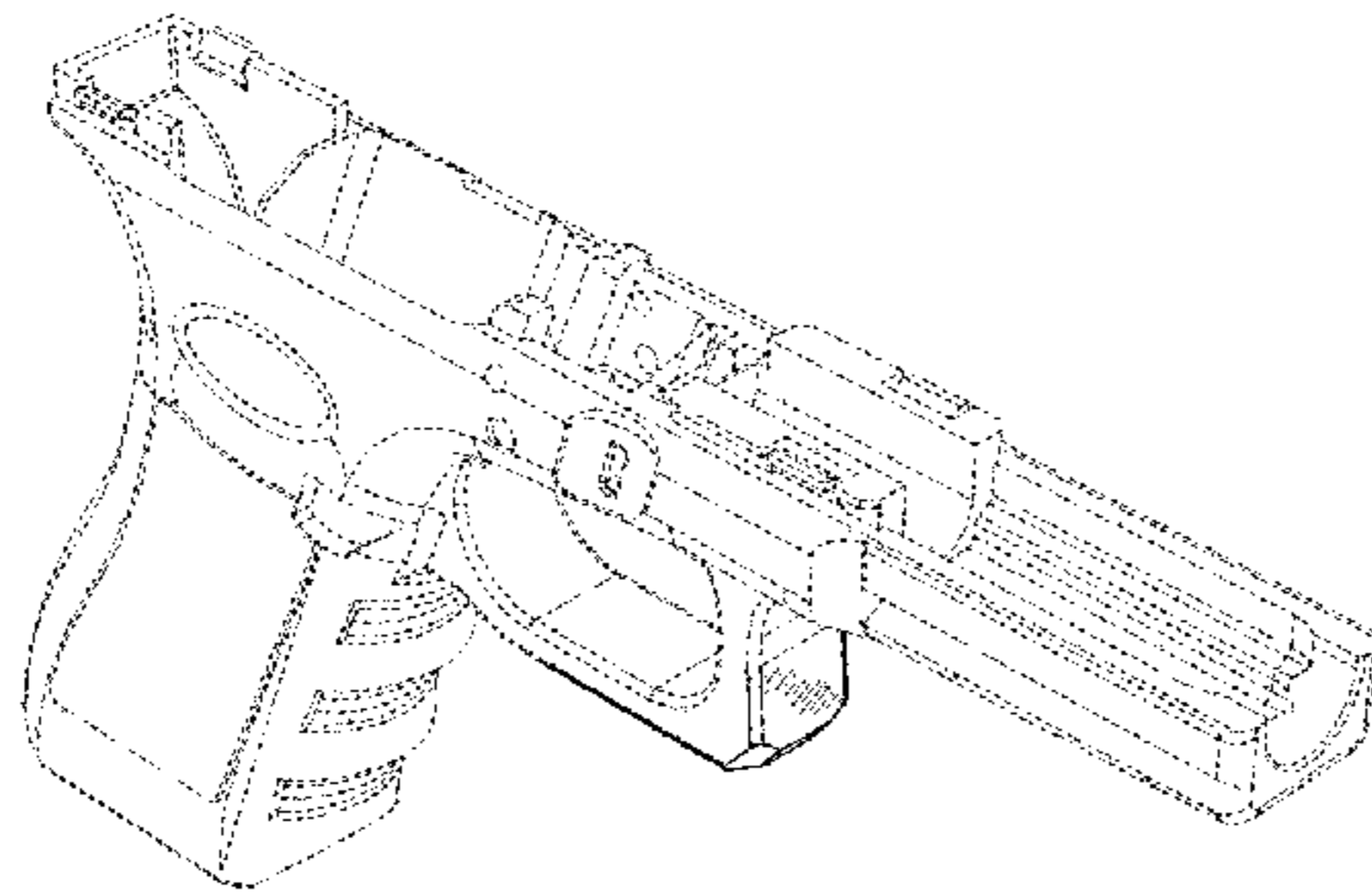
The ornamental design for a chamfered trigger guard for pistol frame, as shown and described.

DESCRIPTION

FIG. 1 is an upper, right, front perspective view of the chamfered trigger guard for pistol frame, showing my new design;
FIG. 2 is an upper, left, front perspective view thereof;
FIG. 3 is an lower, right, front perspective view thereof;
FIG. 4 is an lower, left, front perspective view thereof;
FIG. 5 is a right side view thereof;
FIG. 6 is a left side view thereof;
FIG. 7 is a top view thereof;
FIG. 8 is a bottom view thereof;
FIG. 9 is a front view thereof; and,
FIG. 10 is a rear view thereof.

The broken lines showing portions of the chamfered trigger guard as well as the broken lines showing environmental structure form no part of the claimed design.

1 Claim, 5 Drawing Sheets



(56)

References Cited

U.S. PATENT DOCUMENTS

2014/0165442 A1* 6/2014 Nebeker F41A 3/64
42/16
2018/0112944 A1* 4/2018 Underwood F41A 17/28

OTHER PUBLICATIONS

Seekins Precision Billet Trigger Guard, posted at Aim Surplus, posting date not available. [Site visited Sep. 27, 2018] URL: <<https://www.aimsurplus.com/product.aspx?item=XSPBTG&name=Seekins+Precision+Billet+Trigger+Guard&groupid=6391>>.*

SI Cobra Fang Magwell Assist, posted at Madbull, posting date Feb. 11, 2014. [Site visited Sep. 27, 2018] URL: <<http://madbull.com/catalog/en/products/external-upgrade/triggers-trigger-guards/si-cobra-fang-magwell-assist-trigger-guard.html>> (Year: 2014).*

Strike Industries Fang Trigger Guard, posted at Primary Arms, review posting date Aug. 4, 2015. [Site visited Sep. 27, 2018] URL: <<https://www.primaryarms.com/strike-industries-cobra-fang-enhanced-trigger-guard-si-cobra-fang>> (Year: 2015).*

* cited by examiner

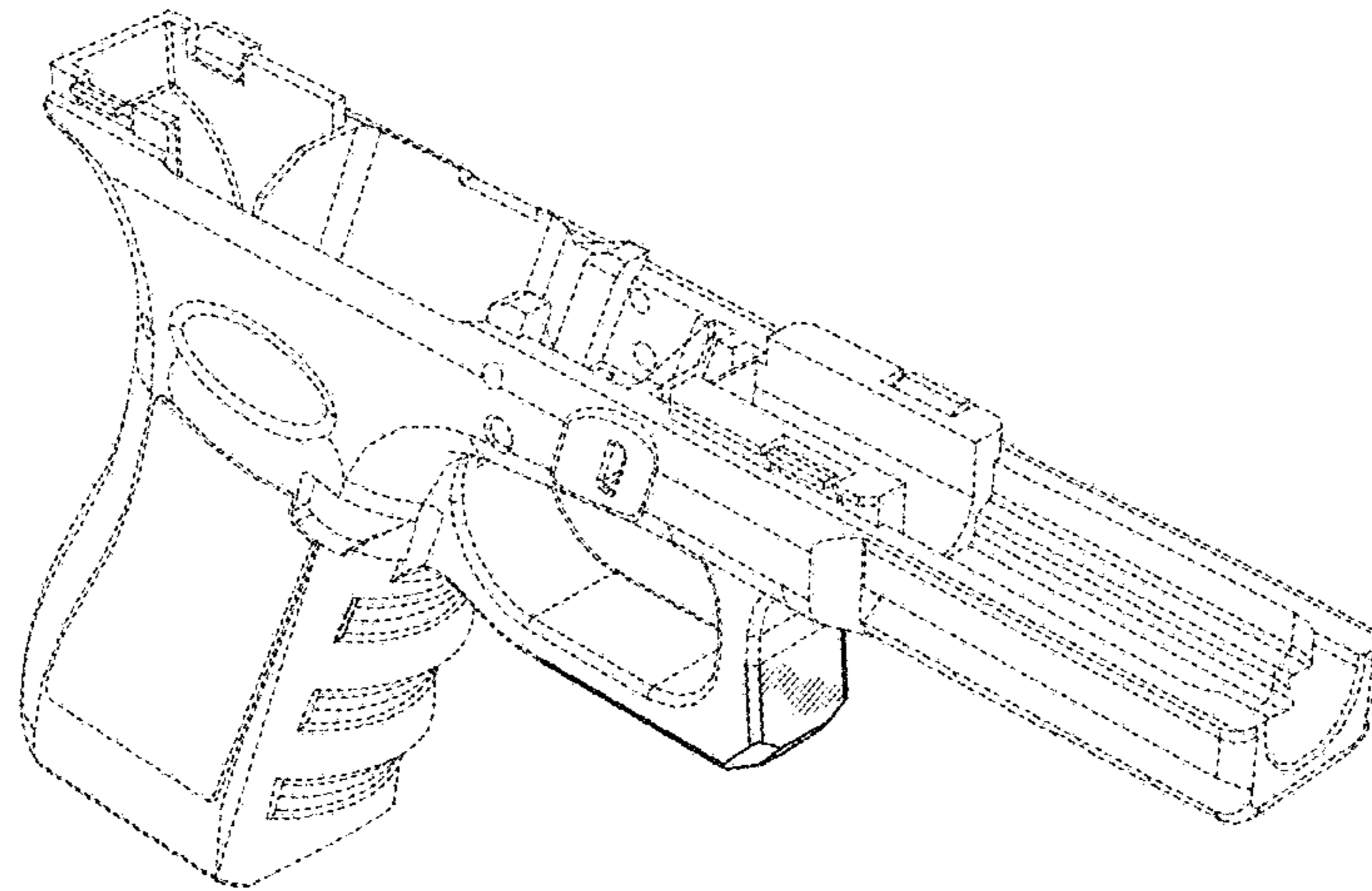


FIG. 1

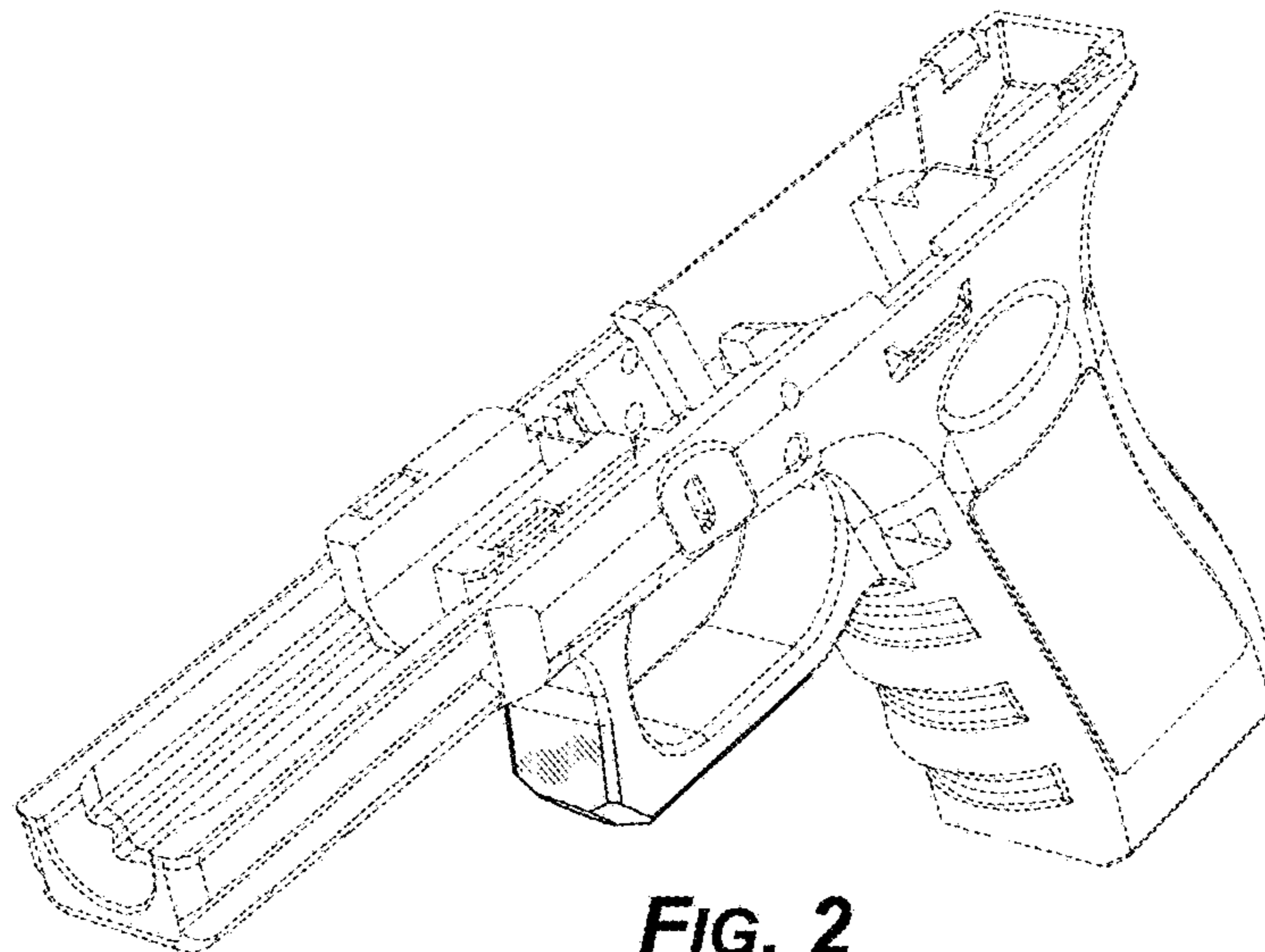


FIG. 2

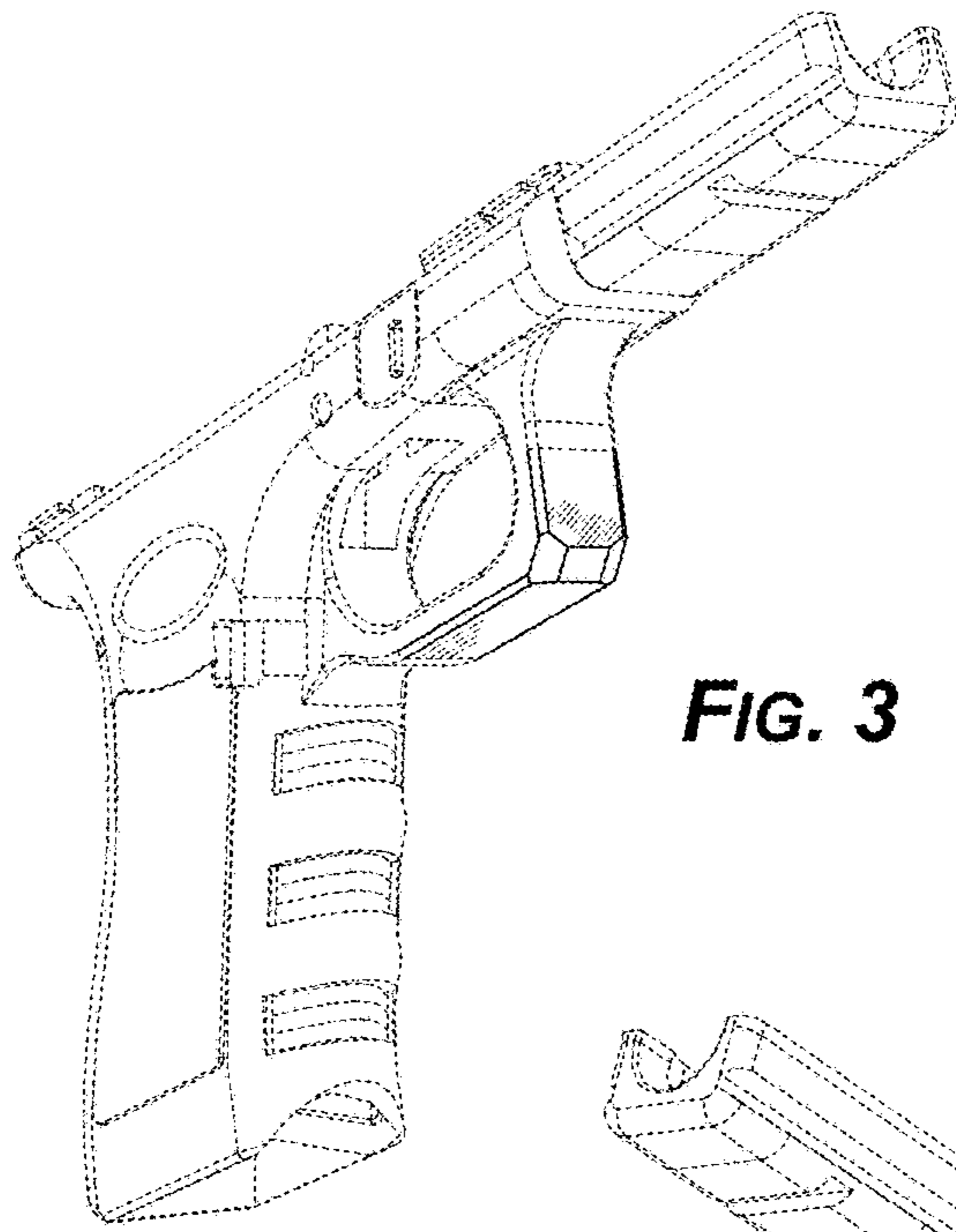


FIG. 3

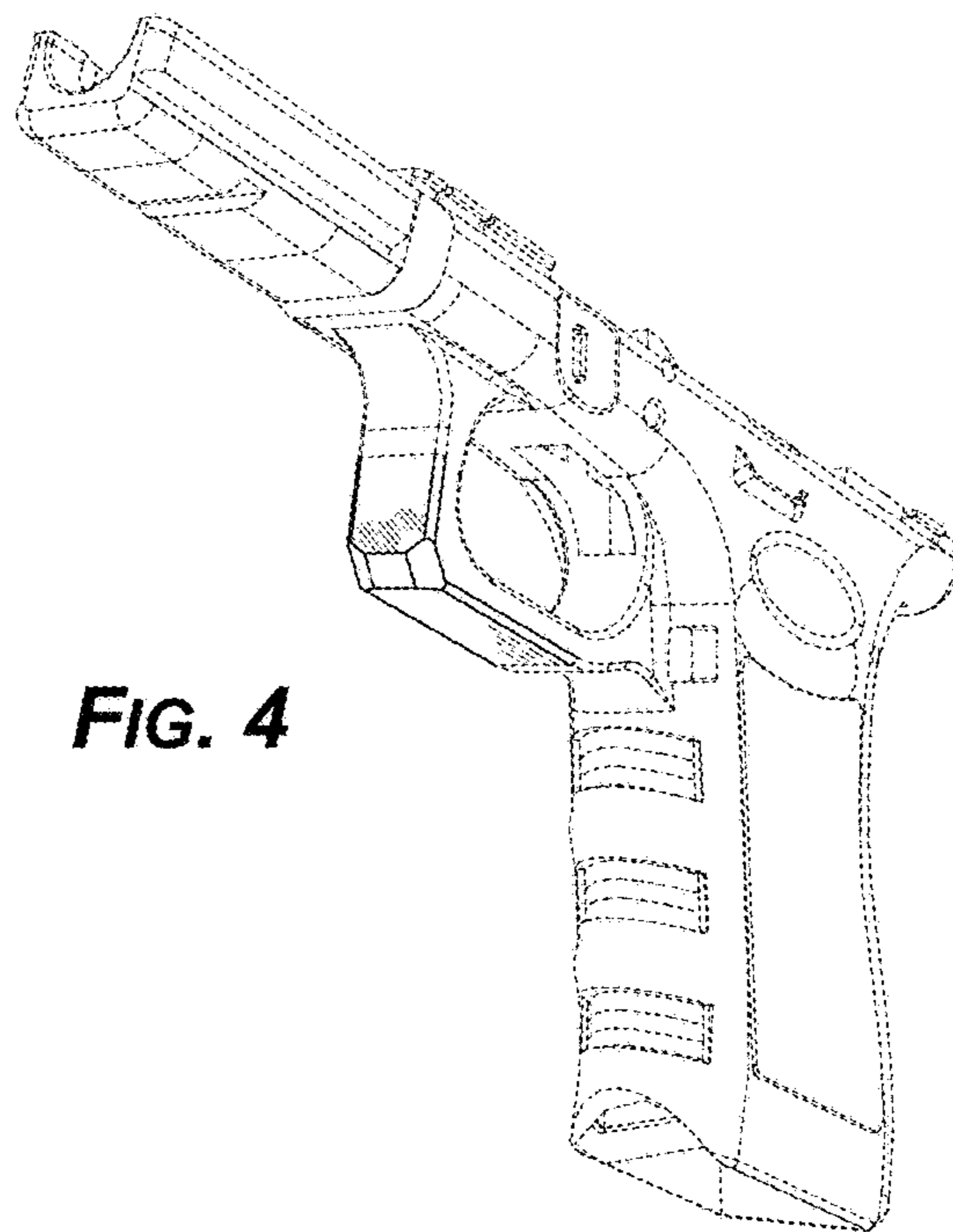


FIG. 4

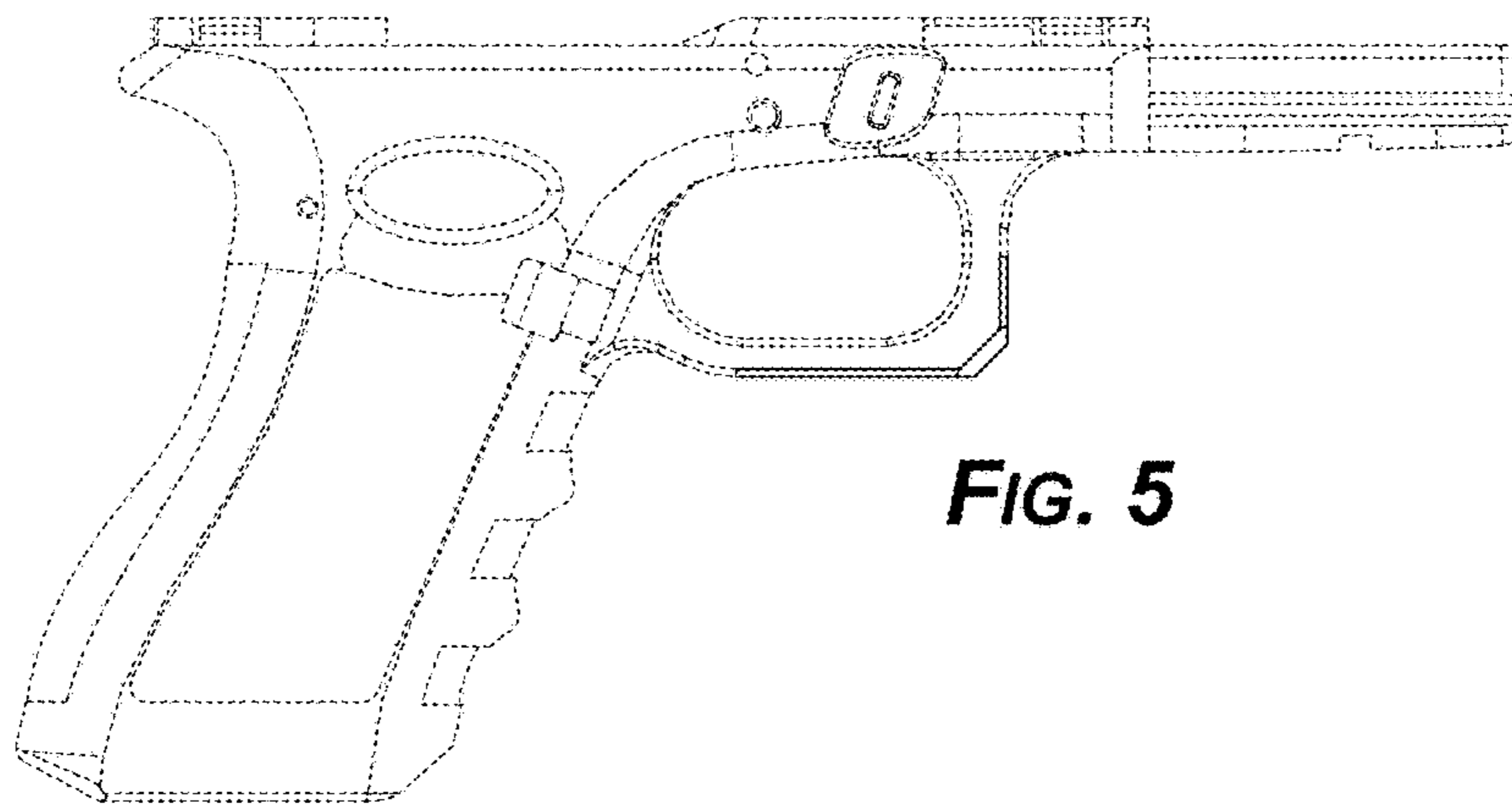


FIG. 5

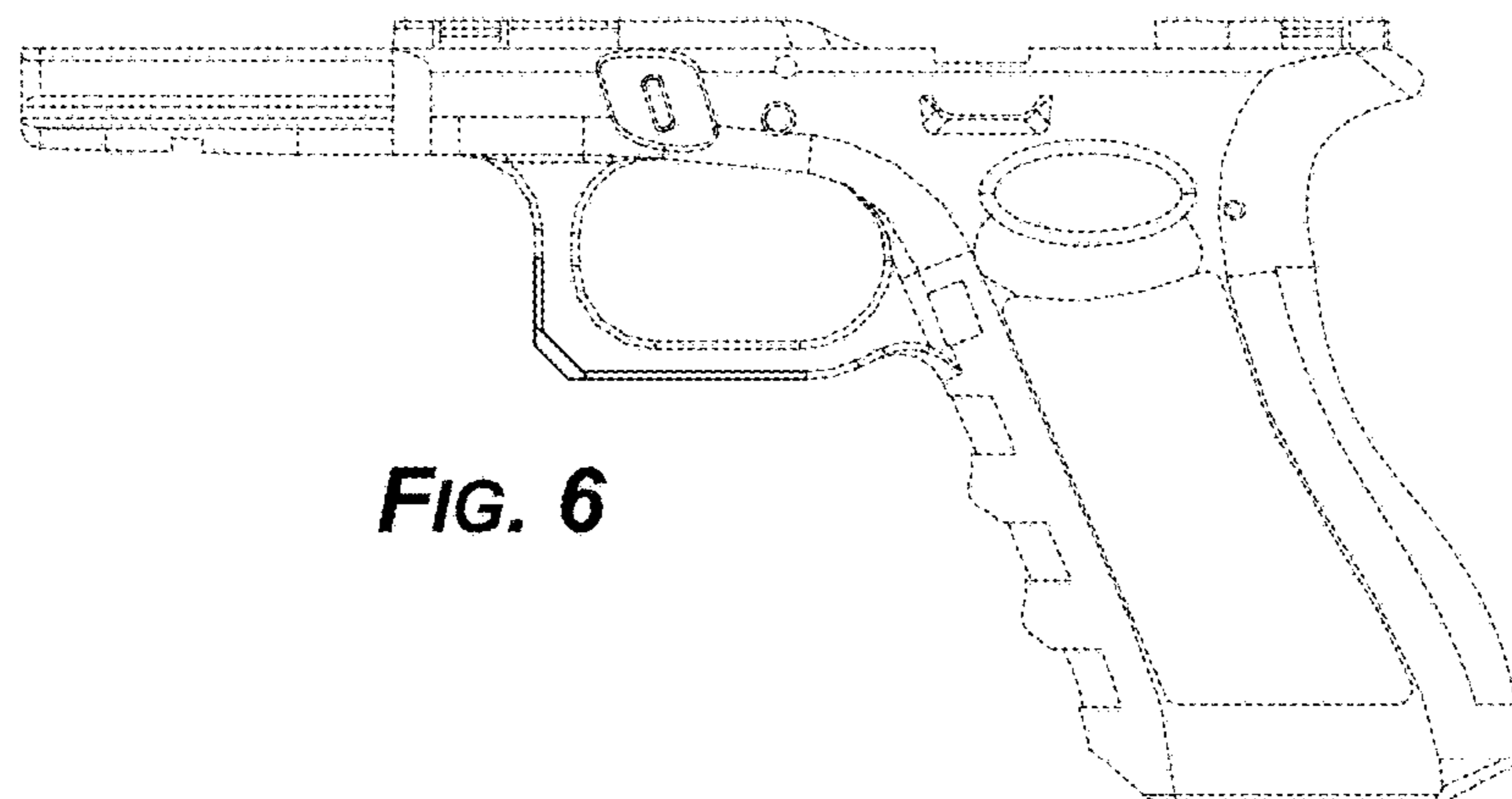


FIG. 6

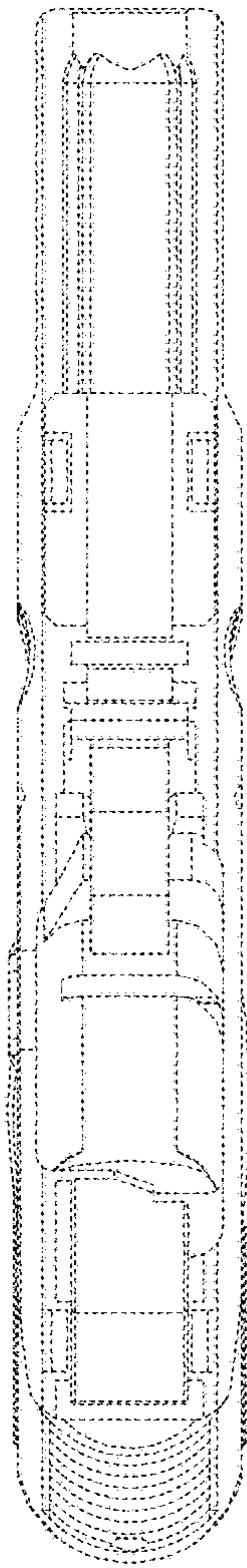


FIG. 7

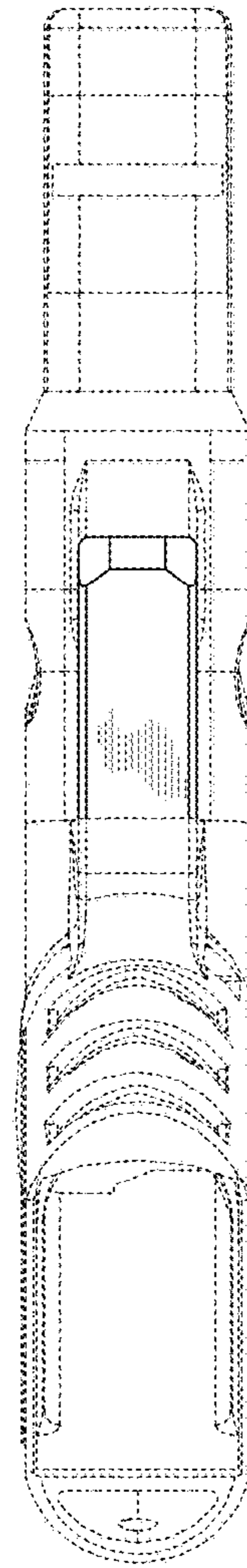


FIG. 8

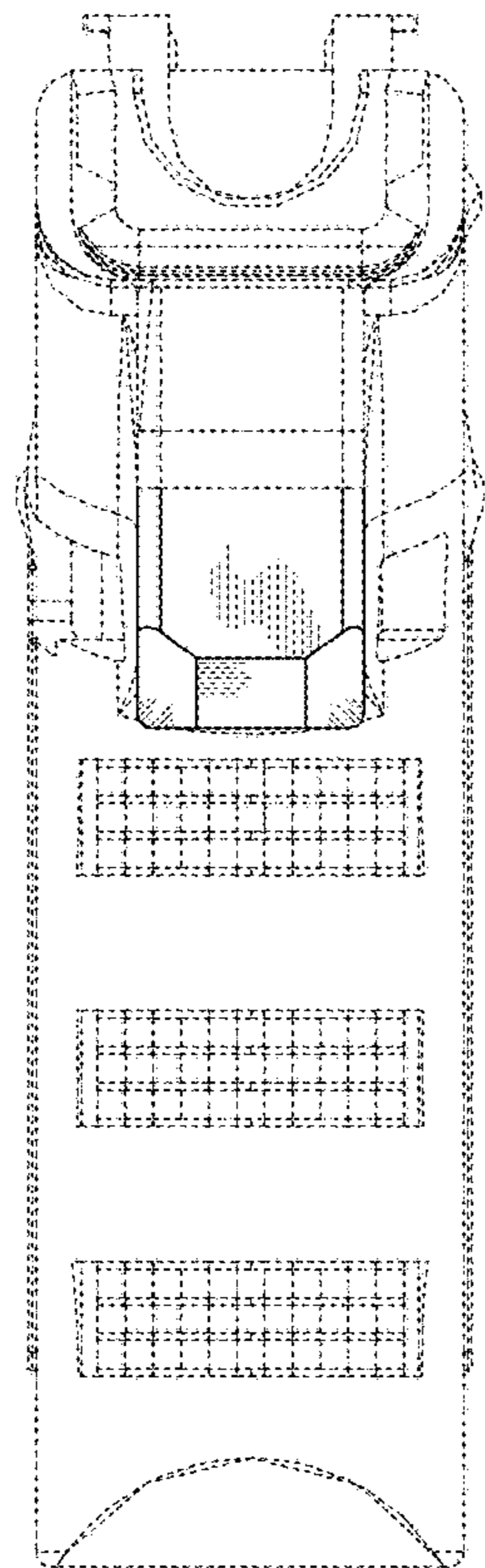


FIG. 9

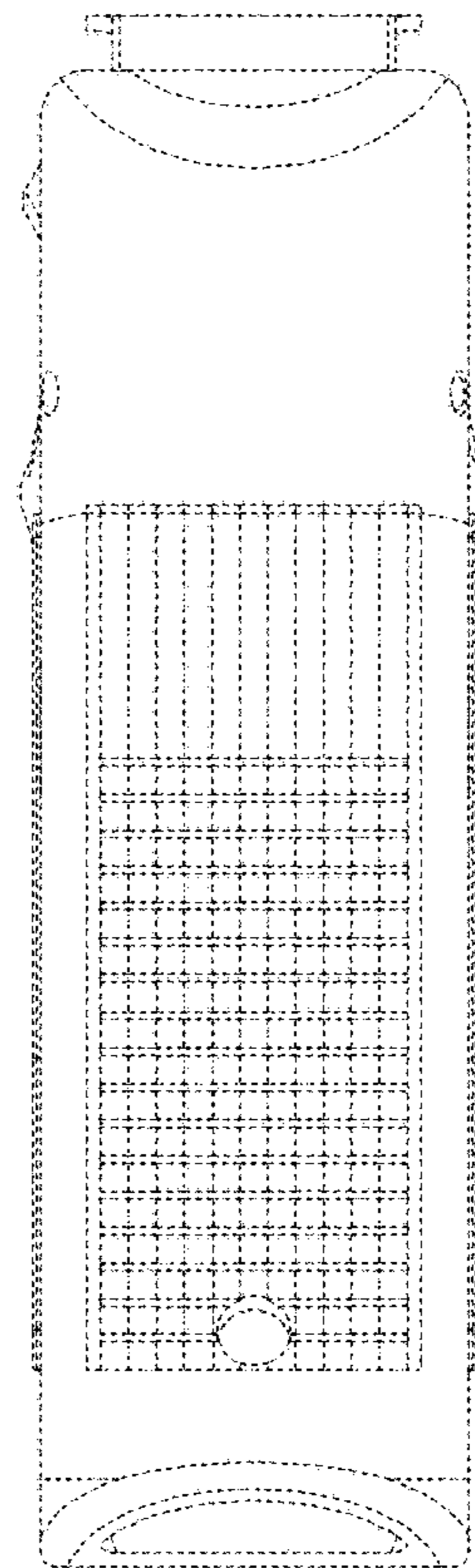


FIG. 10