



US00D838799S

(12) **United States Design Patent**
Ozsoz et al.

(10) **Patent No.:** **US D838,799 S**

(45) **Date of Patent:** **** Jan. 22, 2019**

(54) **WATER SLIDE**

(71) Applicant: **POLIN SU PARKLARI VE HAVUZ
SISTEMLERI ANONIM SIRKETI,**
Kocaeli (TR)

(72) Inventors: **Emre Ozsoz,** Kocaeli (TR); **Ezgi
Altunay,** Kocaeli (TR)

(73) Assignee: **POLIN SU PARKLARI VE HAVUZ
SISTEMLERI ANONIM SIRKETI,**
Kocaeli (TR)

(**) Term: **15 Years**

(21) Appl. No.: **29/622,834**

(22) Filed: **Oct. 20, 2017**

(51) **LOC (11) Cl.** **21-03**

(52) **U.S. Cl.**
USPC **D21/819; D21/821**

(58) **Field of Classification Search**
USPC **D21/818–822**
CPC **A63G 21/00–21/22**
See application file for complete search history.

(56) **References Cited**

U.S. PATENT DOCUMENTS

- 872,253 A * 11/1907 Riehl A63G 7/00
104/75
- 4,145,042 A * 3/1979 Becker A63G 21/18
472/117
- 4,149,710 A * 4/1979 Rouchard A63G 21/18
104/70
- 4,196,900 A * 4/1980 Becker A63G 21/00
472/117
- 4,198,043 A * 4/1980 Timbes A63G 21/18
104/70
- D256,827 S * 9/1980 Allen, 3rd D21/819
- D256,828 S * 9/1980 Allen, 3rd D21/819
- D256,940 S * 9/1980 Allen, 3rd D21/819

- D269,104 S * 5/1983 Brown D21/819
- D269,105 S * 5/1983 Brown D21/819
- D269,106 S * 5/1983 Brown D21/819

(Continued)

Primary Examiner — Mitchell I. Siegel

(74) *Attorney, Agent, or Firm* — Gokalp Bayramoglu

(57) **CLAIM**

The ornamental design for a water slide, as shown and described.

DESCRIPTION

FIG. 1 is a perspective view of a water slide showing the new design;

FIG. 2 is a perspective view of the water slide from another angle;

FIG. 3 is a perspective view of the water slide from another angle;

FIG. 4 is a top view of the water slide;

FIG. 5 is an enlarge top view of the middle U-shaped structure of the water slide;

FIG. 6 is an enlarge right side view of the middle U-shaped structure of the water slide;

FIG. 7 is an enlarge left side view of the middle U-shaped structure of the water slide;

FIG. 8 is an enlarge rear view of the middle U-shaped structure of the water slide;

FIG. 9 is an enlarge front view of the middle U-shaped structure of the water slide;

FIG. 10 is an enlarge bottom view of the middle U-shaped structure of the water slide;

FIG. 11 is an enlarge perspective view of the middle U-shaped structure of the water slide from another angle;

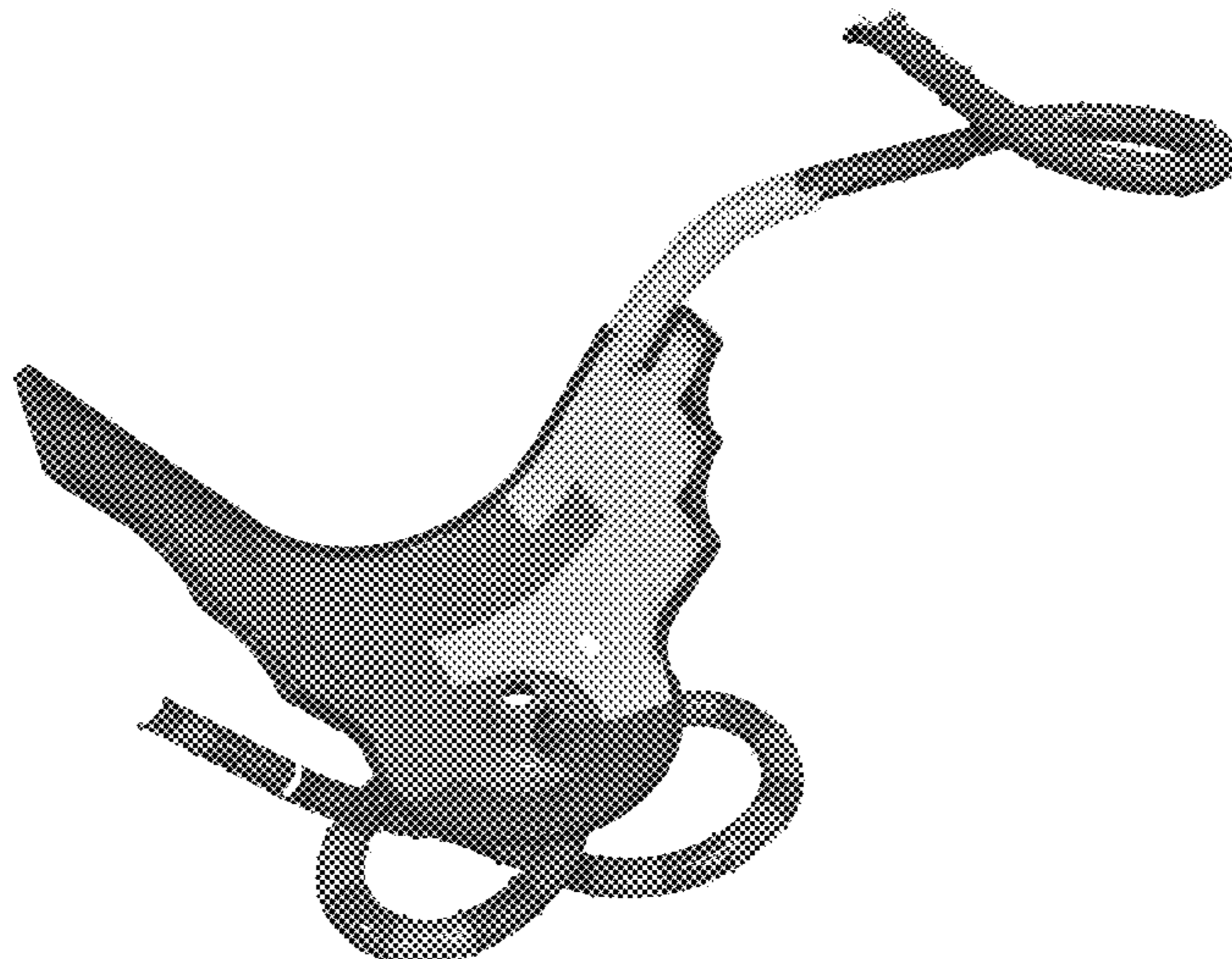
FIG. 12 is an enlarge perspective view of the middle U-shaped structure of the water slide from another angle;

FIG. 13 is an enlarge perspective view of the middle U-shaped structure of the water slide from another angle;

and,

FIG. 14 is an enlarge perspective view of the middle U-shaped structure of the water slide from another angle.

1 Claim, 14 Drawing Sheets



(56)

References Cited

U.S. PATENT DOCUMENTS

D269,107 S * 5/1983 Brown D21/819
 4,394,173 A * 7/1983 Aste A63G 21/06
 104/124
 D344,317 S * 2/1994 Petersheim D21/821
 D372,065 S * 7/1996 Gilles D21/821
 D438,280 S * 2/2001 Robertson D21/818
 D521,098 S * 5/2006 Hunter A63G 31/007
 D21/819
 D548,810 S * 8/2007 Hunter D21/821
 D567,322 S * 4/2008 Hunter D21/821
 D573,222 S * 7/2008 Huerta D21/821
 D580,507 S * 11/2008 Huerta D21/818
 D583,895 S * 12/2008 Hlynka D21/821
 7,762,900 B2 * 7/2010 Henry A63G 21/18
 472/117
 7,854,662 B2 * 12/2010 Braun A63G 21/18
 472/116
 7,887,426 B2 * 2/2011 Hlynka A63G 21/18
 104/70
 D650,463 S * 12/2011 Degirmenci D21/819
 8,192,291 B2 * 6/2012 Brassard A63G 21/18
 104/69
 8,197,353 B2 * 6/2012 Brassard A63G 21/18
 104/69
 8,313,389 B2 * 11/2012 Crawford A63G 1/06
 446/325

8,360,894 B2 * 1/2013 Hlynka A63G 31/007
 472/117
 8,579,715 B2 * 11/2013 Olive A63G 21/18
 472/116
 D697,159 S * 1/2014 Altindag D21/819
 D697,571 S * 1/2014 Altindag D21/819
 8,702,525 B2 * 4/2014 Bradley A63G 21/18
 472/117
 D705,377 S * 5/2014 Brassard D21/821
 D705,378 S * 5/2014 Brassard D21/821
 D705,379 S * 5/2014 Brassard D21/821
 D705,380 S * 5/2014 Brassard D21/821
 D705,381 S * 5/2014 Brassard D21/821
 D705,382 S * 5/2014 Brassard D21/821
 D705,882 S * 5/2014 Brassard D21/821
 D705,883 S * 5/2014 Brassard D21/821
 D706,892 S * 6/2014 Altindag D21/819
 D728,720 S * 5/2015 Brassard D21/819
 D743,497 S * 11/2015 Eroglu D21/818
 D771,213 S * 11/2016 Ozturk D21/821
 D779,010 S * 2/2017 Ozturk D21/821
 D806,816 S * 1/2018 Forbes D21/818
 D809,618 S * 2/2018 Hunter A63G 21/18
 D21/821
 D819,156 S * 5/2018 Hunter A63G 21/18
 D21/821
 D827,752 S * 9/2018 Hunter D21/819

* cited by examiner

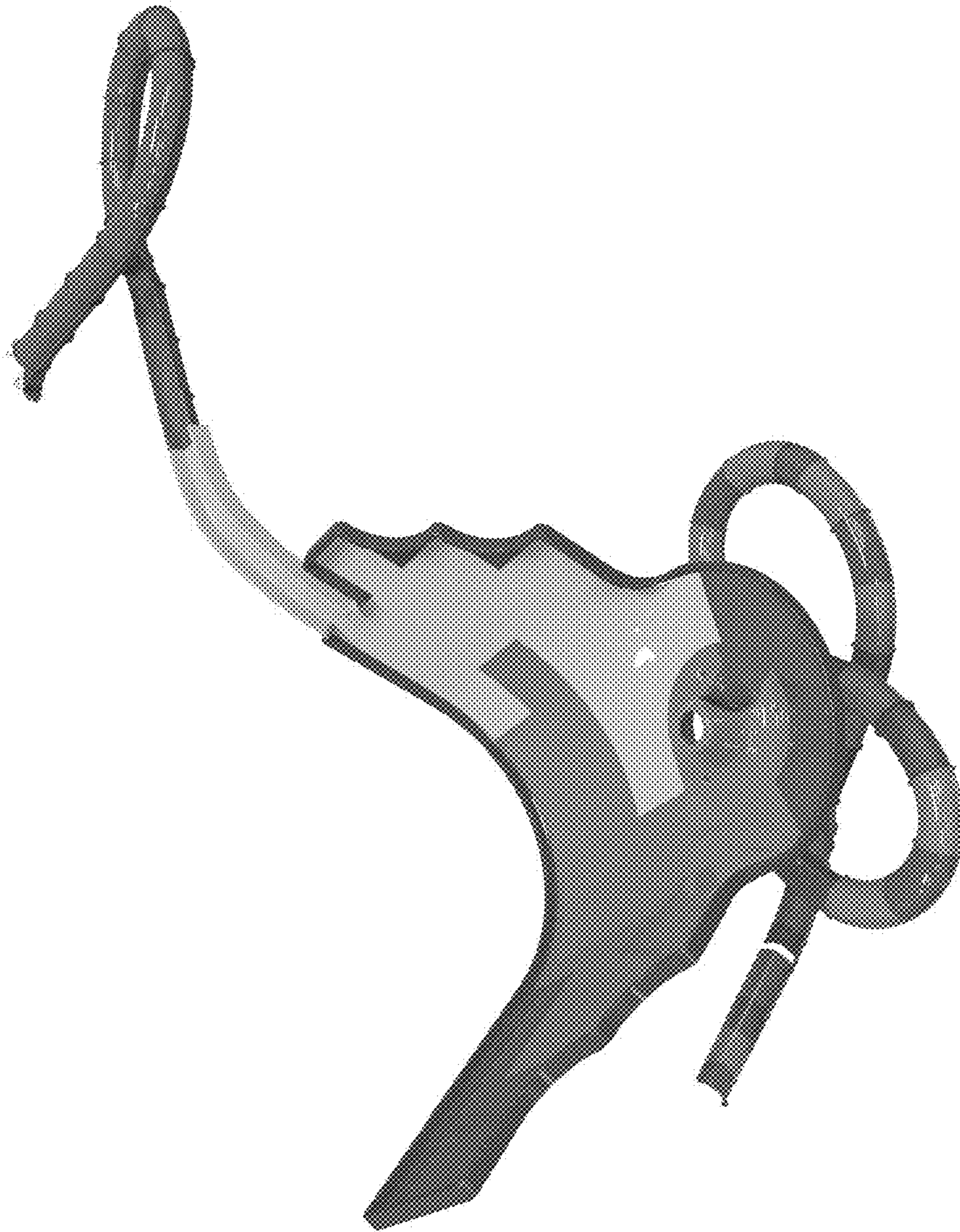


Figure 1

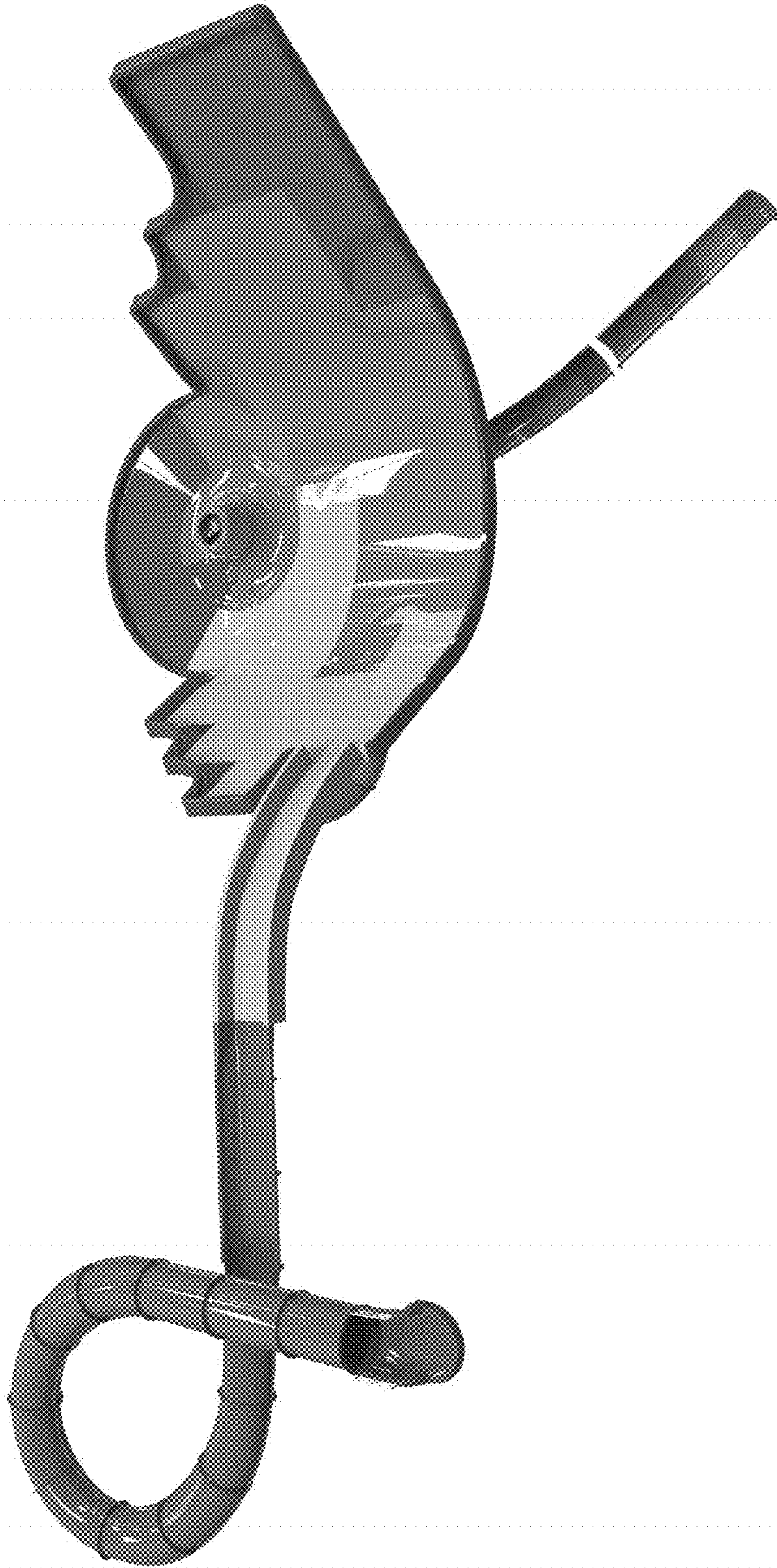


Figure 2

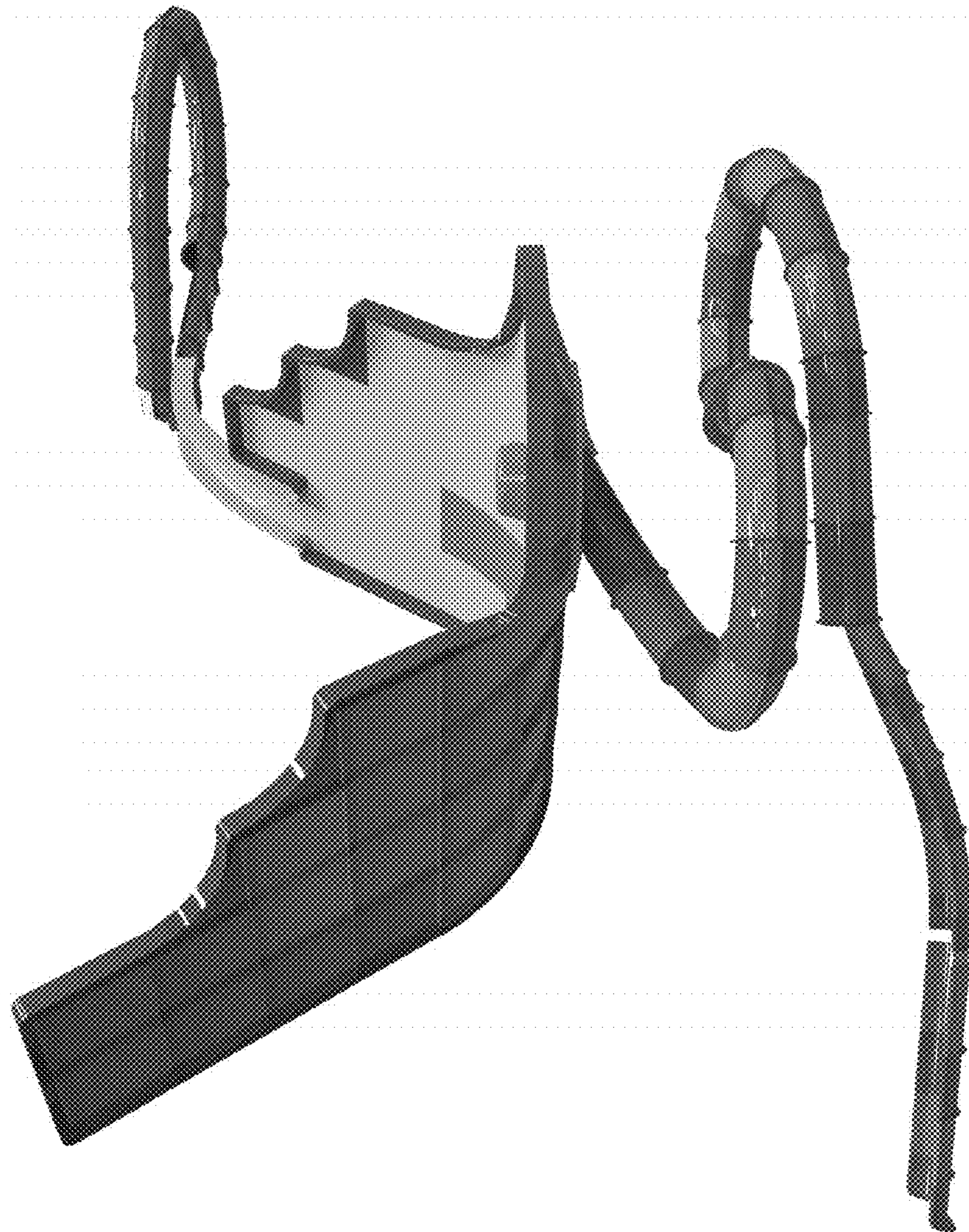


Figure 3

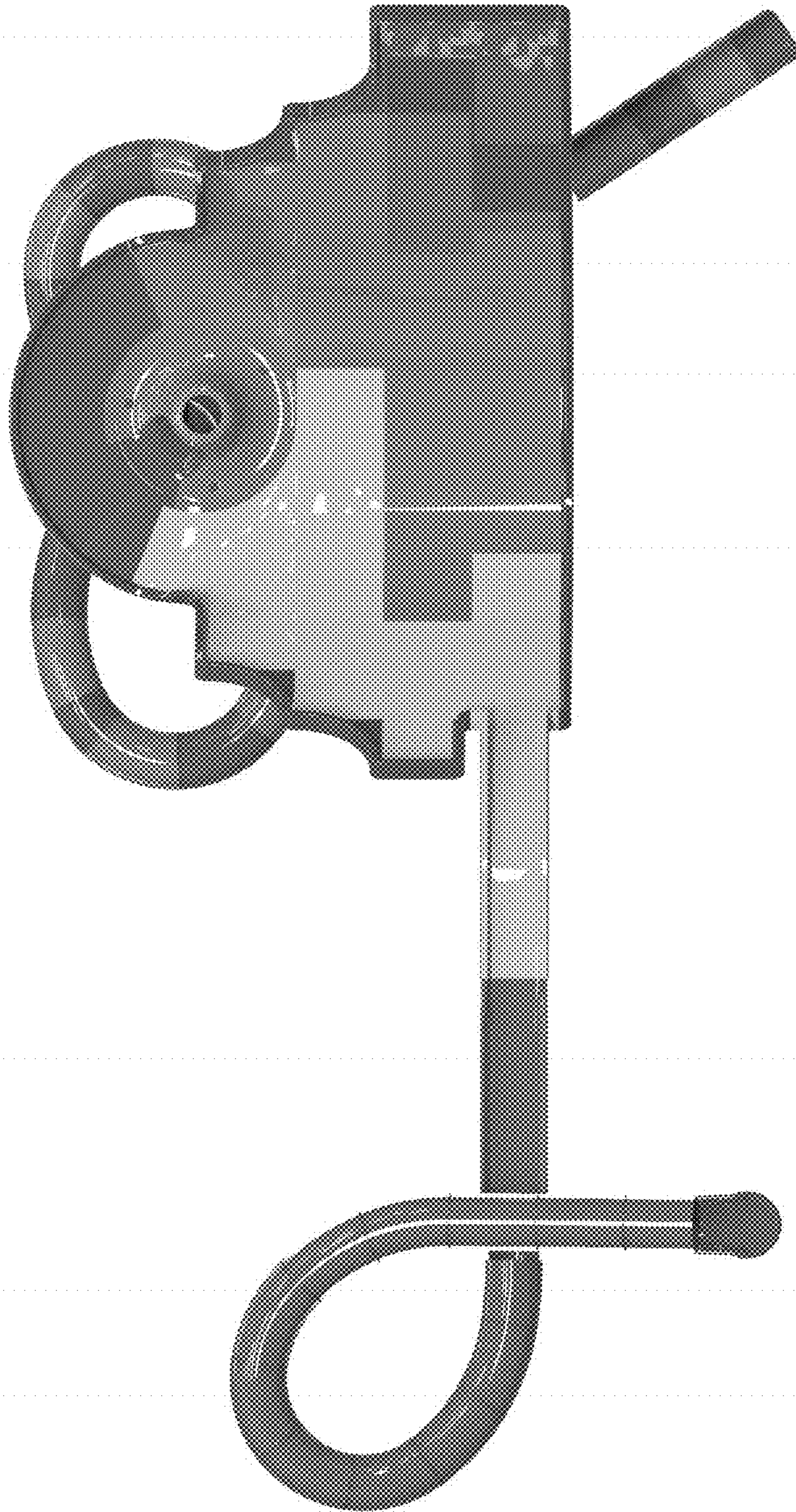


Figure 4

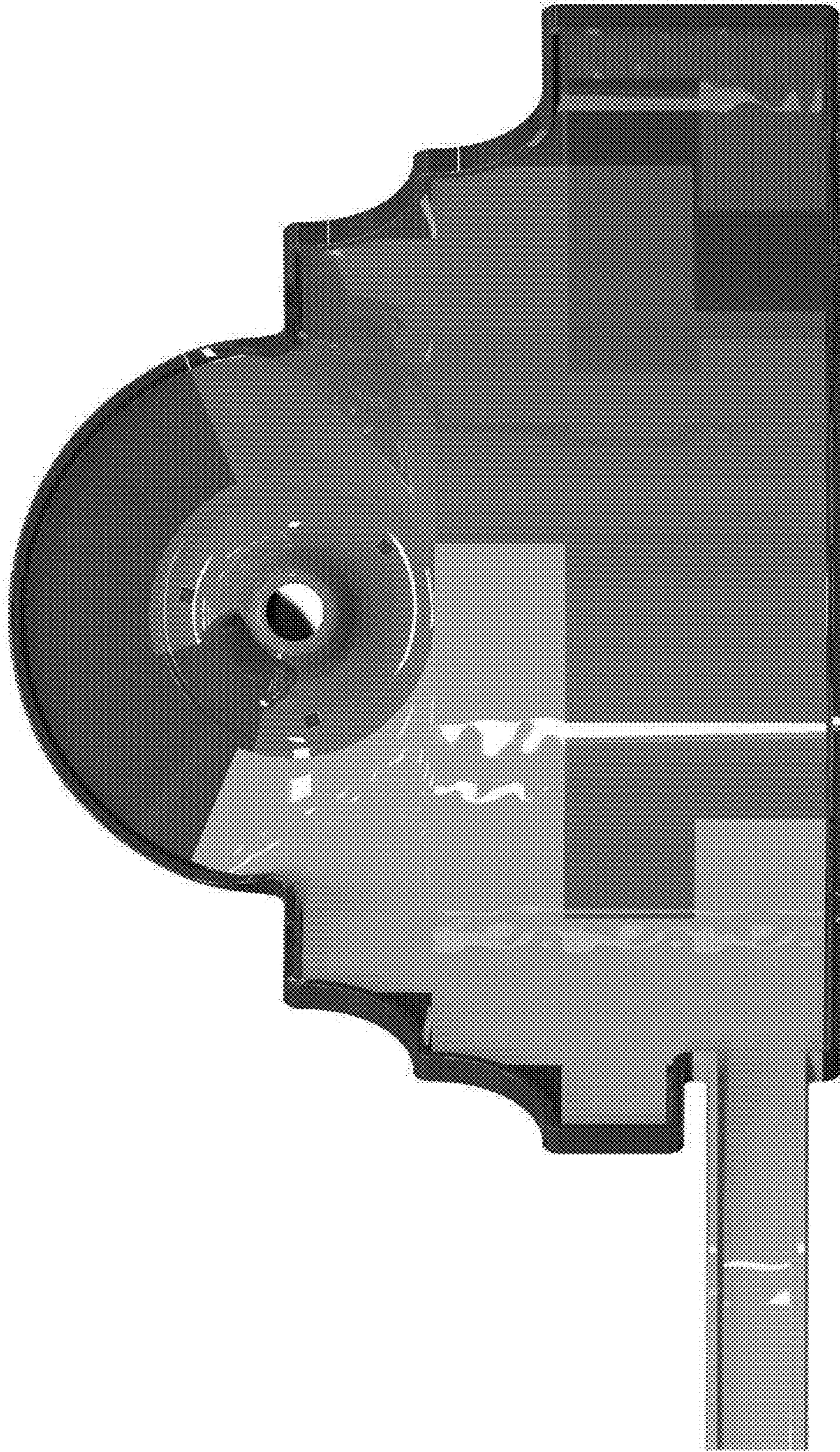


Figure 5



Figure 6



Figure 7



Figure 8



Figure 9

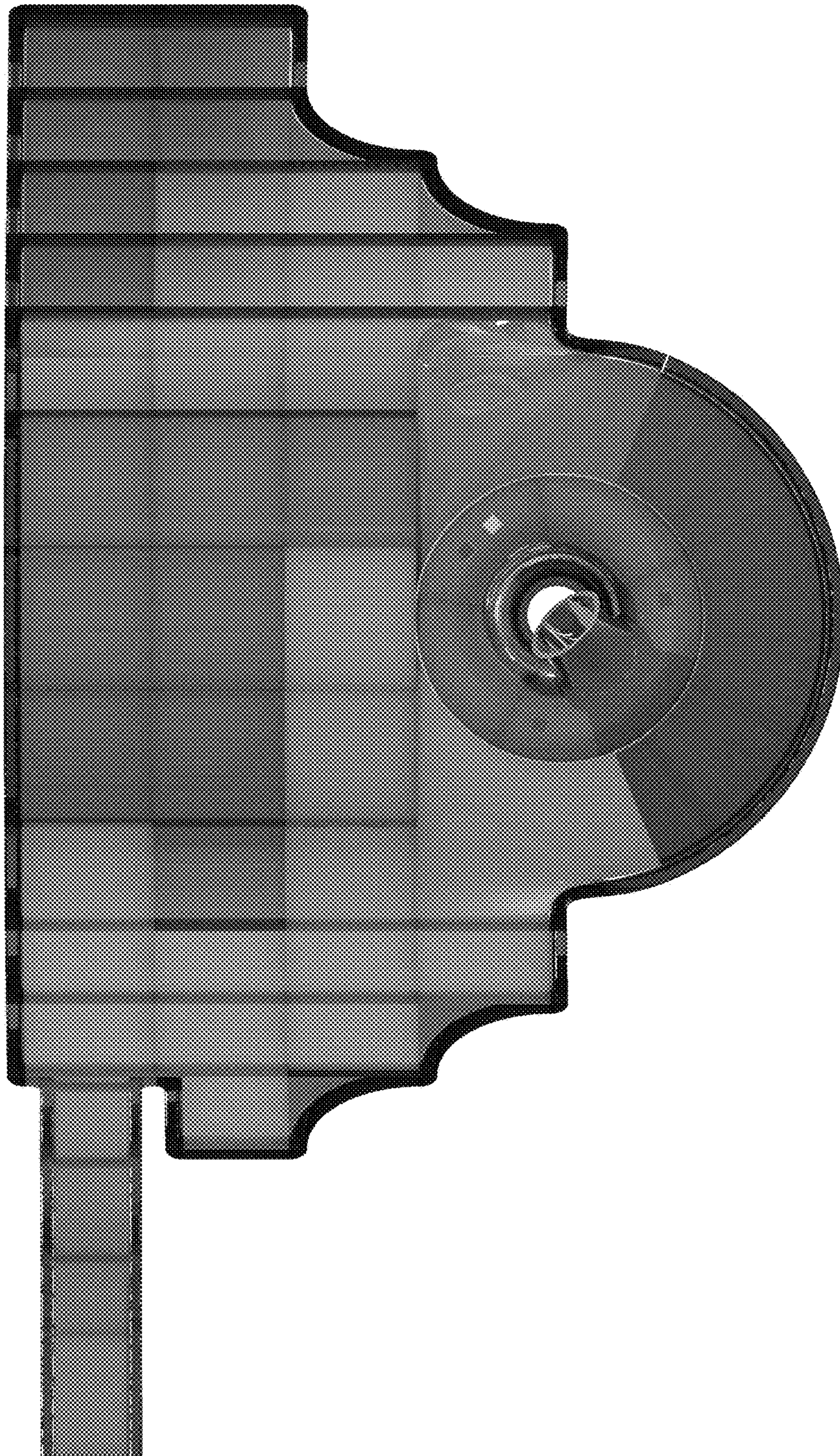


Figure 10

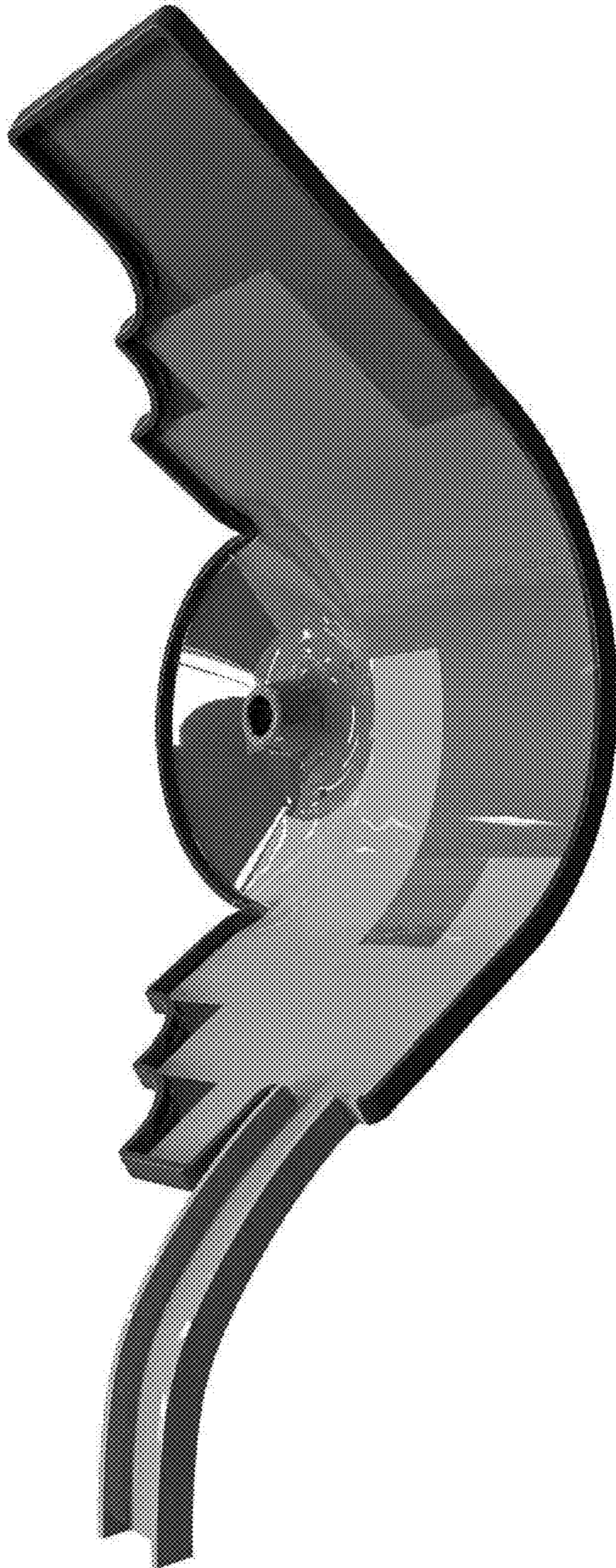


Figure 11



Figure 12



Figure 13



Figure 14