



US00D838798S

(12) **United States Design Patent** (10) **Patent No.:** **US D838,798 S**
Denney, Jr. et al. (45) **Date of Patent:** **** Jan. 22, 2019**

(54) **SEAT WITH SIMULATED ANIMAL PORTION**

B63B 472/129; B63C 9/11; B63C 2009/0023; B63C 9/08; B63C 2009/042; B63C 2009/046; A63B 31/10; A63B 31/11; A63B 31/12; A63B 31/00; A63B 31/08; A63H 23/10

(71) Applicant: **Contact Left, LLC**, Redmond, WA (US)

See application file for complete search history.

(72) Inventors: **John D. Denney, Jr.**, Seattle, WA (US); **Jeff Rodriguez**, Seattle, WA (US)

(56) **References Cited**

(73) Assignee: **Contact Left, LLC**, Seattle, WA (US)

U.S. PATENT DOCUMENTS

(**) Term: **15 Years**

D357,297 S * 4/1995 Newton D21/808
D461,871 S * 8/2002 Flowers D21/597

(21) Appl. No.: **29/639,639**

(Continued)

(22) Filed: **Mar. 7, 2018**

OTHER PUBLICATIONS

(51) **LOC (11) Cl.** **21-02**

Available Aug. 10, 2018, [online], [site visited Aug. 10, 2018]. Available from Internet, <URL:https://www.standupfloats.com/collections/browse-floats/products/inflatable-shark> (Year: 2018).*

(52) **U.S. Cl.**

USPC **D21/808**

(Continued)

(58) **Field of Classification Search**

USPC D21/398, 411, 412, 413, 414, 415, 416, D21/417, 418, 419, 420, 421, 436, 437, D21/438, 439, 440, 441, 447, 451, 453, D21/473, 483, 490, 584, 597, 606, 607, D21/608, 609, 626, 801, 802, 803, 804, D21/807, 808, 809, 810, 811, 815, 816, D21/818, 819, 820, 821, 828, 831, 832; D30/160; D12/5, 6, 316; D6/392, 395, D6/596, 601, 604, 605; D11/44, 47, 49, D11/58, 82, 100, 107, 134, 137, 158, D11/162; 114/253, 345, 346; 441/35, 441/66, 74, 40, 41, 42, 129, 130, 131, 441/132; 472/128, 129; D1/104, 107
CPC B63B 35/74; B63B 35/76; B63B 35/78; B63B 35/79; B63B 35/7906; B63B 35/7909; B63B 35/7913; B63B 35/7916; B63B 35/792; B63B 35/7923; B63B 35/7926; B63B 35/793; B63B 114/345; B63B 114/346; B63B 441/35; B63B 441/66; B63B 441/40; B63B 441/41; B63B 441/129; B63B 441/13; B63B 441/131; B63B 441/132; B63B 472/128;

Primary Examiner — Cathron C Brooks

Assistant Examiner — Katrina N Gonzalez

(74) *Attorney, Agent, or Firm* — Puget Patent; Michael Gibbons

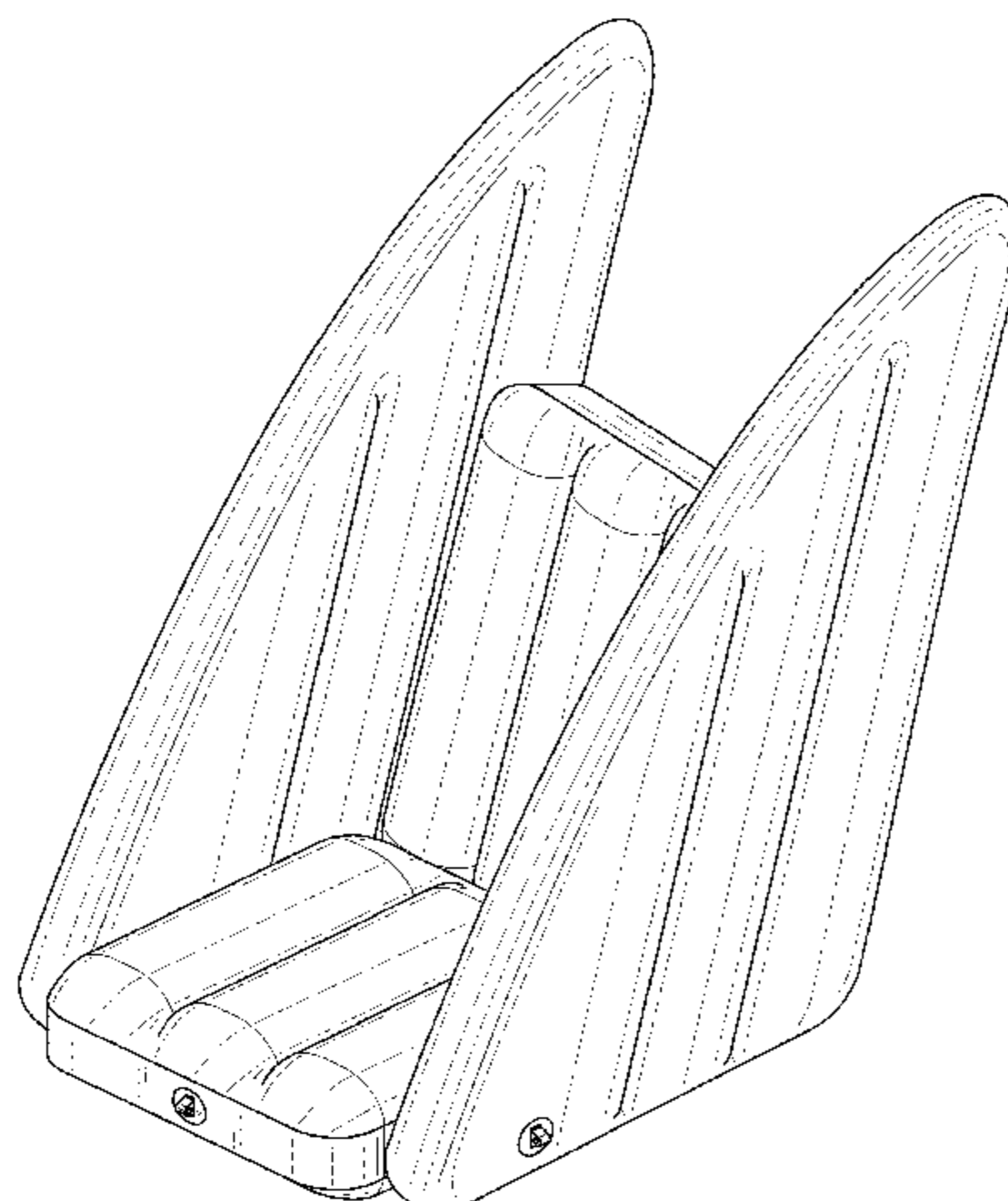
(57) **CLAIM**

The ornamental design for a seat with simulated animal portion, as shown and described.

DESCRIPTION

FIG. 1 is a perspective view of a seat with simulated animal portion showing our new design; FIG. 2 is a front view thereof; FIG. 3 is a rear view thereof; FIG. 4 is a right side view thereof; FIG. 5 is a left side view thereof; FIG. 6 is a top view thereof; and, FIG. 7 is a bottom view thereof.

1 Claim, 7 Drawing Sheets



(56)

References Cited

U.S. PATENT DOCUMENTS

D501,112 S *	1/2005	Kasatshko	D21/809
D554,224 S *	10/2007	Peterson	D21/803
D576,243 S *	9/2008	Moseley	D21/803
D711,488 S *	8/2014	Lau	D21/803
D712,677 S *	9/2014	Clute	D6/390
D744,052 S *	11/2015	Rubey	D21/803
D782,593 S *	3/2017	Osimo	D21/803
D815,709 S *	4/2018	Wang	D21/818
D821,521 S *	6/2018	Peterson	D21/803
D825,016 S *	8/2018	Wang	D21/818

OTHER PUBLICATIONS

Available Apr. 18, 2018, [online], [site visited Aug. 10, 2018].
Available from Internet, <URL:<https://www.facebook.com/StandUpFloats/photos/a.1931830443809077.1073741828.1849761052016017/2033688353623285/?type=3&theater>> (Year: 2018).*

Available Jun. 9, 2018, [online], [site visited Aug. 11, 2018].
Available from Internet, <URL:<http://sidewalkdelivery.co/dolphin-pool-float/>> (Year: 2018).*

* cited by examiner

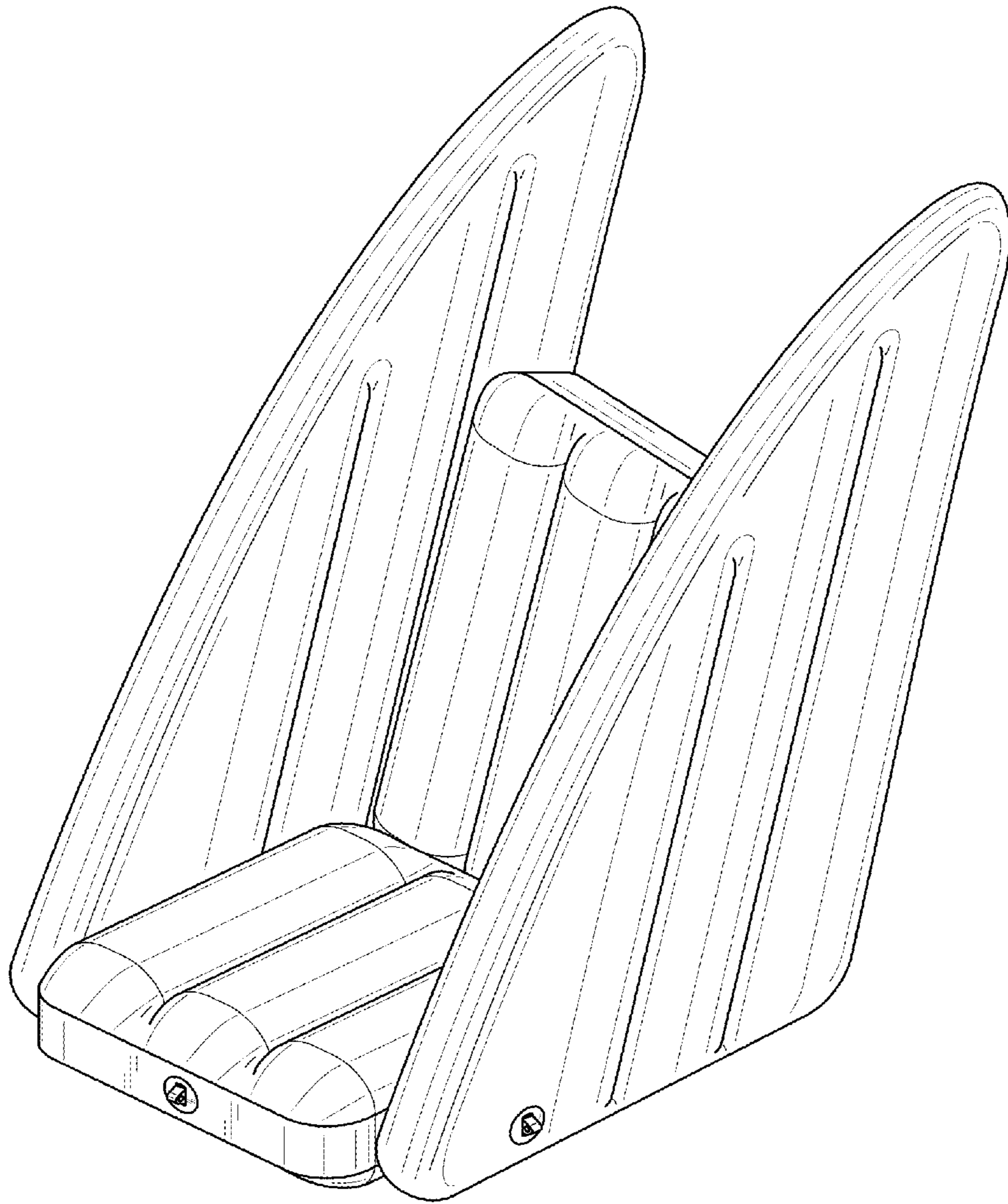


FIG. 1

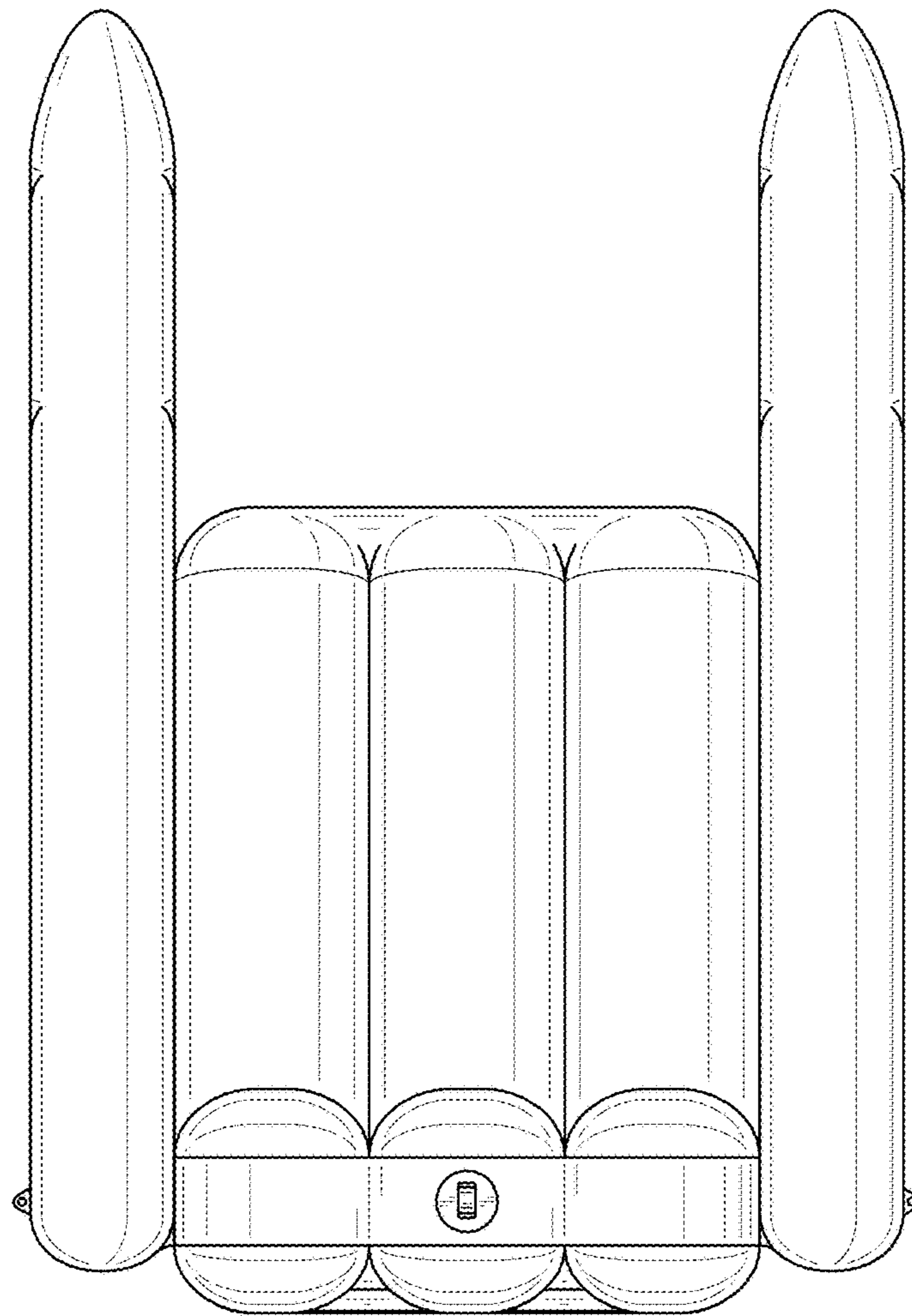


FIG. 2

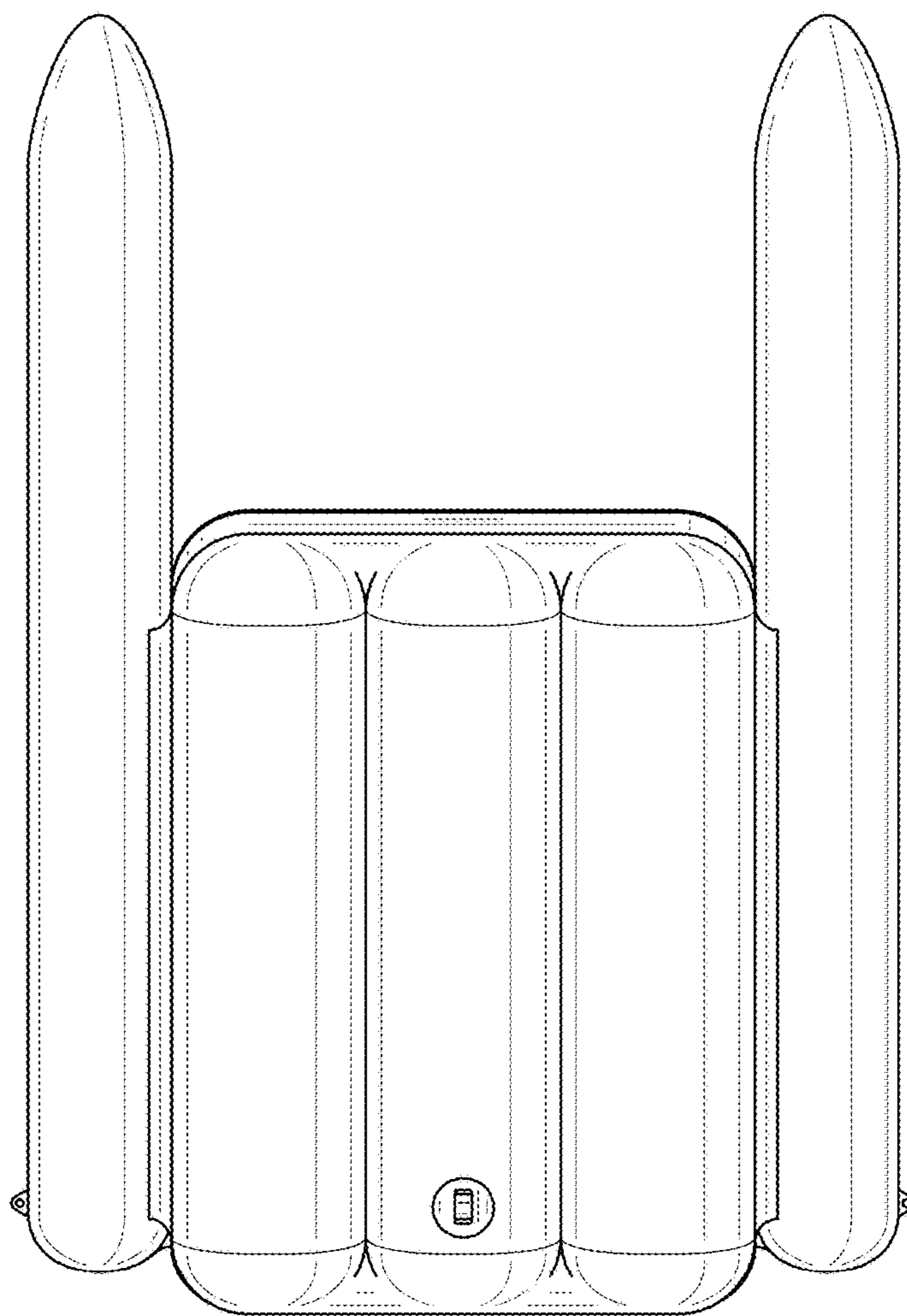


FIG. 3

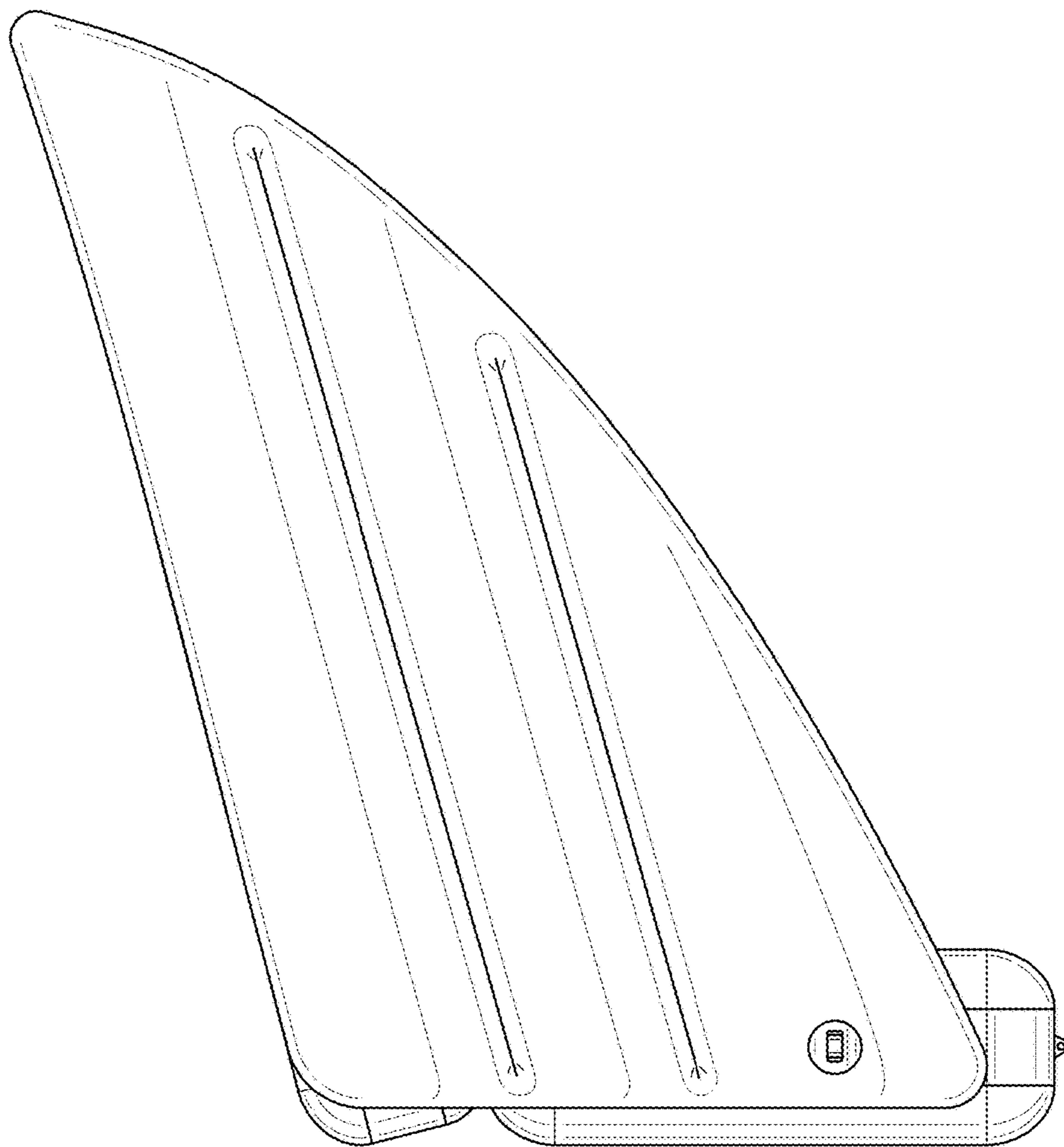


FIG. 4

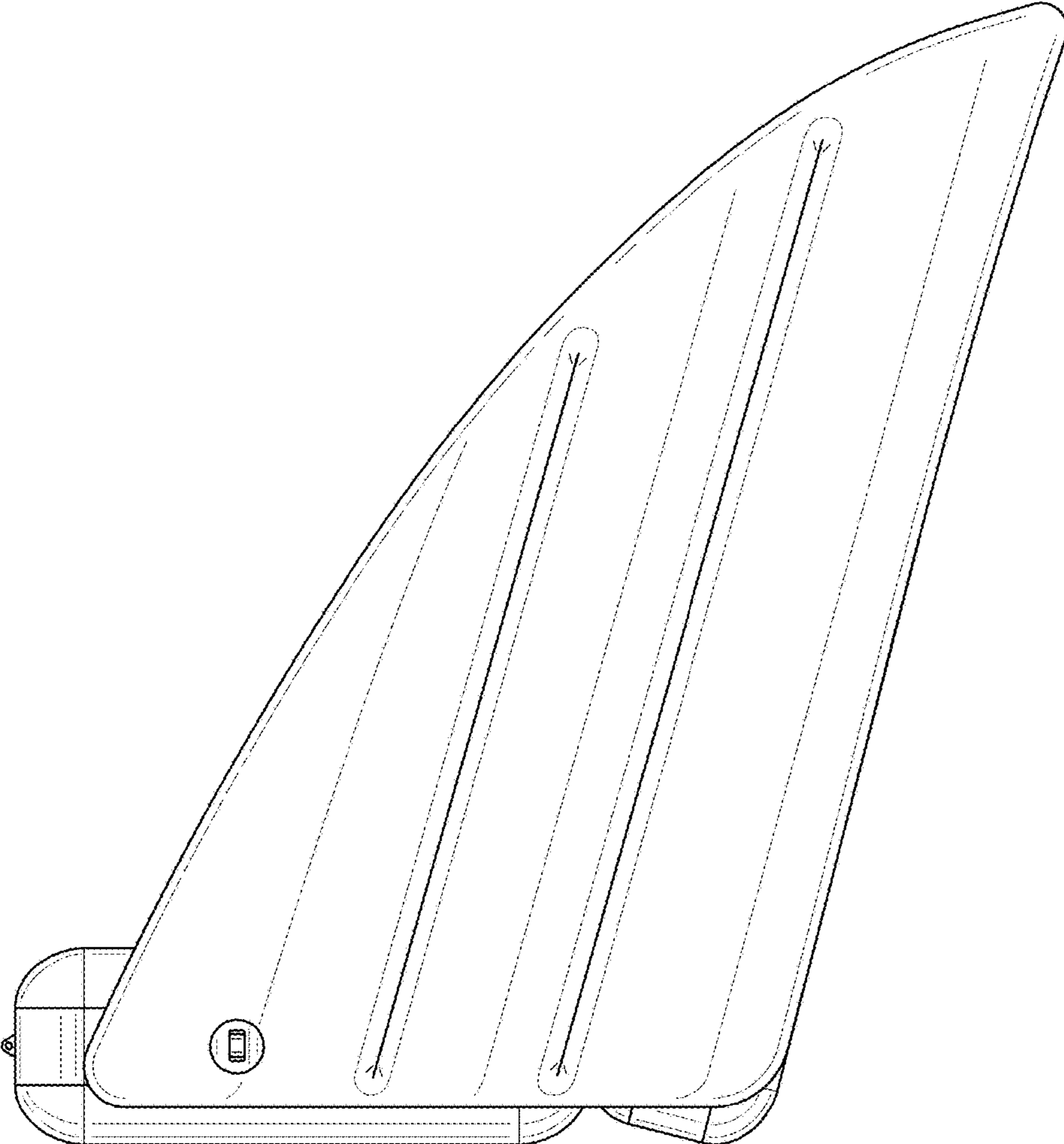


FIG. 5

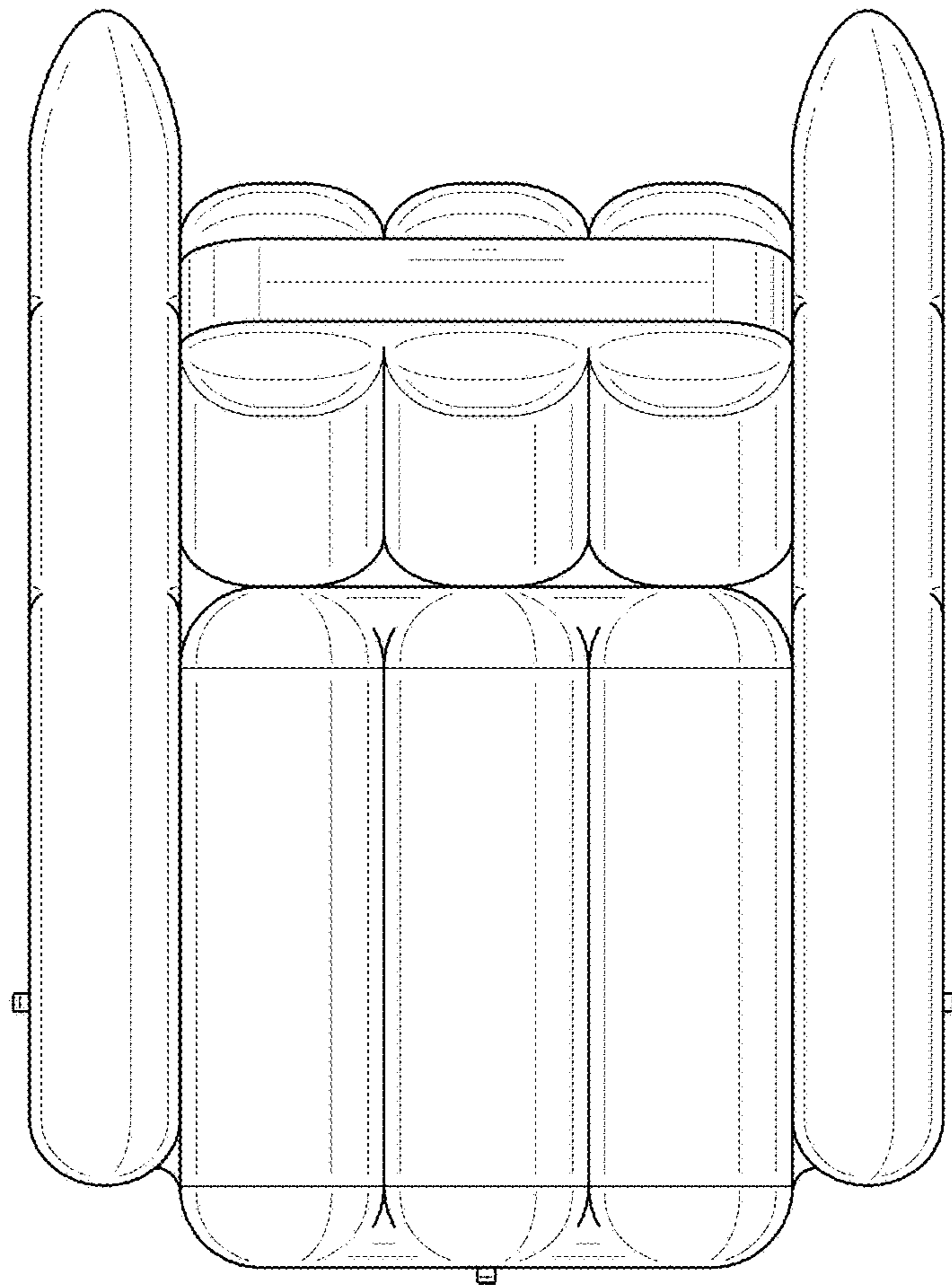


FIG. 6

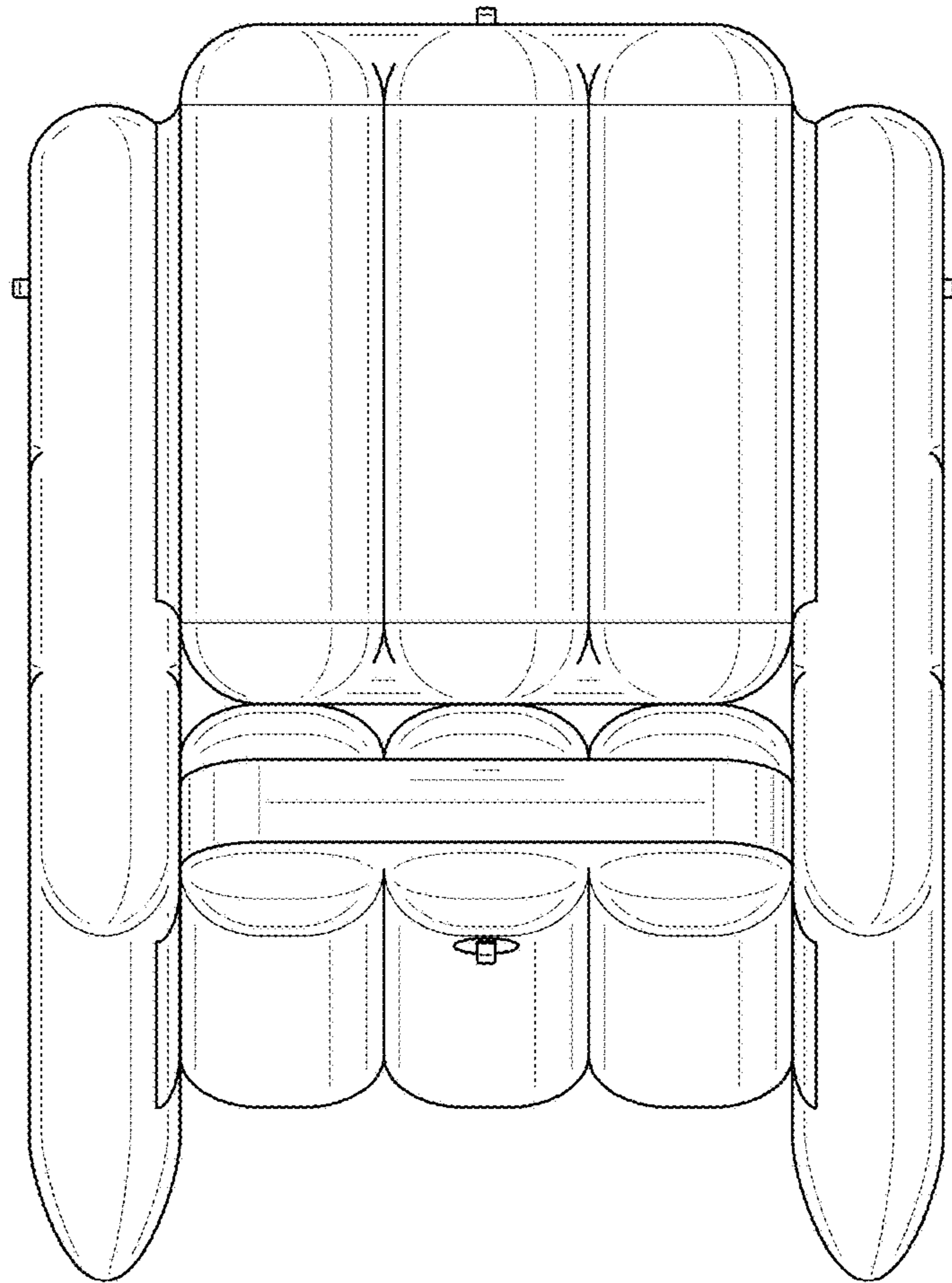


FIG. 7