



US00D838796S

(12) **United States Design Patent**
Beittel

(10) **Patent No.:** **US D838,796 S**

(45) **Date of Patent:** **** Jan. 22, 2019**

- (54) **ASYMMETRIC SWIM FIN**
- (71) Applicant: **FINIS INC.**, Livermore, CA (US)
- (72) Inventor: **David F. Beittel**, San Leandro, CA (US)
- (73) Assignee: **FINIS INC.**, Livermore, CA (US)
- (**) Term: **15 Years**
- (21) Appl. No.: **29/620,604**
- (22) Filed: **Mar. 13, 2017**
- (51) **LOC (11) Cl.** **21-02**
- (52) **U.S. Cl.**
USPC **D21/806**
- (58) **Field of Classification Search**
USPC D21/597, 599, 646, 769, 770, 771, 778,
D21/792, 801, 803, 804, 805, 806, 807,
D21/808, 810, 814, 818, 819
CPC A41D 13/0518; A63B 2208/03; A63B
2225/605; A63B 31/00; A63B 31/10;
A63B 69/14; A63B 31/11; B63B 21/66;
B63C 11/02
See application file for complete search history.

- 5,290,194 A * 3/1994 Sneddon A63B 31/11
441/64
- D363,105 S * 10/1995 Parr D21/806
- D377,073 S * 12/1996 Chang D21/806
- D594,077 S * 6/2009 Vassallo D21/806
- 9,855,464 B2 * 1/2018 Nguyen A63B 31/11

OTHER PUBLICATIONS

<https://www.finisswim.com/shop/technical/training-fins>—
Retrieved on Mar. 23, 2018.*
<http://www.hungrywalrus.com/2013/03/21/pod-pf3-evolution-swim-fins/>—
Published Mar. 21, 2013.*

* cited by examiner

Primary Examiner — Khawaja Anwar
Assistant Examiner — Mojtaba Tehrani
(74) *Attorney, Agent, or Firm* — James A. Gavney, Jr.;
JAG Patent Services

(57) **CLAIM**

I claim the ornamental design for an asymmetric swim fin, as shown and described.

DESCRIPTION

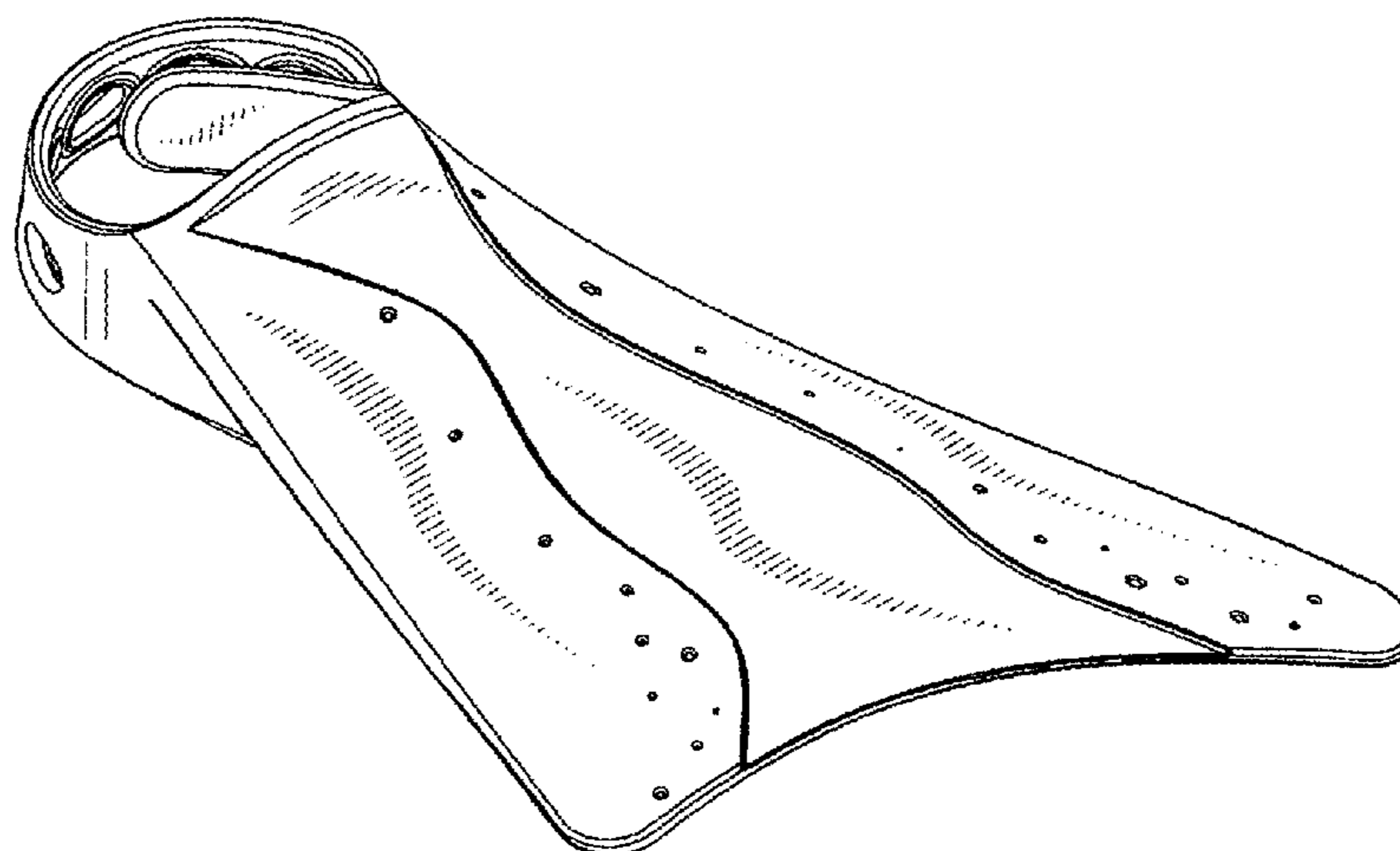
FIG. 1 is a top perspective view of an asymmetric swim fin showing my new design;
FIG. 2 is a top plan view thereof;
FIG. 3 is a bottom plan view thereof;
FIG. 4 is a front plan view thereof;
FIG. 5 is a back plan view thereof;
FIG. 6 is a left side plan view thereof; and,
FIG. 7 is a right side plan view thereof.
The broken lines shown on the drawings depict environment and form no part of the claimed design.

1 Claim, 3 Drawing Sheets

(56) **References Cited**

U.S. PATENT DOCUMENTS

- 2,321,009 A * 6/1943 Churchill A63B 31/11
441/64
- RE23,006 E * 6/1948 Churchill A63B 31/11
441/64
- 2,865,033 A * 12/1958 Jayet A63B 31/11
441/64
- 4,778,423 A * 10/1988 Ciccotelli A63B 31/11
441/64
- 5,161,309 A * 11/1992 Graves A63B 31/11
182/134



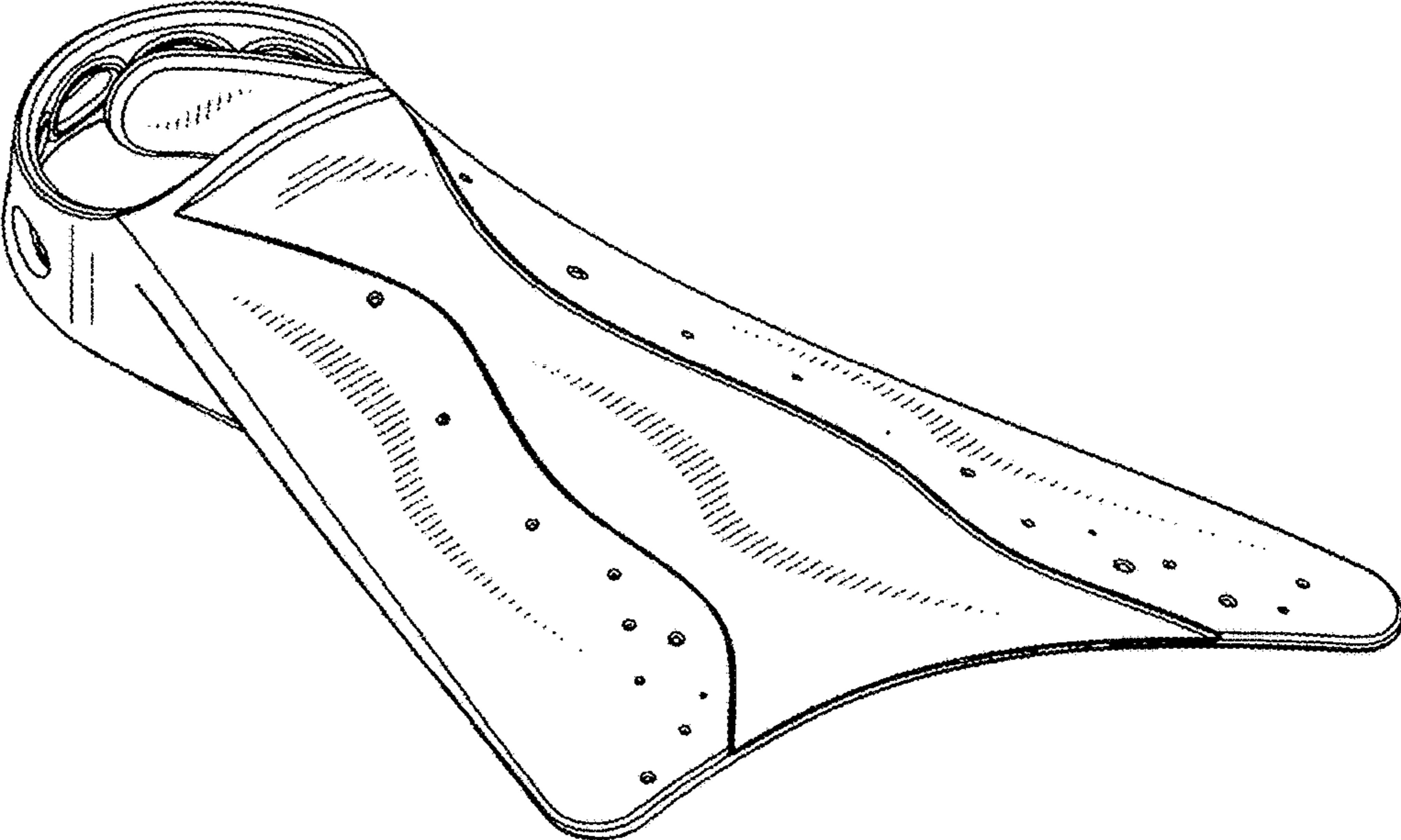


FIG. 1

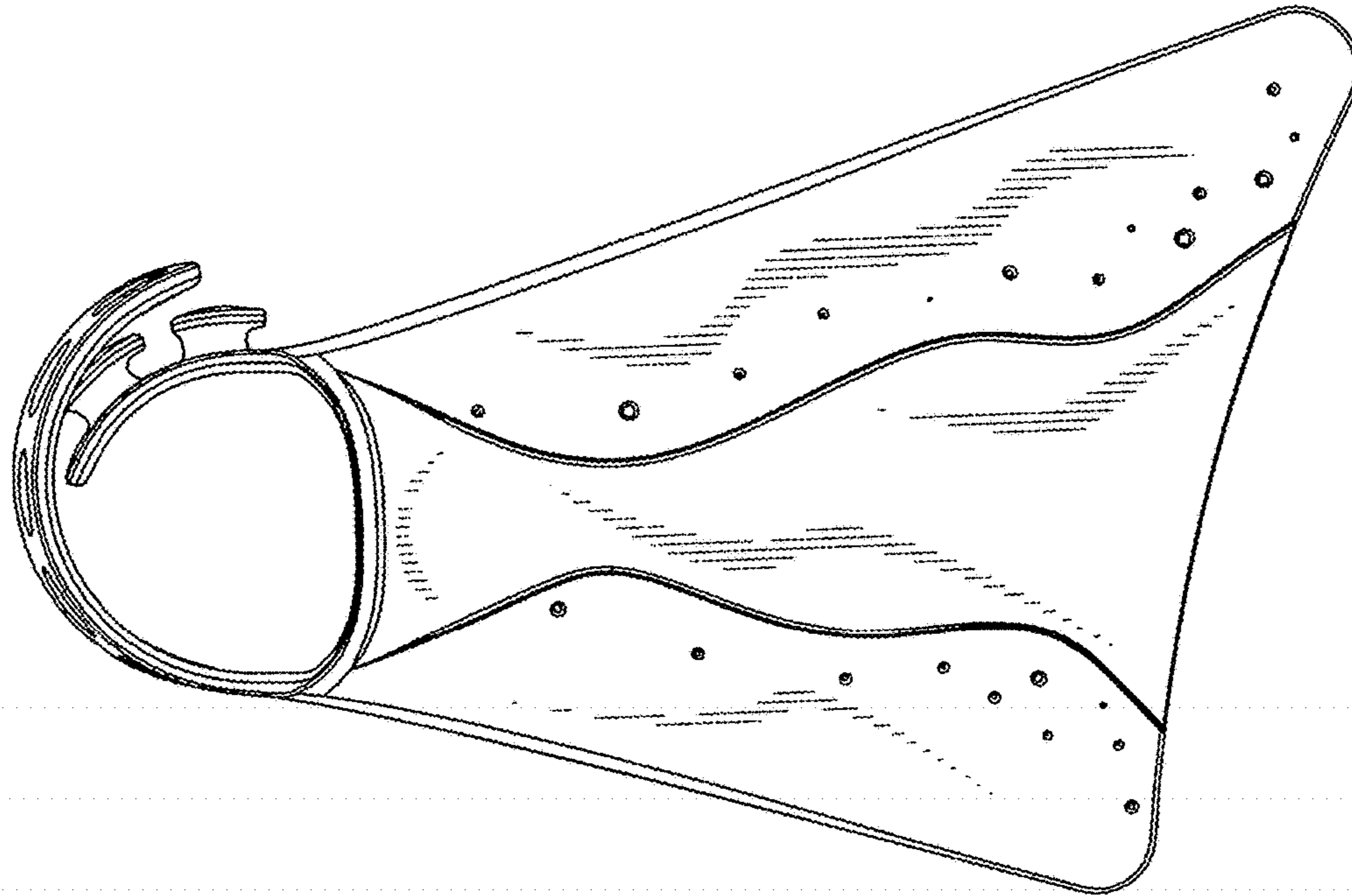


FIG. 2

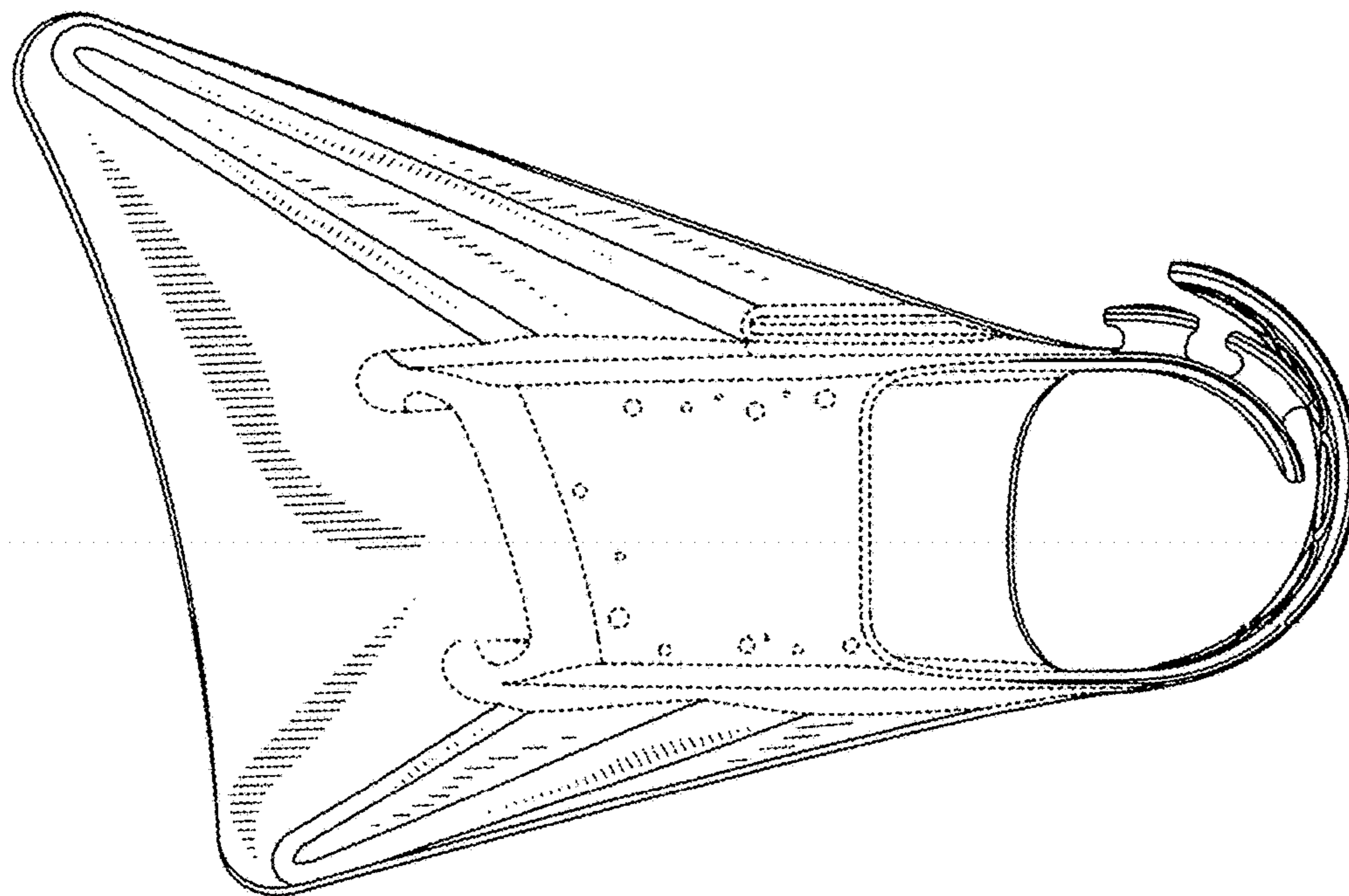


FIG. 3

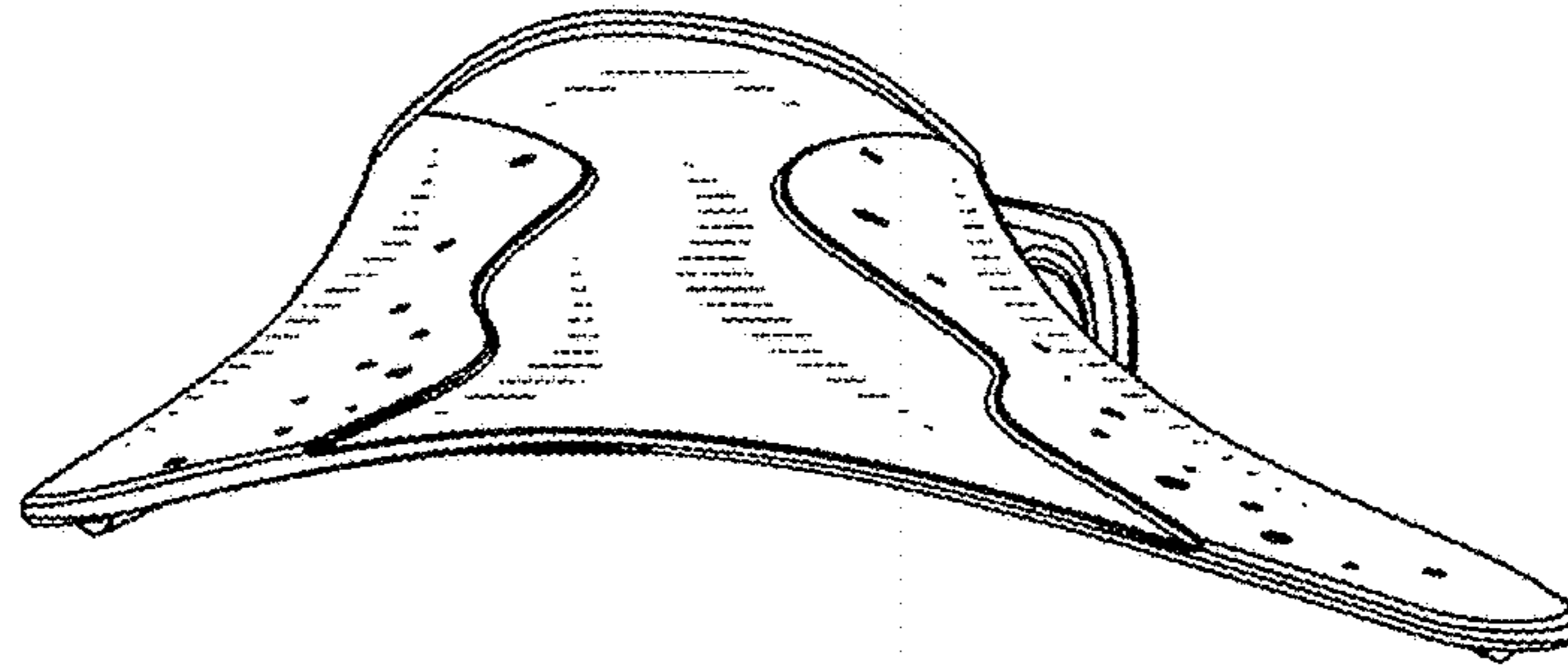


FIG. 4

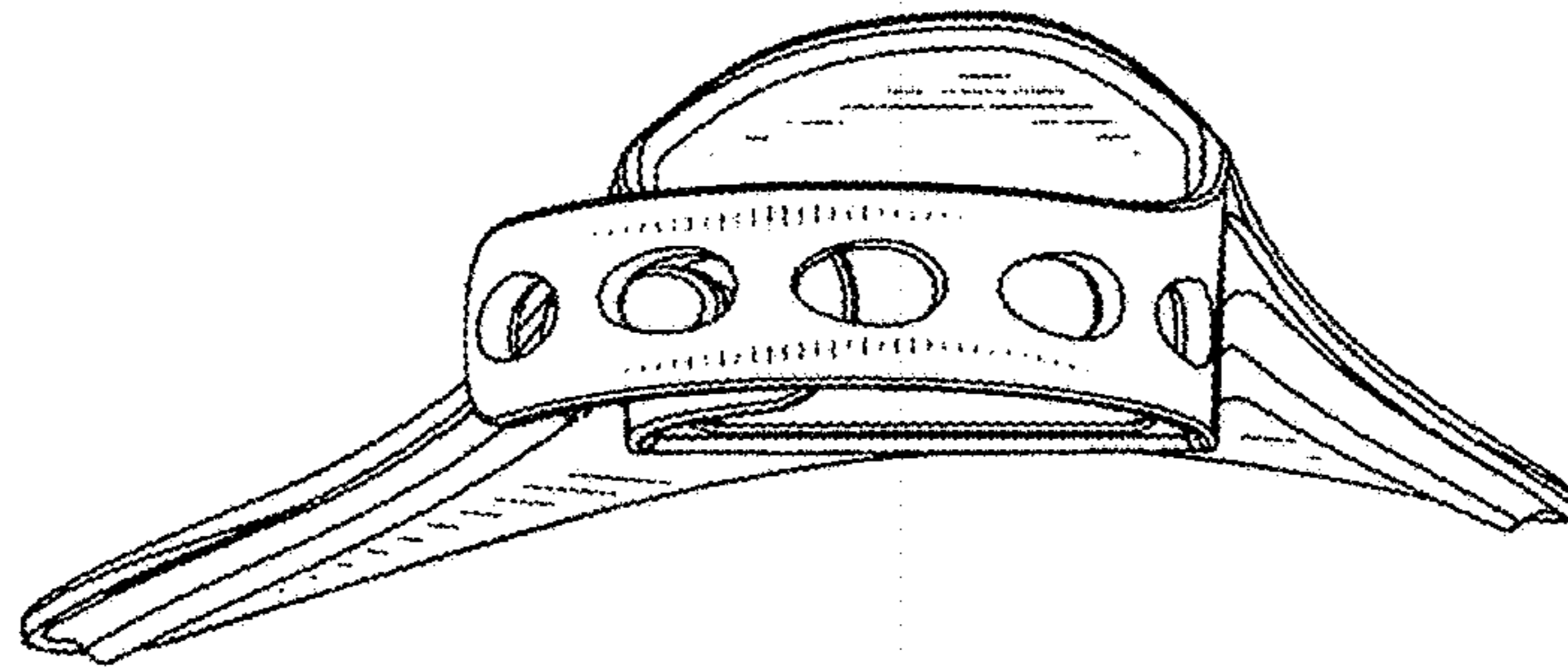


FIG. 5

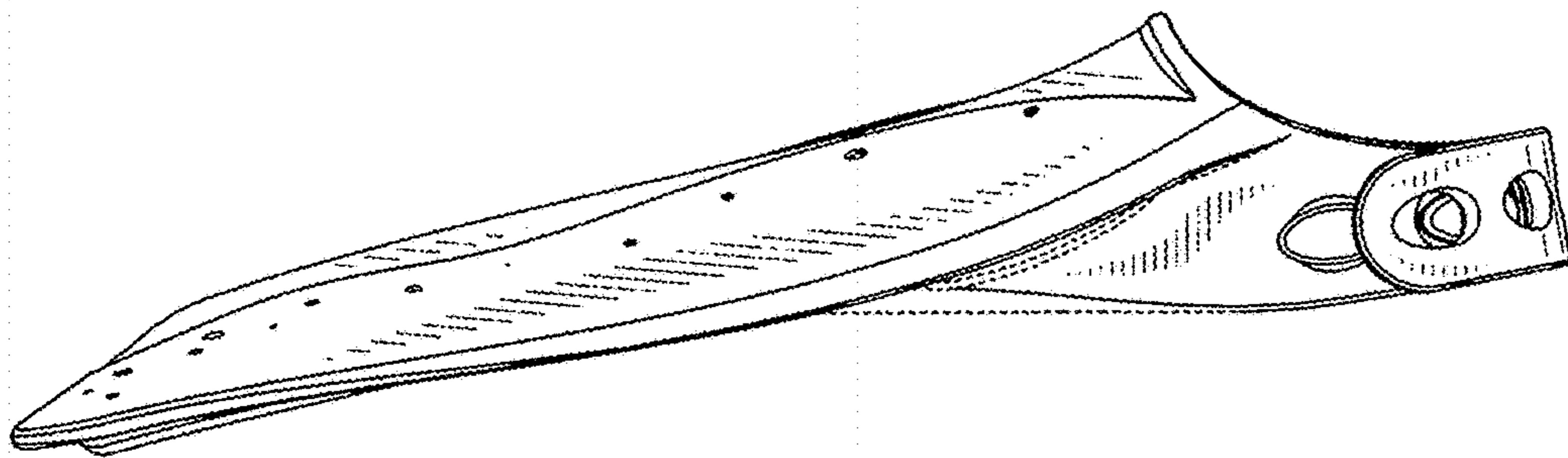


FIG. 6

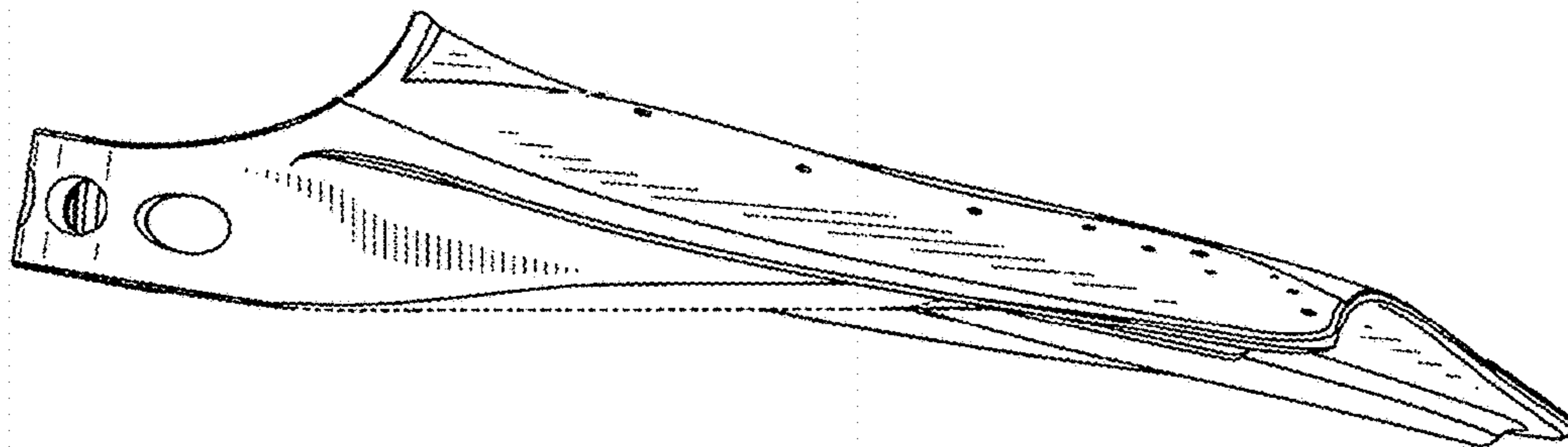


FIG. 7