



US00D838795S

(12) **United States Design Patent** (10) **Patent No.:** **US D838,795 S**  
**Smiles** (45) **Date of Patent:** **\*\* Jan. 22, 2019**

(54) **EMERGENCY FLOTATION DEVICE**

(71) Applicant: **Scott William Smiles**, Corindi Beach (AU)

(72) Inventor: **Scott William Smiles**, Corindi Beach (AU)

(\*\*) Term: **14 Years**

(21) Appl. No.: **29/526,083**

(22) Filed: **May 6, 2015**

(30) **Foreign Application Priority Data**

Nov. 18, 2014 (AU) ..... 201415882

(51) **LOC (11) Cl.** ..... **21-02**

(52) **U.S. Cl.**  
USPC ..... **D21/803**

(58) **Field of Classification Search**  
USPC ..... D12/3, 5, 300, 316; D6/392, 601, 604;  
D7/590, 601, 619.1; D8/71, 203.6, 272,  
D8/276; D3/201, 202; D2/731, 732,  
D2/733, 828, 829, 831; D21/770,  
D21/801-805, 807  
CPC .. B63B 35/76; B63B 7/00; B63B 7/06; B63B  
7/08; B63B 114/253; B63B  
114/345-114/346; B63B 441/35; B63B  
441/66; B63B 441/74; B63B  
441/40-441/42; B63B 441/129-441/132;  
B63B 472/128-472/129; A61G 1/00;  
A62B 1/00; A62B 1/02; B63C 9/00  
See application file for complete search history.

(56) **References Cited**

**U.S. PATENT DOCUMENTS**

D362,546 S \* 9/1995 Mundorf ..... D3/273  
D383,306 S \* 9/1997 Pennoyer ..... D3/294  
D426,705 S \* 6/2000 Fang ..... D3/276

D439,408 S \* 3/2001 Gibson ..... D3/276  
D462,520 S \* 9/2002 Snider ..... D3/276  
D566,392 S \* 4/2008 Aglassinger ..... D3/282  
D614,397 S \* 4/2010 Benedetti ..... D3/203.6  
D619,801 S \* 7/2010 Ma ..... D3/203.6  
D636,994 S \* 5/2011 Okuda ..... D3/276  
D651,393 S \* 1/2012 Coleman ..... D3/203.6  
D681,937 S \* 5/2013 Peterson ..... D3/203.6  
D719,352 S \* 12/2014 Shitrit ..... D3/282  
D753,394 S \* 4/2016 Brunner ..... D3/276  
D756,645 S \* 5/2016 Haas ..... D3/272  
D771,379 S \* 11/2016 Minneman ..... D3/262  
D785,938 S \* 5/2017 Ou ..... D3/282  
2010/0163763 A1 \* 7/2010 Bradford ..... B63C 9/24  
251/28  
2012/0209678 A1 \* 8/2012 Miller ..... G06Q 30/06  
705/14.16

(Continued)

**OTHER PUBLICATIONS**

“Pelican case,” [online], posted Nov. 1, 2006, retrieved Aug. 12, 2016, retrieved from <<http://www.turbosquid.com/3d-models/3d-3ds-pelican-case/328850>>.\*

*Primary Examiner* — Shannon W Morgan  
*Assistant Examiner* — Altaira J Swangin  
(74) *Attorney, Agent, or Firm* — Maier & Maier, PLLC

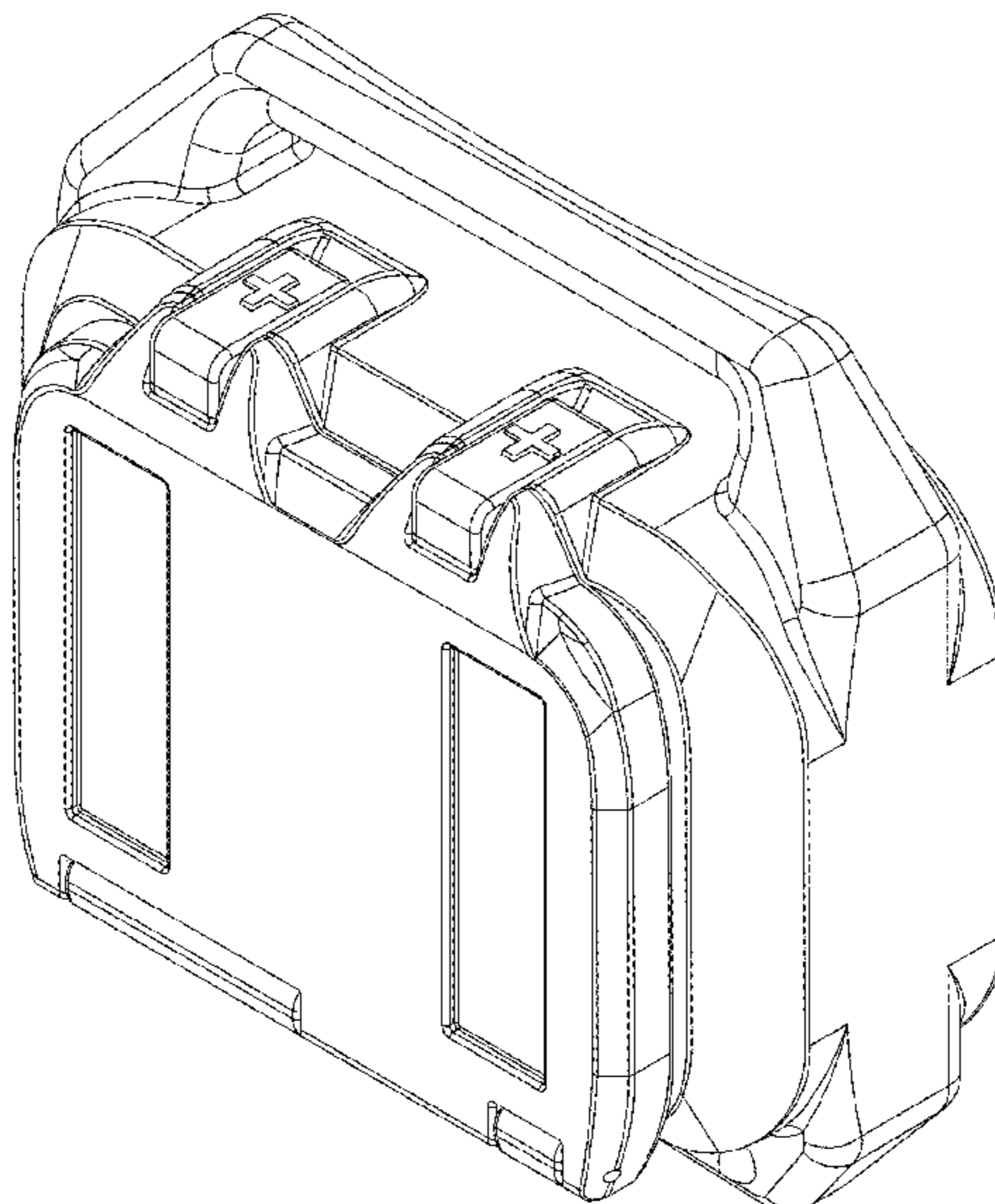
(57) **CLAIM**

The ornamental design for an emergency flotation device, as shown and described.

**DESCRIPTION**

FIG. 1 is a top plan view of an emergency flotation device; FIG. 2 is a front elevational view thereof; FIG. 3 is a right side elevational view thereof; the left side view being an identical mirror image thereof; and, FIG. 4 is a right side perspective view thereof. The broken lines illustrate portions of the emergency flotation device and form no part of the claimed design.

**1 Claim, 4 Drawing Sheets**



(56)

**References Cited**

U.S. PATENT DOCUMENTS

2014/0057604 A1\* 2/2014 Kolanowski ..... G06F 17/30879  
455/412.1  
2016/0046355 A1\* 2/2016 Faletra ..... B63C 9/04  
441/41

\* cited by examiner

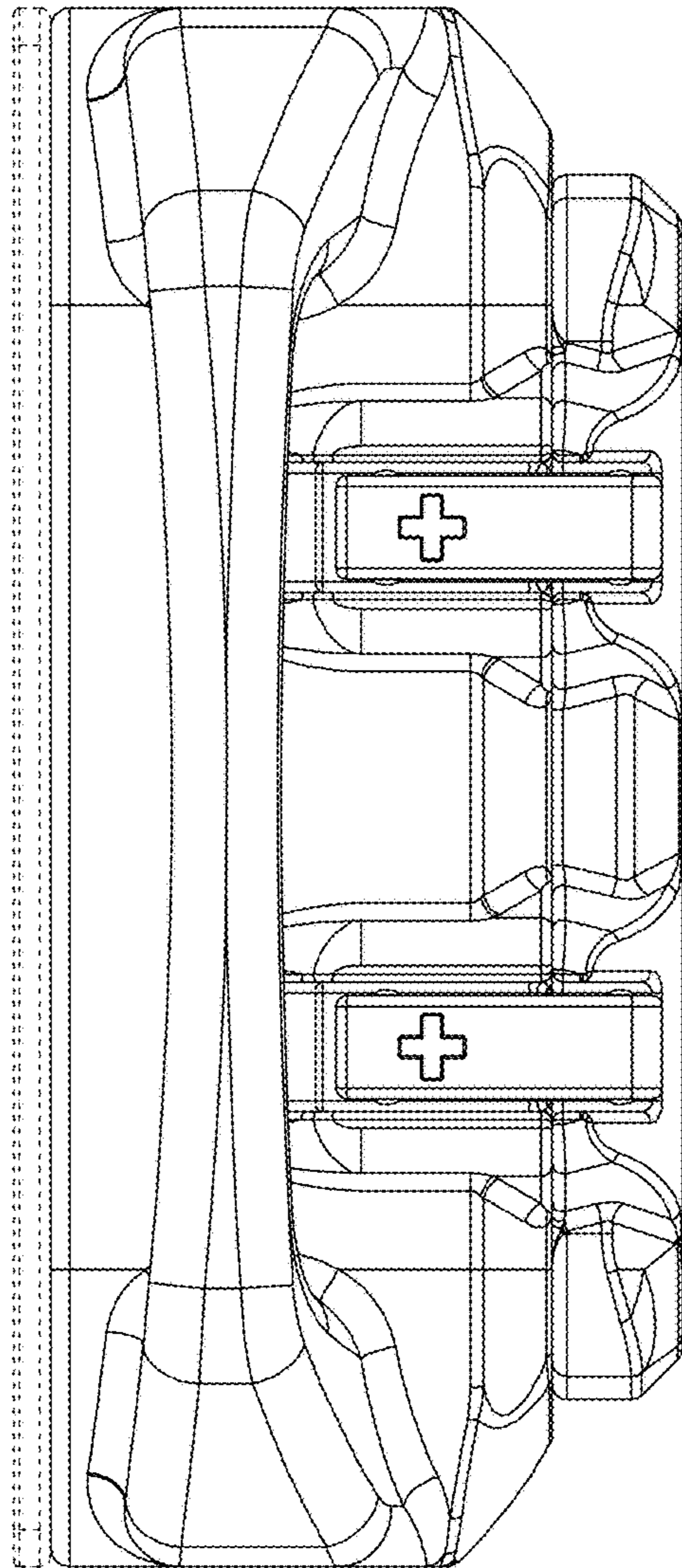


FIG. 1

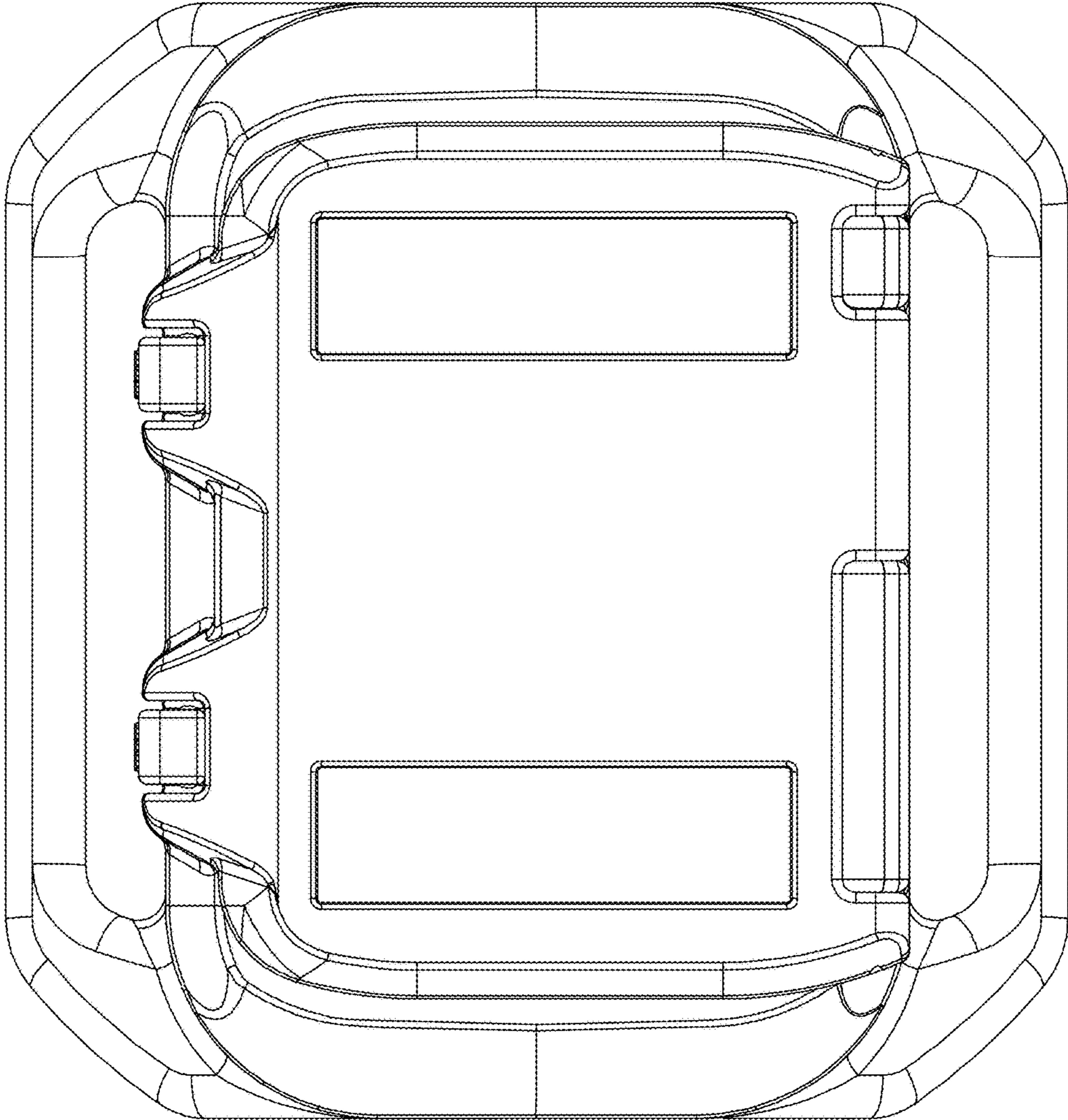


FIG. 2

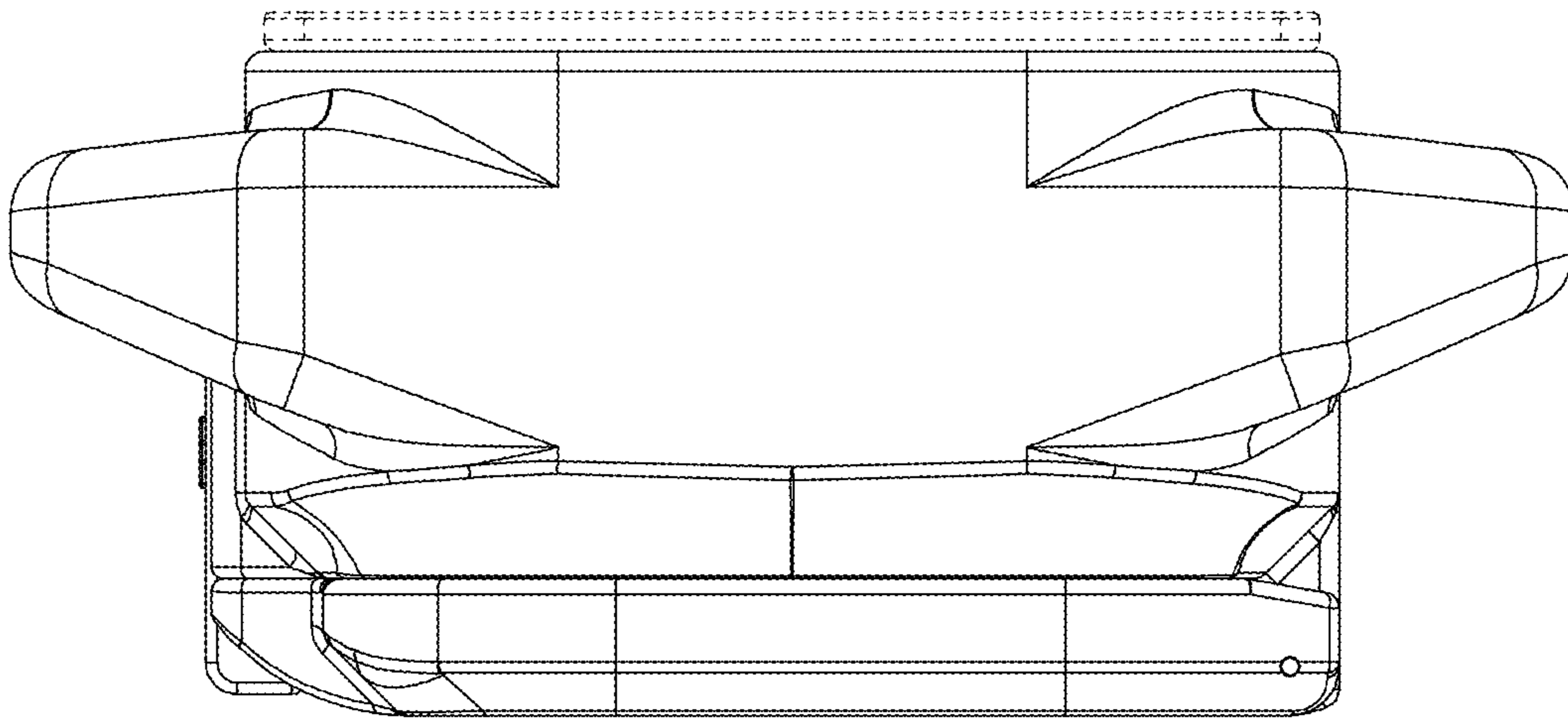


FIG. 3

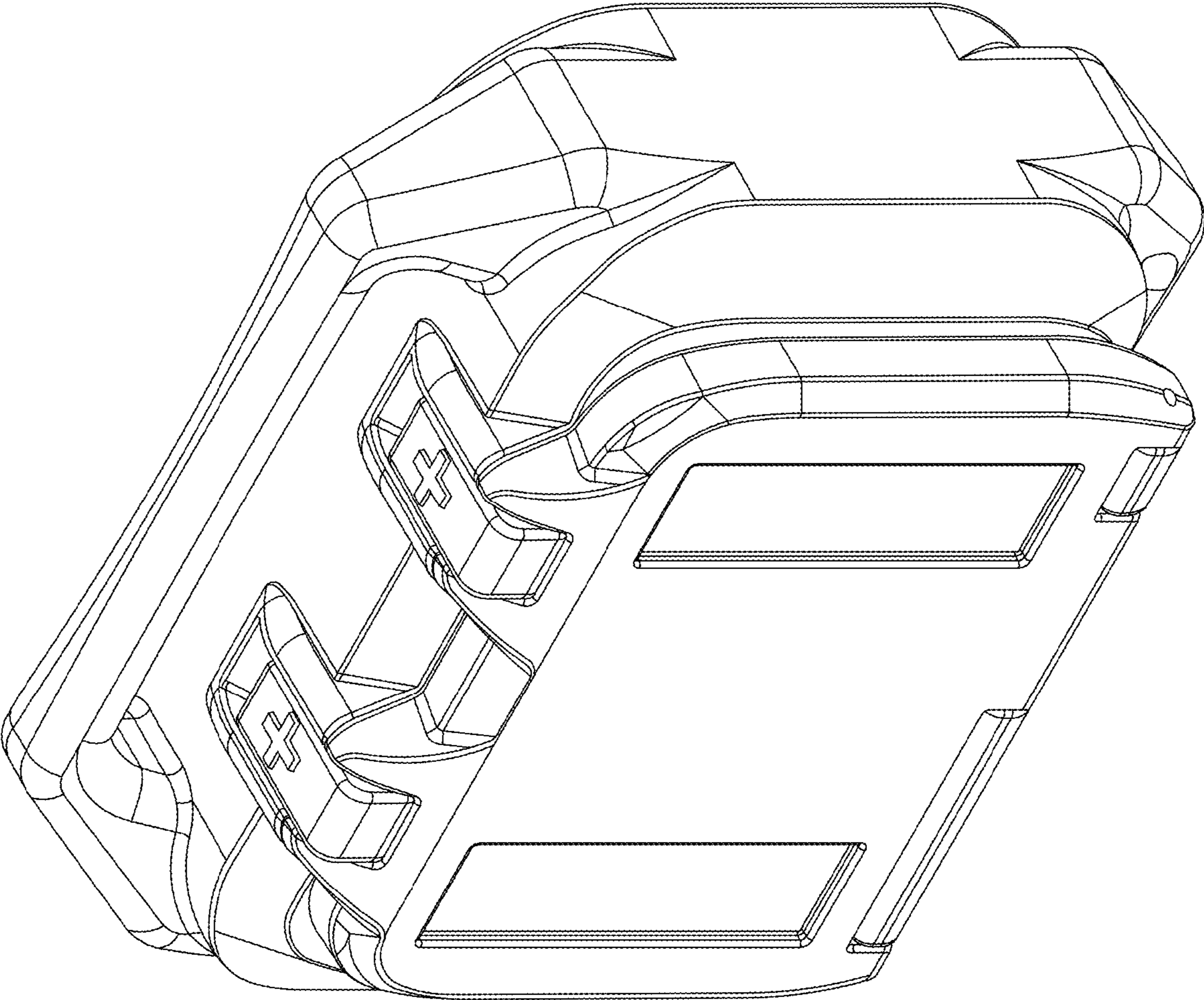


FIG. 4