



US00D838793S

(12) **United States Design Patent**
Pang

(10) **Patent No.:** **US D838,793 S**

(45) **Date of Patent:** **** Jan. 22, 2019**

(54) **ELECTRICAL TRANSPORTATION TOOL**

(71) Applicant: **Walnut Technology Limited**, Kowloon (CN)

(72) Inventor: **Yik Hang Pang**, Hong Kong (CN)

(73) Assignee: **Walnut Technology Limited**, Kowloon (CN)

(**) Term: **15 Years**

(21) Appl. No.: **29/638,095**

(22) Filed: **Feb. 23, 2018**

(51) **LOC (11) Cl.** **21-02**

(52) **U.S. Cl.**
USPC **D21/765**

(58) **Field of Classification Search**
USPC D21/419, 421, 423, 426, 662, 760, 765,
D21/766, 769, 771, 776, 803
CPC A63C 17/01; A63C 17/011; A63C 17/012;
A63C 17/014; A63C 17/015; A63C
17/02; A63C 17/26; A63C 5/003; B60Q
1/326; B62K 3/001
See application file for complete search history.

(56) **References Cited**

U.S. PATENT DOCUMENTS

D692,079 S	*	10/2013	Mackay	D21/765
D703,780 S	*	4/2014	Fox	D21/765
D709,154 S	*	7/2014	Brotherson	D21/765
D720,823 S	*	1/2015	Norman	D21/765
D720,824 S	*	1/2015	Norman	D21/765
D723,123 S	*	2/2015	Norman	D21/765
D723,642 S	*	3/2015	Fissell	D21/765
D724,166 S	*	3/2015	Hamborg	D21/765
D725,733 S	*	3/2015	Norman	D21/765

D728,048 S	*	4/2015	Stover	D21/765
D733,241 S	*	6/2015	Fissell	D21/765
D784,470 S	*	4/2017	Kesselman	D21/765
D797,227 S	*	9/2017	Treadway	D21/765
D798,407 S	*	9/2017	Pang	D21/765
D806,195 S	*	12/2017	Zaring	D21/765
D815,226 S	*	4/2018	Treadway	D21/765
D817,427 S	*	5/2018	Pang	D21/765
D818,069 S	*	5/2018	Torres	D21/765
D818,070 S	*	5/2018	Pang	D21/765
D820,371 S	*	6/2018	Giang	D21/765

* cited by examiner

Primary Examiner — Robin V Webster

Assistant Examiner — Keith J Wilson

(74) *Attorney, Agent, or Firm* — Finnegan, Henderson, Farabow, Garrett & Dunner, LLP

(57) **CLAIM**

The ornamental design for an electrical transportation tool, as shown and described.

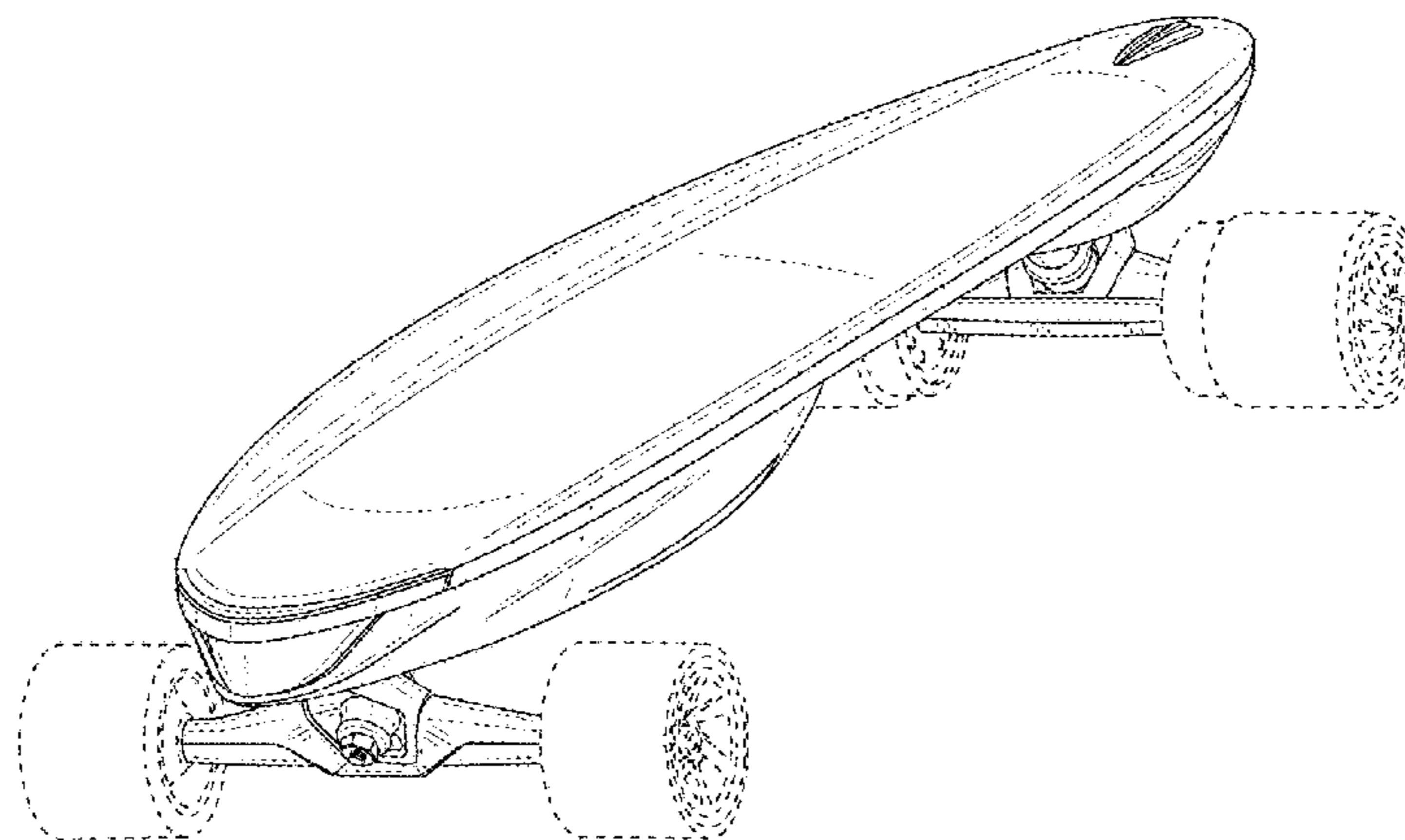
DESCRIPTION

FIG. 1 is a top, front, right perspective view of an electrical transportation tool, showing my new design;
FIG. 2 is a bottom, rear, right perspective view thereof;
FIG. 3 is a front elevation view thereof;
FIG. 4 is a rear elevation view thereof;
FIG. 5 is a left side elevation view thereof;
FIG. 6 is a right side elevation view thereof;
FIG. 7 is a top plan view thereof; and,
FIG. 8 is a bottom plan view thereof.

Contrast in materials, unlimited by material or color, is shown using line shading on some surfaces.

The portions of the electrical transportation tool depicted in broken dashed lines form no part of the claimed design.

1 Claim, 8 Drawing Sheets



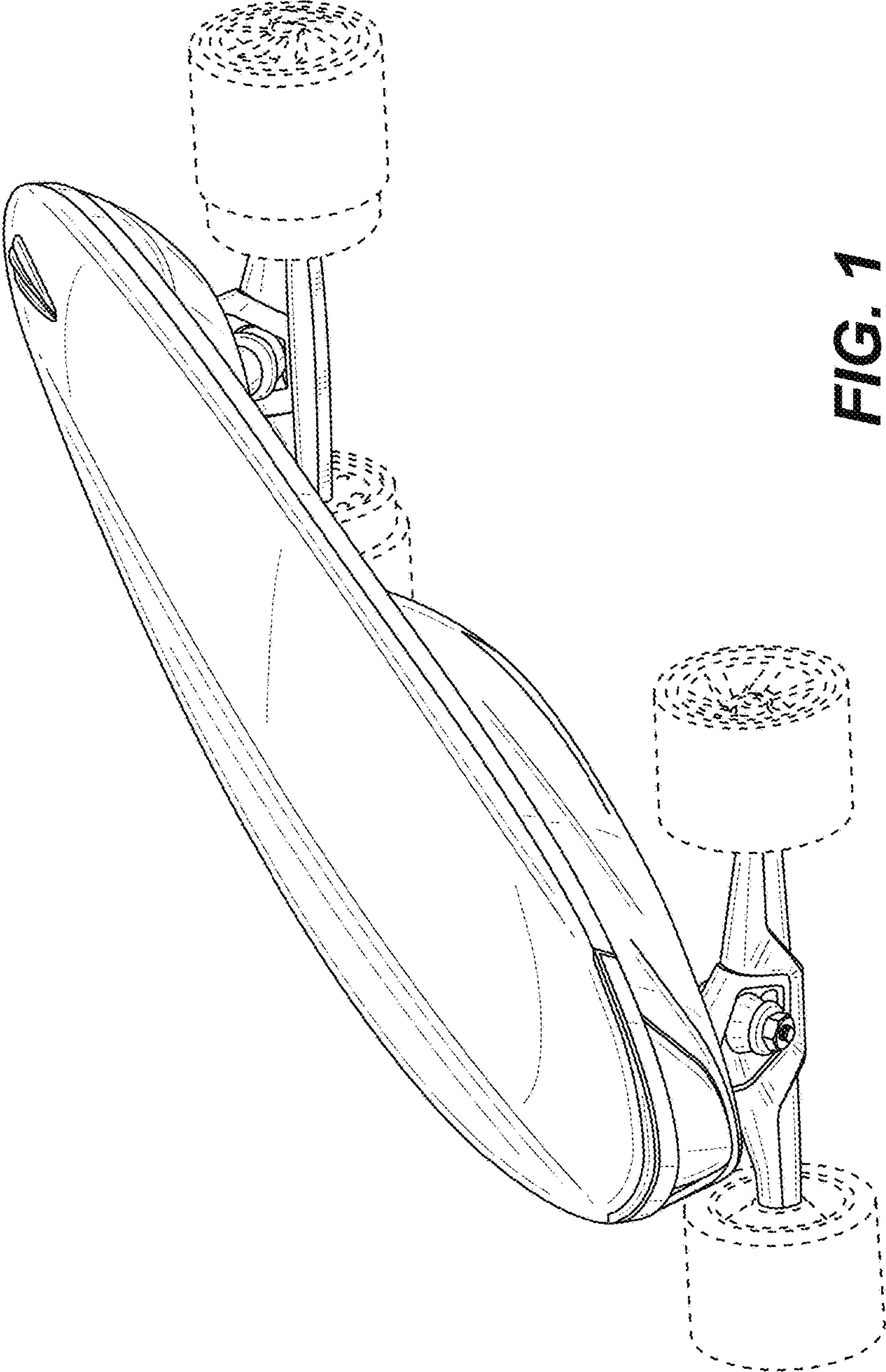


FIG. 1

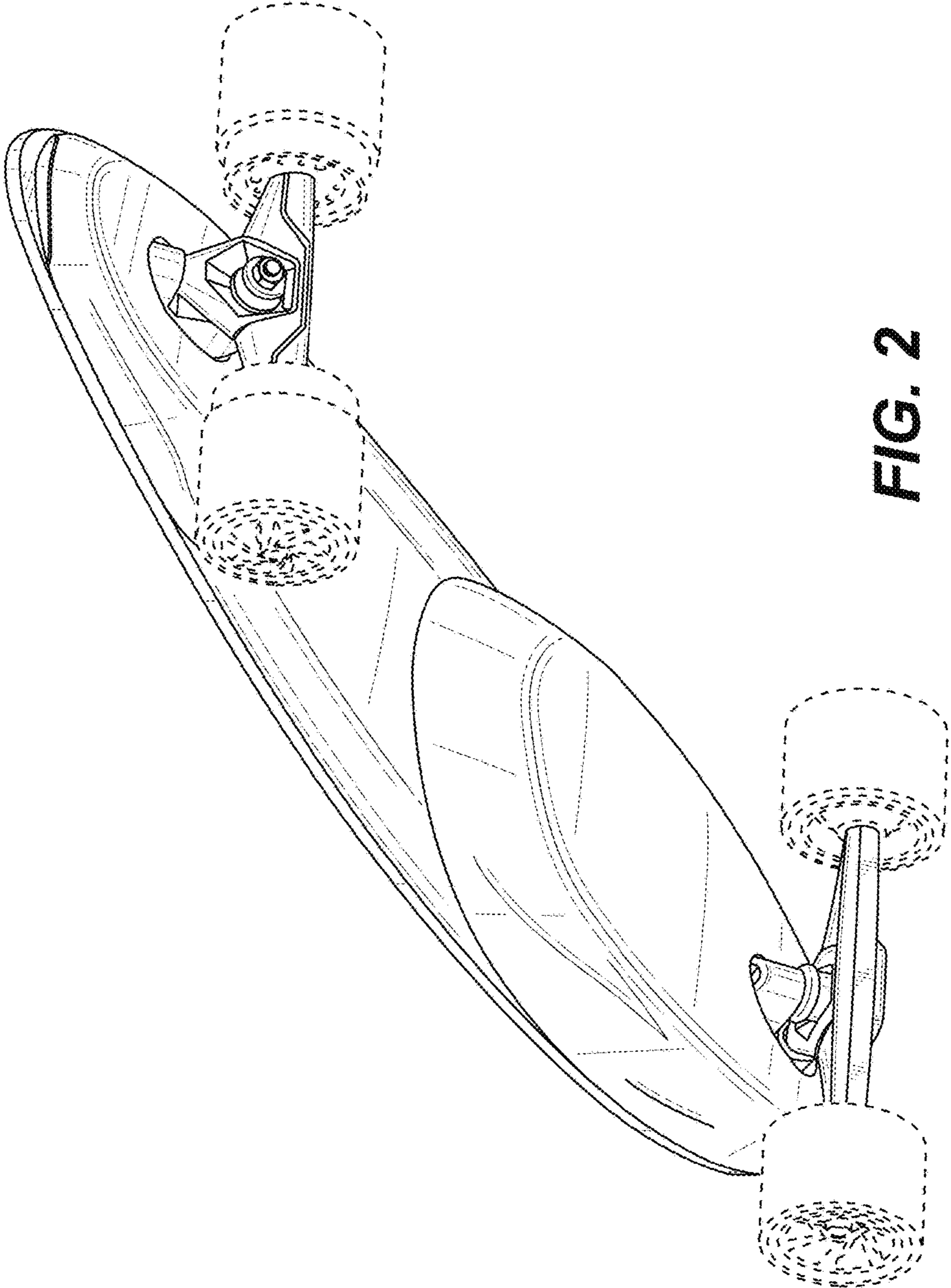


FIG. 2

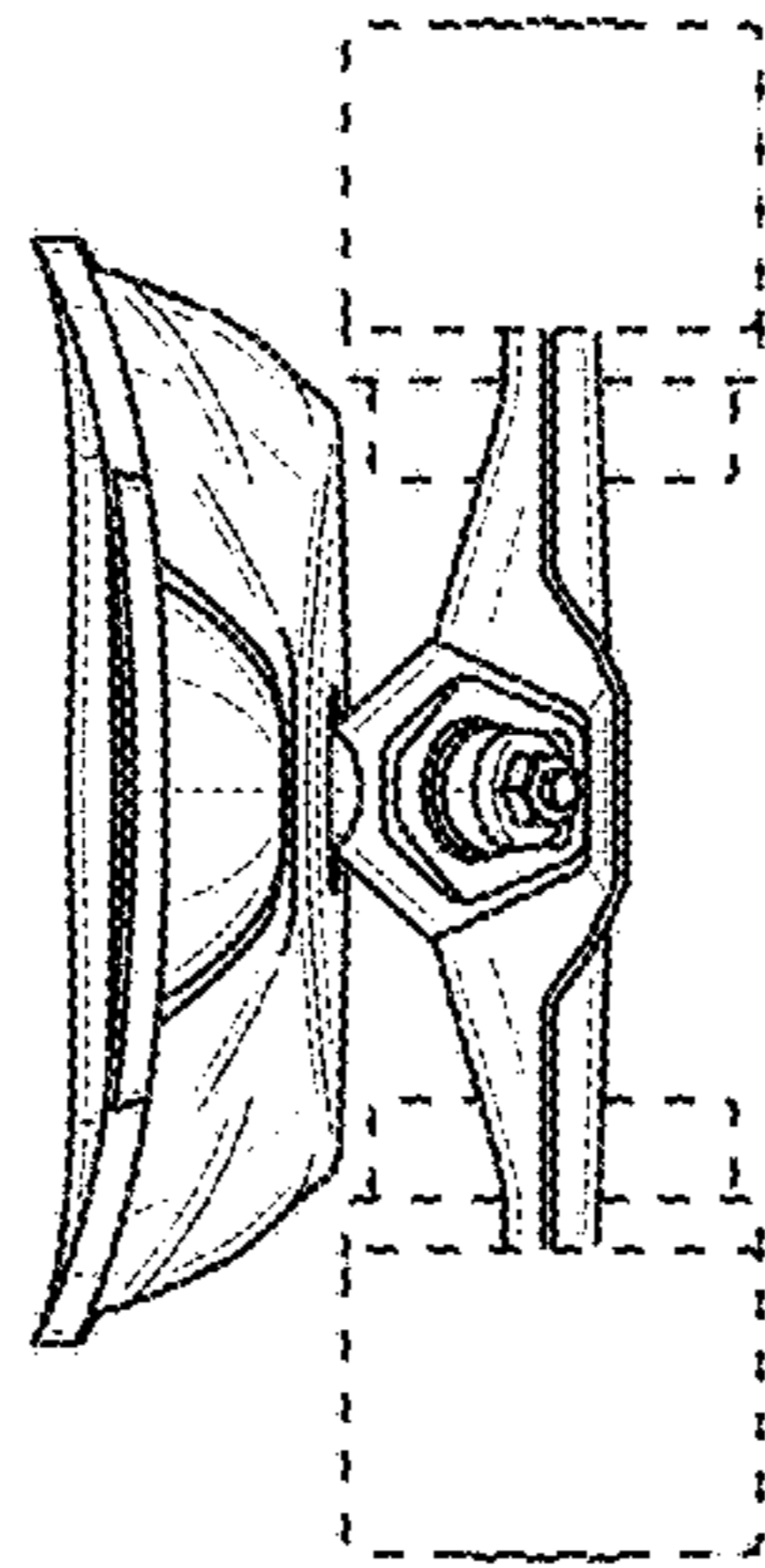


FIG. 3

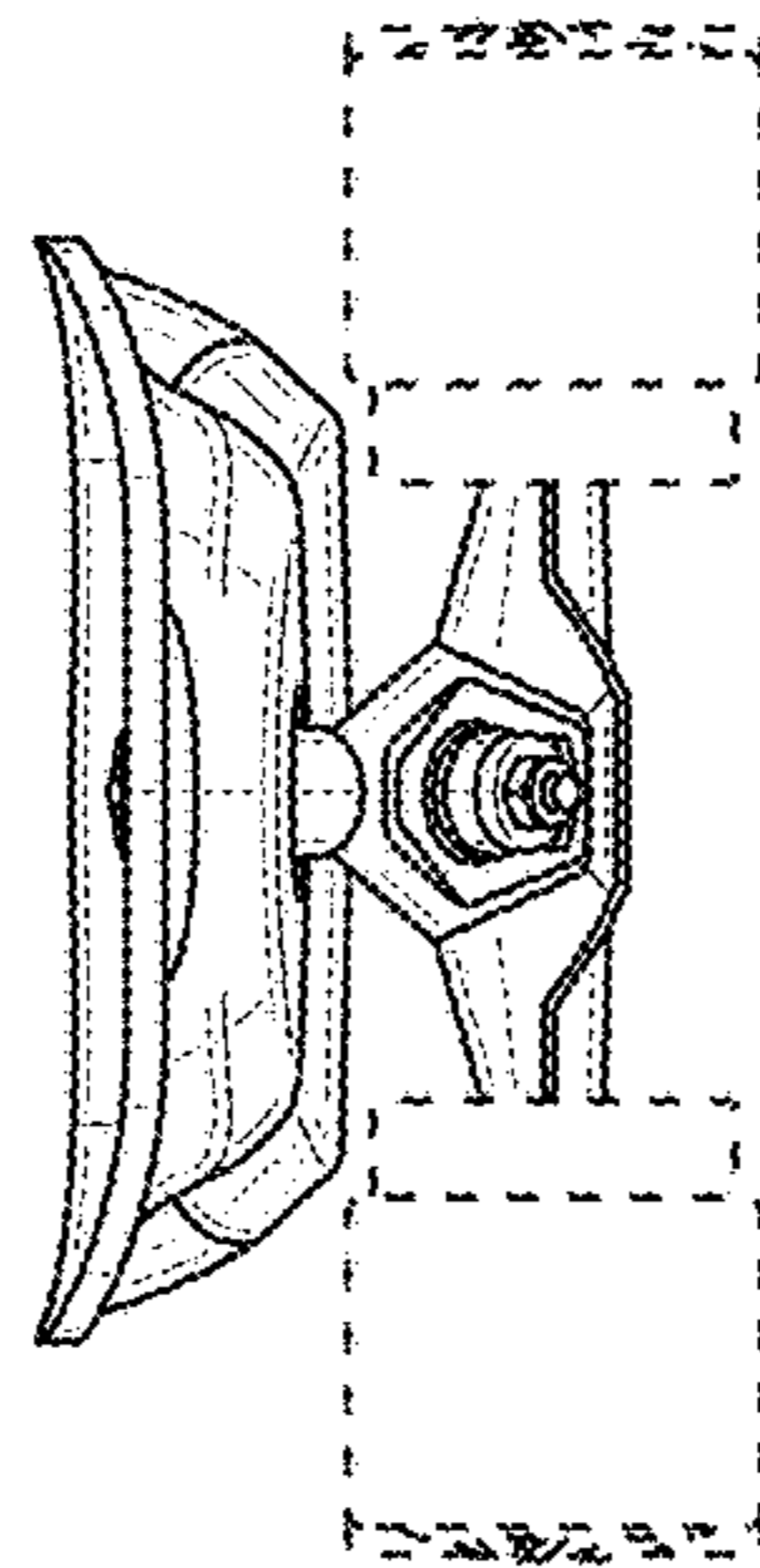


FIG. 4

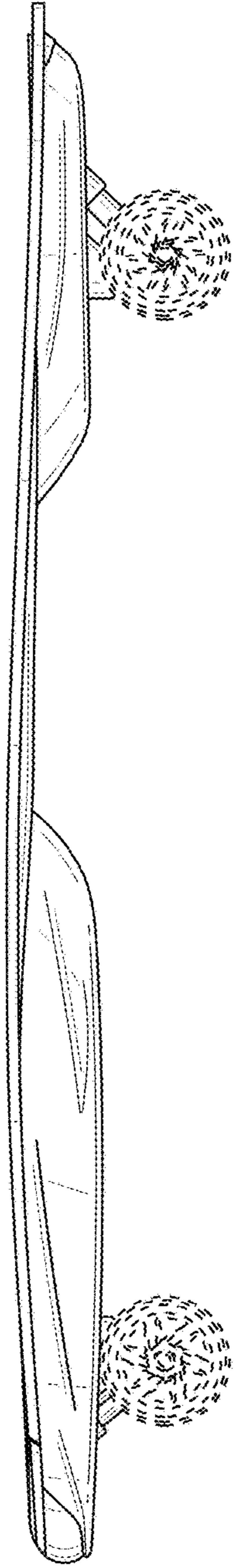


FIG. 5

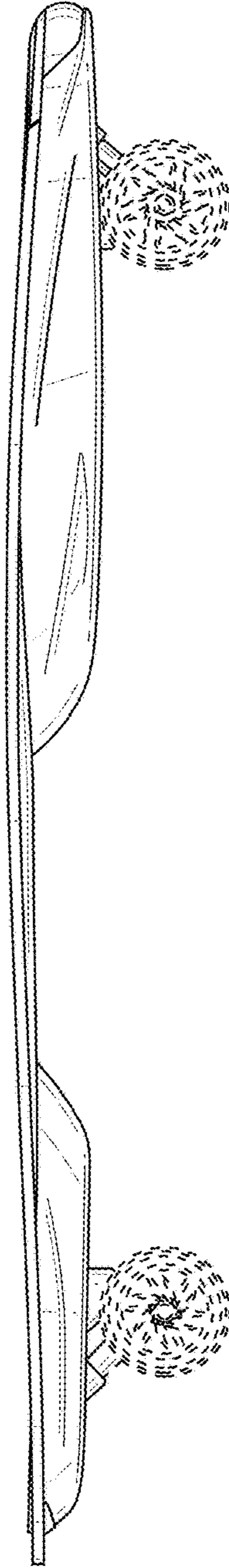


FIG. 6

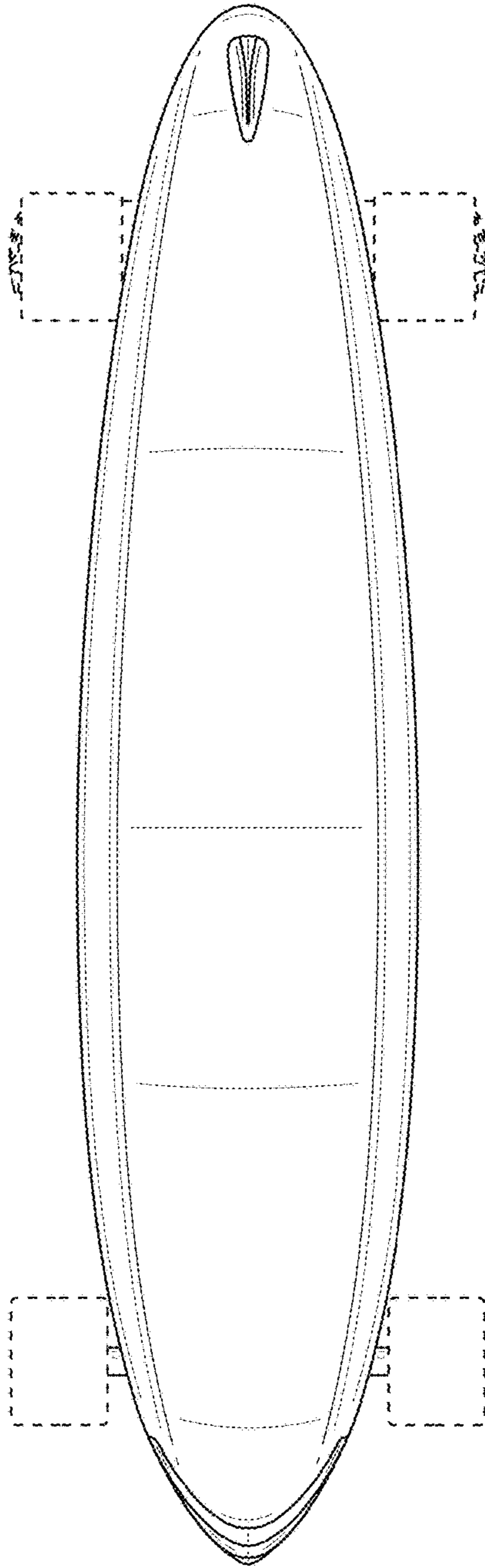


FIG. 7

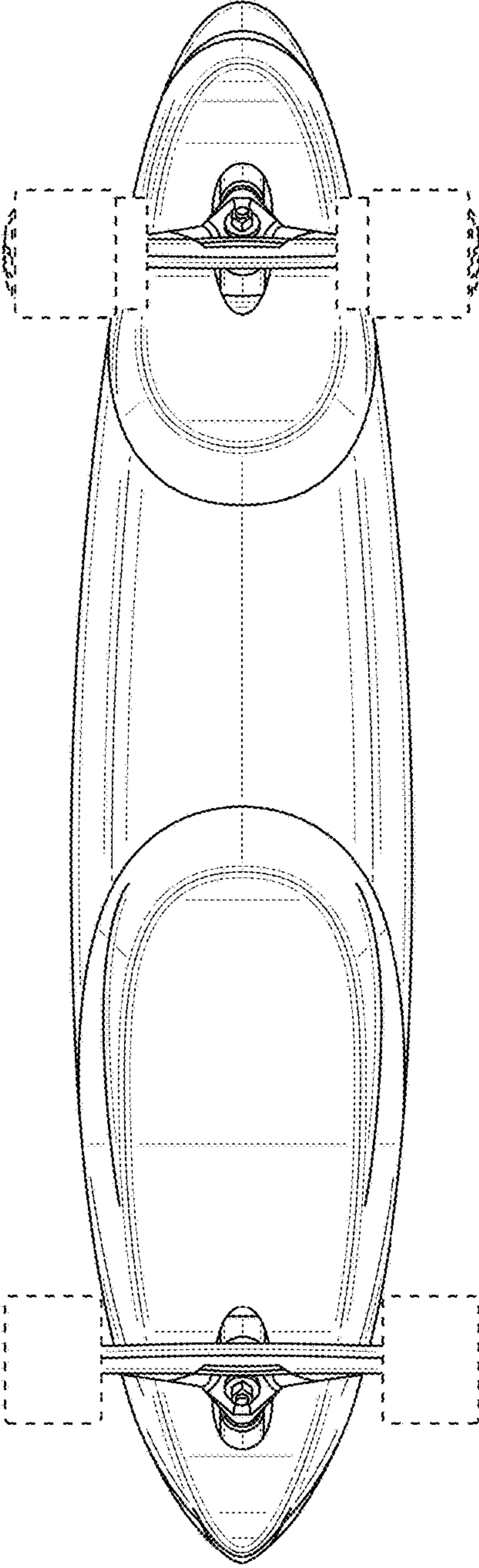


FIG. 8