



US00D838789S

(12) **United States Design Patent** (10) **Patent No.:** **US D838,789 S**
Hu (45) **Date of Patent:** **** Jan. 22, 2019**

(54) **CLIMBING TRAINING EQUIPMENT**

D636,826 S * 4/2011 Chan D21/663
D759,169 S * 6/2016 Humberto Mercenari Uribe

(71) Applicant: **HangZhou Zhenhan Sports Equipment Co., Ltd.**, Hangzhou, Lin'an (CN)

D21/670
2002/0198082 A1* 12/2002 Arroyo A63B 23/03575
482/51

(72) Inventor: **JiuShu Hu**, Hangzhou (CN)

OTHER PUBLICATIONS

(**) Term: **15 Years**

Amazon "Vertical Climber Cardio Exercise—Total Body Workout Climb Machine,Feierdun Folding Climbing Machine for Home Gym Equipment Step Climber", https://www.amazon.com/Vertical-Climber-Cardio-Exercise-Equipment/dp/B073CC9KJS/ref=sr_1_1?ie=UTF8&qid=1502386605&sr=8-1-spons&keywords=climber+exercise+machine&psc=1. Jul. 27, 2017. shown in p. 1.*

(21) Appl. No.: **29/589,054**

(22) Filed: **Dec. 27, 2016**

* cited by examiner

(30) **Foreign Application Priority Data**

Jun. 28, 2016 (CN) 2016 3 0287033

Primary Examiner — Cynthia Ramirez

(51) **LOC (11) Cl.** **21-02**

Assistant Examiner — Michael A Maharajh

(52) **U.S. Cl.**

(74) *Attorney, Agent, or Firm* — Zhihua Han

USPC **D21/670**

(57) **CLAIM**

(58) **Field of Classification Search**

The ornamental design for a climbing training equipment, as shown and described.

USPC ... 482/80, 74-76, 71, 70, 63-66, 57, 56, 54, 482/52, 51, 145, 144, 143, 142, 141, 140; D21/662-671, 694, 697

DESCRIPTION

CPC A63B 25/00; A63B 22/14; A61H 1/0266; Y10S 482/907

FIG. 1 is a front perspective view of the climbing training equipment showing my new design; FIG. 2 is a front view of the design thereof; FIG. 3 is a back view of the design thereof; FIG. 4 is a left side view of the design thereof; FIG. 5 is a right side view of the design thereof; FIG. 6 is a top plan view shown at a larger scale thereof; and, FIG. 7 is a bottom plan view shown at a larger scale thereof. The broken lines in the Figures are for environmental purposes only and form no part of the claimed design.

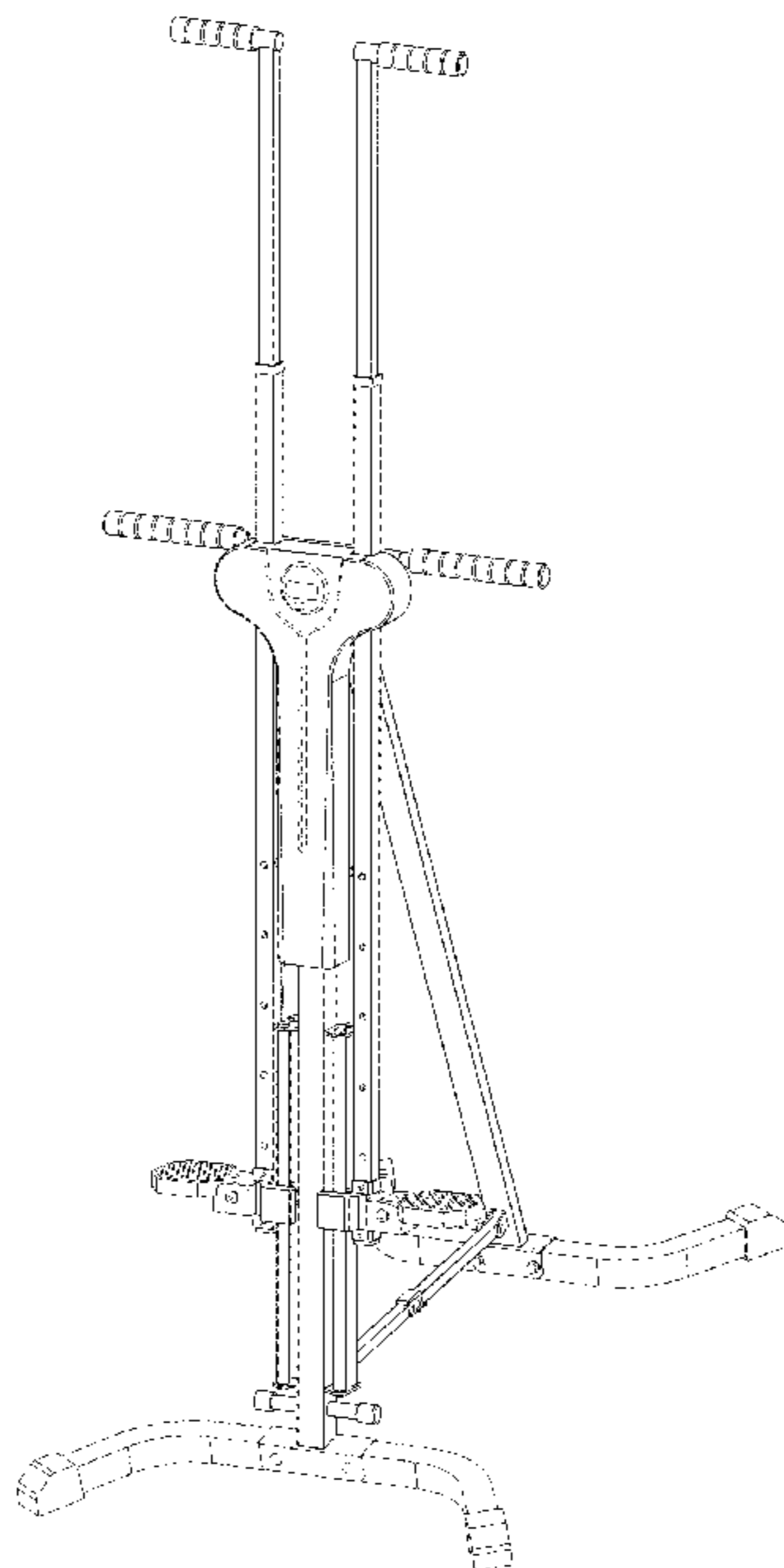
See application file for complete search history.

(56) **References Cited**

U.S. PATENT DOCUMENTS

D323,008 S * 1/1992 Wang D21/670
D329,478 S * 9/1992 Wang D21/670
D355,228 S * 2/1995 Hung D21/670
5,492,515 A * 2/1996 Charnitski A63B 22/001
482/51

1 Claim, 7 Drawing Sheets



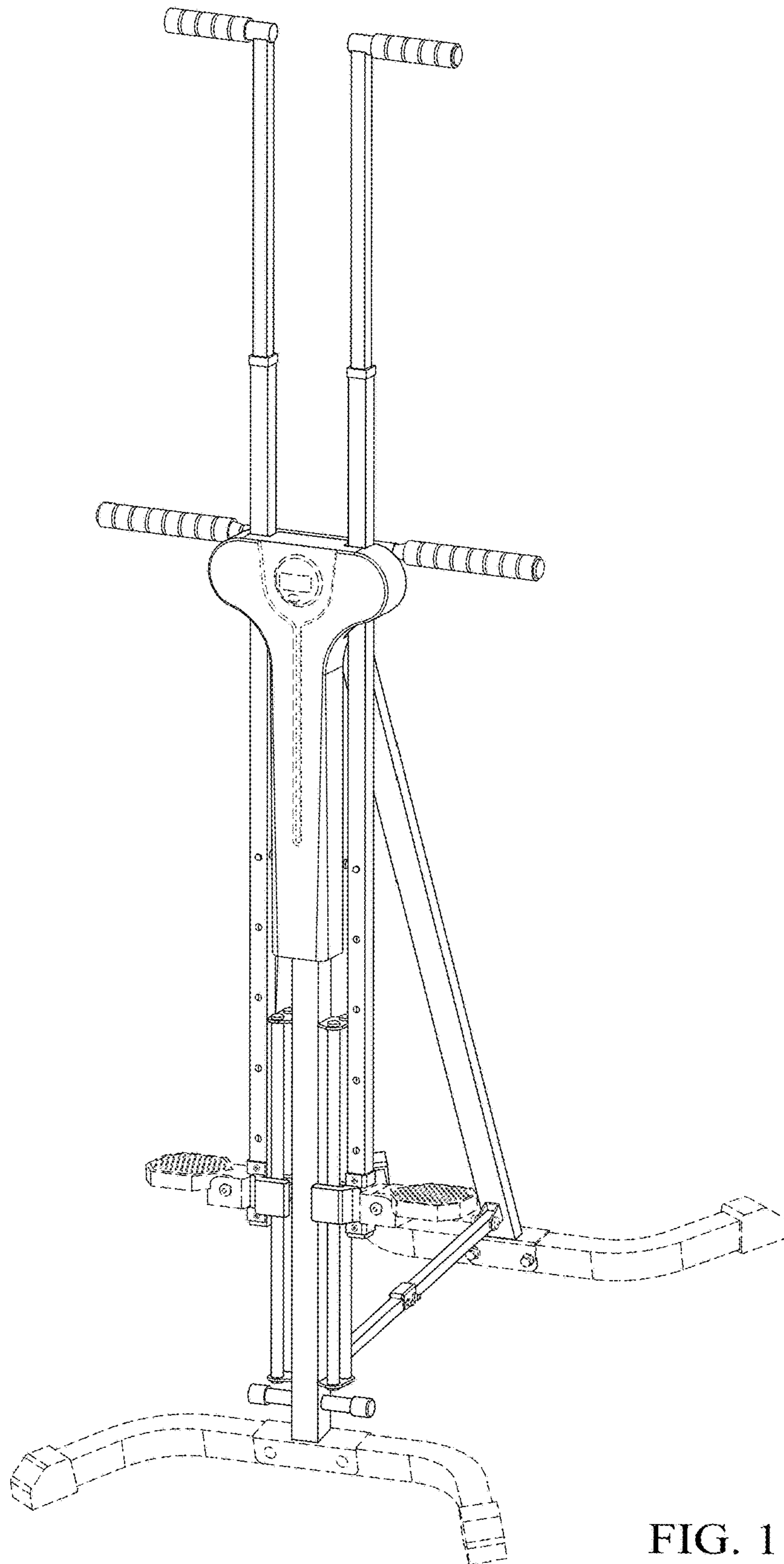


FIG. 1

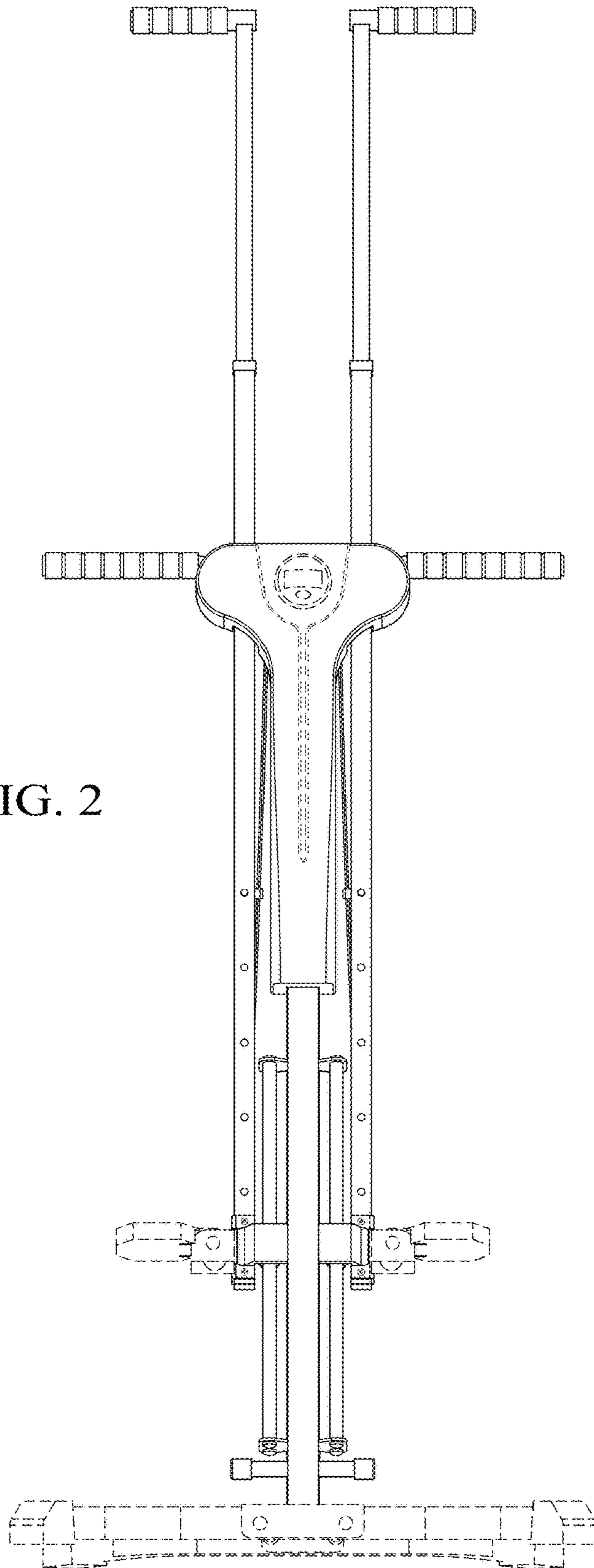


FIG. 2

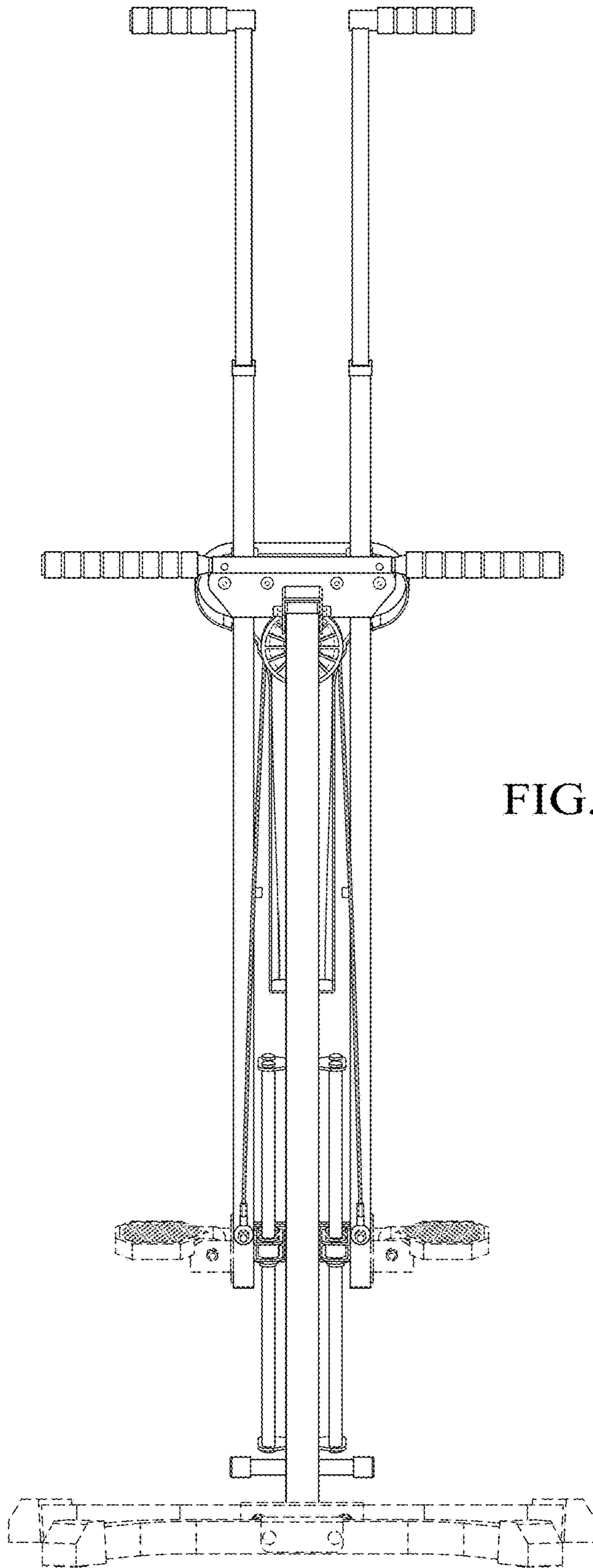
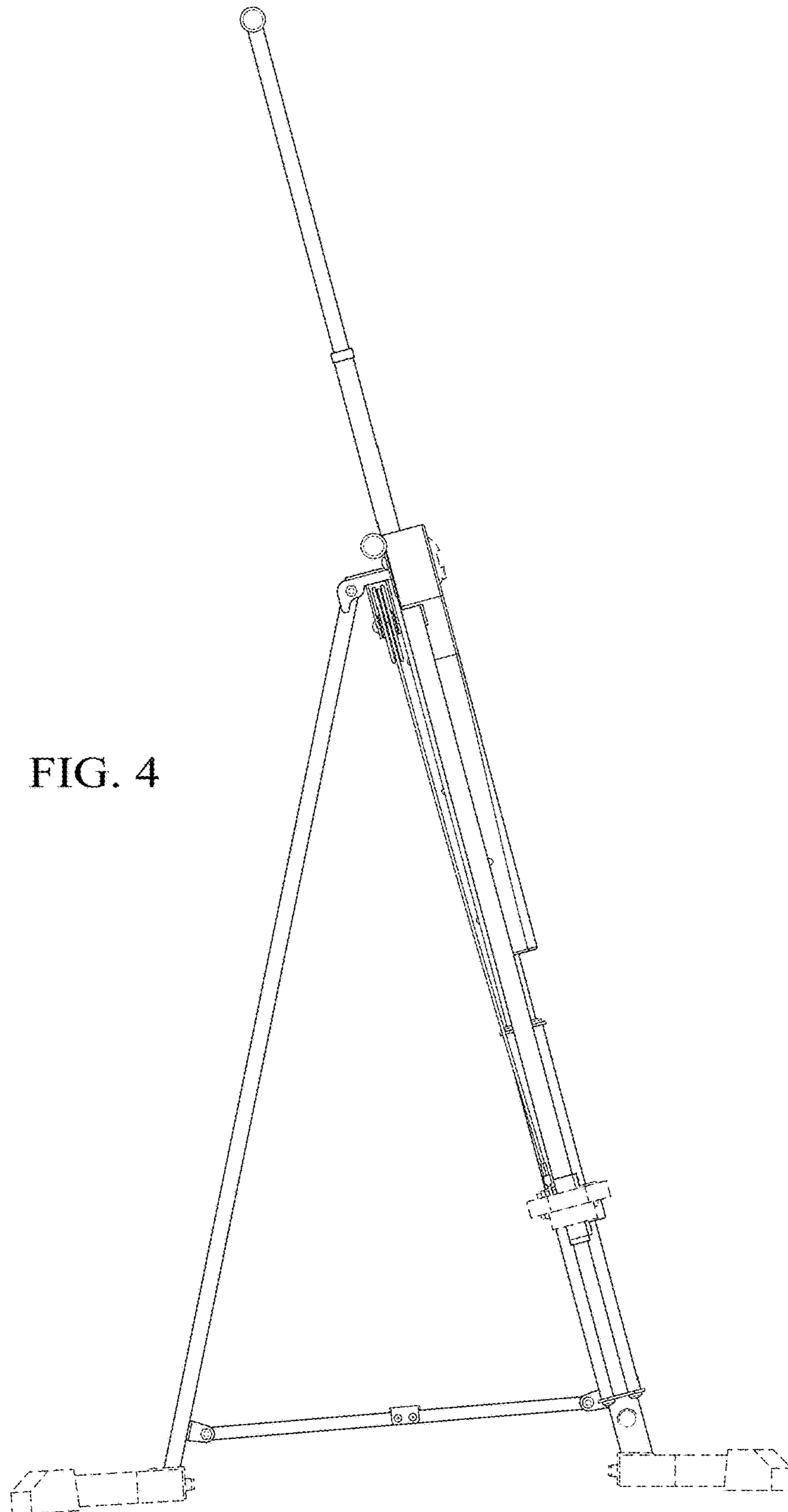


FIG. 3



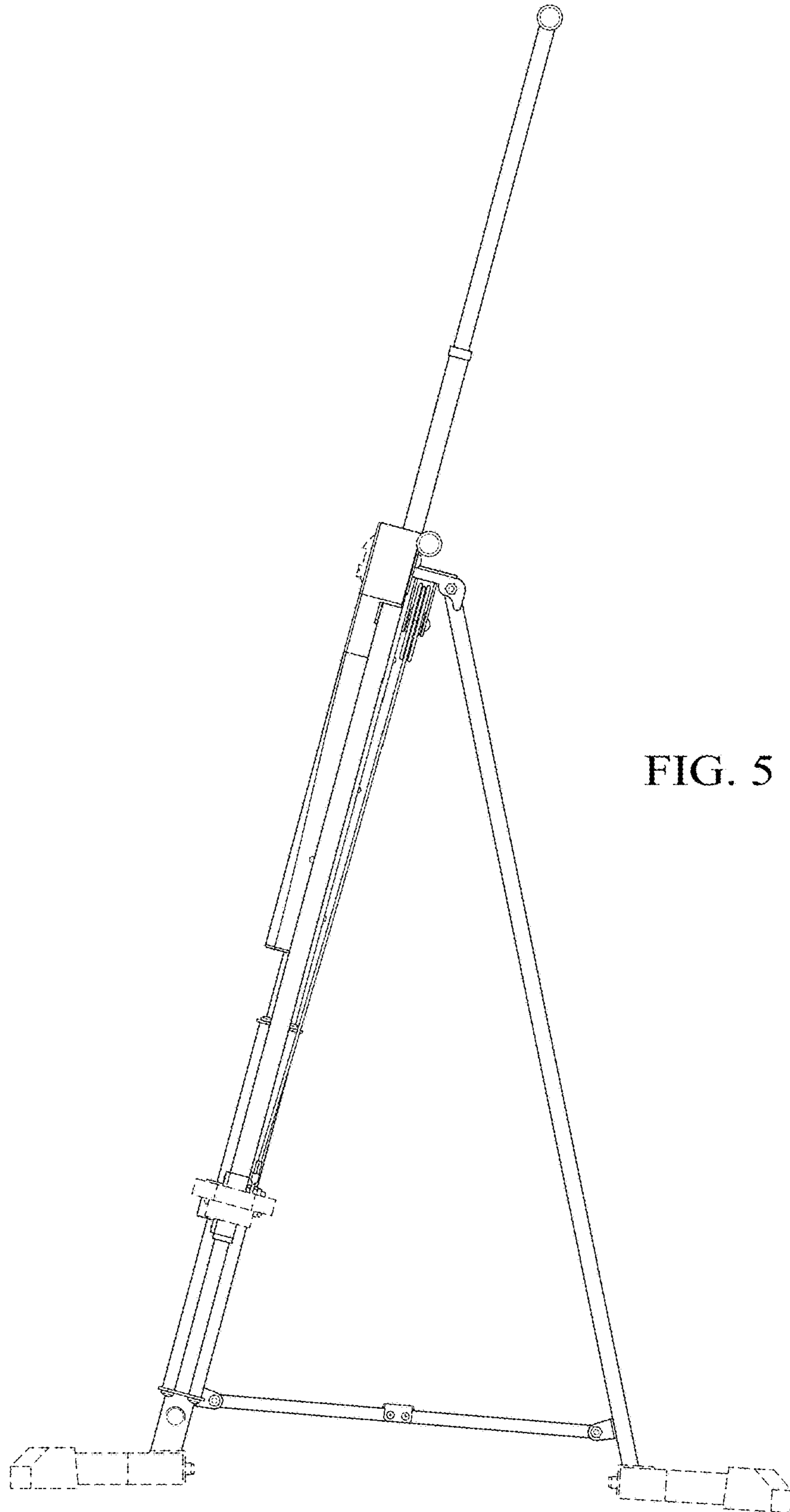


FIG. 5

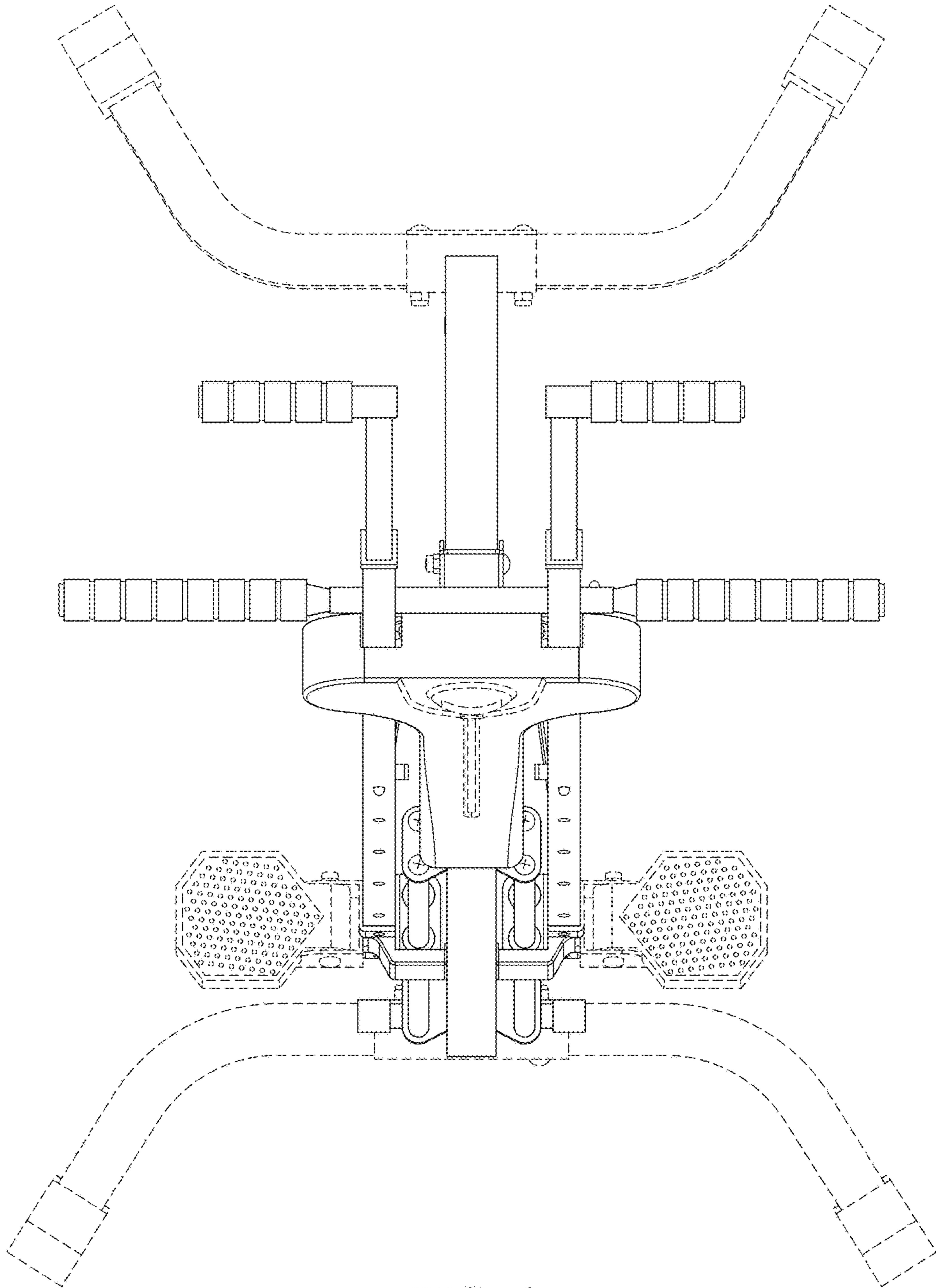


FIG. 6

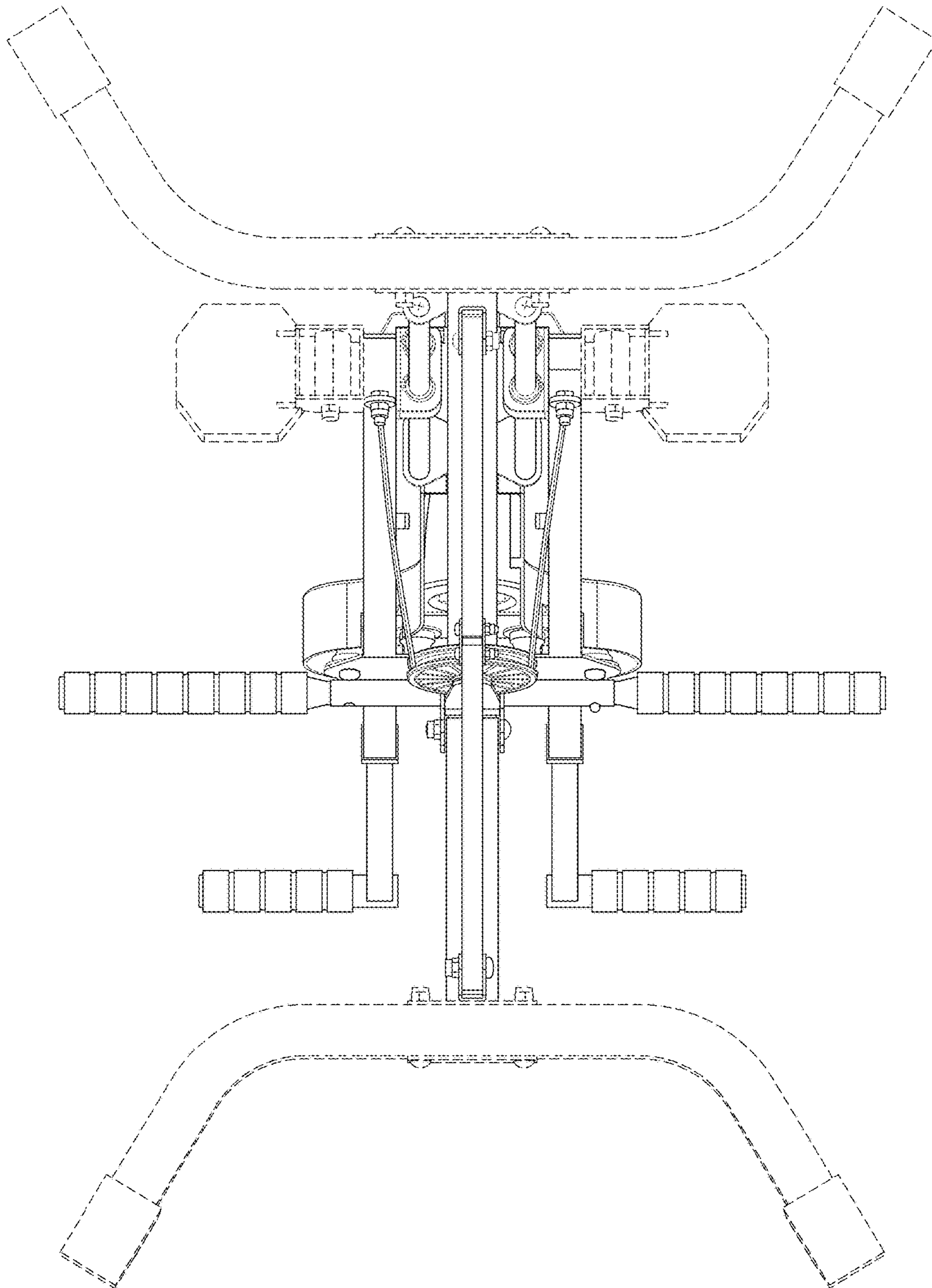


FIG. 7