



US00D838788S

(12) **United States Design Patent**  
**Noback et al.**

(10) **Patent No.:** **US D838,788 S**  
(45) **Date of Patent:** **\*\* Jan. 22, 2019**

- (54) **TORSO TRAINER**
- (71) Applicant: **ALLTrand, Inc.**, Alpharetta, GA (US)
- (72) Inventors: **Carl Noback**, Alpharetta, GA (US);  
**Don Gasgarth**, Alpharetta, GA (US);  
**Karl Poehls**, Alpharetta, GA (US);  
**Jeffrey Zwitter**, Alpharetta, GA (US)
- (73) Assignee: **ALLTrand, Inc.**, Alpharetta, GA (US)
- (\*\*) Term: **15 Years**
- (21) Appl. No.: **29/624,076**
- (22) Filed: **Oct. 30, 2017**
- (51) **LOC (11) Cl.** ..... **21-02**
- (52) **U.S. Cl.**  
USPC ..... **D21/662**; D21/686
- (58) **Field of Classification Search**  
USPC .... 482/92, 93, 94, 95, 96, 97, 99, 100, 133,  
482/135, 138, 140, 142; D21/662, 673,  
D21/674, 675, 676, 679, 681, 686, 687,  
D21/690, 691  
CPC ..... A63B 2225/093; A63B 22/16; A63B  
23/0211; A63B 21/0004; A63B 21/4047;  
A63B 21/4039; A63B 2208/029; A63B  
9/00  
See application file for complete search history.

- D322,730 S \* 12/1991 Taltre ..... D21/690
- D355,004 S \* 1/1995 Hanning, Jr. .... D21/690
- D438,580 S \* 3/2001 Shaw ..... D21/663
- D438,581 S \* 3/2001 Shaw ..... D21/663
- D438,919 S \* 3/2001 Shaw ..... D21/663
- D450,100 S \* 11/2001 Hsu ..... D21/694
- D450,101 S \* 11/2001 Hsu ..... D21/694
- 7,101,323 B1 \* 9/2006 Steffee ..... A63B 21/154  
482/100
- 7,476,188 B2 \* 1/2009 Perez, Jr. .... A63B 23/0211  
482/140
- 8,187,153 B2 \* 5/2012 Douglas ..... A63B 21/4005  
482/137
- D700,667 S \* 3/2014 Ross ..... D21/662

\* cited by examiner

*Primary Examiner* — Cynthia Ramirez  
*Assistant Examiner* — Michael A Maharajh  
(74) *Attorney, Agent, or Firm* — Clayton, McKay & Bailey, PC

(57) **CLAIM**

The ornamental design for a torso trainer, as shown and described.

**DESCRIPTION**

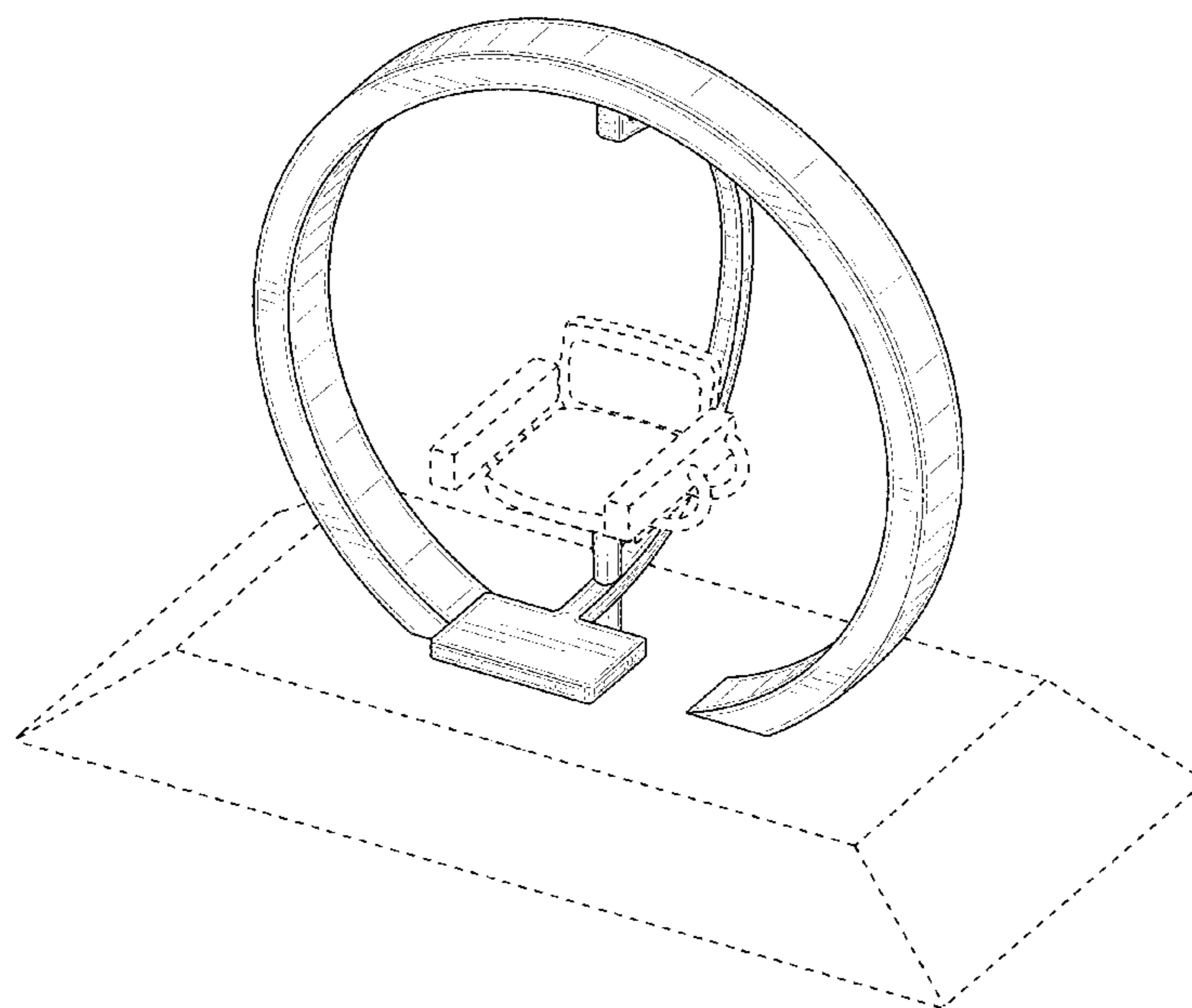
FIG. 1 is a perspective view of a torso trainer showing our new design.  
FIG. 2 is a front view of the torso trainer.  
FIG. 3 is a rear view of the torso trainer.  
FIG. 4 is a left-side view of the torso trainer.  
FIG. 5 is a right-side view of the torso trainer.  
FIG. 6 is a top view of the torso trainer; and,  
FIG. 7 is a bottom view of the torso trainer.  
The broken lines depict portions of the torso trainer and form no part of the claimed design.

**1 Claim, 7 Drawing Sheets**

(56) **References Cited**

U.S. PATENT DOCUMENTS

- D284,394 S \* 6/1986 Bengtson ..... D21/676
- D297,958 S \* 10/1988 Dyer ..... D21/676
- D297,959 S \* 10/1988 Dyer ..... D21/676
- D297,960 S \* 10/1988 Dyer ..... D21/676



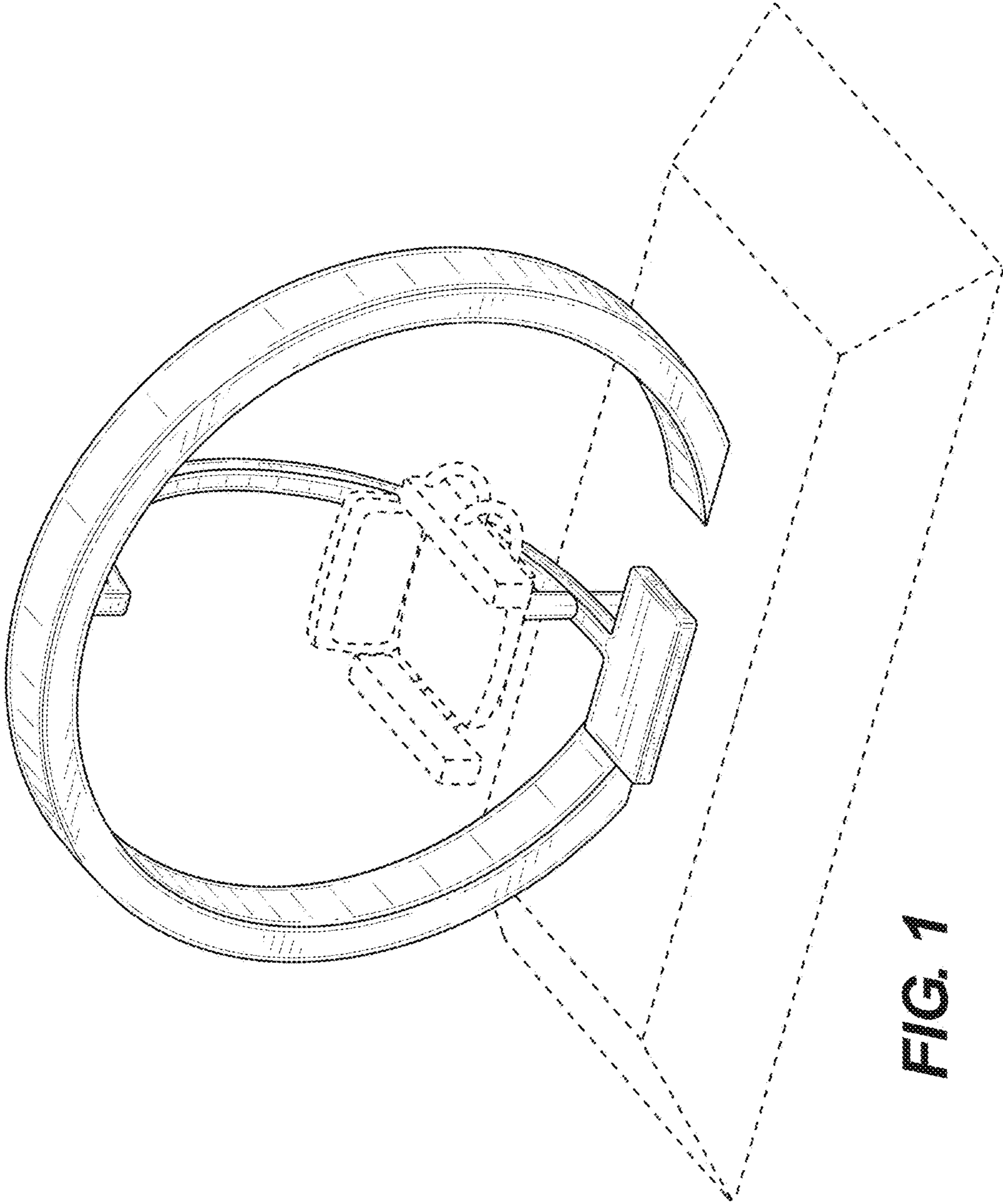


FIG. 1

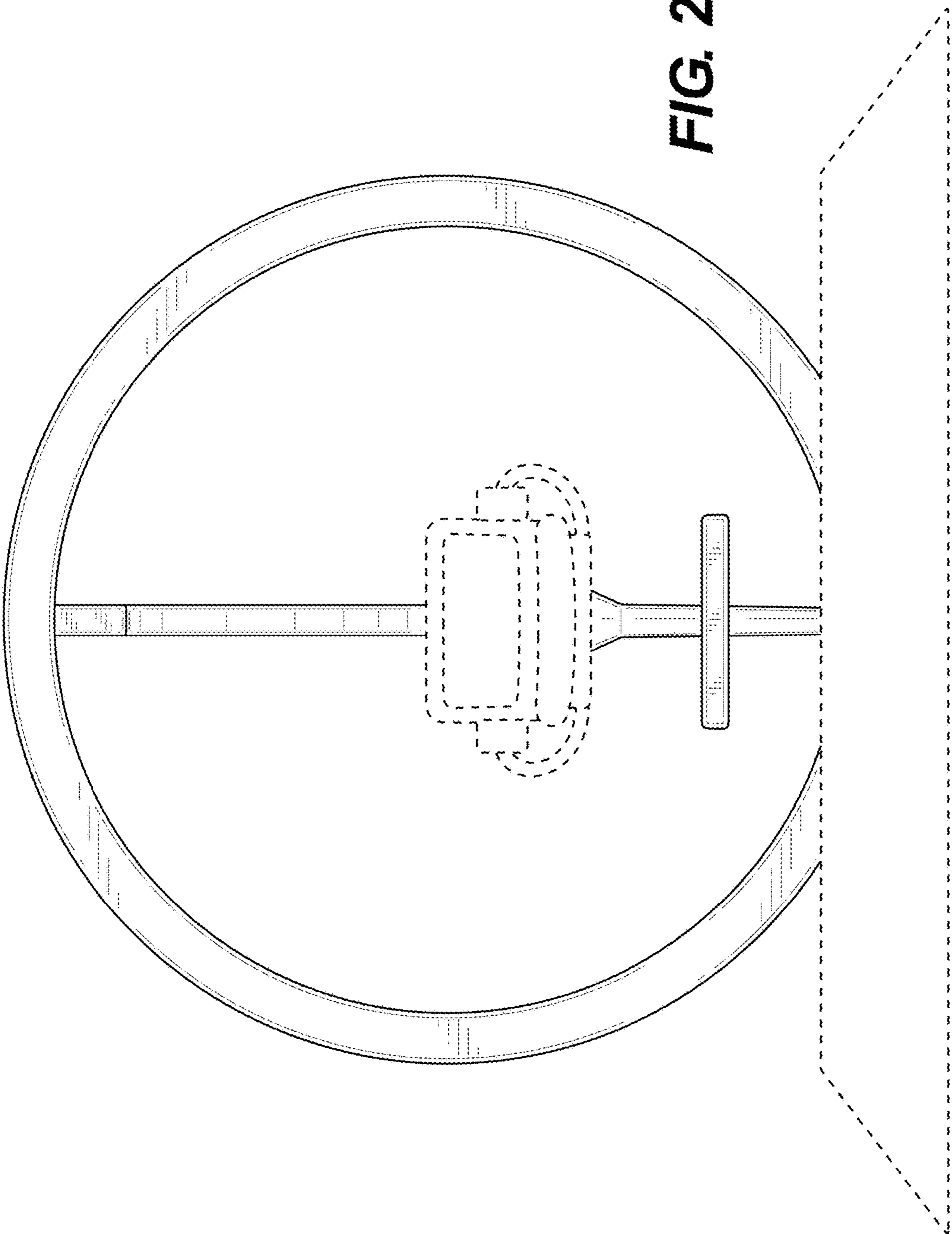
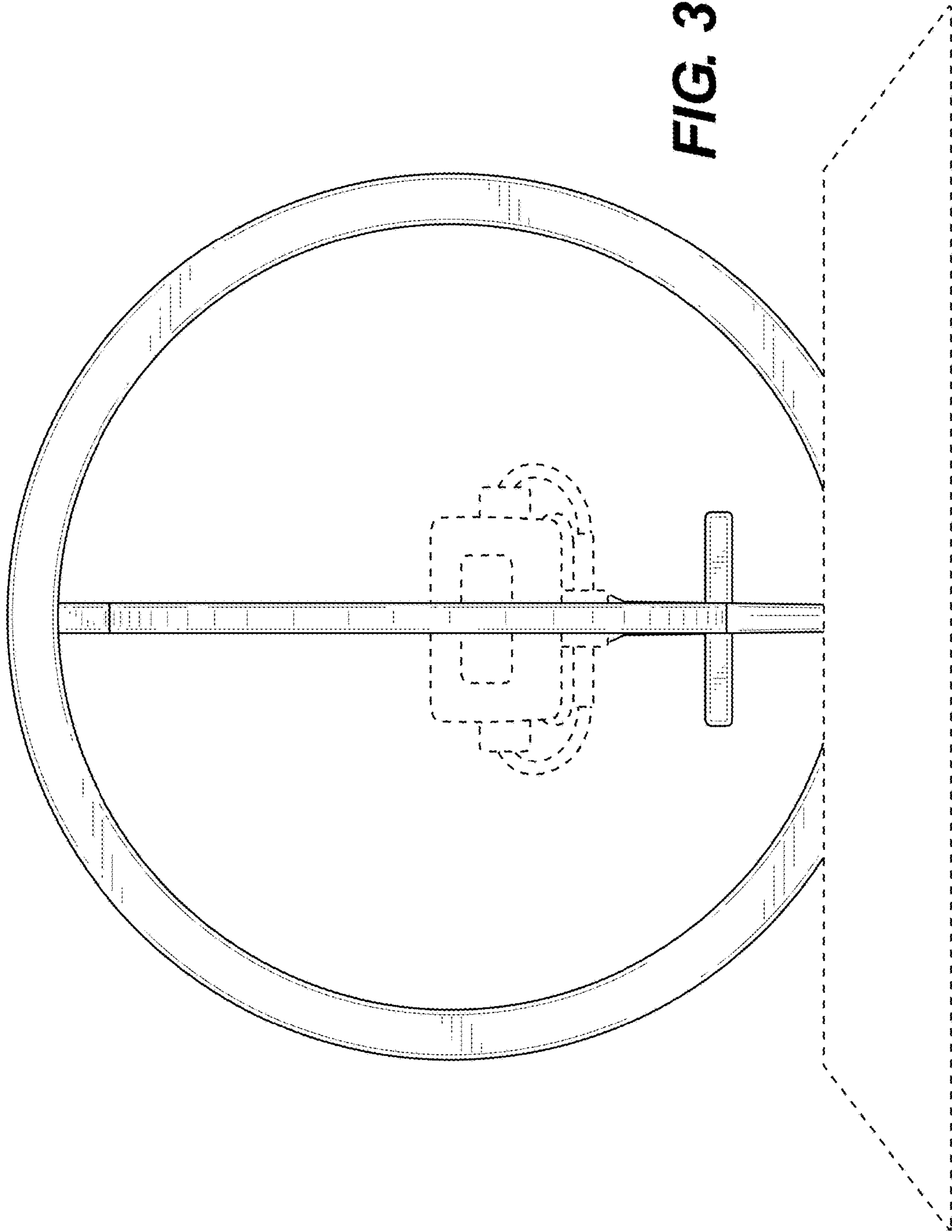


FIG. 2



**FIG. 4**

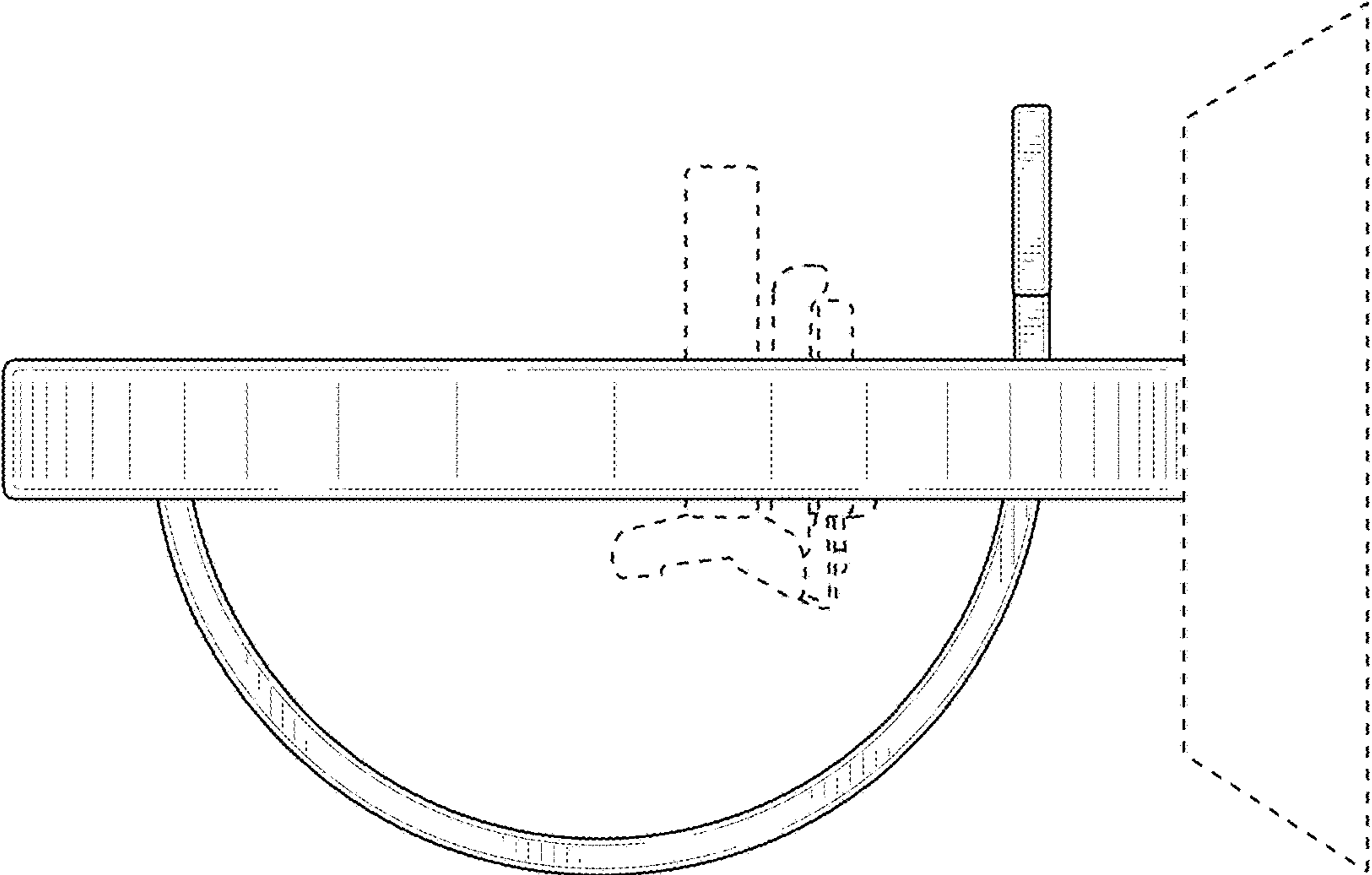
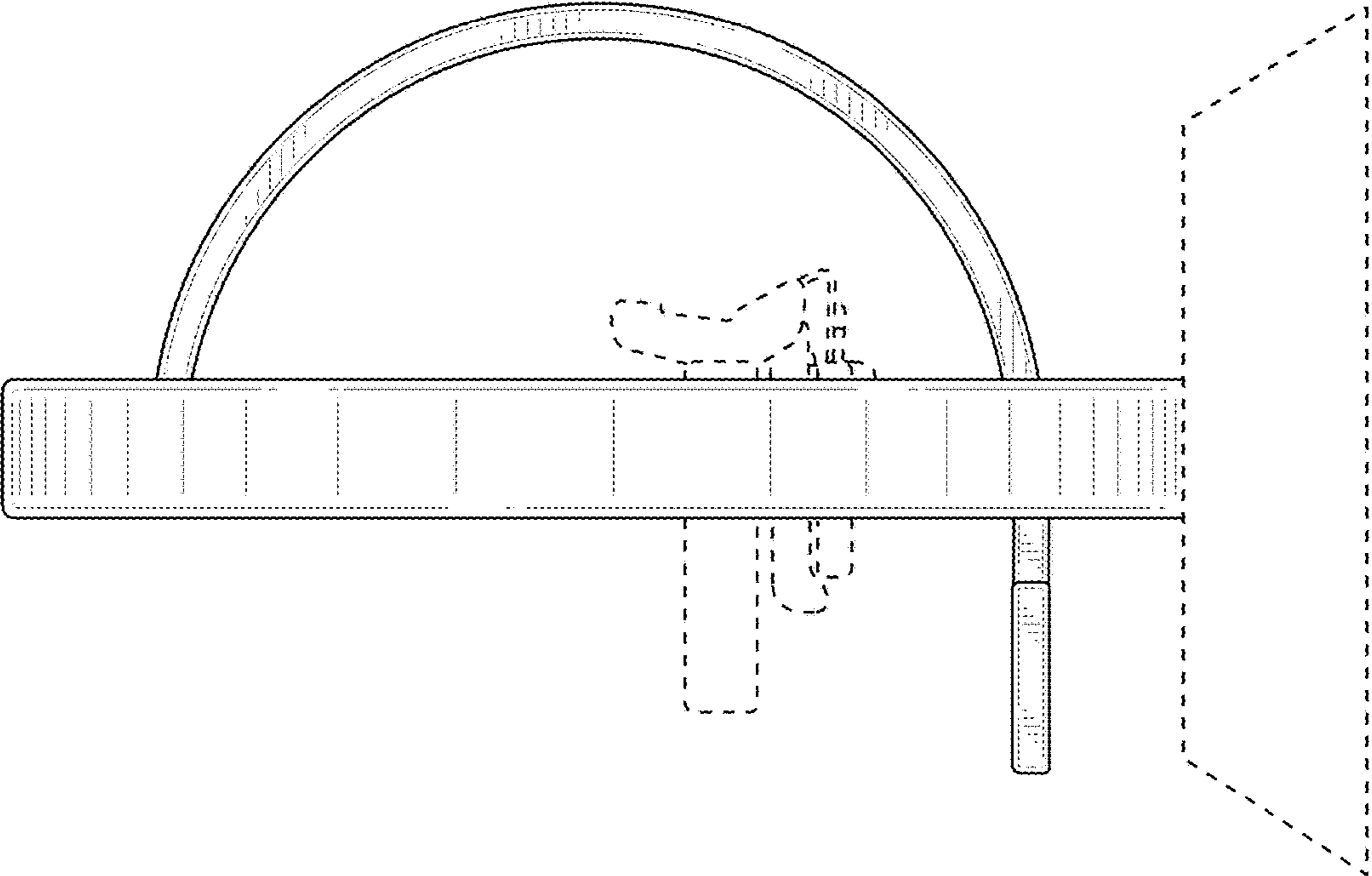
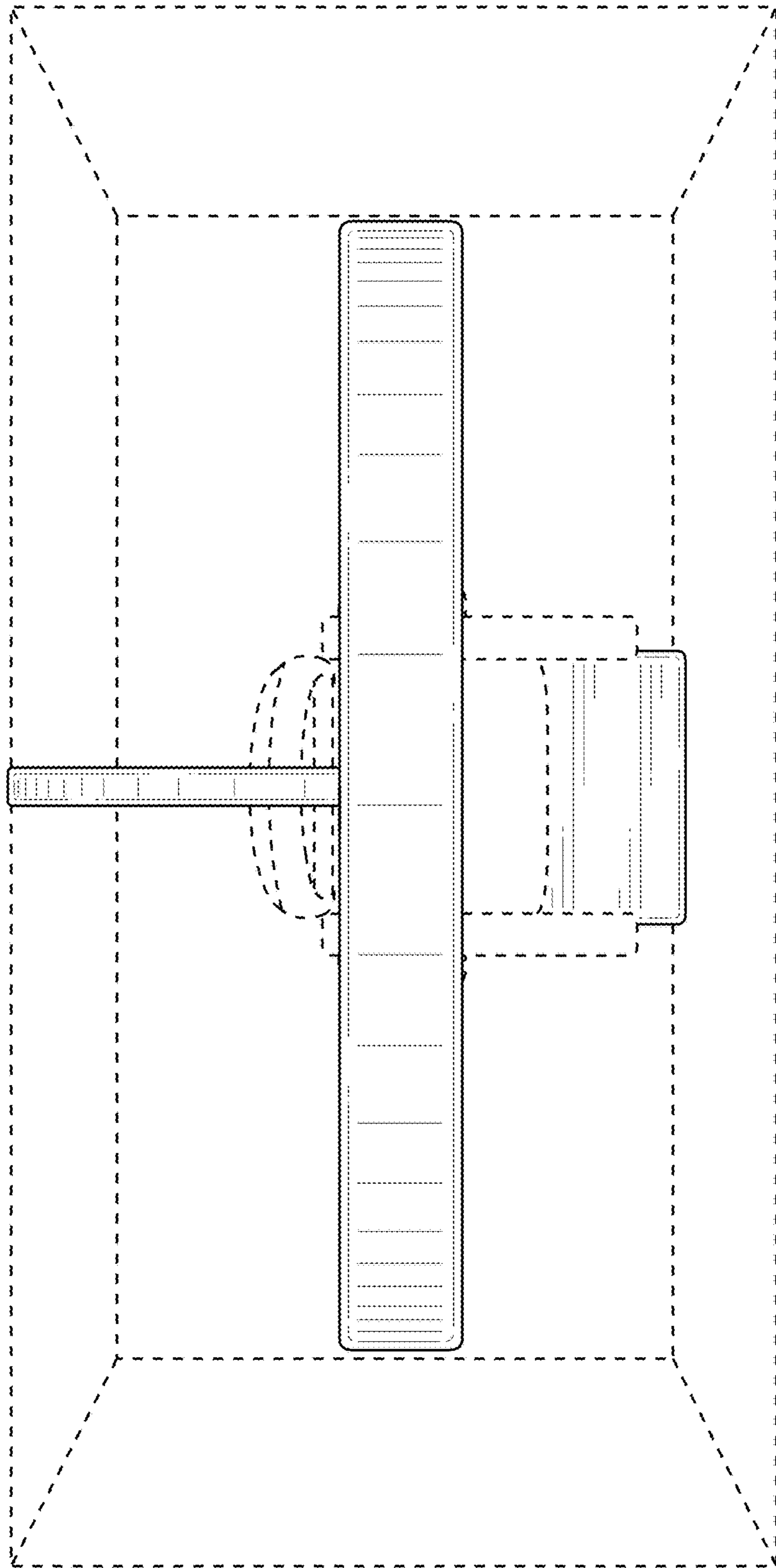
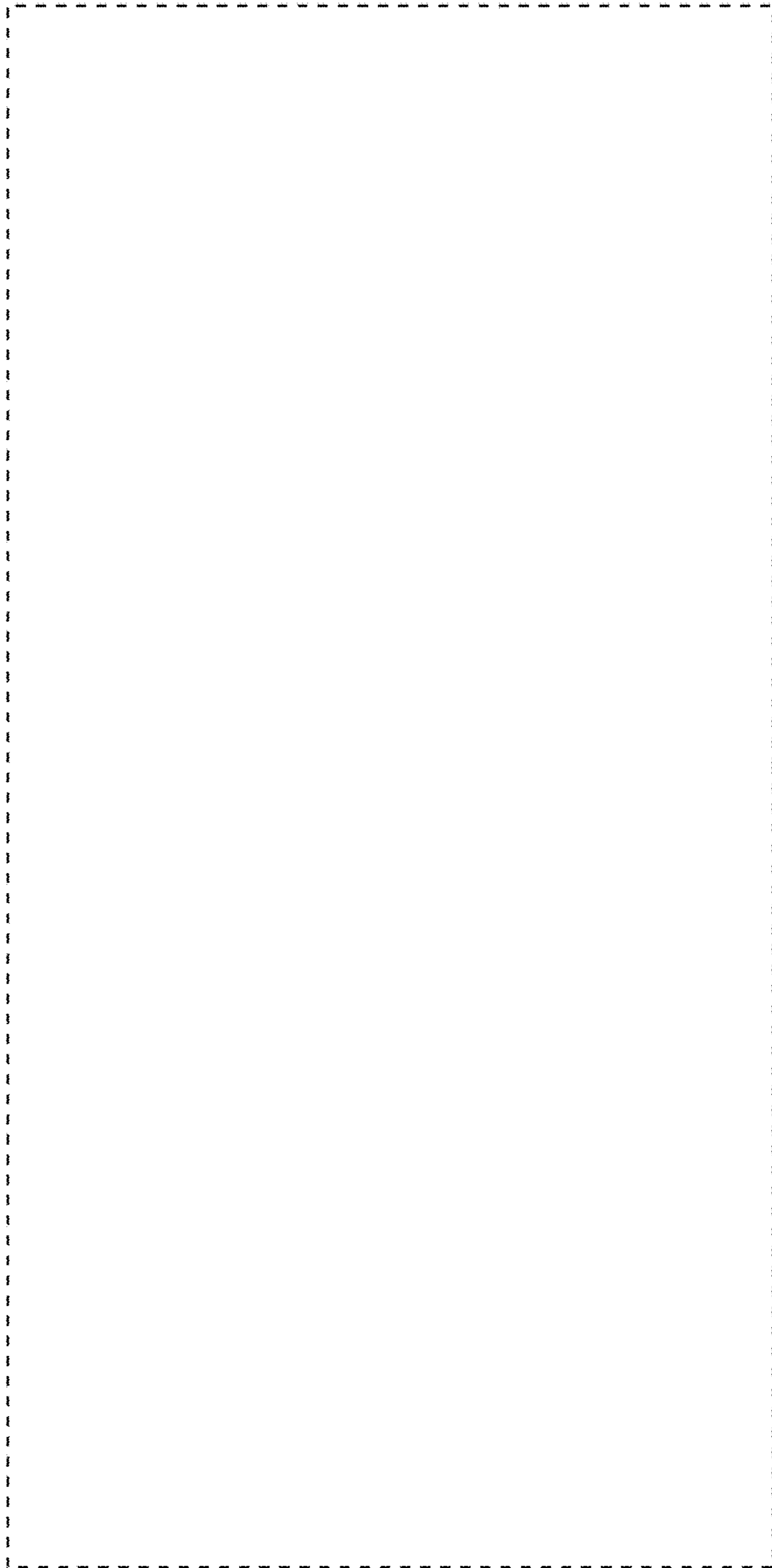


FIG. 5





**FIG. 6**



**FIG. 7**