



US00D838782S

(12) **United States Design Patent**
Brown

(10) **Patent No.:** **US D838,782 S**
(45) **Date of Patent:** **** Jan. 22, 2019**

- (54) **CHEER STICK**
- (71) Applicant: **Derrick S. Brown**, Suwanee, GA (US)
- (72) Inventor: **Derrick S. Brown**, Suwanee, GA (US)
- (**) Term: **15 Years**
- (21) Appl. No.: **29/565,699**
- (22) Filed: **May 24, 2016**

2,215,661 A * 9/1940 Cohn A63H 5/00
446/81
2,230,138 A * 1/1941 Ewart B29D 22/02
2/168
D127,792 S * 6/1941 Gillie D17/10
(Continued)

Related U.S. Application Data

- (63) Continuation-in-part of application No. 14/444,930, filed on Jul. 28, 2014, now abandoned.
- (51) **LOC (11) Cl.** **21-01**
- (52) **U.S. Cl.**
USPC **D21/400**; D21/405; D21/440
- (58) **Field of Classification Search**
USPC D21/398, 400, 405–408, 411, 439, 440, D21/492, 725; D20/10, 12, 19, 29–38, D20/41, 99; D17/10, 11, 13, 22, 24, 99; D10/114.9, 116.1, 118; D9/695, 696; D24/194; 84/402; 446/176, 180, 184, 446/185, 202, 220–226, 397, 415–422, 446/486–489
CPC . A63H 5/00; A63H 5/04; A63H 33/00; A63H 37/00; A63H 27/10; A63H 2027/1008–2027/1091; G10D 13/06; G10K 3/00; G10K 1/071; G10K 1/072; G10K 1/074; G10K 1/08; G10K 1/10; G10K 1/26
See application file for complete search history.

FOREIGN PATENT DOCUMENTS

EM 002416461-0001 * 3/2014
EM 002416461-0002 * 3/2014
(Continued)

OTHER PUBLICATIONS

What Is Hypefan? images and description on webpage: <https://web.archive.org/web/20160116144710/http://www.hypefan.com/> (3 pages)
Web Archive capture date: Jan. 16, 2016 [accessed on Mar. 1, 2018] (Year: 2016).*

(Continued)

Primary Examiner — Catherine A Tuttle
(74) *Attorney, Agent, or Firm* — Laurence P. Colton; Carlo Julio Salas Martinez; Smith Tempel Blaha LLC

(57) **CLAIM**

The ornamental design for a cheer stick, as shown and described.

DESCRIPTION

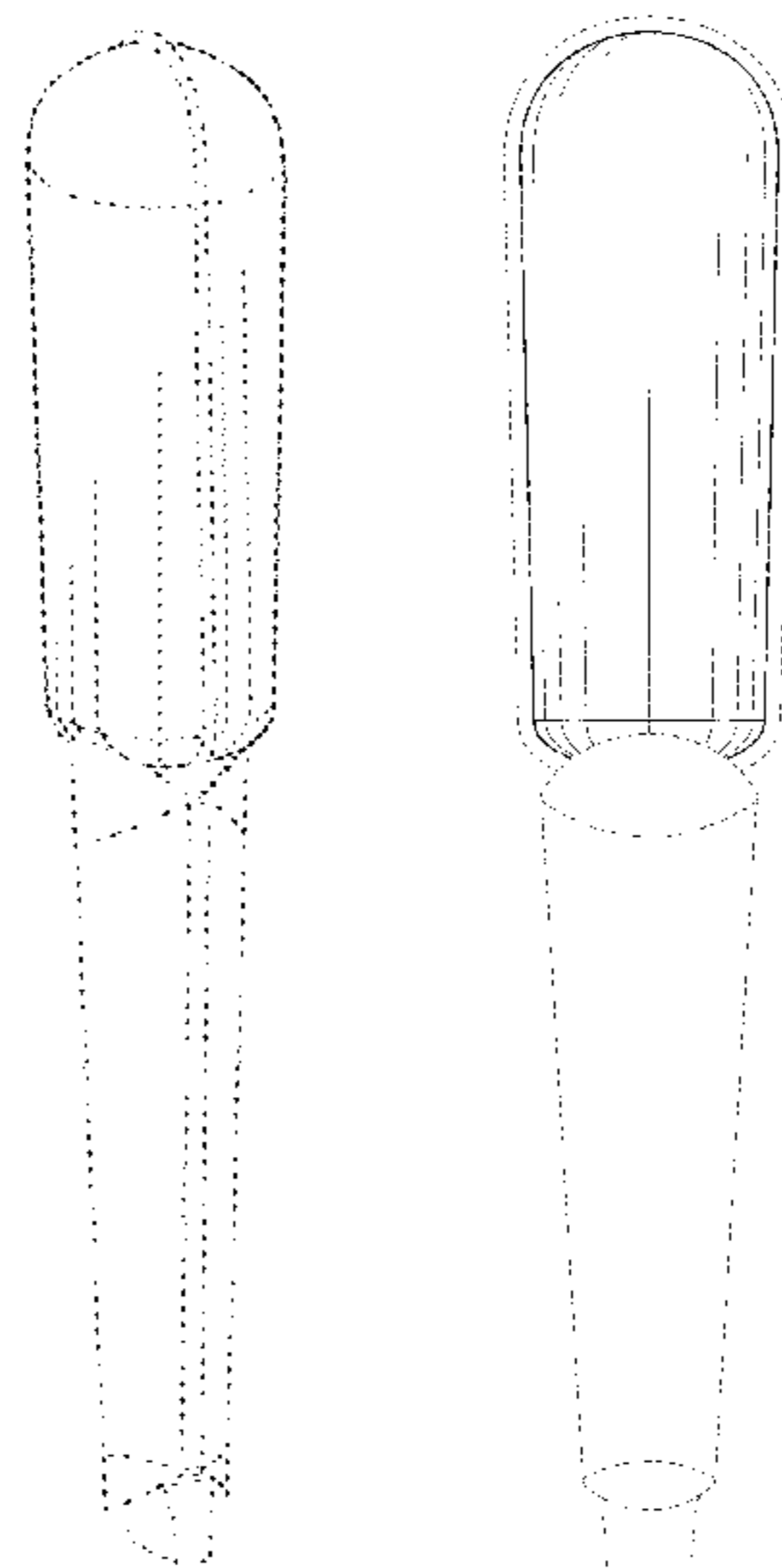
FIG. 1 is a perspective view showing my new design.
FIG. 2 is an elevational view thereof.
FIG. 3 is an elevational view rotated 90 degrees from FIG. 2.
FIG. 4 is a top plan view thereof; and,
FIG. 5 is a bottom plan view thereof.
The broken lines are included for the purpose of illustrating portions of the article that forms no part of the claimed design.

1 Claim, 2 Drawing Sheets

(56) **References Cited**

U.S. PATENT DOCUMENTS

D22,357 S * 4/1893 Hall D9/416
1,014,302 A * 1/1912 Hawley A63H 5/00
446/193
2,177,211 A * 10/1939 Fulton A63H 5/00
446/202



(56)

References Cited

U.S. PATENT DOCUMENTS

2,436,684 A * 2/1948 Annis A63H 27/10
446/187
D197,075 S * 12/1963 Acevedo D21/725
D254,440 S * 3/1980 Reinhard D21/725
4,268,030 A * 5/1981 Richards A63H 15/06
446/226
D290,729 S * 7/1987 Einhorn D21/725
5,254,026 A * 10/1993 Kaiser A63H 27/10
206/522
D385,932 S * 11/1997 Barton D21/466
D386,224 S * 11/1997 Seagren D21/400
D398,803 S * 9/1998 Motes D12/168
D430,230 S * 8/2000 Hwang D21/440
D529,557 S * 10/2006 Greenwald D11/166
D552,188 S * 10/2007 Rapp D21/439
D622,792 S * 8/2010 Lake D21/725
D638,502 S * 5/2011 Paul D21/568
D662,150 S * 6/2012 Sanges D21/398
2001/0009837 A1 * 7/2001 Teunenbrock A63H 37/00
446/69
2004/0157525 A1 * 8/2004 Epstein A63H 5/00
446/220
2007/0049158 A1 * 3/2007 Chou A63H 27/10
446/220
2007/0249259 A1 * 10/2007 Pham A63H 5/00
446/224
2008/0045117 A1 * 2/2008 Marin Hernandez .. A63H 27/10
446/220
2008/0051003 A1 * 2/2008 Horn A63H 33/009
446/473
2016/0023122 A1 * 1/2016 Brown A63H 5/00
446/220

FOREIGN PATENT DOCUMENTS

FR 1491503 A * 8/1967 A63H 5/00
GB 236778 A * 7/1925 A63H 5/00
KR 20040100868 A * 12/2004
WO WO-02066132 A1 * 8/2002 A63H 27/10
WO WO-03076035 A1 * 9/2003 A63H 27/10

OTHER PUBLICATIONS

Webpage with heading: List of Companies in world wide. HypeFan company description (2 pages). http://www.listofcompaniesin.com/Hypefan_Company_2851621.html [accessed on Mar. 1, 2018] (Year: 2018).*

Product image copied from webpage: <https://www.facebook.com/Hypefanatic> dated Feb. 9, 2016. [accessed Mar. 1, 2018] (Year: 2016).*

HypeStick in New York City, video posted on webpage: <https://vimeo.com/148379431>. Upload date: Dec. 9, 2015 [accessed on Mar. 1, 2018] (Year: 2018).*

HypeFan for Fanatics Only—promo shown on webpage: <https://web.archive.org/web/20141227081935/http://www.hypefan.com/#expand>. Internet Archive capture date: Dec. 27, 2014 [accessed Mar. 1, 2018] (Year: 2014).*

HypeFan Promo posted on webpage: <https://vimeo.com/114877798>, Upload date: Dec. 18, 2014 [accessed Mar. 1, 2018] (Year: 2014).*

Publistix.com, Welcome to Publistix.com, underlying text and images shown on webpage: <https://web.archive.org/web/20090308080531/http://publistix.com/>. Internet Archive capture date: Mar. 8, 2009 [accessed Aug. 7, 2018] (Year: 2009).*

Wikipedia® entry on Thundersticks, <https://en.wikipedia.org/wiki/Thundersticks>. [Accessed Aug. 7, 2018] (Year: 2018).*

* cited by examiner

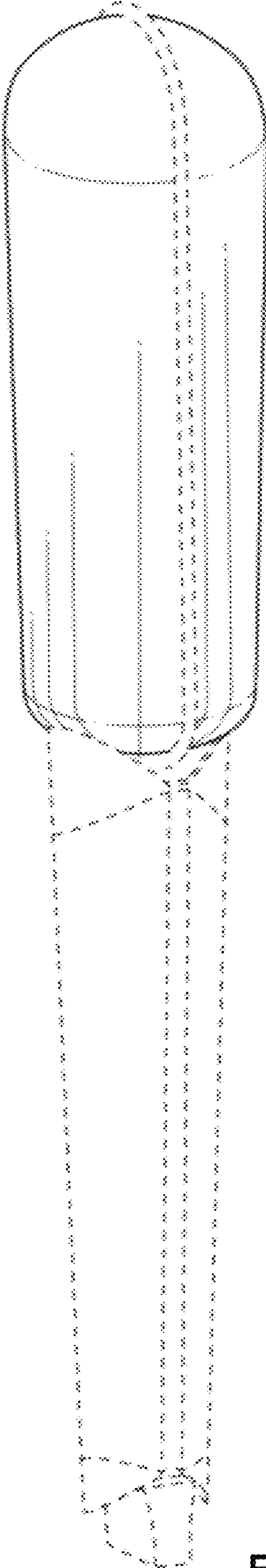


FIG. 1

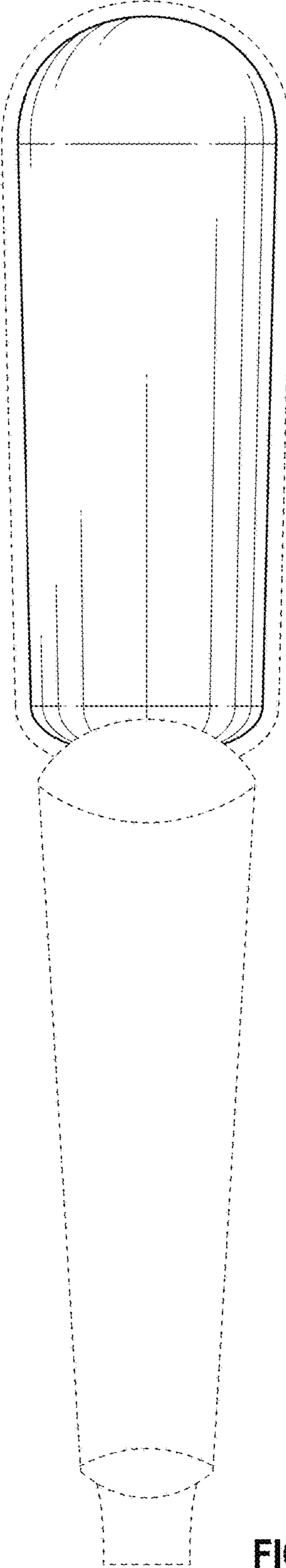


FIG. 2

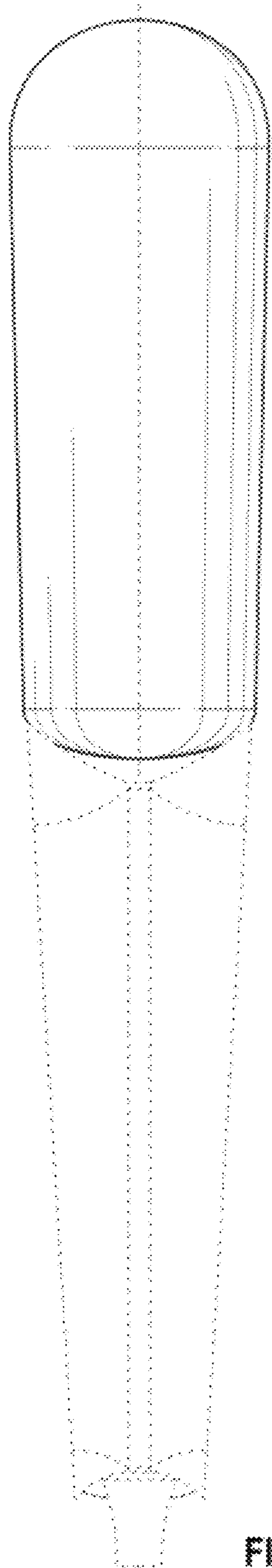


FIG. 3

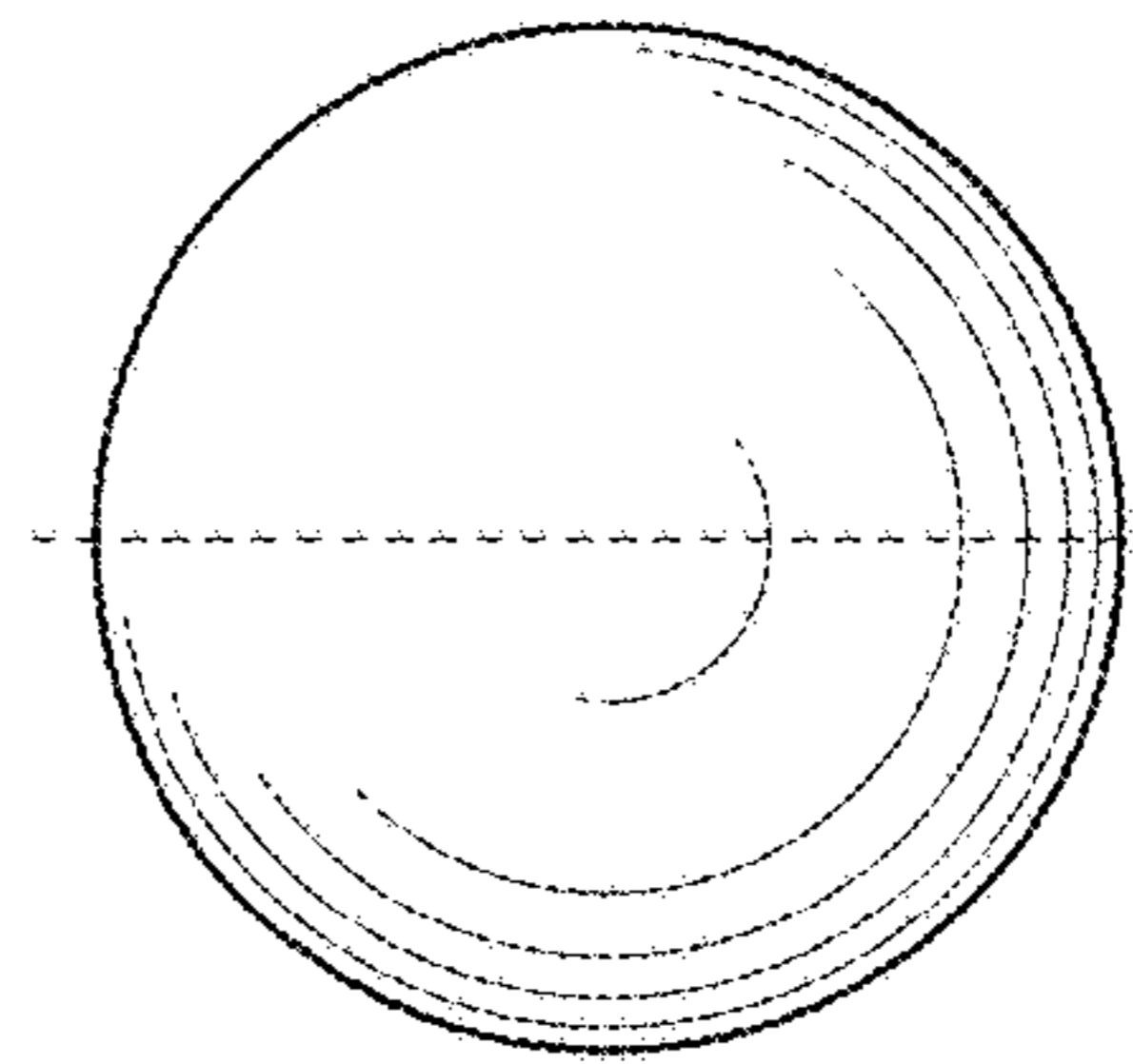


FIG. 4

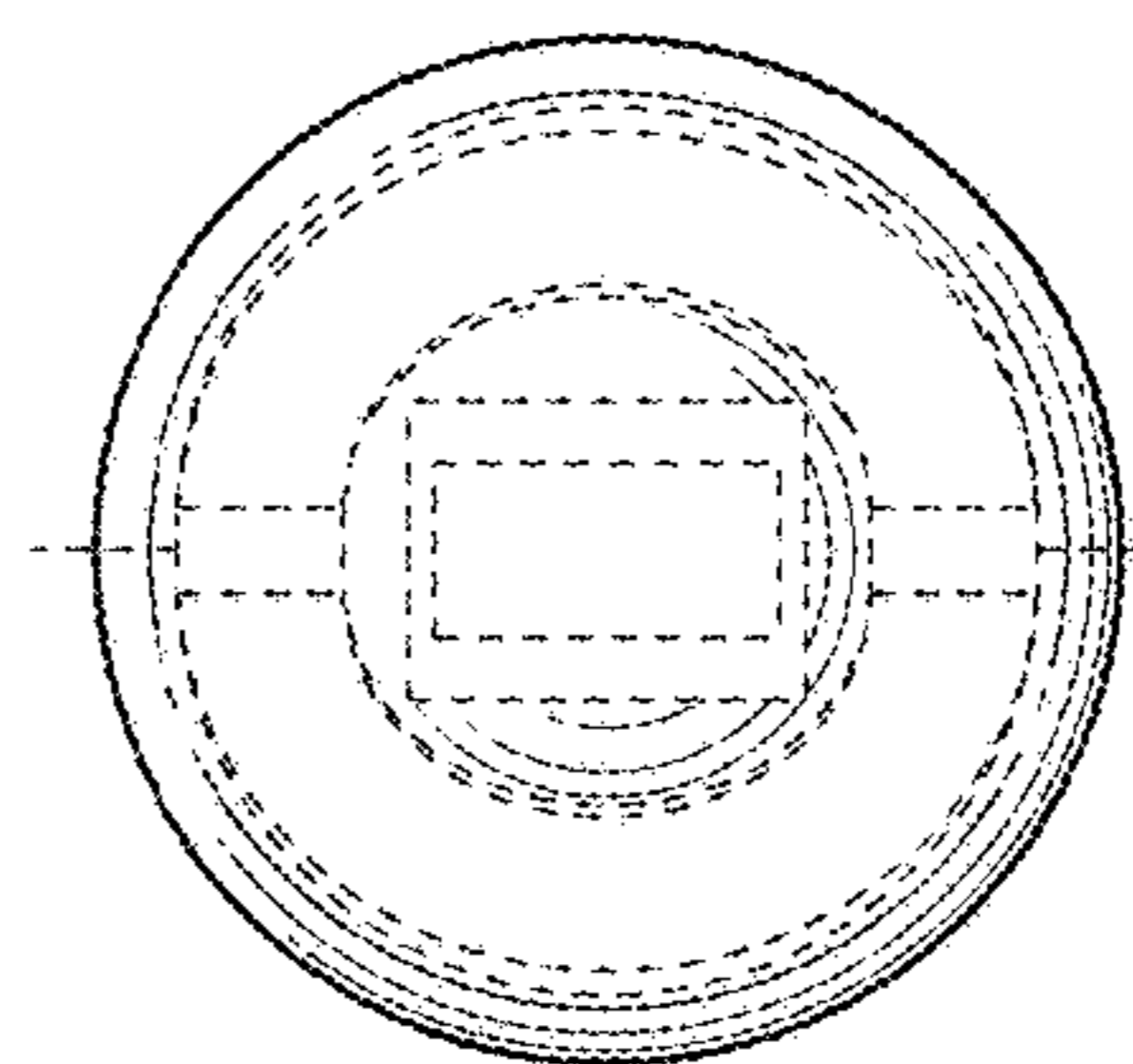


FIG. 5