



US00D838781S

(12) **United States Design Patent**  
**Basha**

(10) **Patent No.:** **US D838,781 S**

(45) **Date of Patent:** **\*\* Jan. 22, 2019**

- (54) **SIGNAGE**
- (71) Applicant: **TSS Inc**, Warren, MI (US)
- (72) Inventor: **Ismael Basha**, Warren, MI (US)
- (73) Assignee: **TSS INC**, Warren, MI (US)
- (\*\*) Term: **15 Years**
- (21) Appl. No.: **29/582,828**
- (22) Filed: **Oct. 31, 2016**
- (51) **LOC (11) Cl.** ..... **20-03**
- (52) **U.S. Cl.**  
USPC ..... **D20/39**
- (58) **Field of Classification Search**  
USPC ... D20/10, 11, 22-25, 27-29, 31, 39-43, 99  
CPC .. G09F 21/026; G09F 2021/023; G09F 21/02;  
G09F 2003/0208; G09F 2003/0264; G09F  
7/00; G09F 3/206; G09F 13/00; G09F  
2007/1807; G09F 13/04; G09F  
2013/0427; G09F 2013/0495; G09F 1/00;  
G09F 1/02; G09F 2003/023; G09F  
2003/0261; G09D 3/00  
See application file for complete search history.

- 6,946,975 B2 \* 9/2005 Hansler ..... B64F 1/18  
340/947
- 7,635,214 B2 \* 12/2009 Perlo ..... G09F 19/22  
362/551
- D616,502 S \* 5/2010 Kulikoff ..... D20/10
- D620,531 S \* 7/2010 Allen ..... D20/19
- D647,970 S \* 11/2011 Strempack ..... D20/10
- D664,600 S \* 7/2012 Clark ..... D20/41
- D672,475 S \* 12/2012 Phillips ..... D20/10
- D695,837 S \* 12/2013 Lueken ..... D20/19
- D703,271 S \* 4/2014 Lueken ..... D20/19
- D744,042 S \* 11/2015 Kreindel ..... D20/99
- D745,929 S \* 12/2015 Clark ..... D20/43
- D751,648 S \* 3/2016 Gongola ..... D20/41
- D781,445 S \* 3/2017 McCue ..... D20/19

(Continued)

*Primary Examiner* — Mary Ann Calabrese

*Assistant Examiner* — Sloan Rozin

(74) *Attorney, Agent, or Firm* — L.C. Begin & Associates, PLLC

(57) **CLAIM**

I claim the ornamental design for a signage, as shown and described.

**DESCRIPTION**

FIG. 1 is a front perspective view of a signage in accordance with the disclosure.

FIG. 2 is a rear perspective view of a signage in accordance with an the disclosure.

FIG. 3 is a front view of a signage in accordance with an the disclosure.

FIG. 4 is a top view of a signage in accordance with an the disclosure,

FIG. 5 is a side view of a signage in accordance with an the disclosure,

FIG. 6 is an opposed side view of a signage, relative to FIG. 5, in accordance with an the disclosure; and,

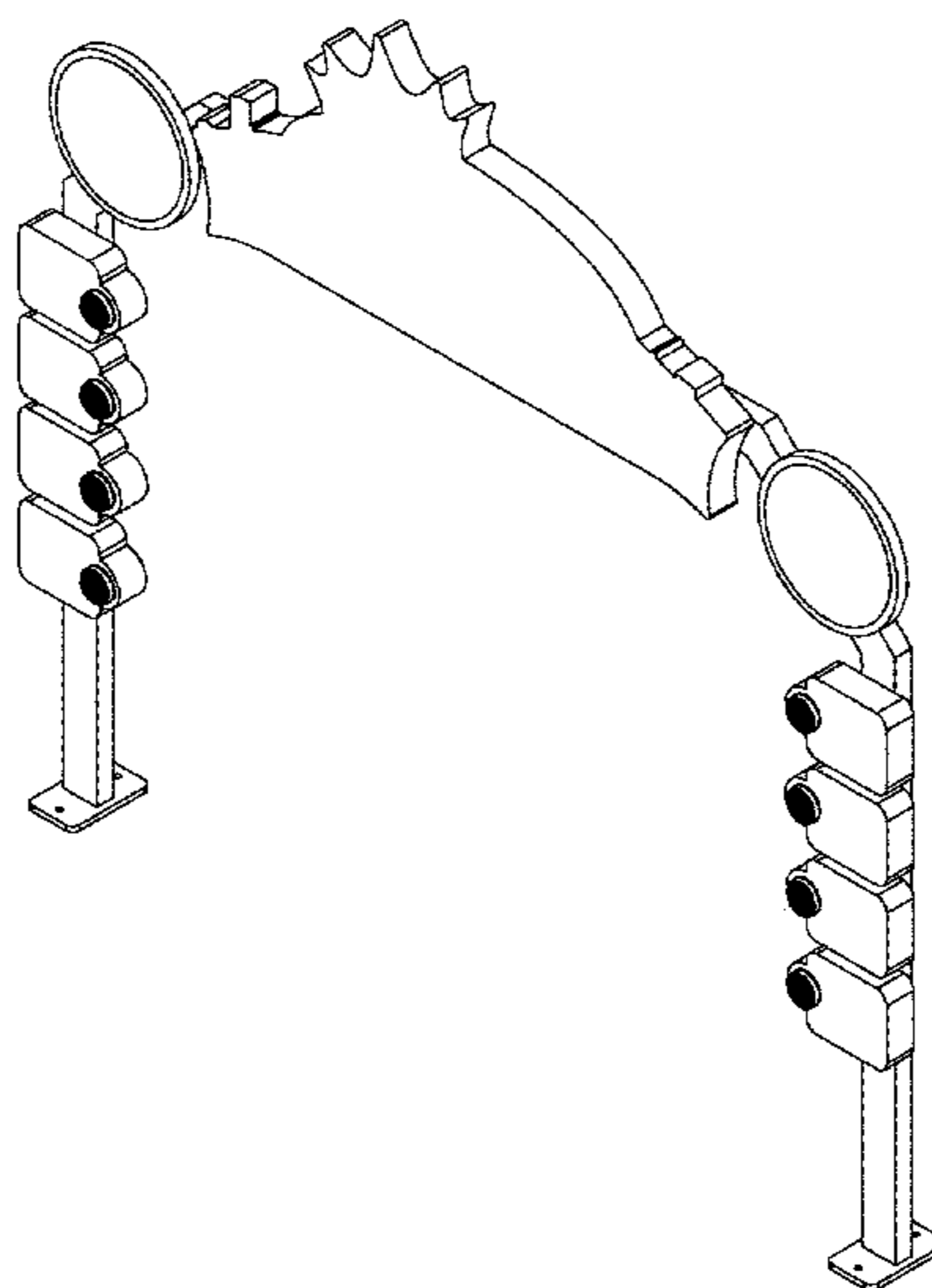
FIG. 7 is a rear view of a signage in accordance with an the disclosure.

**1 Claim, 5 Drawing Sheets**

(56) **References Cited**

U.S. PATENT DOCUMENTS

- 1,470,522 A \* 10/1923 Coyle ..... G09F 15/0006  
40/624
- D77,528 S \* 1/1929 Brumbaugh ..... D20/41
- 2,806,308 A \* 9/1957 Curell ..... G09F 7/00  
40/624
- 2,865,124 A \* 12/1958 Mortellito ..... G09F 15/0068  
40/605
- 4,263,738 A \* 4/1981 Donatelle ..... G09F 15/0012  
40/606.18
- D433,713 S \* 11/2000 Olivetti ..... D20/10
- D457,918 S \* 5/2002 Linko, Sr. .... D20/10
- D500,812 S \* 1/2005 Nudo, Jr. .... D20/41



(56)

**References Cited**

U.S. PATENT DOCUMENTS

D785,097 S \* 4/2017 Fiore ..... D20/38  
D825,004 S \* 8/2018 Hardeman ..... D20/43

\* cited by examiner

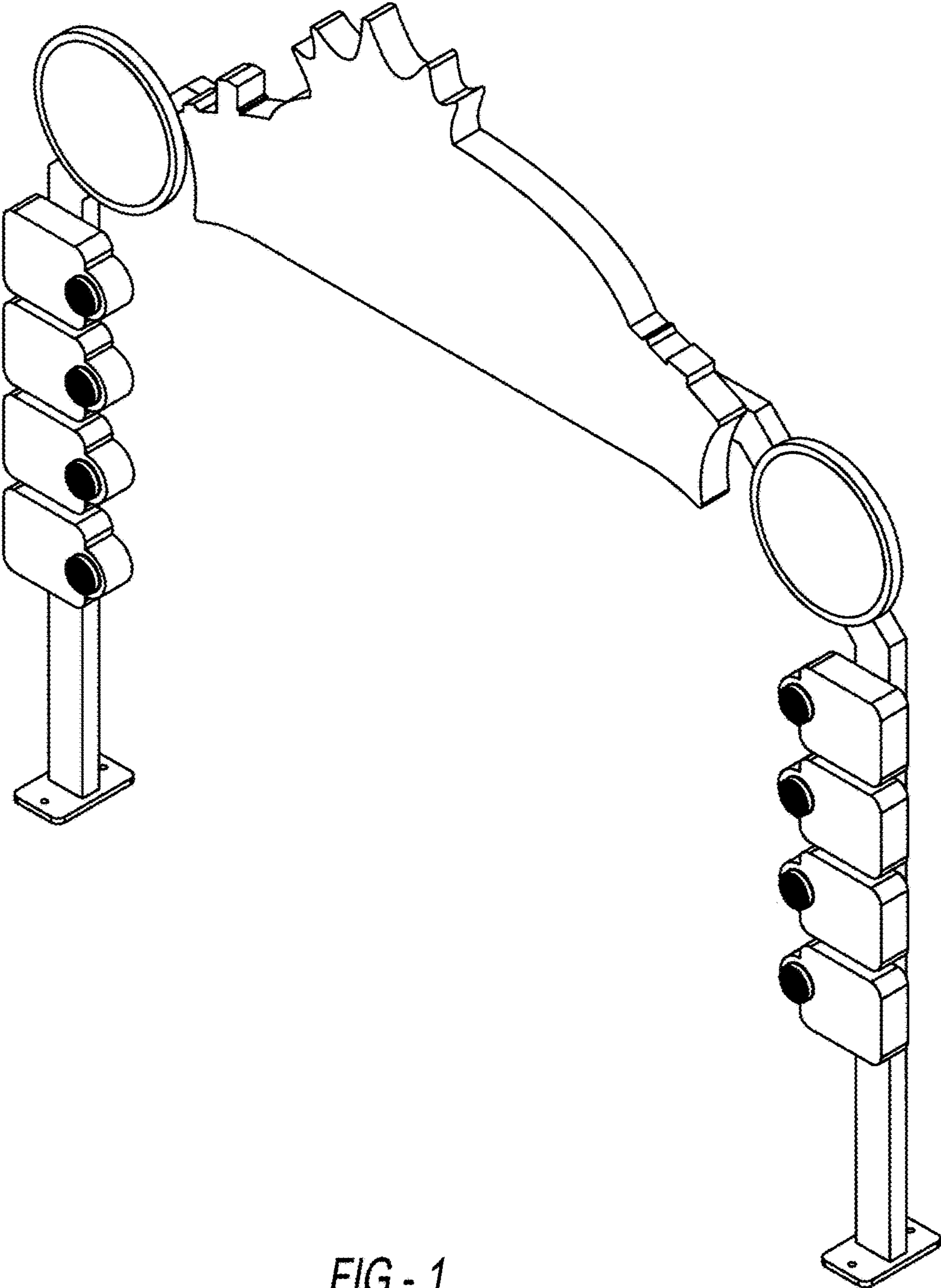


FIG - 1

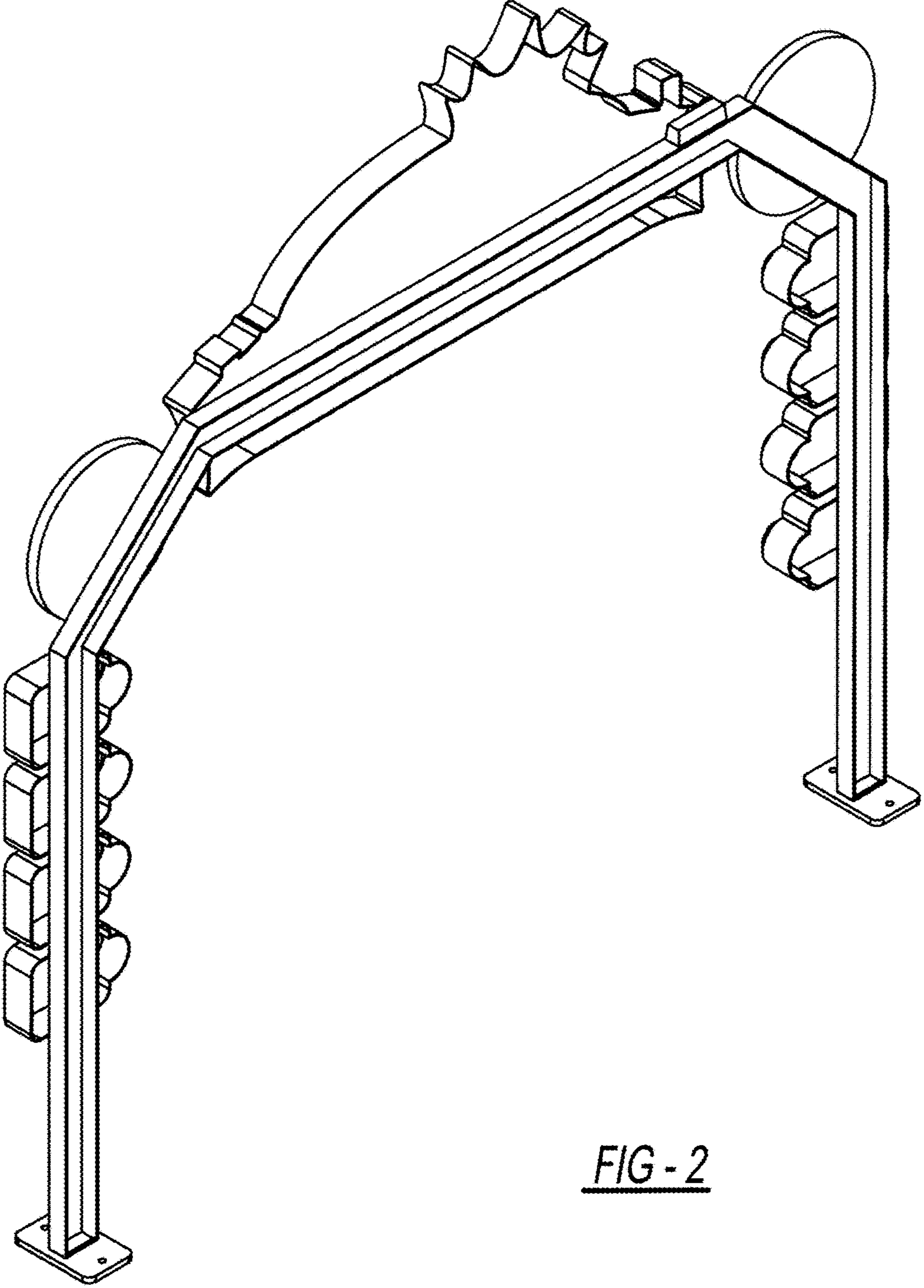


FIG - 2

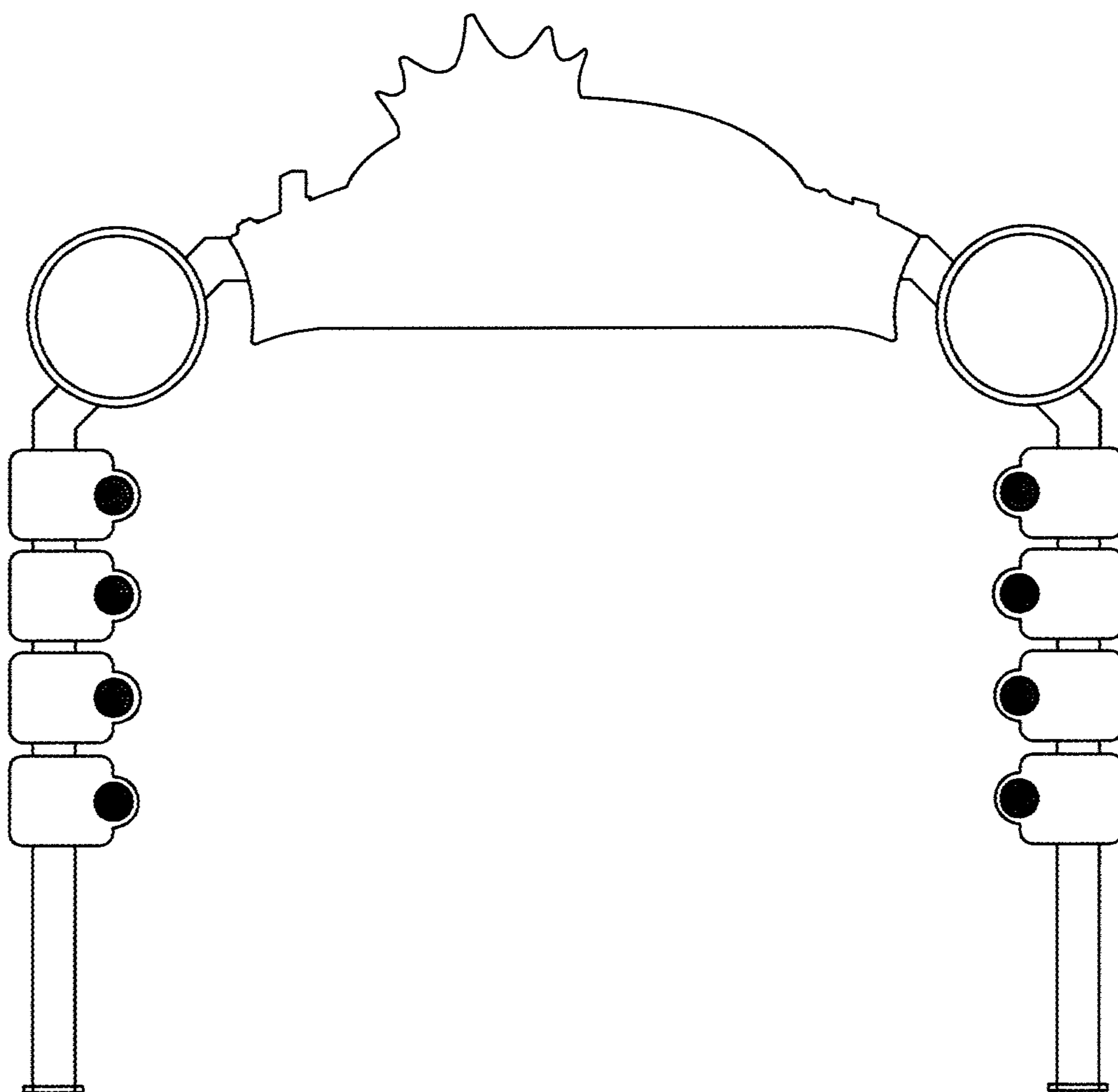


FIG - 3



FIG - 4

FIG - 5

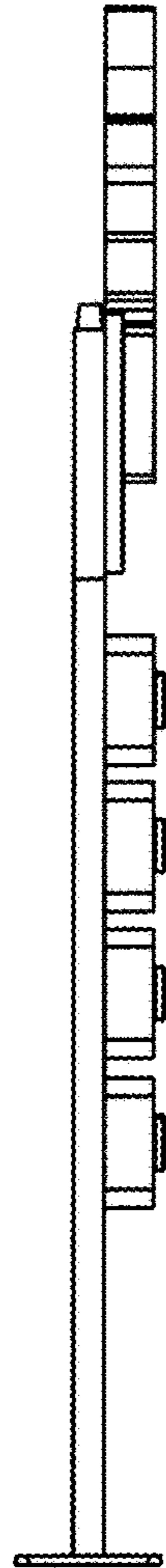
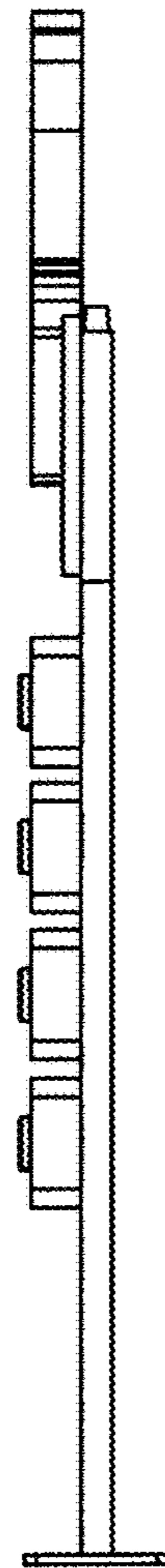


FIG - 6





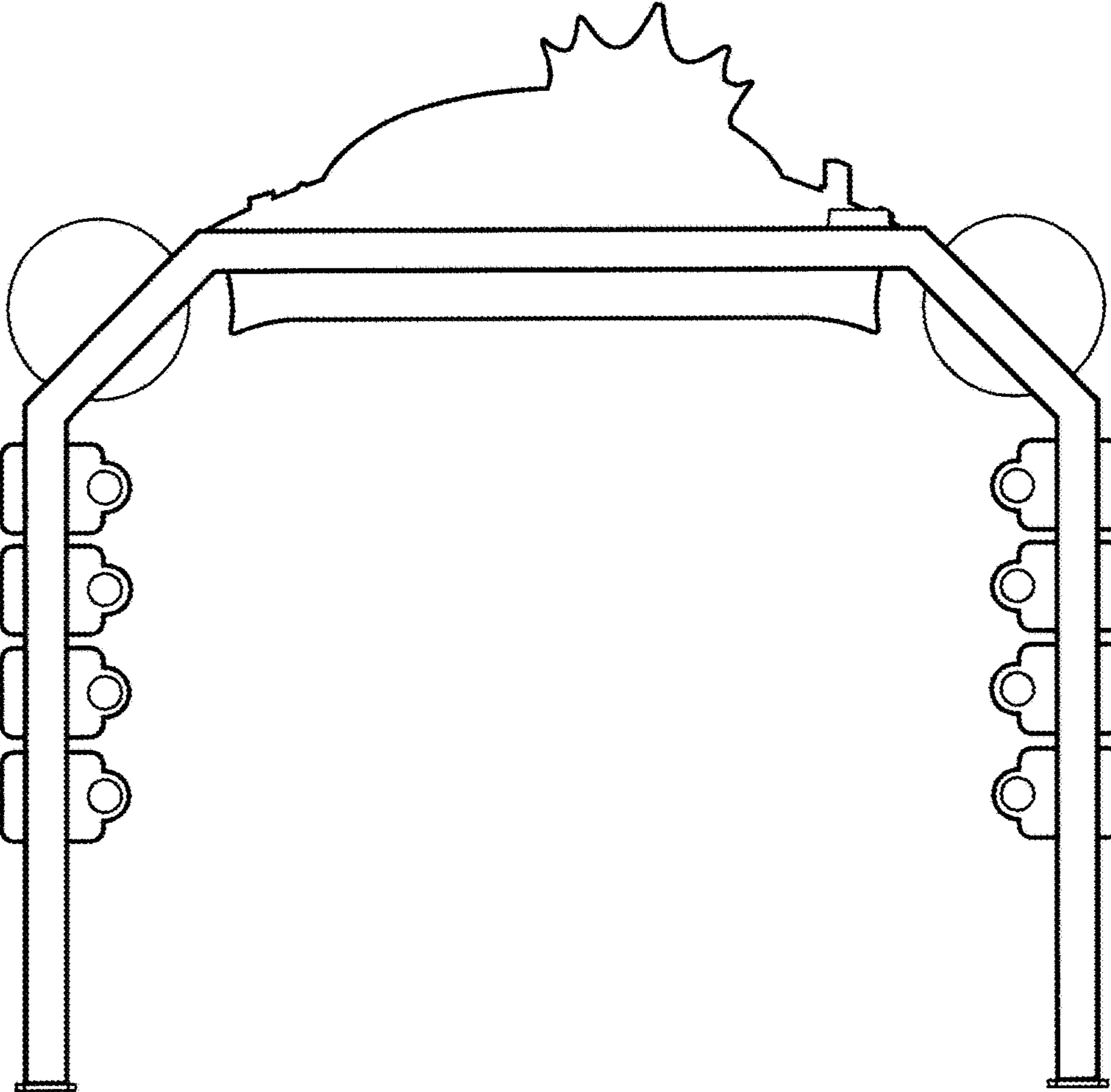


FIG - 7